

## BLT Series

BLT is mainly used on the single mode transmission line and is a optical passive device combining the optical signal with two wavelength into a fiber.

### Description

- High wavelength isolation, low PDL
- Stable environmental performance and good directivity
- Many configurations provided
- Wide wavelength range and good directivity
- Cable O.D.:  $\phi 0.25$ ,  $\phi 0.9$ ,  $\phi 3$
- Applicable standard : YD/T1117

Applications:

- Optical fiber communication networks
- Test equipment, EDFA
- Optical CATV, FTTH
- BLT networks, optical fiber sensors

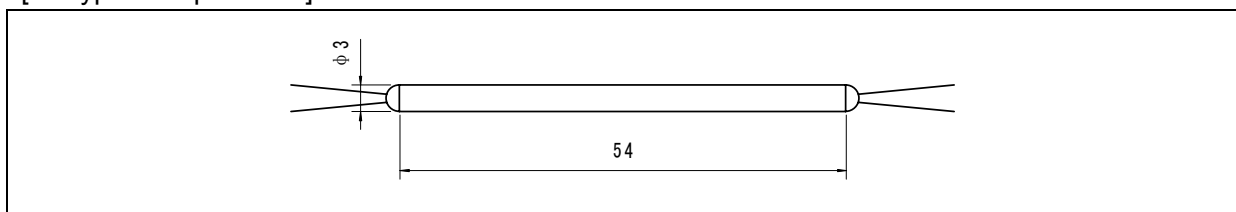
### Performance

Item	BLT Type A	BLT Type B
Operating wavelength (nm)	1310/1550	1480/1550
Operating bandwidth (nm)	$\pm 15$	$\pm 5$
Wavelength isolation (dB)	$\geq 18$	$\geq 15$
Directivity (dB)	$\geq 55$	
Operating temperature ( $^{\circ}\text{C}$ )	$-40 \sim +85$	
Max. optical power (mW)	300	

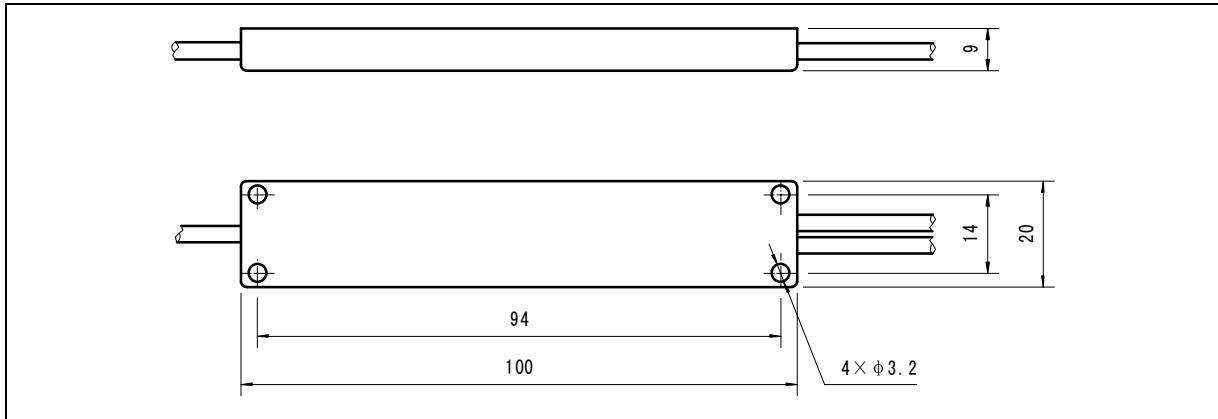
### Outline dimension

BLT has three encapsulation structures: type A (A designates ABS plastic and A1 designates aluminum alloy), type B (B designates ABS plastic and B1 designates aluminum alloy), type D1 (tube encapsulation) and type F (adapting box encapsulation)

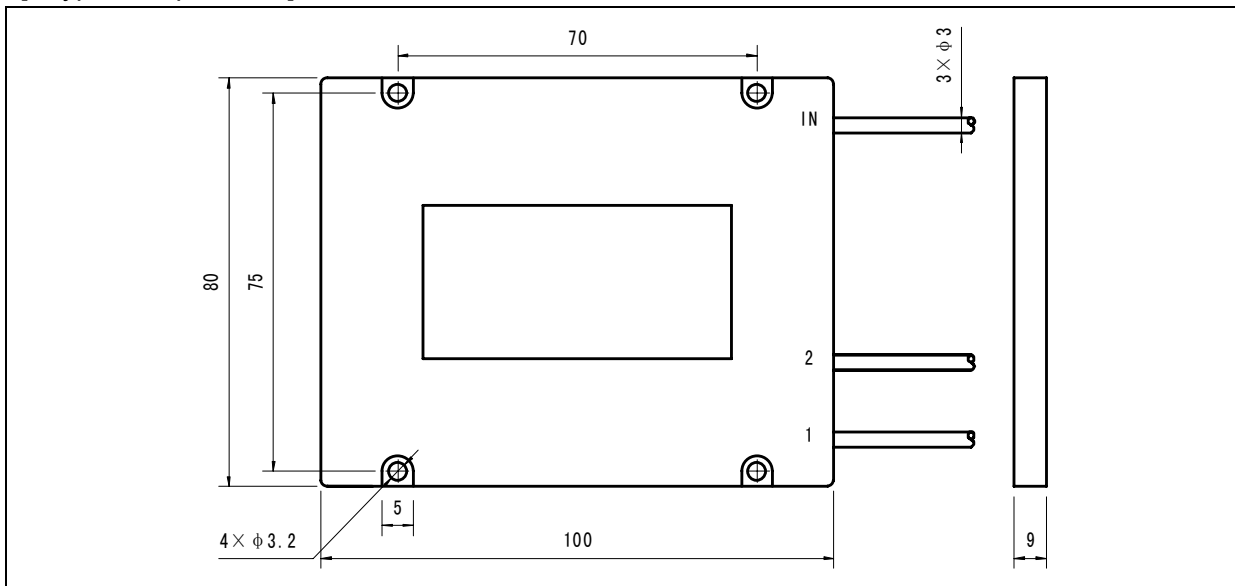
[D1 type encapsulation]



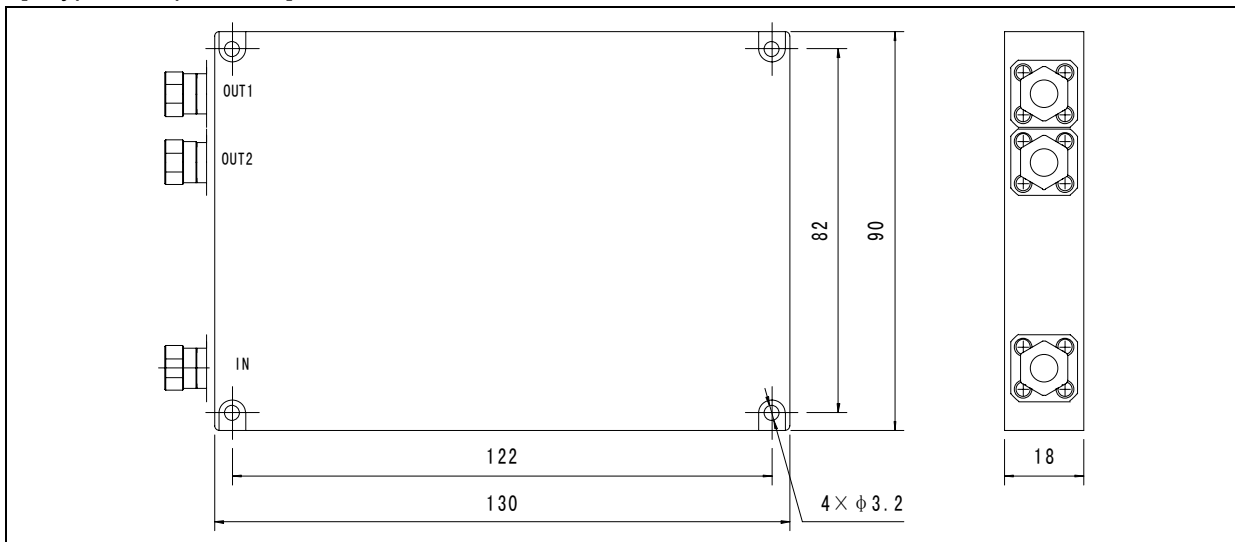
[A type encapsulation]

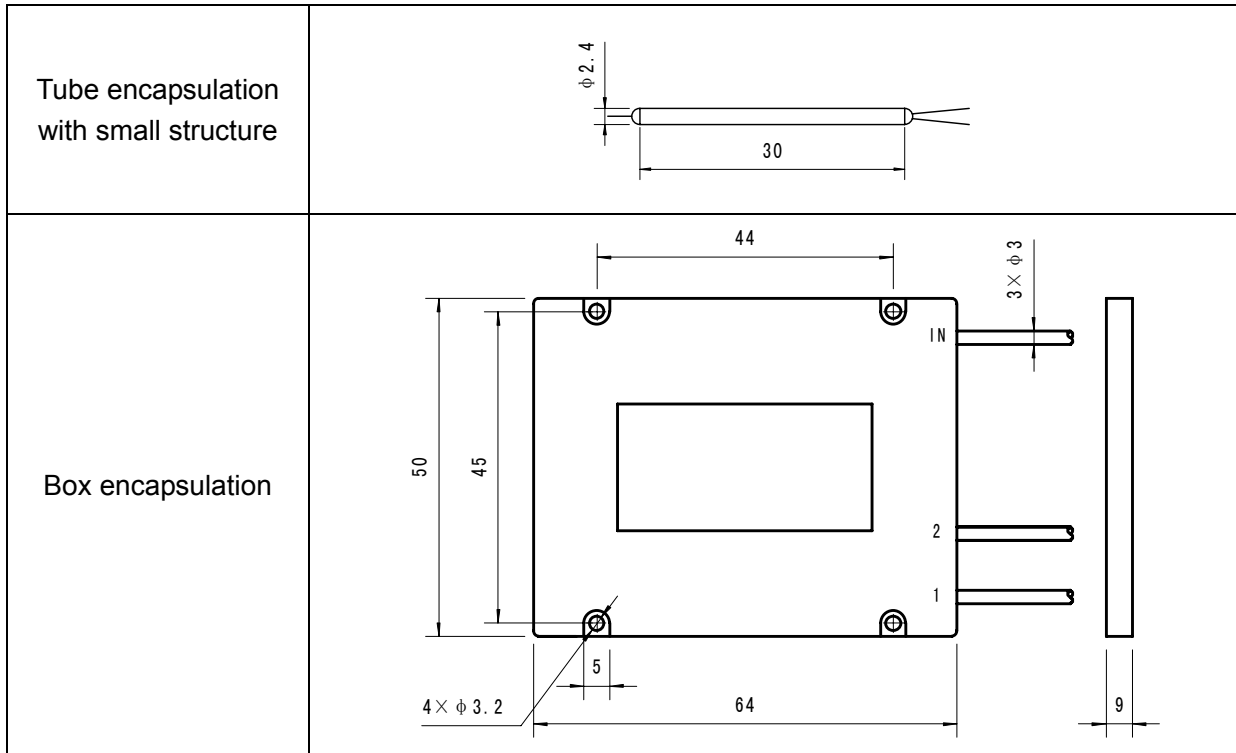


[B type encapsulation]



[F type encapsulation]





**Ordering information**

Basic series	BLT	13	15	- Φ0.9	2	/2	-FC	*2FC	A
Multiplexer wavelength 1	See table 1								
Multiplexer wavelength 2	See table 1								
Outer dia. of pigtail	0.9 – fiber with Φ0.9 diameter; 2 – Φ2 diameter; 3 – Φ3 diameter (unit: mm) If the input and output are adapting type, it is blank.								
The length of pigtail on input end	The length of pigtail on input end (unit: mm). If the input is adapting type, it is blank.								
The length of pigtail on output end	The length of pigtail on output end (unit: mm). If the output is adapting type, it is blank.								
Optical fiber plug on input end	Quantity: Blank-1 Type: FC and SC, etc or in accordance with customer's requirement								
Optical fiber plug on output end	Quantity: Blank-1 Type: FC and SC, etc or in accordance with customer's requirement								
Encapsulation	See table 2 for encapsulation type and dimension								

Table 1 Operating wavelength (nm)

BLT	1315=1310/1550    9815=980/1550    1415=1480/1550
-----	---------------------------------------------------

Table 2 Encapsulation type and dimension

Type	Dimension
Tube encapsulation	D1= d*I =Φ3*54 (Pigtail is Φ0.25 bare fiber and Φ0.9 optical fiber)
Box encapsulation	A=100*20*9 (ABS)
	A1=100*20*9 (Aluminum alloy)
	B=100*80*9 (ABS)
	B1=100*80*9 (Aluminum alloy)
Adapting box encapsulation	F=130*90*18 (ABS)
	F1=130*90*18 (Aluminum alloy)

[Part number example]

BLT1315-Φ0.9\*2/1-FC\*2SC-A

Designation: 1310/1550 BLT, input and output pigtail diameter is 0.9mm, input is FC plug, the input length is 2m, the output is two SC plugs and the output length is 1m. A type box encapsulation