

SMA Series Optical Fiber Connector and Adapter

Description

- Ceramic ferrule (metal and non-metal), PC polishing
- UL fireproof cable or LSZH cable
- Plastic fiber
- Cable O.D.: $\phi 0.9$, $\phi 2$, $\phi 3$ (SMA)
- Applicable standard: GB12507.2, IEC874-2

Application

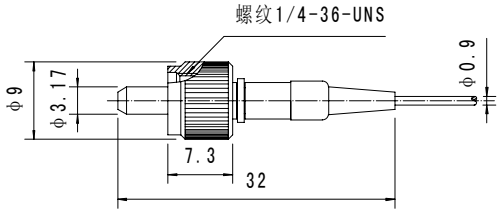
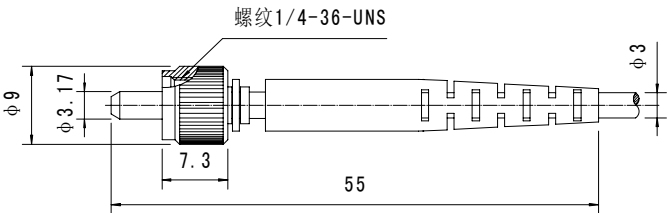
- Data and communication system
- Optical LAN
- Medicine, Industry and Military

Performance

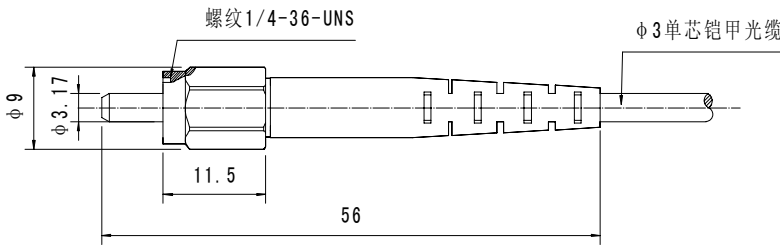
Parameter	Multiple mode SMA plug
Return Loss (dB)	≥ 35
Insertion Loss (dB)	≤ 0.3 (Typical value), ≤ 0.5 (Maximum value)
Durability (cycles)	≥ 1000 (Ceramic ferrule)
Operating Temp. ($^{\circ}\text{C}$)	$-40 \sim +80$ (Metal shell)
Tensile Strength ((N)	$\geq 90(\phi 3)$, $\geq 70(\phi 2)$. The requirement is not applicable to $\phi 0.9$

Outline dimensions

[SMA type optical fiber plug]]

$\phi 0.9$ jacket	
$\phi 2$ ($\phi 3$) jacket	

[SMA armored optical fiber plug]

$\phi 2$ ($\phi 3$) jacket	
------------------------------	--



[SMA type adapter (SMA-A)]

