

PDLC Series Optic Connector

Product brief introduction

- Fastening protection for FNE plug
- Thread coupling and waterproof design
- Convenient operation and quick, reliable coupling
- Interconnect with DLC module

Applications

- Outdoor optic telecommunication network
- Outdoor equipments interconnection

Performances

Parameters	SM
Return Loss (dB)	≥40
Insertion Loss (dB)	≤0.2 (typical) , ≤0.3 (Max.)
Repeatability (dB)	≤0.2
Durability (cycles)	500
Operating Temp. (°C)	-40~+80
Tensile strength (N)	≥350 (Main cable)

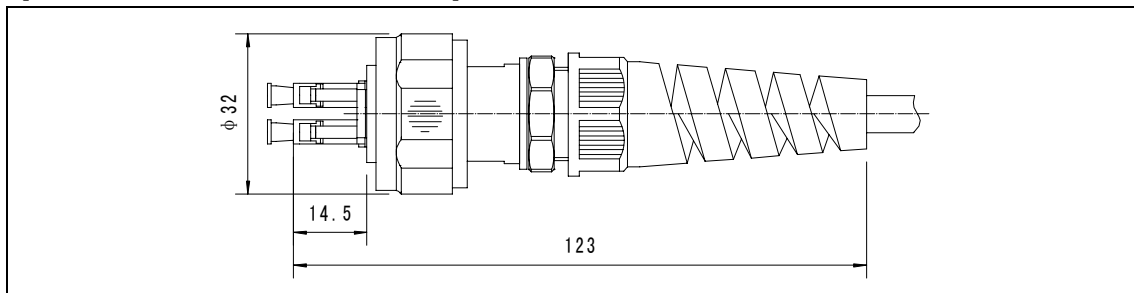
Note:1) Insertion loss is only for the plug and cable itself is counted additionally (SM 0.4dB/km@1310nm);

2) The minimum bending diameter should not be less than 25 times of the fiber/cable diameter.

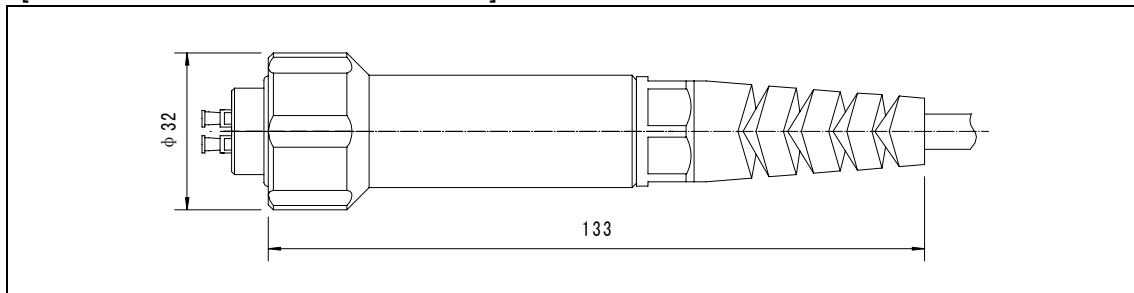
3) Please avoid cashing or bumping them in use, Put on the dust cap immediately after using.

Outline dimensions

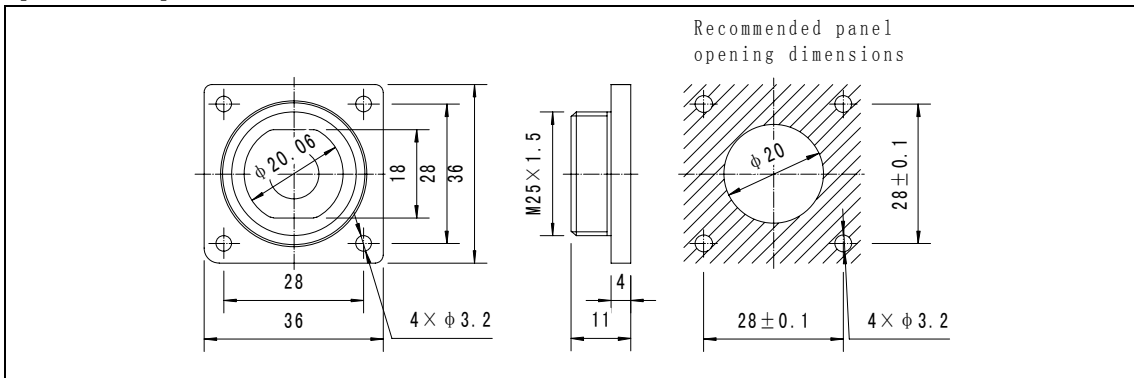
[PDLC03 (mate with PDLC03-A)]



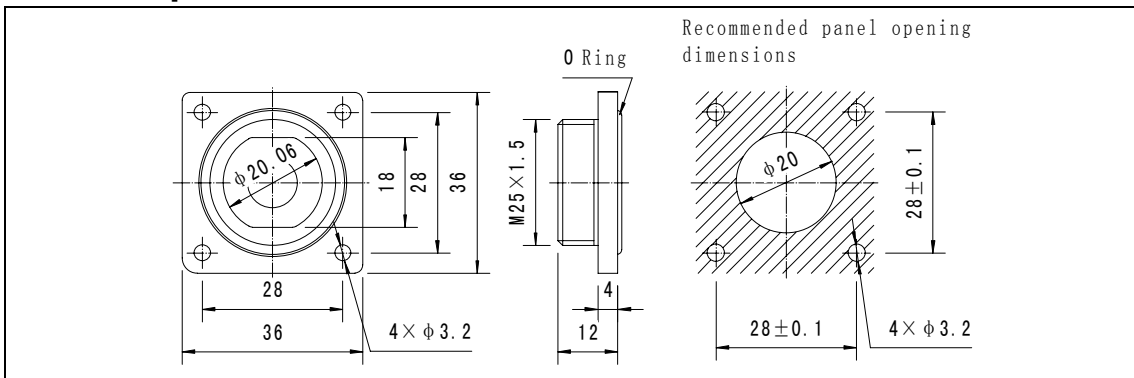
[PDLC03B (mate with PDLC03B-A)]



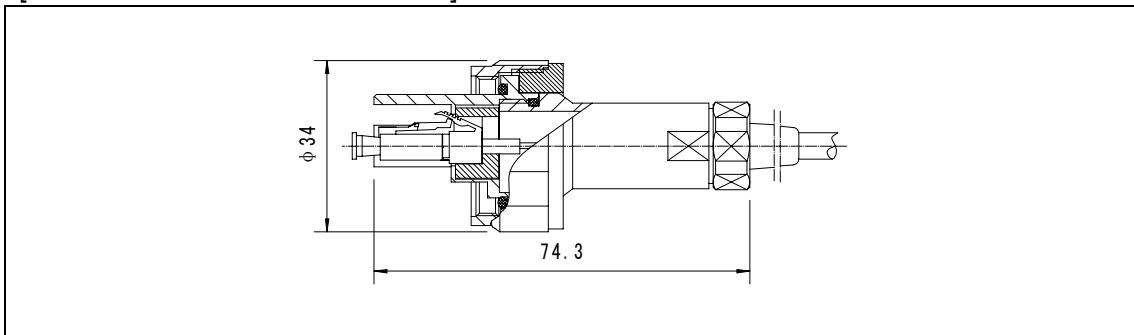
[PDLC03-A]



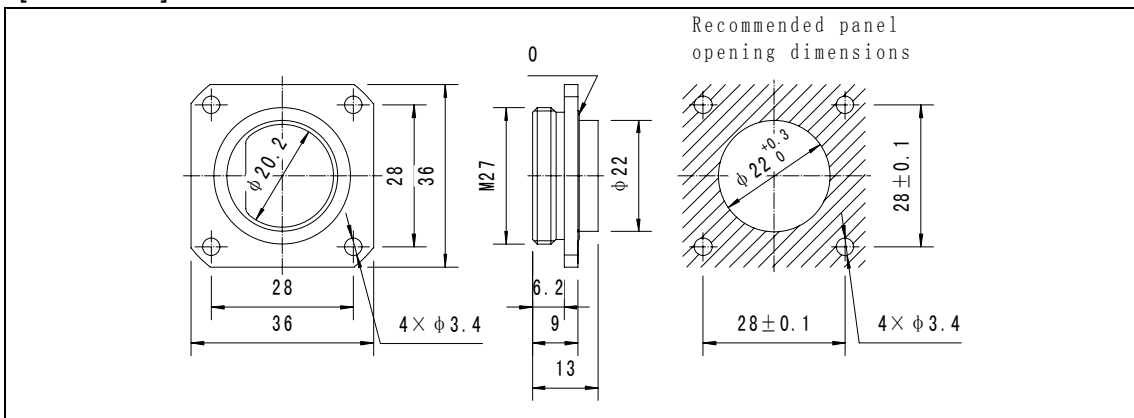
PDLC03B-A]



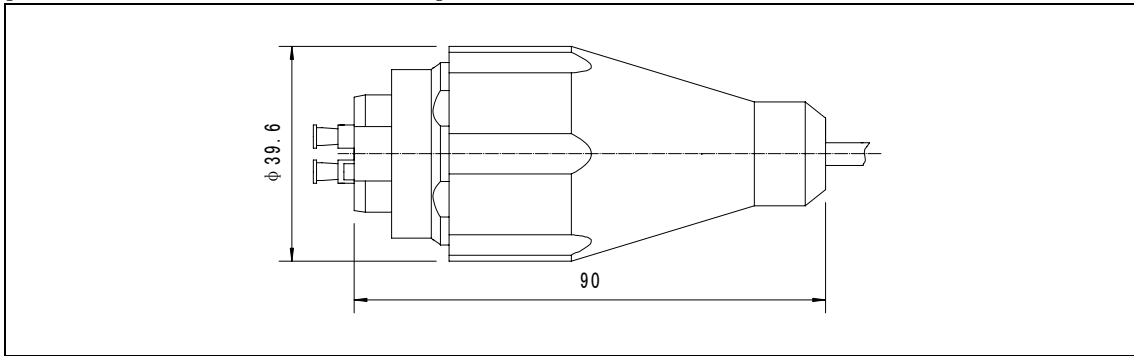
[PDLC05 (mate with PDLC05-A)]



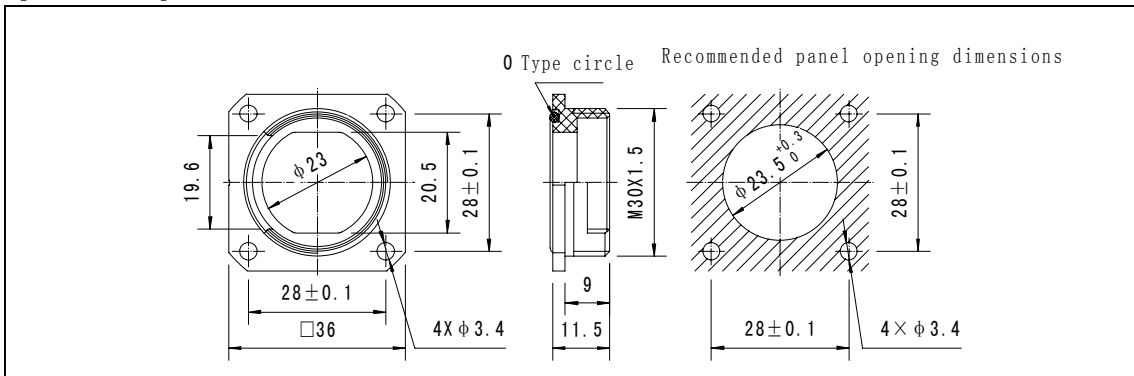
[PDLC05-A]



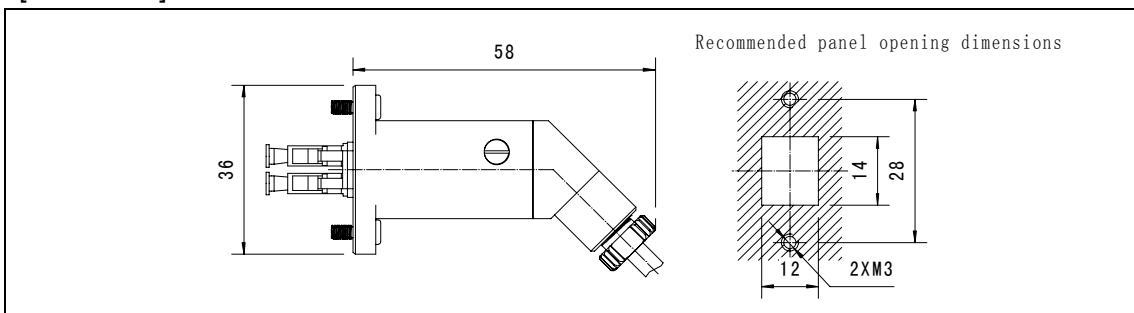
[PDLC06 (mate with PDLC06-A)]



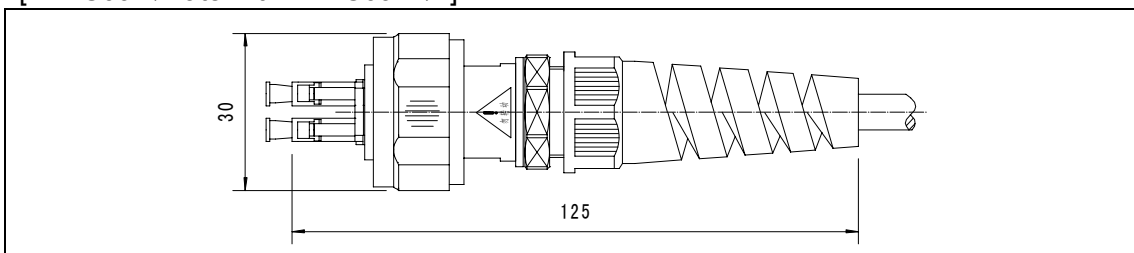
[PDLC06-A]



[PDLC08W]



[PDLC09 (mate with PDLC09-A)]



[PDLC09-A]

