

MTRJ Series Optical Connector & Adapter

Product brief introduction

- Standard plastic body, good interchangeability
- Push-pull mechanism for quick connection and remove
- RJ-45 locking key design for reliable connection
- Simultaneous connecting 2 or 4 fiber, high density installation
- Available to OFNR cable or LSZH cable
- Cable OD.: $\phi 3$ bundle cable, $\phi 3$ ribbon cable, $\phi 2$ parallel cable
- Standard: YD/T1272.2, IEC61754-18, TIA/EIA-604-12

Applications

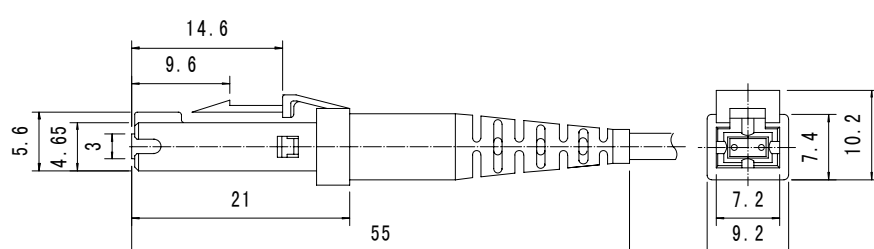
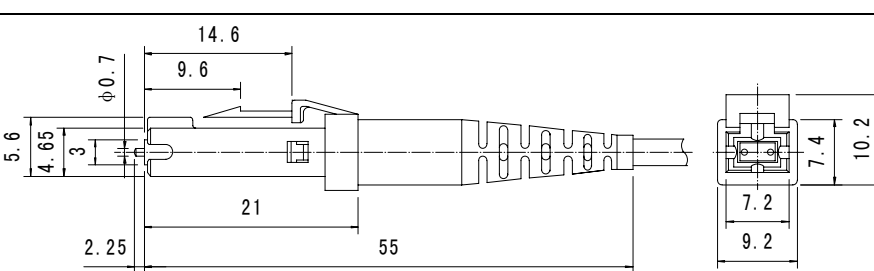
- Data and communication system
- Optical access network (OAN)
- Fiber To The Home (FTTH), Fiber To The Desk (FTTH)
- Integrated photo electricity system

Performances

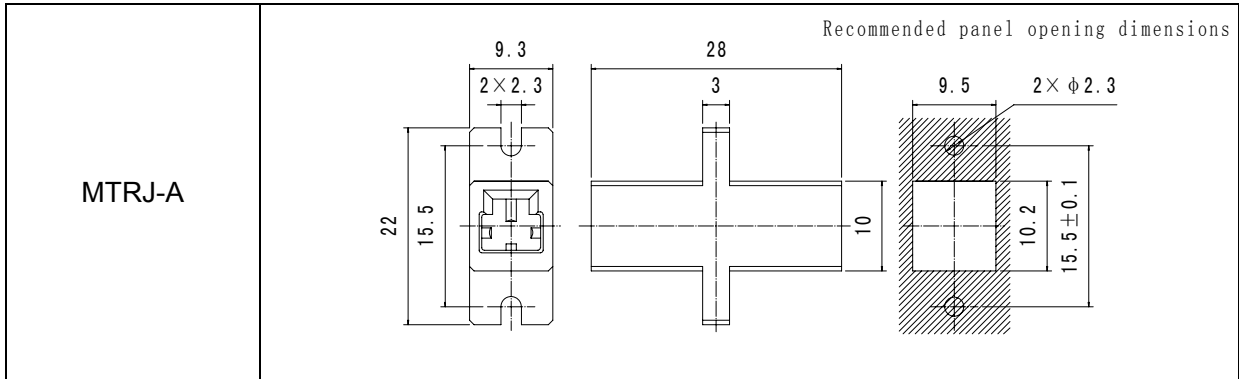
Parameters	plug		Adapter
	SM	MM	
Insertion Loss (dB)	≤ 0.3 (typical), ≤ 0.55 (Max.)	≤ 0.2 (typical), ≤ 0.55 (Max.)	≤ 0.3 (typical)
Return Loss (dB)	≥ 35	≥ 25	/
Durability (cycles)	≥ 500		
Operating Temp. ($^{\circ}\text{C}$)	$-25 \sim +70$		
Tensile strength (N)	≥ 50 , not required for $\phi 0.9$ product.		/
Steady heat damp	Temperature: $+(40 \pm 2)^{\circ}\text{C}$, RH: 90%~95%		

Outline dimensions

[MTRJ optic plug]

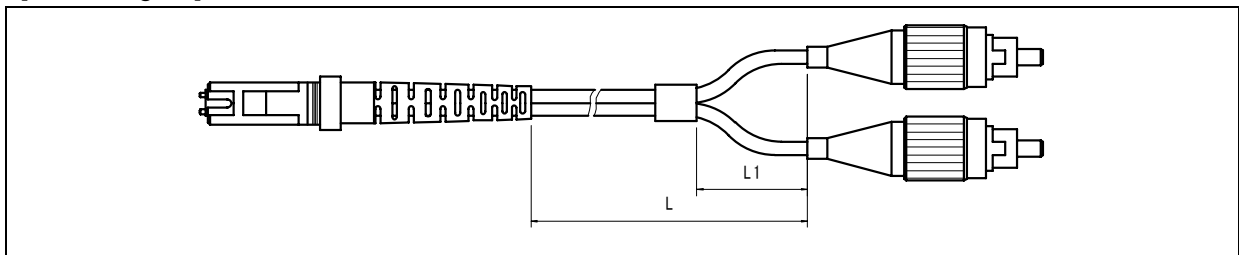
MTRJ pin (without guide pin)	
MTRJ pin (with guide pin)	

[MTRJ adapter]



General Ordering P/N

[Outline figure]



Note: L in the drawing is the overall cable length and L1 is branch cable length.

[Designation]

Basic series	MTRJ	-2FC	-2	S	2	-L	10	/0.3
Plug type and amount at end 1	Amount: omitted for 1 Type: MTRJ and M4/D, provided per user's Requirements							
Plug type and amount at end 2	Amount: omitted for 1 Type: DLC/FC/SC and ST, provided per user's Requirements							
Cable type	2 means parallel cable							
Transmission mode	S—SM9/125 M—MM62. 5/125 MI—MM50/125 MIV—MM50/125 (OM3)							
Optic cable diameter	0.9-Φ0.9mm, 2-Φ2mm, 3-Φ3mm							
Optic cable length mark	L							
Cable overall length	Unit: m							
Branch Cable length	Unit: m							

Explanation: End 1 of the patch cord is MTRJ plug and end 2 has 2 FC plugs. Optic cable is a SM parallel cable with the diameter of $\phi 2\text{mm}$ and overall length of 10m. Branch cable length is 0.3m.