

PLT Series Optical-Electrical Mixed Watertight Connector

Description

- Applicable to deep water environment
- Five key orientation to blind mate and avoid mis-mating
- Thru-bulkhead sealed structure
- Locking design, removal contact
- Ceramic ferrule and sleeve, PC polishing
- High tensile strength

Ordering information

Basic series	PLT 32, 36	Y	2	G	2	Z	M1	-01
Shell size	36, 44... (thread size in mating area)							
Type	T—Plug	Y—Circular flange receptacle						
Number of contact	2—2 contacts							
Optical fiber contact	G							
Electrical contact No.	2—2 contacts							
Electrical contact type	K—socket; Z—pin							
Shell material	M1—Titanium alloy	H1—Stainless steel						
Modification number	01...							

Note: plug and receptacle are ordered in bulk, manufactured in field and designed according to customer's requirements

PLT36 Series

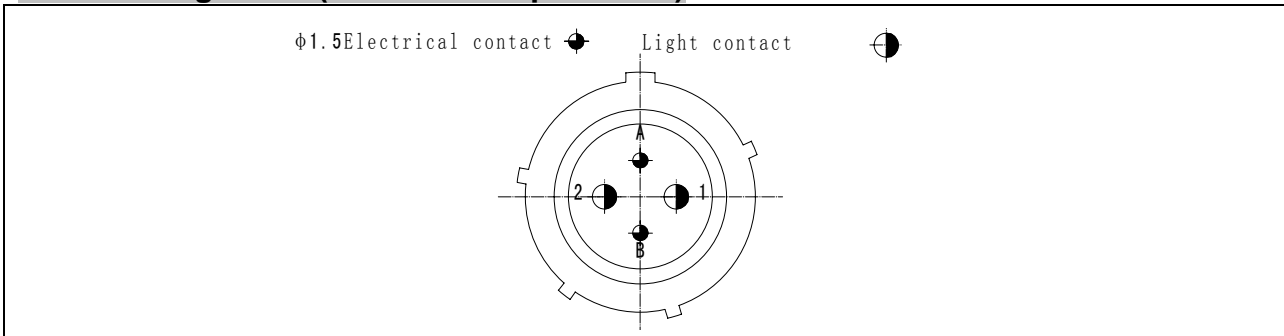
Description

- Titanium alloy, light weight
- Two-channel optical signal and two-channel power signal transmission

Main technical characteristic

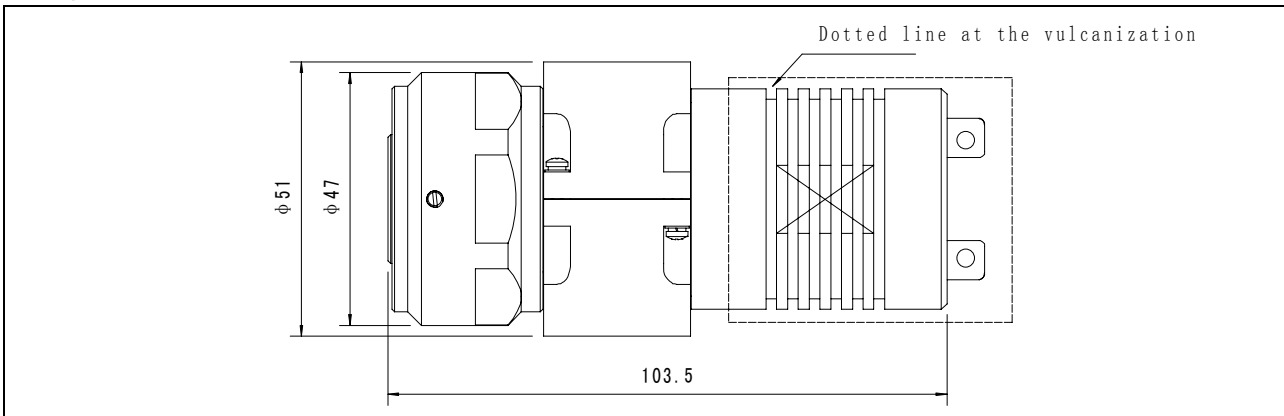
- Insertion loss: $\leq 1.2\text{dB}$
- DC resistance: $\leq 3\text{m}\Omega$
- Insulation resistance: $\geq 1000\text{M}\Omega$
- Withstanding voltage: $\geq 2000\text{V}$
- Vibration: $10\text{Hz}\sim 500\text{Hz}$, acceleration: 98m/s^2
- Rated current: 5A ; (only for connector)
- Water pressure resistance: $\geq 4.5\text{MPa}$
- Shock: 735m/s^2
- Durability: 300 cycles
- Tensile strength (plug): pull apart force $\geq 50\text{KN}$; Working pull force $\geq 25\text{KN}$

Insert arrangement (Front face of pin insert)

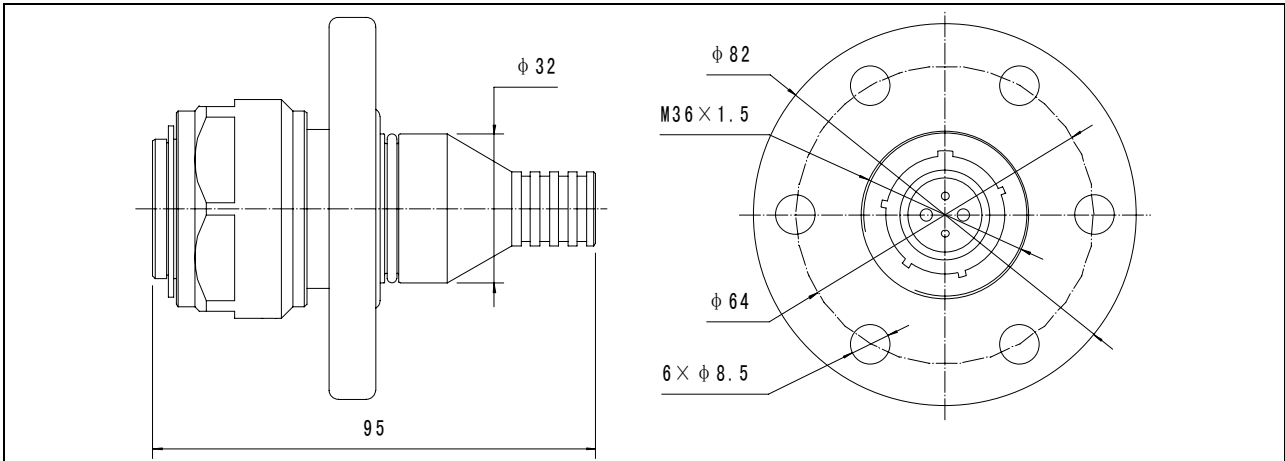


Outline dimensions

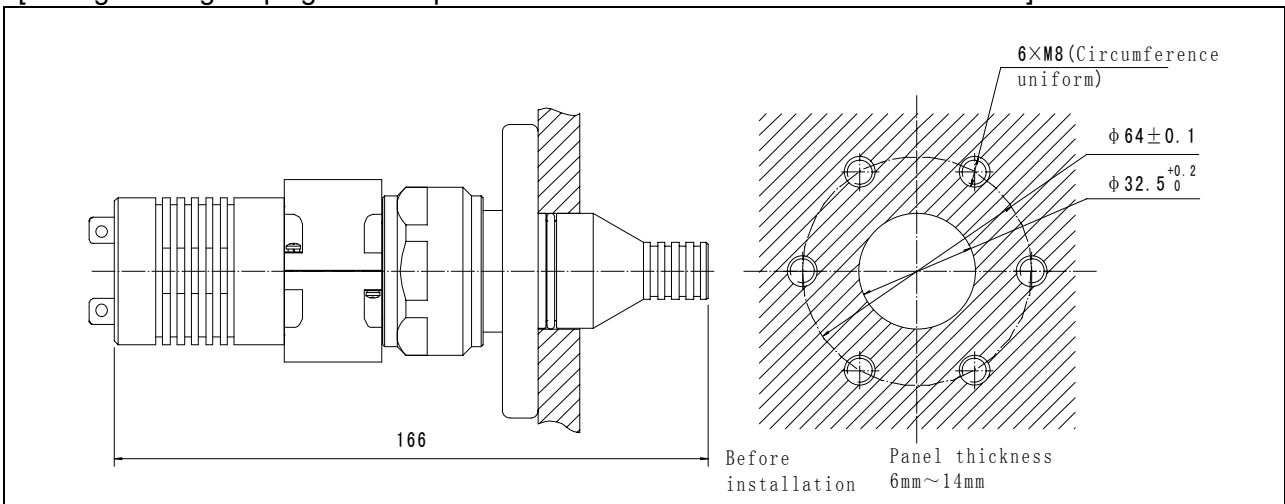
[Plug (PLT36T2G2KM1)]



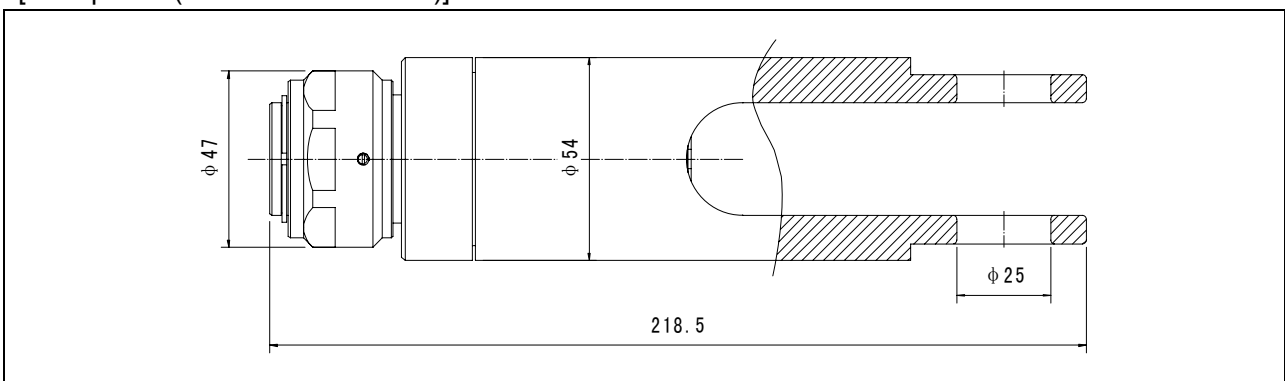
[Receptacle (PLT36Y2G2ZM1)]



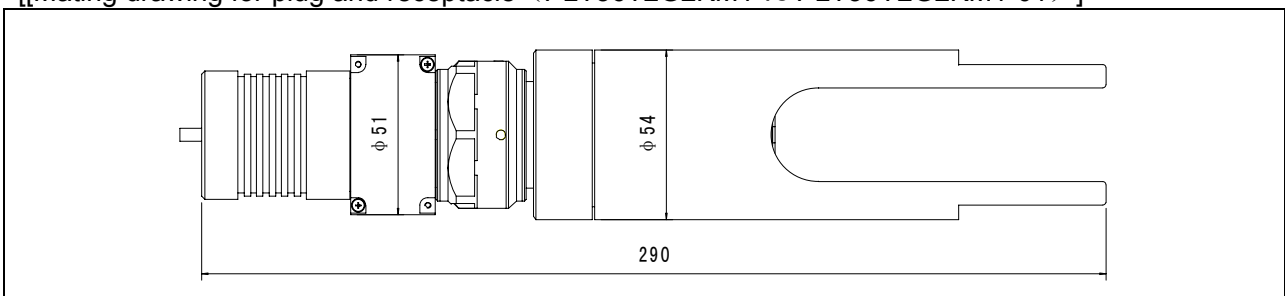
[Mating drawing for plug and receptacle (PLT36T2G2KM1 vs PLT36Y2G2ZM1)]



[Receptacle (PLT36Y2G2ZM1-01)]



[Mating drawing for plug and receptacle (PLT36T2G2KM1 vs PLT36Y2G2KM1-01)]



PLT32 Series

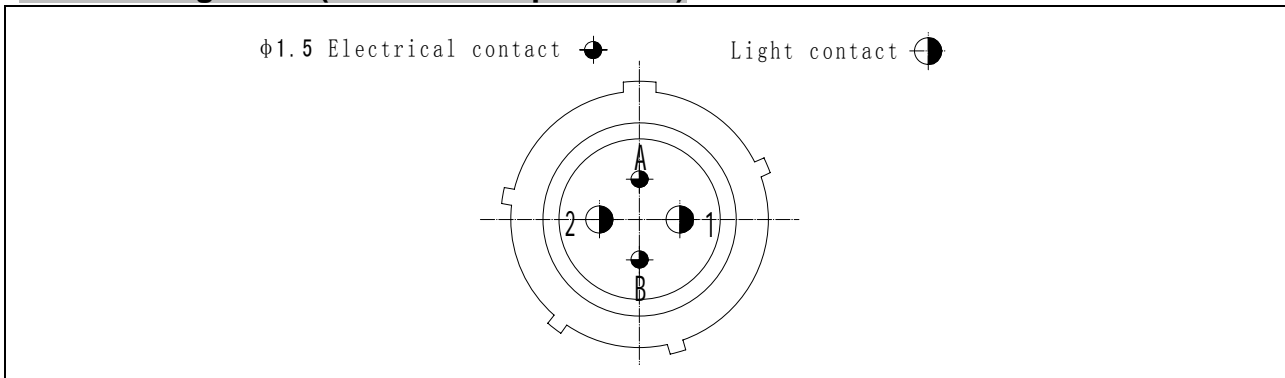
Description

- Titanium alloy, light weight
- Two-channel optical signal and two-channel power signal transmission
- Right angle structure in plug, applicable to install in the narrow rack

Main technical characteristic

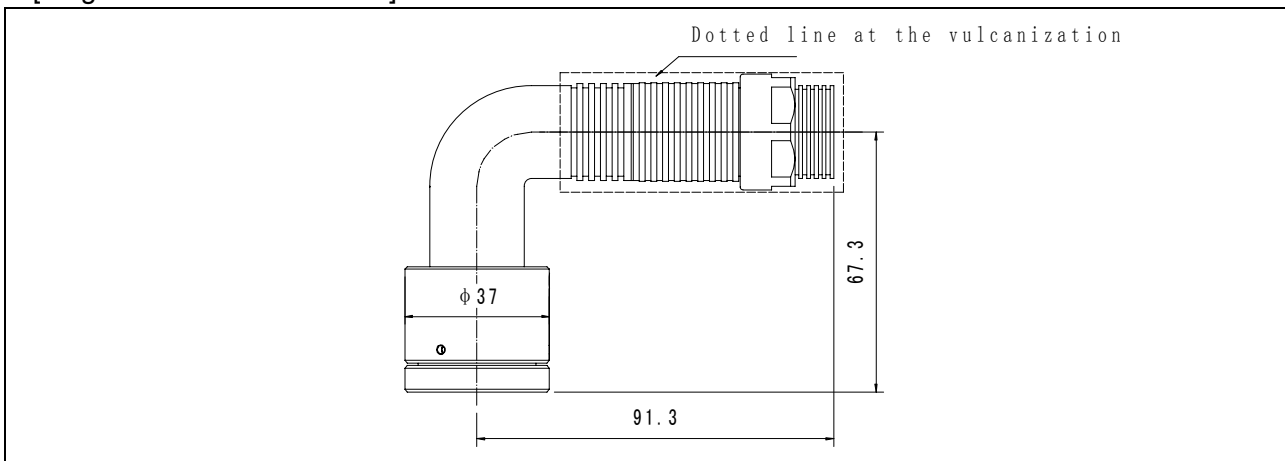
- Insertion loss: $\leq 1.2\text{dB}$
- DC resistance: $\leq 3\text{m}\Omega$
- Insulation resistance: $\geq 1000\text{M}\Omega$
- Withstanding voltage: $\geq 2000\text{V}$
- Vibration: $10\text{Hz}\sim 500\text{Hz}$, acceleration: 98m/s^2
- Rated current: 5A ; (only for connector)
- Water pressure resistance: $\geq 4.5\text{MPa}$
- Shock: 735m/s^2
- Durability: 300 cycles
- Tensile strength (plug): pull apart force $\geq 1\text{KN}$

Insert arrangement (Front face of pin insert)

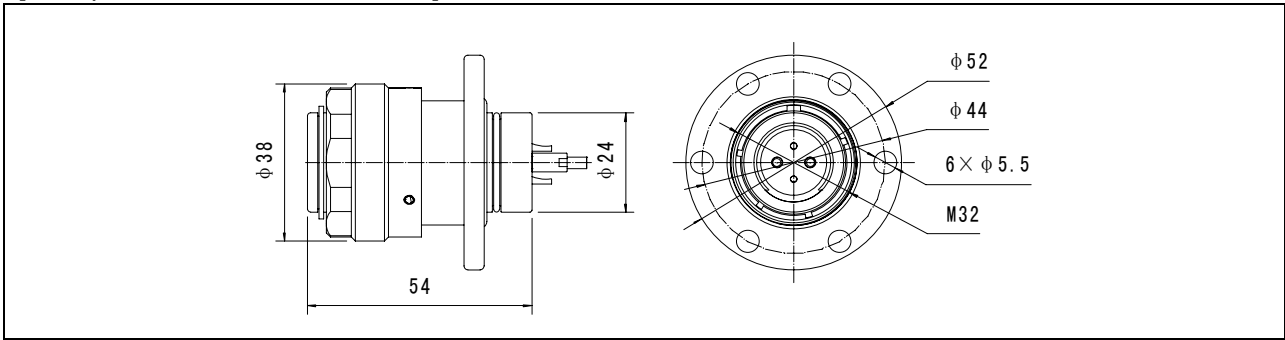


Outline dimensions

[Plug PLT32T2G2KM1-09]



[Receptacle (PLT32Y2G2ZM1)]



[Mating drawing for plug and receptacle (PLT32T2G2KM1-09 vs PLT32Y2G2KM1)]

