

DIN Series Optical Connector & Adapter

Product brief introduction

- Standard metallic parts with excellent interchangeability
- Small size and miniaturized design
- Ceramic ferrule, PC, UPC & APC polishing
- Low insertion Loss and high return Loss
- Available to OFNR cable or LSZH cable
- Cable OD: $\phi 0.9$, $\phi 2$, $\phi 3$
- Raw material meeting EU RoHS
- Standard: DIN47256, IEC 874-6

Applications

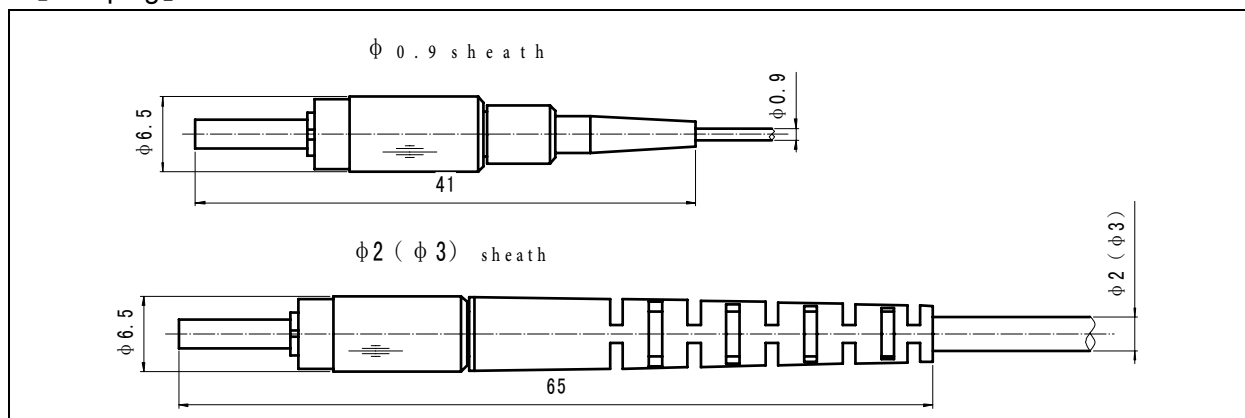
- Optical fiber communication network
- Optical CATV
- Optical LAN
- Instruments and meters

Performances

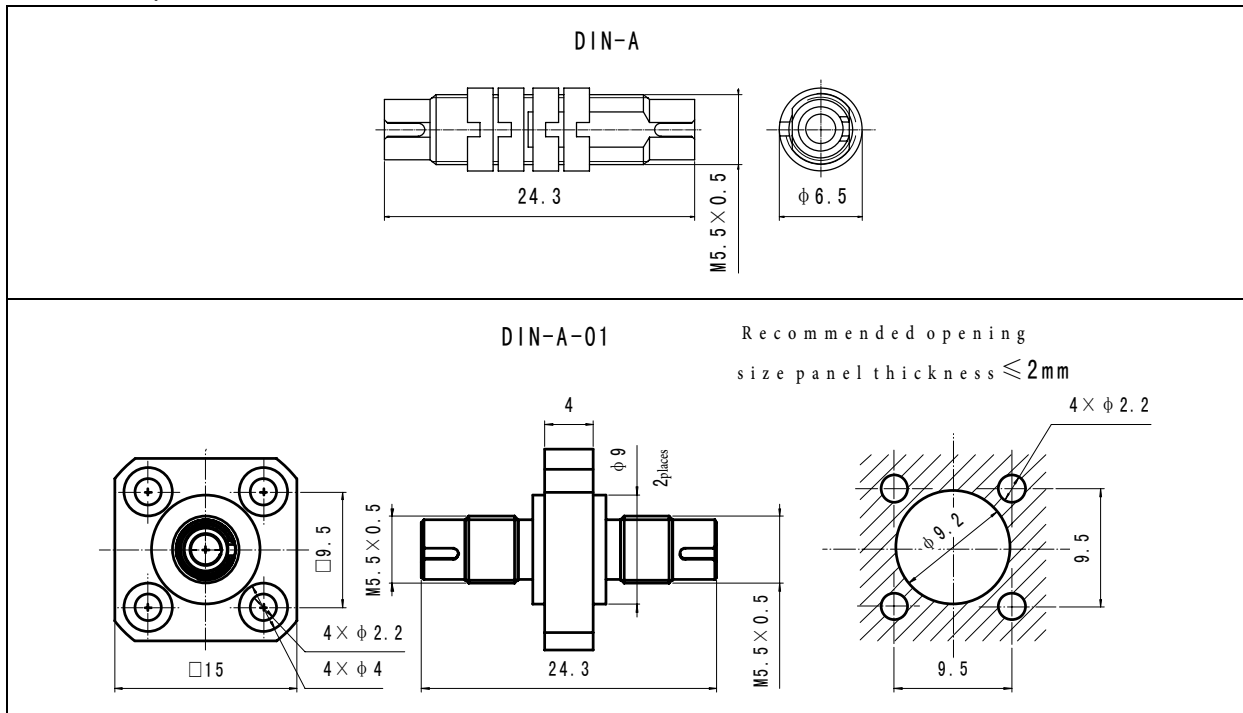
Parameters	Type	PC		UPC	APC	Adapter
		SM	MM			
Insertion Loss (dB)		≤ 0.3	≤ 0.2	≤ 0.3	≤ 0.3	≤ 0.1
Return Loss (dB)		≥ 45	≥ 35	≥ 50	≥ 60	/
Repeatability (dB)		≤ 0.2				/
Durability (cycles)		≥ 1000				≥ 1000
Operating Temperature ($^{\circ}\text{C}$)		$-40 \sim +80$				$-40 \sim +80$
Humidity		Temperature: $(+40 \pm 2)^{\circ}\text{C}$; RH: 90%~95%				
Tensile strength		> 50 (NOT REQUIRED FOR $\phi 0.9$ PRODUCT)				/

Outline dimensions

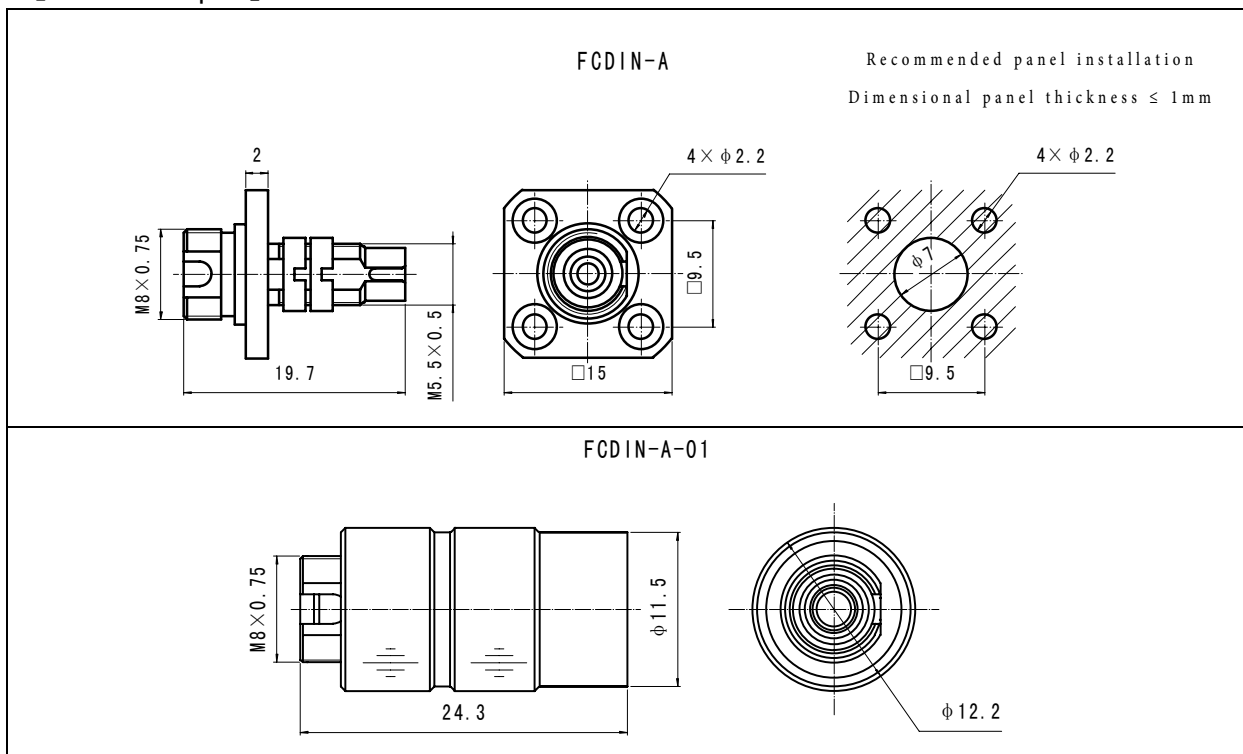
[DIN plug]

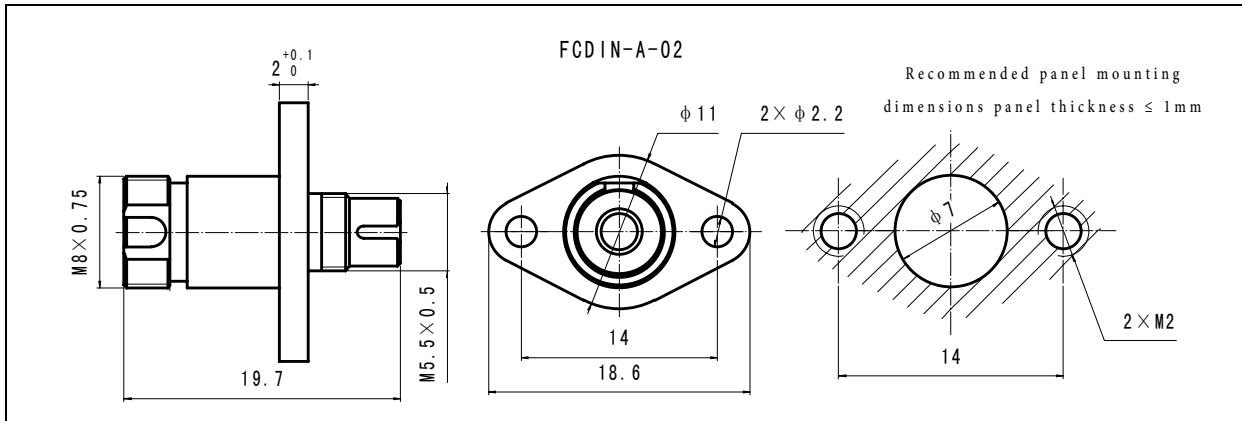


[DIN Adapter]



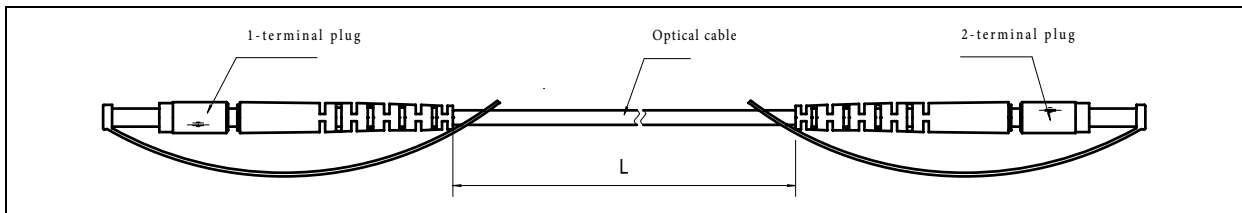
[FC-DIN adapter]





Ordering information

[DIN-DIN-S3-L]



[Designation]

Basic series	DIN	-DIN	-S	3	-L	5
Amount and types of plugs at end 1	Amount: omitted for 1 Type: such as FC and DIN, Or according to customer's requirements					
Amount and types of plugs at end 2	Amount: omitted for 1 Type: such as FC and DIN, Or according to customer's requirements					
Transmission mode	S—SM 9/125 M—MM 62. 5/125 MI—MM 50/125 MIV—MM 50/125 (OM3)					
Optic fiber dia.	0.9-Φ0.9mm, 2-Φ2mm, 3-Φ3mm					
Optic fiber length mark	L					
Optic fiber length	Unit: m					

Example 1: FC-DIN-S3-L15

Explanation: FC/PC plug at end 1, DIN/PC plug at end 2; optic fiber Transmission mode is S(G652 standard SM optic fiber), Φ3 optic fiber and cable length is 15m