

R255G3 Series optical connectors

Brief introduction

-Enterprise standard: Q/21EJ1305, interface dimension is according with GJB599A

(MIL-DTL-38999) III, performance index comply with ARINC801 standard.

-Applicable for aviation, electronic, vessel, etc.; used for multi loop optical tele-communication.

Features:

-Different shell materials and plating, applicable for different environments

-Five-keyway orientation, blind mating, anti mis-mating function

-Tri-start thread quick coupling with anti-loose mechanism

-Ceramic ferrule and sleeve to achieve precise mating

-Various termination alternative types

-Adaptor (hermetic type optional) without optical cable bondage



Main technical characteristics

—Insertion loss: $\leq 0.6\text{dB}$

—Operating temperature: $-55^{\circ}\text{C} \sim +85^{\circ}\text{C}$

—Vibration: $10 \sim 2000\text{Hz}$, acceleration 196m/s^2

—Shock: 980m/s^2

—Endurance: 500 cycles

—Tensile strength: $\geq 68\text{N}$ (2mm patch cord)

—Hermetic performance (for hermetic adapter): air leakage $\leq 1 \times 10^{-9}\text{Pa}\cdot\text{m}^3/\text{s}$, 1 atmosphere differential pressure

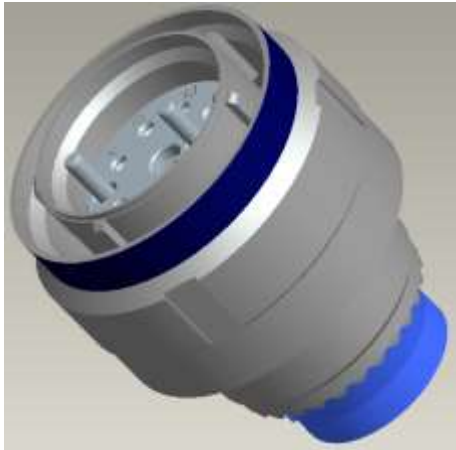
—Salt spray: $\geq 1000\text{h}$ (stainless steel, cadmium plating), $\geq 48\text{h}$ (nickel plating)

Ordering information

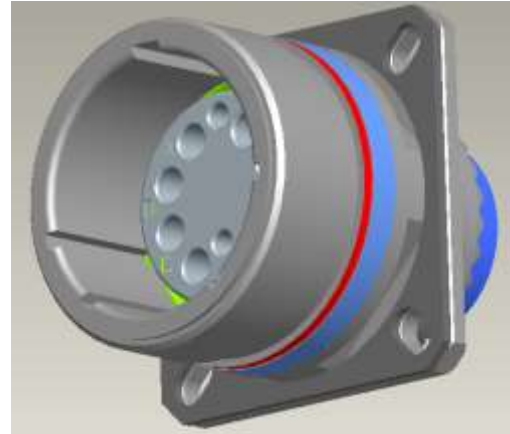
[Connector ordering information]

Basic series		R255G3/	26	W	C	4	N	51
Shell type	26-plug, 20-receptacle							
Plating	W-aluminum alloy, olive green cadmium plating F-aluminum alloy, electroless nickel plating K- stainless steel passive							
Shell No.	11	13	15	17	19	21	23	25
Index No.	B	C	D	E	F	G	H	J
Configuration	See the configuration picture for details.							
Polarization	N-normal; A/B/C/D/E-alternative							
Design code	Omit-non back accessory							
	01-applicable to single core fiber, straight back accessory, mounted with ripple tube							
	03—applicable to single core fiber, right-angle back accessory, mounted with ripple tube							
	31—receptacle mounted with multi-core field fiber, back accessory available							
	41—plug/receptacle mounted with multi-core armored fiber, back accessory available							
	51—plug mounted with multi-core field fiber, back accessory available							

Note: the above information is for connector ordering, not includes the contacts.



R255G3 plug



R255G3 receptacle

[Contact ordering information]

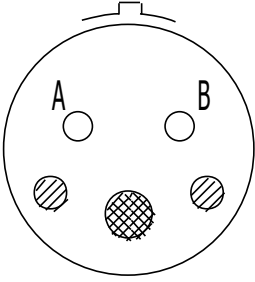
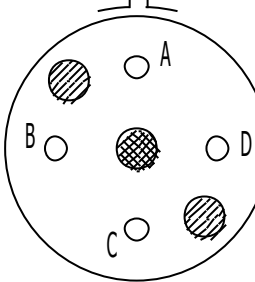
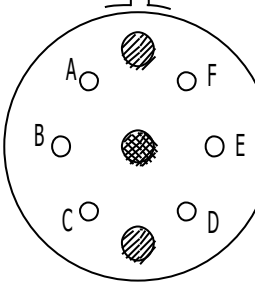
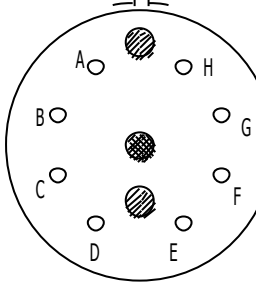
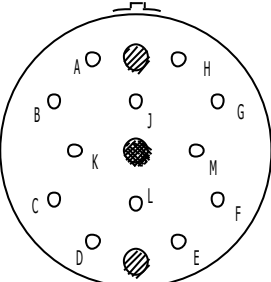
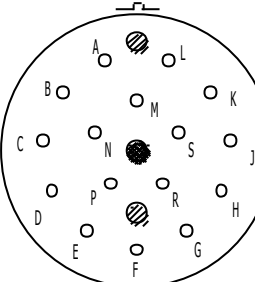
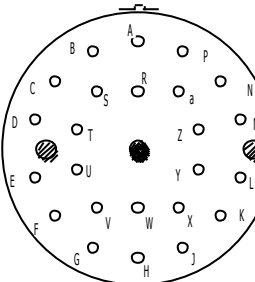
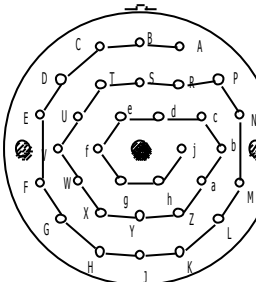
Basic series	G3Y-	M	2
Pin type	M—MM (62.5/125) MI—MM (50/125) MIV—MM high speed OM3 (50/125)		
Fiber diameter	2mm, 0.9mm		

The contacts can be ordered separately, part number example: G3Y-M2

[Adapter ordering information]

Basic series	R255G3/	24	Y	B	2	C1	N	-M
Shell type	20-square flange receptacle 24-jam nut receptacle							
Plating	W-aluminum alloy, olive green cadmium plating F-aluminum alloy, electroless nickel plating K- stainless steel passive Y- stainless steel passive (hermetic)							
Shell No.	11	13	15	17	19	21	23	25
Index No.	B	C	D	E	F	G	H	J
Configuration	See the configuration picture for details.							
Contact type	C1: wall-through optical pin							
Polarization	N-normal; A/B/C/D-alternative							
Transmission mode	M—MM (62.5/125) MI—MM (50/125) MIV—MM high speed OM3 (50/125)							

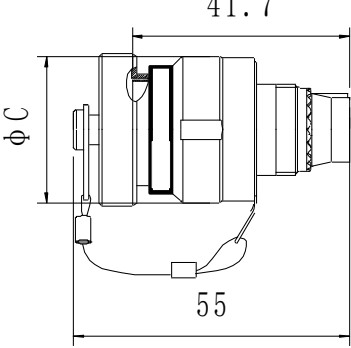
Configuration (take plug for example)

			
11-02	13-04	15-06	17-08
			
19-12	21-16	23-24	25-32

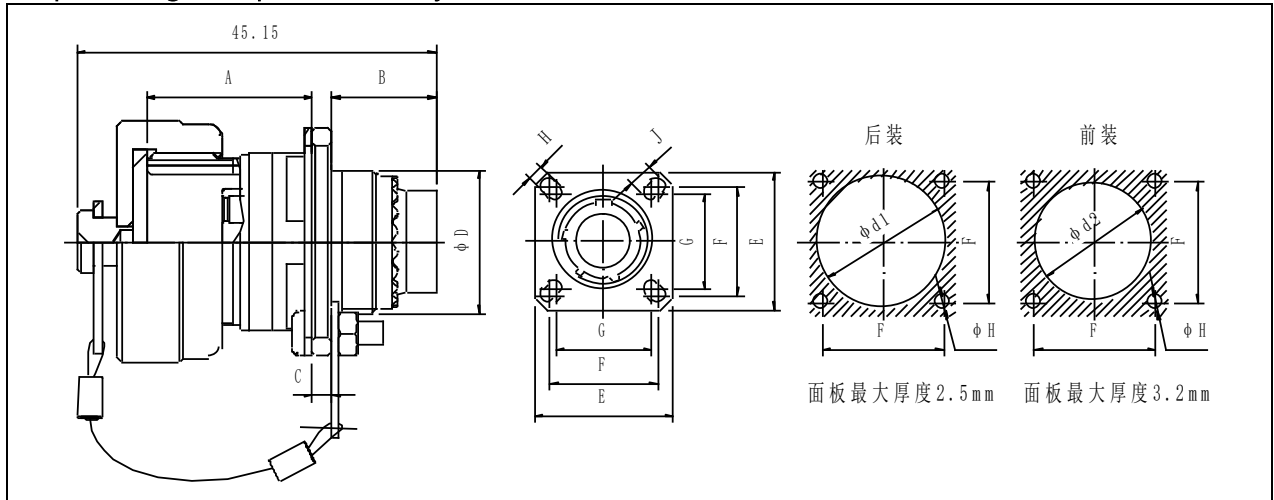
- means the contact position
- ◐ means the leading pin position
- ◑ means the screw position

Outline dimensions

[Plug assembly]

	Shell size	MS size	C max
	11	B	25.00
	13	C	29.40
	15	D	32.50
	17	E	35.70
	19	F	38.50
	21	G	41.70
	23	H	44.90
25	J	48.00	

[Square flange receptacle assembly]

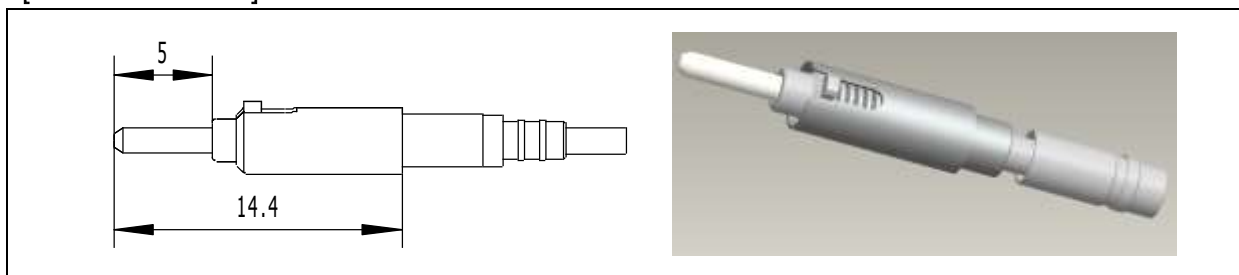


Shell size	MS size	A max	B max	C max	D thread	E	F	G	H	J	d1 min	d2 min
11	B	20.70	13.15	2.50	M15×1-6g	26.20	20.62	18.26	3.25	4.93	20.22	15.88
13	C	20.70	13.15	2.50	M18×1-6g	28.60	23.01	20.62	3.25	4.93	23.42	19.05
15	D	20.70	13.15	2.50	M22×1-6g	31.00	24.61	23.01	3.25	4.93	26.59	23.01
17	E	20.70	13.15	2.50	M25×1-6g	33.30	26.97	24.61	3.25	4.93	30.96	25.81
19	F	20.70	13.15	2.50	M28×1-6g	36.50	29.36	26.97	3.25	4.93	32.94	28.98
21	G	19.90	13.25	3.20	M31×1-6g	39.70	31.75	29.36	3.25	4.93	36.12	32.16
23	H	19.90	13.25	3.20	M34×1-6g	42.90	34.93	31.75	3.91	6.15	39.29	34.93
25	J	19.90	13.25	3.20	M37×1-6g	46.00	38.10	34.93	3.91	6.15	42.47	37.69

Note: A is the dimension from the mounting surface to the receptacle termination.

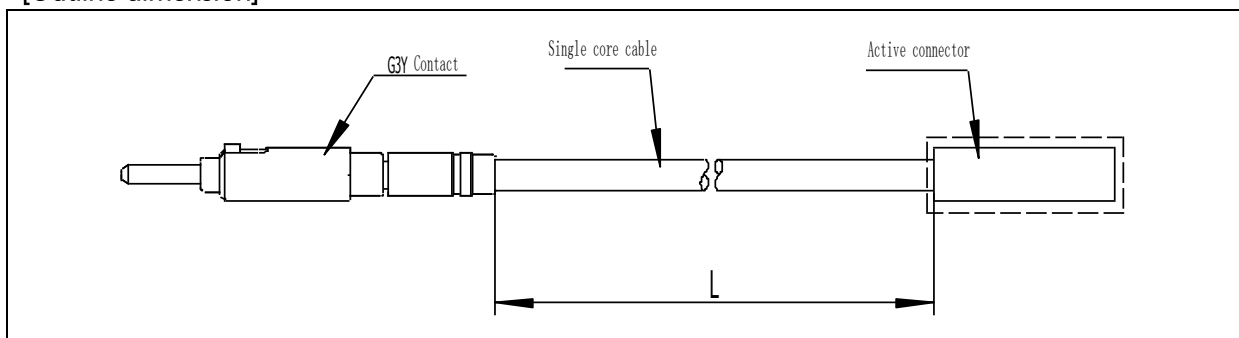
R255G3 contact

[Outline dimension]



R255G3 contact patch cord

[Outline dimension]



Note: L is the cable length, according to customers' need. This contact is mounted into the R255G3 optical connector. The remove tool P/N: M81969/14-03, the operation method is in R255G3 optical connector illustration 013-00007573.

[Ordering information]

End 1		G3Y	-FC	-M2	-L4
End 2	FC-plug type, can be AFC/SC/LC/ST/DIN, etc.				
Fiber characteristics	M—MM (62.5/125)				
	MI—MM (50/125)				
	MIV—OM3 MM (50/125)				
	FM—MM (62.5/125) ETFE fiber				
Fiber characteristics	2—fiber diameter 2mm				
	0.9—fiber diameter 0.9mm				
	4—fiber length 4m				

[Part number example]

G3Y-LC-M2-L1.2

End 1 is G3Y-M2 plug, end 2 is LC plug, the fiber is single core MM 62.5/125 Φ2mm fiber, fiber length 1.2m.

G3Y-LC-FM2-L5

End 1 is G3Y-M2, end 2 is FC plug, the fiber is single core MM 62.5/125 Φ2mm ETFE fiber, fiber length 1.2m.

[Recommended type]

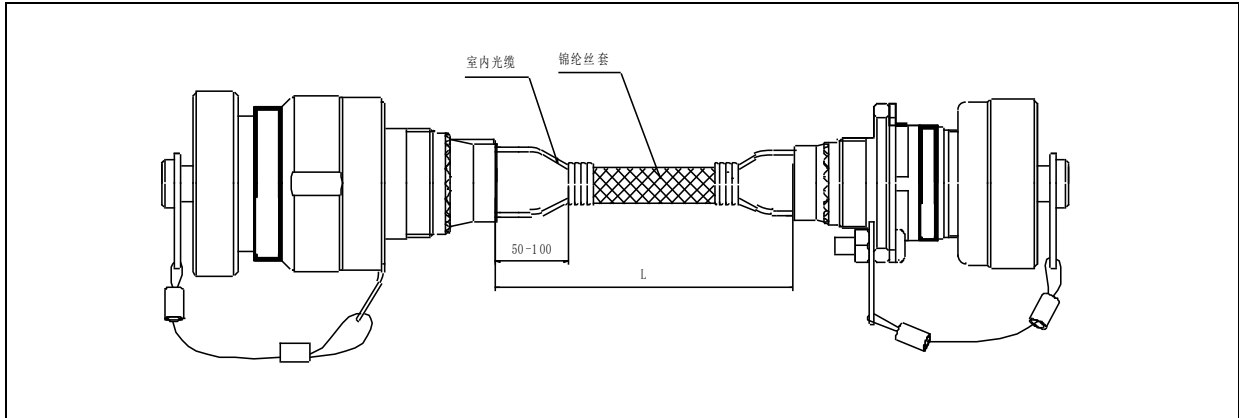
G3Y-LC-M2-L0.5	End 1 is G3Y contact, end 2 is LC connector,φ2 MM 62.5/125 fiber, 0.5m
G3Y-LC-M2-L1	End 1 is G3Y contact, end 2 is LC connector,φ2 MM 62.5/125 fiber, 1m
G3Y-LC-M2-L1.5	End 1 is G3Y contact, end 2 is LC connector,φ2 MM 62.5/125 fiber, 1.5m
G3Y-LC-M2-L2	End 1 is G3Y contact, end 2 is LC connector,φ2 MM 62.5/125 fiber, 2m
G3Y-LC-M2-L2.5	End 1 is G3Y contact, end 2 is LC connector,φ2 MM 62.5/125 fiber, 2.5m
G3Y-FC-M2-L0.5	End 1 is G3Y contact, end 2 is FC connector,φ2 MM 62.5/125 fiber, 0.5m
G3Y-FC-M2-L1	End 1 is G3Y contact, end 2 is FC connector,φ2 MM 62.5/125 fiber, 1m
G3Y-FC-M2-L1.5	End 1 is G3Y contact, end 2 is FC connector,φ2 MM 62.5/125 fiber, 1.5m
G3Y-FC-M2-L2	End 1 is G3Y contact, end 2 is FC connector,φ2 MM 62.5/125 fiber, 2m
G3Y-FC-M2-L2.5	End 1 is G3Y contact, end 2 is FC connector,φ2 MM 62.5/125 fiber, 2.5m
G3Y-G3Y-M2-L0.5	Both ends are G3Y contacts, φ2 MM 62.5/125 fiber, 0.5m
G3Y-G3Y-M2-L1	Both ends are G3Y contacts, φ2 MM 62.5/125 fiber, 1m
G3Y-G3Y-M2-L1.5	Both ends are G3Y contacts, φ2 MM 62.5/125 fiber, 1.5m
G3Y-G3Y-M2-L2	Both ends are G3Y contacts, φ2 MM 62.5/125 fiber, 2m
G3Y-G3Y-M2-L2.5	Both ends are G3Y contacts, φ2 MM 62.5/125 fiber, 2.5m
G3Y-G3Y-FM2-L0.5	Both ends are G3Y contacts, φ2 MM 62.5/125 ETFE fiber, 0.5m
G3Y-G3Y-FM2-L1	Both ends are G3Y contacts, φ2 MM 62.5/125 ETFE fiber, 1m
G3Y-G3Y-FM2-L1.5	Both ends are G3Y contacts, φ2 MM 62.5/125 ETFE fiber, 1.5m
G3Y-G3Y-FM2-L2	Both ends are G3Y contacts, φ2 MM 62.5/125 ETFE fiber, 2m

G3Y-G3Y-FM2-L2.5	Both ends are G3Y contacts, $\phi 2$ MM 62.5/125 ETFE fiber, 2.5m
------------------	-------------------------------------------------------------------

R255G3 series optical fiber assembly

I type optical fiber assembly

[Outline dimension]



Note: L is the cable length, according to customers' need. If $L \leq 300$ mm, no nylon string.

[Ordering information]

End 1	R255G3/26FC04N	-R255G3/26FC04N	-M2	-L2.2
End 2				
Fiber characteristics	M—MM (62.5/125) MI—MM (50/125) MIV—OM3 MM (50/125) FM—MM (62.5/125) ETFE fiber 2—fiber diameter 2mm			
Fiber length	L2.2—fiber length 2.2m			

[Part number example]

R255G3/20FC04N-R255G3/26FC04N-M2-L2.7

End 1 is R255G3/20FC04N receptacle; end 2 is R255G3/26FC04N plug, $\Phi 2$ mm MM single core 62.5/125 fiber, total length 2.7m.

R255G3/26FD06N-R255G3/26FD06N-MI2-L2

End 1 is R255G3/26FD06N plug; end 2 is R255G3/26FD06N plug, $\Phi 2$ mm MM single core 50/125 fiber, total length 2m.

R255G3/26WD06N-R255G3/20WD06N-FM2-L5

End 1 is R255G3/26WD06N plug; end 2 is R255G3/20WD06N receptacle, $\Phi 2$ mm MM single core 62.5/125 ETFE fiber, total length 5m.

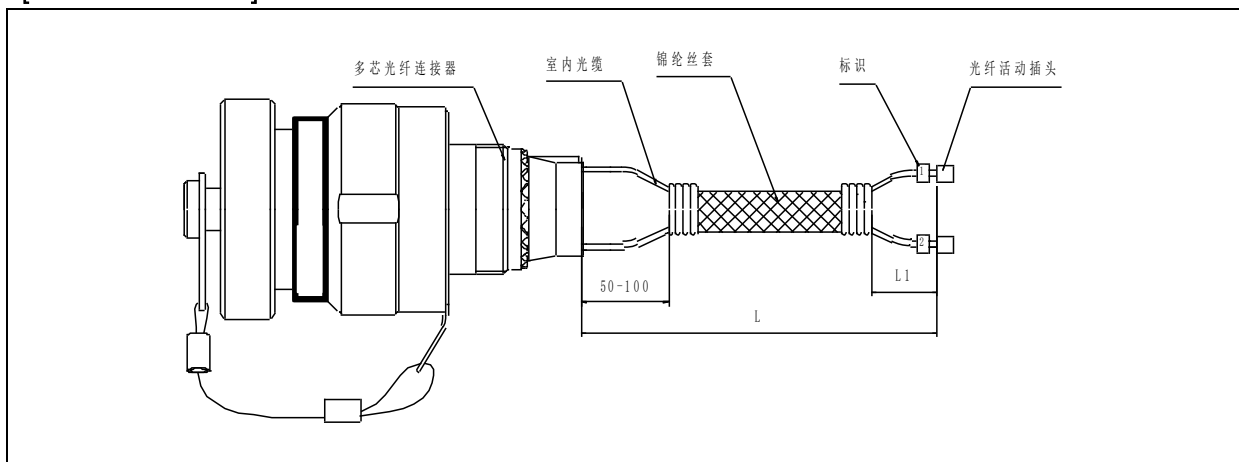
[Recommended type]

R255G3/26WC04N-R255G3/26WC04N-M2-L1	Both ends are R255G3/26WC04N plugs, $\phi 2$ MM 62.5/125 fiber, 1m
R255G3/26WC04N-R255G3/26WC04N-M2-L2	Both ends are R255G3/26WC04N plugs, $\phi 2$ MM 62.5/125 fiber, 2m
R255G3/26WC04N-R255G3/26WC04N-M2-L3	Both ends are R255G3/26WC04N plugs, $\phi 2$ MM 62.5/125 fiber, 3m

R255G3/26WC04N-R255G3/26WC04N-M2-L4	Both ends are R255G3/26WC04N plugs, $\phi 2$ MM 62.5/125 fiber, 4m
R255G3/26WC04N-R255G3/26WC04N-M2-L5	Both ends are R255G3/26WC04N plugs, $\phi 2$ MM 62.5/125 fiber, 5m
R255G3/26WC04N-R255G3/26WC04N-M2-L8	Both ends are R255G3/26WC04N plugs, $\phi 2$ MM 62.5/125 fiber, 8m
R255G3/26WD06N-R255G3/26WD06N-M2-L1	Both ends are R255G3/26WD06N plugs, $\phi 2$ MM 62.5/125 fiber, 1m
R255G3/26WD06N-R255G3/26WD06N-M2-L2	Both ends are R255G3/26WD06N plugs, $\phi 2$ MM 62.5/125 fiber, 2m
R255G3/26WD06N-R255G3/26WD06N-M2-L3	Both ends are R255G3/26WD06N plugs, $\phi 2$ MM 62.5/125 fiber, 3m
R255G3/26WD06N-R255G3/26WD06N-M2-L4	Both ends are R255G3/26WD06N plugs, $\phi 2$ MM 62.5/125 fiber, 4m
R255G3/26WD06N-R255G3/26WD06N-M2-L5	Both ends are R255G3/26WD06N plugs, $\phi 2$ MM 62.5/125 fiber, 5m
R255G3/26WD06N-R255G3/26WD06N-M2-L8	Both ends are R255G3/26WD06N plugs, $\phi 2$ MM 62.5/125 fiber, 8m
R255G3/26WE08N-R255G3/26WE08N-M2-L1	Both ends are R255G3/26WE08N plugs, $\phi 2$ MM 62.5/125 fiber, 1m
R255G3/26WE08N-R255G3/26WE08N-M2-L2	Both ends are R255G3/26WE08N plugs, $\phi 2$ MM 62.5/125 fiber, 2m
R255G3/26WE08N-R255G3/26WE08N-M2-L3	Both ends are R255G3/26WE08N plugs, $\phi 2$ MM 62.5/125 fiber, 3m
R255G3/26WE08N-R255G3/26WE08N-M2-L4	Both ends are R255G3/26WE08N plugs, $\phi 2$ MM 62.5/125 fiber, 4m
R255G3/26WE08N-R255G3/26WE08N-M2-L5	Both ends are R255G3/26WE08N plugs, $\phi 2$ MM 62.5/125 fiber, 5m
R255G3/26WE08N-R255G3/26WE08N-M2-L8	Both ends are R255G3/26WE08N plugs, $\phi 2$ MM 62.5/125 fiber, 8m
R255G3/26WF12N-R255G3/26WF12N-M2-L1	Both ends are R255G3/26WF12N plugs, $\phi 2$ MM 62.5/125 fiber, 1m
R255G3/26WF12N-R255G3/26WF12N-M2-L2	Both ends are R255G3/26WF12N plugs, $\phi 2$ MM 62.5/125 fiber, 2m
R255G3/26WF12N-R255G3/26WF12N-M2-L3	Both ends are R255G3/26WF12N plugs, $\phi 2$ MM 62.5/125 fiber, 3m
R255G3/26WF12N-R255G3/26WF12N-M2-L4	Both ends are R255G3/26WF12N plugs, $\phi 2$ MM 62.5/125 fiber, 4m
R255G3/26WF12N-R255G3/26WF12N-M2-L5	Both ends are R255G3/26WF12N plugs, $\phi 2$ MM 62.5/125 fiber, 5m
R255G3/26WF12N-R255G3/26WF12N-M2-L8	Both ends are R255G3/26WF12N plugs, $\phi 2$ MM 62.5/125 fiber, 8m
R255G3/26WJ32N-R255G3/26WJ32N-M2-L1	Both ends are R255G3/26WJ32N plugs, $\phi 2$ MM 62.5/125 fiber, 1m
R255G3/26WJ32N-R255G3/26WJ32N-M2-L2	Both ends are R255G3/26WJ32N plugs, $\phi 2$ MM 62.5/125 fiber, 2m
R255G3/26WJ32N-R255G3/26WJ32N-M2-L3	Both ends are R255G3/26WJ32N plugs, $\phi 2$ MM 62.5/125 fiber, 3m
R255G3/26WJ32N-R255G3/26WJ32N-M2-L4	Both ends are R255G3/26WJ32N plugs, $\phi 2$ MM 62.5/125 fiber, 4m
R255G3/26WJ32N-R255G3/26WJ32N-M2-L5	Both ends are R255G3/26WJ32N plugs, $\phi 2$ MM 62.5/125 fiber, 5m
R255G3/26WJ32N-R255G3/26WJ32N-M2-L8	Both ends are R255G3/26WJ32N plugs, $\phi 2$ MM 62.5/125 fiber, 8m

II type optical fiber assembly

[Outline dimension]



Note: Fiber length L is made according to customers' need.



[Ordering information]

End 1		R255G3/26FC04N	-4FC	-M2	L3	/0.5
End 2	4-means the quantity FC-plug type, can be AFC/SC/LC/ST/DIN, etc.					
Fiber characteristics	M—MM (62.5/125)					
	MI—MM (50/125)					
	MIV—OM3 MM (50/125)					
	FM—MM (62.5/125) ETFE fiber					
Fiber length	2—fiber diameter 2mm					
	0.9—fiber diameter 0.9mm					
	L3—fiber length 3m, it is marked with L in the above picture.					
Branch fiber length	0.5—branch fiber length 0.5m, it is marked with L1 in the above picture. (If customers don't have requirement for branch fiber, the fiber will not be tied in nylon string, omit this item)					

[Part number example]

R255G3/20WE08N-8FC-M2-L1.5

End 1 is R255G3/20WE08N receptacle; end 2 is 8 FC plugs, single core MM 62.5/125 Φ 2mm fiber, fiber length 1.5m, no branch fiber.

R255G3/26FC04N-4LC-MI2-L2/0.5

End 1 is R255G3/26FC04N plug; end 2 is 4 LC plugs, single core MM 50/125 Φ 2mm fiber, total length 2m, branch fiber length 0.5m.

R255G3/26KC98B1N02-10LC-MI2-L1

End 1 is R255G3/26KC98B1N02-M2 plug; end 2 is 10 LC plugs, single core MM 50/125 Φ 2mm fiber, total length 1m, no branch fiber.

For L and L1 length, please see the length tolerance figure for reference.

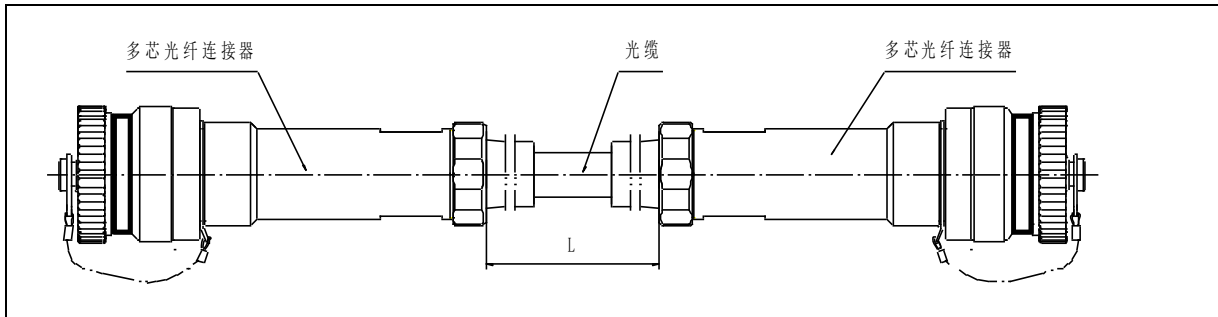
[Recommended type]

R255G3/26WC04N-4LC-M2-L0.5	End 1 is R255G3/26WC04N, End 2 is 4 LC; ϕ 2 MM 62.5/125 fiber, 0.5m
R255G3/26WC04N-4LC-M2-L1	End 1 is R255G3/26WC04N, End 2 is 4 LC; ϕ 2 MM 62.5/125 fiber, 1m
R255G3/26WC04N-4LC-M2-L2/0.5	End 1 is R255G3/26WC04N, End 2 is 4 LC; ϕ 2 MM 62.5/125 fiber, 2m, branch fiber length 0.5m
R255G3/26WC04N-4LC-M2-L3/0.5	End 1 is R255G3/26WC04N, End 2 is 4 LC; ϕ 2 MM 62.5/125 fiber, 3m, branch fiber length 0.5m
R255G3/26WC04N-4LC-M2-L4/0.5	End 1 is R255G3/26WC04N, End 2 is 4 LC; ϕ 2 MM 62.5/125 fiber, 4m, branch fiber length 0.5m
R255G3/26WC04N-4LC-M2-L5/0.5	End 1 is R255G3/26WC04N, End 2 is 4 LC; ϕ 2 MM 62.5/125 fiber, 5m, branch fiber length 0.5m
R255G3/26WC04N-4LC-M2-L8/0.5	End 1 is R255G3/26WC04N, End 2 is 4 LC; ϕ 2 MM 62.5/125 fiber, 8m, branch fiber length 0.5m
R255G3/26WD06N-6LC-M2-L0.5	End 1 is R255G3/26WD06N, End 2 is 6 LC; ϕ 2 MM 62.5/125 fiber, 0.5m
R255G3/26WD06N-6LC-M2-L1	End 1 is R255G3/26WD06N, End 2 is 6 LC; ϕ 2 MM 62.5/125 fiber, 1m
R255G3/26WD06N-6LC-M2-L2/0.5	End 1 is R255G3/26WD06N, End 2 is 6 LC; ϕ 2 MM 62.5/125 fiber, 2m, branch fiber length 0.5m
R255G3/26WD06N-6LC-M2-L3/0.5	End 1 is R255G3/26WD06N, End 2 is 6 LC; ϕ 2 MM 62.5/125 fiber, 3m, branch fiber length 0.5m
R255G3/26WD06N-6LC-M2-L4/0.5	End 1 is R255G3/26WD06N, End 2 is 6 LC; ϕ 2 MM 62.5/125 fiber, 4m, branch fiber length 0.5m
R255G3/26WD06N-6LC-M2-L5/0.5	End 1 is R255G3/26WD06N, End 2 is 6 LC; ϕ 2 MM 62.5/125 fiber, 5m, branch fiber length 0.5m
R255G3/26WD06N-6LC-M2-L8/0.5	End 1 is R255G3/26WD06N, End 2 is 6 LC; ϕ 2 MM 62.5/125 fiber, 8m, branch fiber length 0.5m
R255G3/26WE08N-8LC-M2-L0.5	End 1 is R255G3/26WE08N, End 2 is 8 LC; ϕ 2 MM 62.5/125 fiber, 0.5m



R255G3/26WE08N-8LC-M2-L1	End 1 is R255G3/26WE08N, End 2 is 8 LC; φ 2 MM 62.5/125 fiber, 1m
R255G3/26WE08N-8LC-M2-L2/0.5	End 1 is R255G3/26WE08N, End 2 is 8 LC; φ 2 MM 62.5/125 fiber, 2m, branch fiber length 0.5m
R255G3/26WE08N-8LC-M2-L3/0.5	End 1 is R255G3/26WE08N, End 2 is 8 LC; φ 2 MM 62.5/125 fiber, 3m, branch fiber length 0.5m
R255G3/26WE08N-8LC-M2-L4/0.5	End 1 is R255G3/26WE08N, End 2 is 8 LC; φ 2 MM 62.5/125 fiber, 4m, branch fiber length 0.5m
R255G3/26WE08N-8LC-M2-L5/0.5	End 1 is R255G3/26WE08N, End 2 is 8 LC; φ 2 MM 62.5/125 fiber, 5m, branch fiber length 0.5m
R255G3/26WE08N-8LC-M2-L8/0.5	End 1 is R255G3/26WE08N, End 2 is 8 LC; φ 2 MM 62.5/125 fiber, 8m, branch fiber length 0.5m
R255G3/26WF12N-12LC-M2-L0.5	End 1 is R255G3/26WF12N, End 2 is 12 LC; φ 2 MM 62.5/125 fiber, 0.5m
R255G3/26WF12N-12LC-M2-L1	End 1 is R255G3/26WF12N, End 2 is 12 LC; φ 2 MM 62.5/125 fiber, 1m
R255G3/26WF12N-12LC-M2-L2/0.5	End 1 is R255G3/26WF12N, End 2 is 12 LC; φ 2 MM 62.5/125 fiber, 2m, branch fiber length 0.5m
R255G3/26WF12N-12LC-M2-L3/0.5	End 1 is R255G3/26WF12N, End 2 is 12 LC; φ 2 MM 62.5/125 fiber, 3m, branch fiber length 0.5m
R255G3/26WF12N-12LC-M2-L4/0.5	End 1 is R255G3/26WF12N, End 2 is 12 LC; φ 2 MM 62.5/125 fiber, 4m, branch fiber length 0.5m
R255G3/26WF12N-12LC-M2-L5/0.5	End 1 is R255G3/26WF12N, End 2 is 12 LC; φ 2 MM 62.5/125 fiber, 5m, branch fiber length 0.5m
R255G3/26WF12N-12LC-M2-L8/0.5	End 1 is R255G3/26WF12N, End 2 is 12 LC; φ 2 MM 62.5/125 fiber, 8m, branch fiber length 0.5m
R255G3/26WJ32N-32LC-M2-L0.5	End 1 is R255G3/26WJ32N, End 2 is 32 LC; φ 2 MM 62.5/125 fiber, 0.5m
R255G3/26WJ32N-32LC-M2-L1	End 1 is R255G3/26WJ32N, End 2 is 32 LC; φ 2 MM 62.5/125 fiber, 1m
R255G3/26WJ32N-32LC-M2-L2/0.5	End 1 is R255G3/26WJ32N, End 2 is 32 LC; φ 2 MM 62.5/125 fiber, 2m, branch fiber length 0.5m
R255G3/26WJ32N-32LC-M2-L3/0.5	End 1 is R255G3/26WJ32N, End 2 is 32 LC; φ 2 MM 62.5/125 fiber, 3m, branch fiber length 0.5m
R255G3/26WJ32N-32LC-M2-L4/0.5	End 1 is R255G3/26WJ32N, End 2 is 32 LC; φ 2 MM 62.5/125 fiber, 4m, branch fiber length 0.5m
R255G3/26WJ32N-32LC-M2-L5/0.5	End 1 is R255G3/26WJ32N, End 2 is 32 LC; φ 2 MM 62.5/125 fiber, 5m, branch fiber length 0.5m
R255G3/26WJ32N-32LC-M2-L8/0.5	End 1 is R255G3/26WJ32N, End 2 is 32 LC; φ 2 MM 62.5/125 fiber, 8m, branch fiber length 0.5m
R255G3/20WC04N-4LC-M2-L0.5	End 1 is R255G3/20WC04N, End 2 is 4 LC; φ 2 MM 62.5/125 fiber, 0.5m
R255G3/20WC04N-4LC-M2-L1	End 1 is R255G3/20WC04N, End 2 is 4 LC; φ 2 MM 62.5/125 fiber, 1m
R255G3/20WC04N-4LC-M2-L2/0.5	End 1 is R255G3/20WC04N, End 2 is 4 LC; φ 2 MM 62.5/125 fiber, 2m, branch fiber length 0.5m
R255G3/20WC04N-4LC-M2-L3/0.5	End 1 is R255G3/20WC04N, End 2 is 4 LC; φ 2 MM 62.5/125 fiber, 3m, branch fiber length 0.5m
R255G3/20WC04N-4LC-M2-L4/0.5	End 1 is R255G3/20WC04N, End 2 is 4 LC; φ 2 MM 62.5/125 fiber, 4m, branch fiber length 0.5m
R255G3/20WC04N-4LC-M2-L5/0.5	End 1 is R255G3/20WC04N, End 2 is 4 LC; φ 2 MM 62.5/125 fiber, 5m, branch fiber length 0.5m
R255G3/20WC04N-4LC-M2-L8/0.5	End 1 is R255G3/20WC04N, End 2 is 4 LC; φ 2 MM 62.5/125 fiber, 8m, branch fiber length 0.5m

III type optical fiber assembly



Note: Fiber length L is made according to customers' need.

[Ordering information]

End 1	R255G3/26FC04N51	-R255G3/20FC04N31	-C5*4	-M300	+SFJ04A
End 2					
Fiber characteristics	C—fiber characteristics code 5*4—fiber OD (mm)* fiber core number				
Transmission mode	M—optical transmission mode M-MM 62.5/125, MI-MM 50/125, MIV—MM high speed OM3 (50/125)				
Fiber length	300—fiber length L (Unit: m) Omit means non bracket.				
Bracket	Portable type: SFJ03A, SFJ04A, etc. Wheeled type: SFJ05A, etc. See bracket introduction for details.				

[Part number example]

R255G3/26FB02N51- R255G3/26FB02N51-C5*2-M1000+SFJ05A

Both ends are R255G3/26FB02N51 plugs, MM 62.5/125 Φ5 two-core field fiber, fiber length 1000m, SFJ05A bracket.

R255G3/26FC04N51- R255G3/20FC04N31-C5*4-MI10.2

End 1 is R255G3/26FC04N51 plug; end 2 is R255G3/20FC04N31 receptacle, MM 50/125 Φ5 four-core field fiber, fiber length 10.2m.

R255G3/20WC04N41- R255G3/26WC04N41-C7*4-M30

End 1 is R255G3/20WC04N41 receptacle; end 2 is R255G3/26WC04N41 plug, MM 62.5/125 Φ7 four-core armored fiber, fiber length 30m.

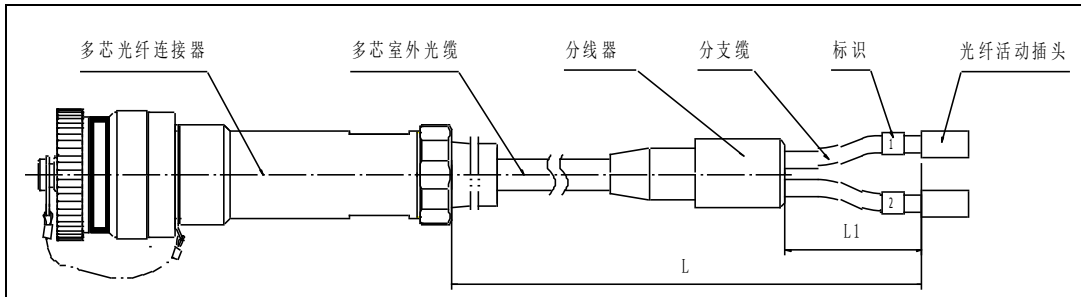
[Recommended type]

R255G3/26WC04N51-R255G3/26WC04N51-C5*4-M5	Both ends are R255G3/26WC04N51, MM 62.5/125 Φ5 field fiber, 5m
R255G3/26WC04N51-R255G3/26WC04N51-C5*4-M10	Both ends are R255G3/26WC04N51, MM 62.5/125 Φ5 field fiber, 10m
R255G3/26WC04N51-R255G3/26WC04N51-C5*4-M20	Both ends are R255G3/26WC04N51, MM 62.5/125 Φ5 field fiber, 20m
R255G3/26WC04N51-R255G3/26WC04N51-C5*4-M50	Both ends are R255G3/26WC04N51, MM 62.5/125 Φ5 field fiber, 50m
R255G3/26WC04N51-R255G3/26WC04N51-C5*4-M100+SFJ03A	Both ends are R255G3/26WC04N51, MM 62.5/125 Φ5 field fiber, 100m, SFJ03A bracket
R255G3/26WC04N51-R255G3/26WC04N51-C5*4-M200+SFJ04A	Both ends are R255G3/26WC04N51, MM 62.5/125 Φ5 field fiber, 200m, SFJ04A bracket



R255G3/26WC04N51-R255G3/26WC04N51-C5*4-M500+SFJ04B	Both ends are R255G3/26WC04N51, MM 62.5/125 Φ 5 field fiber, 500m, SFJ04B bracket
R255G3/26WC04N51-R255G3/26WC04N51-C5*4-M1000+SFJ04C	Both ends are R255G3/26WC04N51, MM 62.5/125 Φ 5 field fiber, 1000m, SFJ04C bracket
R255G3/26WD06N51-R255G3/26WD06N51-C6*6-M5	Both ends are R255G3/26WD06N51, MM 62.5/125 Φ 6 field fiber, 5m
R255G3/26WD06N51-R255G3/26WD06N51-C6*6-M10	Both ends are R255G3/26WD06N51, MM 62.5/125 Φ 6 field fiber, 10m
R255G3/26WD06N51-R255G3/26WD06N51-C6*6-M20	Both ends are R255G3/26WD06N51, MM 62.5/125 Φ 6 field fiber, 20m
R255G3/26WD06N51-R255G3/26WD06N51-C6*6-M50	Both ends are R255G3/26WD06N51, MM 62.5/125 Φ 6 field fiber, 50m
R255G3/26WD06N51-R255G3/26WD06N51-C6*6-M100+SFJ04A	Both ends are R255G3/26WD06N51, MM 62.5/125 Φ 6 field fiber, 100m, SFJ04A bracket
R255G3/26WD06N51-R255G3/26WD06N51-C6*6-M200+SFJ04A	Both ends are R255G3/26WD06N51, MM 62.5/125 Φ 6 field fiber, 200m, SFJ04A bracket
R255G3/26WD06N51-R255G3/26WD06N51-C6*6-M500+SFJ04B	Both ends are R255G3/26WD06N51, MM 62.5/125 Φ 6 field fiber, 500m, SFJ04B bracket
R255G3/26WE08N51-R255G3/26WE08N51-C6*6-M10	Both ends are R255G3/26WE08N51, MM 62.5/125 Φ 6 field fiber, 10m
R255G3/26WE08N51-R255G3/26WE08N51-C6*6-M20	Both ends are R255G3/26WE08N51, MM 62.5/125 Φ 6 field fiber, 20m
R255G3/26WE08N51-R255G3/26WE08N51-C6*6-M50	Both ends are R255G3/26WE08N51, MM 62.5/125 Φ 6 field fiber, 50m
R255G3/26WE08N51-R255G3/26WE08N51-C6*6-M100+ SFJ04A	Both ends are R255G3/26WE08N51, MM 62.5/125 Φ 6 field fiber, 100m, SFJ04A bracket
R255G3/26WE08N51-R255G3/26WE08N51-C6*6-M200+ SFJ04A	Both ends are R255G3/26WE08N51, MM 62.5/125 Φ 6 field fiber, 200m, SFJ04A bracket
R255G3/26WE08N51-R255G3/26WE08N51-C6*6-M500+ SFJ04B	Both ends are R255G3/26WE08N51, MM 62.5/125 Φ 6 field fiber, 500m, SFJ04B bracket.

IV type optical fiber assembly



Feature: one end of the fiber assembly is multi-core optical connector, another end is normal optical connector, the fiber is out door fiber and the branch fiber is in door fiber.

[Ordering information]

End 1	R255G3/26FC04N51	-4FC	-C5*4	-2M300/0.5	+SFJ04A
End 2	4—connector quantity FC—plug type, can also be SC/LC/ST, etc.				
Fiber characteristics	C—fiber characteristics code 5*4—fiber OD (mm)* fiber core number				
Fiber characteristics	2—branch fiber diameter (mm), 2 or 3 available M—optical transmission mode: S—SM G652, M—MM 62.5/125, MI—MM 50/125, MIV—MM high speed OM3 (50/125) 300- fiber length L (Unit: m) 0.5- branch fiber length L1 (Unit: m) The length can be customized.				
Bracket	Omit means non bracket. Portable type: SFJ03A, SFJ04A, etc. Wheeled type: SFJ05A, etc. See bracket introduction for details.				

[Part number example]

R255G3/20WC04N31-4FC-C5*4-2M12.5/0.5

End 1 is R255G3/20WC04N31 receptacle, end 2 is 4 FC plugs, 62.5/125Φ5 MM four-core field fiber, fiber length 12.5m, branch fiber diameter 2mm, branch fiber length 0.5m.

R255G3/26WD06N51-6LC-C6*6-2MI7/0.3

End 1 is R255G3/26WD06N51 plug, end 2 is 6 LC plugs, 50/125 Φ6 MM six-core field fiber, fiber length 7m, branch fiber diameter 2mm, branch fiber length 0.3m.

R255G3/26FC04N41-4ST-C7*4-3M15/0.3

End 1 is R255G3/26FC04N41 plug, end 2 is 4 ST plugs, 62.5/125 Φ7 MM four-core armored fiber, fiber length 15m, branch fiber length 0.3m, branch fiber diameter 3mm.

R255G3/20FC04N41-4ST-C7*4-3M15/0.3

End 1 is R255G3/20FC04N41 receptacle; end 2 is 4 ST plugs, 62.5/125Φ7 MM four-core armored fiber, fiber length 15m, branch fiber length 0.3m, branch fiber diameter 3mm.



[Recommended type]

R255G3/26WC04N51-4LC-C5*4-M5/0.5	End 1 is R255G3/26WC04N51; end 2 is 4 LC, MM 62.5/125 Φ 5 field fiber, 5m, branch fiber length 0.5m.
R255G3/26WC04N51-4LC-C5*4-M10/0.5	End 1 is R255G3/26WC04N51; end 2 is 4 LC, MM 62.5/125 Φ 5 field fiber, 10m, branch fiber length 0.5m.
R255G3/26WC04N51-4LC-C5*4-M20/0.5	End 1 is R255G3/26WC04N51; end 2 is 4 LC, MM 62.5/125 Φ 5 field fiber, 20m, branch fiber length 0.5m.
R255G3/26WC04N51-4LC-C5*4-M50/0.5	End 1 is R255G3/26WC04N51; end 2 is 4 LC, MM 62.5/125 Φ 5 field fiber, 50m, branch fiber length 0.5m.
R255G3/26WC04N51-4LC-C5*4-M100/0.5+SFJ03A	End 1 is R255G3/26WC04N51, end 2 is 4 LC, MM 62.5/125 Φ 5 field fiber, 100m, branch fiber length 0.5m, SFJ03A bracket
R255G3/26WC04N51-4LC-C5*4-M200/0.5+SFJ04A	End 1 is R255G3/26WC04N51, end 2 is 4 LC, MM 62.5/125 Φ 5 field fiber, 200m, branch fiber length 0.5m, SFJ04A bracket
R255G3/26WC04N51-4LC-C5*4-M500/0.5+SFJ04B	End 1 is R255G3/26WC04N51, end 2 is 4 LC, MM 62.5/125 Φ 5 field fiber, 500m, branch fiber length 0.5m, SFJ04B bracket
R255G3/26WC04N51-4LC-C5*4-M1000/0.5+SFJ04C	End 1 is R255G3/26WC04N51, end 2 is 4 LC, MM 62.5/125 Φ 5 field fiber, 1000m, branch fiber length 0.5m, SFJ04C bracket
R255G3/26WD06N51-6LC-C6*6-M5/0.5	End 1 is R255G3/26WD06N51, end 2 is 6 LC, 62.5/125 Φ 6 MM field fiber, 5m, branch fiber length 0.5m
R255G3/26WD06N51-6LC-C6*6-M10/0.5	End 1 is R255G3/26WD06N51, end 2 is 6 LC, 62.5/125 Φ 6 MM field fiber, 10m, branch fiber length 0.5m
R255G3/26WD06N51-6LC-C6*6-M20/0.5	End 1 is R255G3/26WD06N51, end 2 is 6 LC, 62.5/125 Φ 6 MM field fiber, 20m, branch fiber length 0.5m
R255G3/26WD06N51-6LC-C6*6-M50/0.5	End 1 is R255G3/26WD06N51, end 2 is 6 LC, 62.5/125 Φ 6 MM field fiber, 50m, branch fiber length 0.5m
R255G3/26WD06N51-6LC-C6*6-M100/0.5+SFJ04A	End 1 is R255G3/26WD06N51, end 2 is 6 LC, 62.5/125 Φ 6 MM field fiber, 100m, branch fiber length 0.5m, SFJ04A bracket
R255G3/26WD06N51-6LC-C6*6-M200/0.5+SFJ04A	End 1 is R255G3/26WD06N51, end 2 is 6 LC, 62.5/125 Φ 6 MM field fiber, 200m, branch fiber length 0.5m, SFJ04A bracket
R255G3/26WD06N51-6LC-C6*6-M500/0.5+SFJ04B	End 1 is R255G3/26WD06N51, end 2 is 6 LC, 62.5/125 Φ 6 MM field fiber, 500m, branch fiber length 0.5m, SFJ04B bracket
R255G3/26WE08N51-8LC-C6*8-M5/0.5	End 1 is R255G3/26WE08N51, end 2 is 8 LC, 62.5/125 Φ 6 MM field fiber, 5m, branch fiber length 0.5m
R255G3/26WE08N51-8LC-C6*8-M10/0.5	End 1 is R255G3/26WE08N51, end 2 is 8 LC, 62.5/125 Φ 6 MM field fiber, 10m, branch fiber length 0.5m
R255G3/26WE08N51-8LC-C6*8-M20/0.5	End 1 is R255G3/26WE08N51, end 2 is 8 LC, 62.5/125 Φ 6 MM field fiber, 20m, branch fiber length 0.5m
R255G3/26WE08N51-8LC-C6*8-M50/0.5	End 1 is R255G3/26WE08N51, end 2 is 8 LC, 62.5/125 Φ 6 MM field fiber, 50m, branch fiber length 0.5m
R255G3/26WE08N51-8LC-C6*8-M100/0.5+SFJ04A	End 1 is R255G3/26WE08N51, end 2 is 8 LC, 62.5/125 Φ 6 MM field fiber, 100m, branch fiber length 0.5m, SFJ04A bracket
R255G3/26WE08N51-8LC-C6*8-M200/0.5+SFJ04A	End 1 is R255G3/26WE08N51, end 2 is 8 LC, 62.5/125 Φ 6 MM field fiber, 200m, branch fiber length 0.5m, SFJ04A bracket
R255G3/26WE08N51-8LC-C6*8-M500/0.5+SFJ04B	End 1 is R255G3/26WE08N51, end 2 is 8 LC, 62.5/125 Φ 6 MM field fiber, 500m, branch fiber length 0.5m, SFJ04B bracket



	length 0.5m, SFJ04B bracket
--	-----------------------------

[Length tolerance figure]

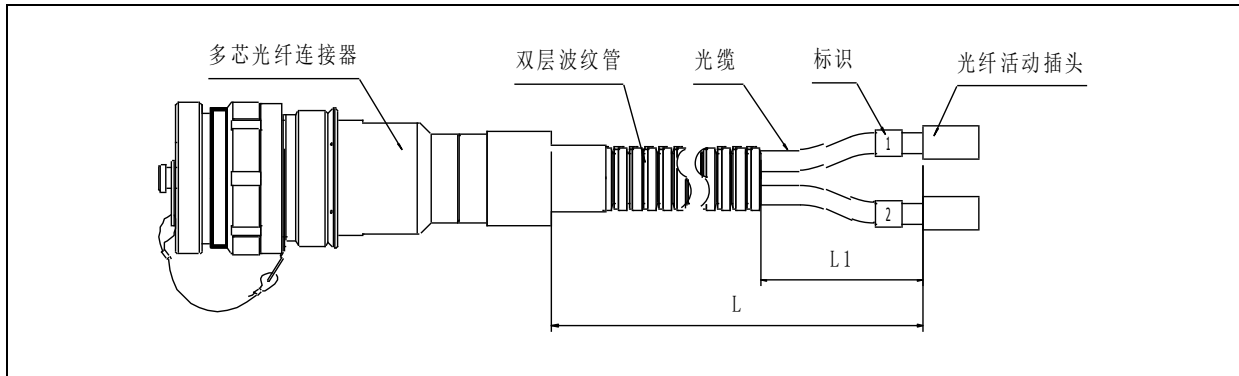
L & L1 nominal value (m)	Length tolerance ΔL (cm)	Branch length tolerance ΔL1 (cm)
0~0.2	+3 0	+1.5 0
>0.2~1	+5 0	+3 0
>1~3	+8 0	+5 0
>3~10	+10 0	+8 0
>10	0~nominal value*1% (m)	0~nominal value*1% (m)

[Connector type and according fiber type] (Take F plating for example):

MS size	Configuration	Part number	Feature	Part number	Armored fiber feature
B	02	R255G3/26FB02N51	C5*2	R255G3/26FB02N41	C5*2
		R255G3/20FB02N31		R255G3/20FB02N41	
C	04	R255G3/26FC04N51	C5*4	R255G3/26FC04N41	C7*4
		R255G3/20FC04N31		R255G3/20FC04N41	
D	06	R255G3/26FD06N51	C6*6	R255G3/26FD06N41	C7*6
		R255G3/20FD06N31		R255G3/26FD06N41	
E	08	R255G3/26FE08N51	C6*8	R255G3/26FE08N41	C7*8
		R255G3/20FE08N31		R255G3/26FE08N41	
F	12	R255G3/26FF12N51	C7*12	R255G3/26FF12N41	C7*12
		R255G3/20FF12N31		R255G3/20FF12N41	
G	16	R255G3/26FG16N51	C7*16	R255G3/26FG16N41	C12*16
		R255G3/20FG16N31		R255G3/20FG16N41	
H	24	R255G3/26FH24N51	C12*24		
		R255G3/20FH24N31			

V type optical fiber assembly

[Outline dimensions]



Feature: End 1 of the fiber assembly is multi-core optical connector; end 2 is normal optical connector. The fiber is in door fiber and is protected by ripple tube.

[Ordering information]

End 1	R255G3/26FB02N01	-2FC	-M2	-L30/0.5
End 2	2-means the quantity FC-plug type, can be SC/LC/ST/DIN, etc.			
Fiber characteristics	2-fiber diameter (mm) M- optical transmission mode: S-SM G652, M-MM 62.5/125, MI-MM 50/125, MIV—MM high speed OM3 (50/125)			
Fiber characteristics	30- fiber length L (Unit: m) 0.5- branch fiber length L1 (Unit: m)			

[Part number example]

R255G3/26FB02N01-2FC- M2-L5/0.5

End 1 is R255G3/26FB02N01 plug (with straight back accessory), mounted with ripple tube; end 2 is 2 FC plugs, Φ 2 MM 62.5/125 fiber, fiber length 5m, branch fiber length 0.5m.

R255G3/20WC04N03-4LC-MI2-L2/0.2

End 1 is R255G3/20WC04N03 receptacle (with right-angle back accessory), mounted with ripple tube; end 2 is 4 LC plugs, Φ 2 MM 50/125 fiber, fiber length 2m, branch fiber length 0.2m.

[Recommended type]

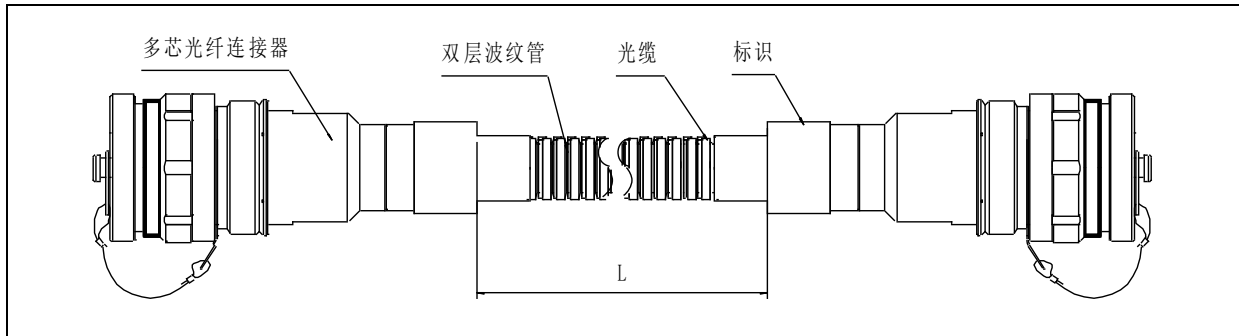
R255G3/26WC04N01-4LC-M2-L1/0.3	End 1 is R255G3/26WC04N01, end 2 is 4 LC, ϕ 2 MM 62.5/125 fiber, 1m, branch fiber 0.3m
R255G3/26WC04N01-4LC-M2-L2/0.3	End 1 is R255G3/26WC04N01, end 2 is 4 LC, ϕ 2 MM 62.5/125 fiber, 2m, branch fiber 0.3m
R255G3/26WC04N01-4LC-M2-L5/0.3	End 1 is R255G3/26WC04N01, end 2 is 4 LC, ϕ 2 MM 62.5/125 fiber, 5m, branch fiber 0.3m
R255G3/26WC04N01-4LC-M2-L10/0.3	End 1 is R255G3/26WC04N01, end 2 is 4 LC, ϕ 2 MM 62.5/125 fiber, 10m, branch fiber 0.3m
R255G3/26WC04N01-4LC-M2-L15/0.3	End 1 is R255G3/26WC04N01, end 2 is 4 LC, ϕ 2 MM 62.5/125 fiber, 15m, branch fiber 0.3m
R255G3/26WC04N01-4LC-M2-L20/0.3	End 1 is R255G3/26WC04N01, end 2 is 4 LC, ϕ 2 MM 62.5/125 fiber, 20m, branch fiber 0.3m
R255G3/26WD06N01-6LC-M2-L1/0.3	End 1 is R255G3/26WD06N01, end 2 is 6 LC, ϕ 2 MM 62.5/125 fiber, 1m, branch fiber 0.3m
R255G3/26WD06N01-6LC-M2-L2/0.3	End 1 is R255G3/26WD06N01, end 2 is 6 LC, ϕ 2 MM 62.5/125 fiber, 2m, branch fiber 0.3m



R255G3/26WD06N01-6LC-M2-L5/0.3	End 1 is R255G3/26WD06N01, end 2 is 6 LC,φ2 MM 62.5/125 fiber, 5m, branch fiber 0.3m
R255G3/26WD06N01-6LC-M2-L10/0.3	End 1 is R255G3/26WD06N01, end 2 is 6 LC,φ2 MM 62.5/125 fiber, 10m, branch fiber 0.3m
R255G3/26WD06N01-6LC-M2-L15/0.3	End 1 is R255G3/26WD06N01, end 2 is 6 LC,φ2 MM 62.5/125 fiber, 15m, branch fiber 0.3m
R255G3/26WD06N01-6LC-M2-L20/0.3	End 1 is R255G3/26WD06N01, end 2 is 6 LC,φ2 MM 62.5/125 fiber, 20m, branch fiber 0.3m
R255G3/26WE08N01-8LC-M2-L1/0.3	End 1 is R255G3/26WE08N01, end 2 is 8 LC,φ2 MM 62.5/125 fiber, 1m, branch fiber 0.3m
R255G3/26WE08N01-8LC-M2-L2/0.3	End 1 is R255G3/26WE08N01, end 2 is 8 LC,φ2 MM 62.5/125 fiber, 2m, branch fiber 0.3m
R255G3/26WE08N01-8LC-M2-L5/0.3	End 1 is R255G3/26WE08N01, end 2 is 8 LC,φ2 MM 62.5/125 fiber, 5m, branch fiber 0.3m
R255G3/26WE08N01-8LC-M2-L10/0.3	End 1 is R255G3/26WE08N01, end 2 is 8 LC,φ2 MM 62.5/125 fiber, 10m, branch fiber 0.3m
R255G3/26WE08N01-8LC-M2-L15/0.3	End 1 is R255G3/26WE08N01, end 2 is 8 LC,φ2 MM 62.5/125 fiber, 15m, branch fiber 0.3m
R255G3/26WE08N01-8LC-M2-L20/0.3	End 1 is R255G3/26WE08N01, end 2 is 8 LC,φ2 MM 62.5/125 fiber, 20m, branch fiber 0.3m
R255G3/26WJ32N01-32LC-M2-L1/0.3	End 1 is R255G3/26WJ32N01, end 2 is 32 LC,φ2 MM 62.5/125 fiber, 1m, branch fiber 0.3m
R255G3/26WJ32N01-32LC-M2-L2/0.3	End 1 is R255G3/26WJ32N01, end 2 is 32 LC,φ2 MM 62.5/125 fiber, 2m, branch fiber 0.3m
R255G3/26WJ32N01-32LC-M2-L5/0.3	End 1 is R255G3/26WJ32N01, end 2 is 32 LC,φ2 MM 62.5/125 fiber, 5m, branch fiber 0.3m
R255G3/26WJ32N01-32LC-M2-L10/0.3	End 1 is R255G3/26WJ32N01, end 2 is 32 LC,φ2 MM 62.5/125 fiber, 10m, branch fiber 0.3m
R255G3/26WJ32N01-32LC-M2-L15/0.3	End 1 is R255G3/26WJ32N01, end 2 is 32 LC,φ2 MM 62.5/125 fiber, 15m, branch fiber 0.3m
R255G3/26WJ32N01-32LC-M2-L20/0.3	End 1 is R255G3/26WJ32N01, end 2 is 32 LC,φ2 MM 62.5/125 fiber, 20m, branch fiber 0.3m

VI type optical fiber assembly

[Outline dimensions]



Feature: Both ends of the fiber assembly are multi-core optical connectors; the fiber is in door fiber and is protected by ripple tube.

[Ordering information]

End 1	R255G3/26FB02B1N01	- R255G3/26FB02B1N01	-M2	-L5
End 2	End 2 connector part number			
Fiber characteristics	2-fiber diameter (mm)			
Fiber characteristics	M-optical transmission mode: S-SM G652, M-MM 62.5/125, MI-MM 50/125, MIV—MM high speed OM3 (50/125)			
Fiber characteristics	5-fiber length L (Unit: m)			

[Part number example]

R255G3/26FB02N01- R255G3/26FB02N03-M2-L5

End 1 is R255G3/26FB02N01 plug (with straight back accessory), end 2 is R255G3/26FB02N03 plug (with right-angle back accessory), mounted with ripple tube; $\Phi 2$ MM 62.5/125 fiber, length 5m.

R255G3/20FC04N01- R255G3/26FC04N01-MI2-L5

End 1 is R255G3/20FC04N01 receptacle, end 2 is R255G3/26FC04N01 plug (with straight back accessory), mounted with ripple tube; $\Phi 2$ MM 50/125 fiber, fiber length 3m.

[Recommended type]

R255G3/26WC04N01-R255G3/26WC04N01-M2-L1	Both ends are R255G3/26WC04N01, $\phi 2$ MM 62.5/125 fiber, 1m.
R255G3/26WC04N01-R255G3/26WC04N01-M2-L2	Both ends are R255G3/26WC04N01, $\phi 2$ MM 62.5/125 fiber, 2m.
R255G3/26WC04N01-R255G3/26WC04N01-M2-L5	Both ends are R255G3/26WC04N01, $\phi 2$ MM 62.5/125 fiber, 5m.
R255G3/26WC04N01-R255G3/26WC04N01-M2-L10	Both ends are R255G3/26WC04N01, $\phi 2$ MM 62.5/125 fiber, 10m.
R255G3/26WC04N01-R255G3/26WC04N01-M2-L15	Both ends are R255G3/26WC04N01, $\phi 2$ MM 62.5/125 fiber, 15m.
R255G3/26WC04N01-R255G3/26WC04N01-M2-L20	Both ends are R255G3/26WC04N01, $\phi 2$ MM 62.5/125 fiber, 20m.
R255G3/26WD06N01-R255G3/26WD06N01-M2-L1	Both ends are R255G3/26WD06N01, $\phi 2$ MM 62.5/125 fiber, 1m.
R255G3/26WD06N01-R255G3/26WD06N01-M2-L2	Both ends are R255G3/26WD06N01, $\phi 2$ MM 62.5/125 fiber, 2m.
R255G3/26WD06N01-R255G3/26WD06N01-M2-L5	Both ends are R255G3/26WD06N01, $\phi 2$ MM 62.5/125 fiber, 5m.
R255G3/26WD06N01-R255G3/26WD06N01-M2-L10	Both ends are R255G3/26WD06N01, $\phi 2$ MM 62.5/125 fiber, 10m.
R255G3/26WD06N01-R255G3/26WD06N01-M2-L15	Both ends are R255G3/26WD06N01, $\phi 2$ MM 62.5/125 fiber, 15m.



R255G3/26WD06N01-R255G3/26WD06N01-M2-L20	Both ends are R255G3/26WD06N01, ϕ 2 MM 62.5/125 fiber, 20m.
R255G3/26WE08N01-R255G3/26WE08N01-M2-L1	Both ends are R255G3/26WE08N01, ϕ 2 MM 62.5/125 fiber, 1m.
R255G3/26WE08N01-R255G3/26WE08N01-M2-L2	Both ends are R255G3/26WE08N01, ϕ 2 MM 62.5/125 fiber, 2m.
R255G3/26WE08N01-R255G3/26WE08N01-M2-L5	Both ends are R255G3/26WE08N01, ϕ 2 MM 62.5/125 fiber, 5m.
R255G3/26WE08N01-R255G3/26WE08N01-M2-L10	Both ends are R255G3/26WE08N01, ϕ 2 MM 62.5/125 fiber, 10m.
R255G3/26WE08N01-R255G3/26WE08N01-M2-L15	Both ends are R255G3/26WE08N01, ϕ 2 MM 62.5/125 fiber, 15m.
R255G3/26WE08N01-R255G3/26WE08N01-M2-L20	Both ends are R255G3/26WE08N01, ϕ 2 MM 62.5/125 fiber, 20m.
R255G3/26WJ32N01- R255G3/26WJ32N01-M2-L1	Both ends are R255G3/26WJ32N01, ϕ 2 MM 62.5/125 fiber, 1m.
R255G3/26WJ32N01- R255G3/26WJ32N01-M2-L2	Both ends are R255G3/26WJ32N01, ϕ 2 MM 62.5/125 fiber, 2m.
R255G3/26WJ32N01- R255G3/26WJ32N01-M2-L5	Both ends are R255G3/26WJ32N01, ϕ 2 MM 62.5/125 fiber, 5m.
R255G3/26WJ32N01- R255G3/26WJ32N01-M2-L10	Both ends are R255G3/26WJ32N01, ϕ 2 MM 62.5/125 fiber, 10m.
R255G3/26WJ32N01- R255G3/26WJ32N01-M2-L15	Both ends are R255G3/26WJ32N01, ϕ 2 MM 62.5/125 fiber, 15m.
R255G3/26WJ32N01- R255G3/26WJ32N01-M2-L20	Both ends are R255G3/26WJ32N01, ϕ 2 MM 62.5/125 fiber, 20m.