

R255 series optical connectors

Brief introduction

-Enterprise standard: Q/21EJ841,
ILD711A (MIL-DTL-38999) III series interface
-Applicable for aviation, electronic, weapon,
vessel, etc.

Feature:

- Different shell materials and plating, applicable for different environments
- Five-keyway orientation, blind mating, anti mis-mating function
- Tri-start thread quick coupling with anti-loose mechanism
- Ceramic ferrule and sleeve to achieve precise mating
- Various accessory types
- Adaptor(hermetic type optional) without optical cable bondage



Main technical characteristics

- Insertion loss: $\leq 0.6\text{dB}$ (≤ 4 cores), $\leq 0.75\text{dB}$ (≥ 5 cores)
- Operating temperature: $-55^{\circ}\text{C} \sim +85^{\circ}\text{C}$
- Vibration: $10 \sim 2000\text{Hz}$, acceleration 147m/s^2
- Shock: 980m/s^2
- Endurance: 500 cycles
- Tensile strength: $\geq 720\text{N}$ (multi-core cable)

[Plug ordering information]

Basic series	R255/	26	W	C	04	B1	N	01	-M2
Shell type	26-Plug								
Plating	W-aluminum alloy, olive green cadmium plating F-aluminum alloy, electroless nickel plating K- stainless steel passive								
Shell No.	9	11	13	15	17	19	21	23	25
Index No.	A	B	C	D	E	F	G	H	J
Configuration	See the configuration picture for details.								
Contact type	B1-optical socket								
Polarization	N-normal; A/B/C/D/E-alternative								
Design code	01: straight back accessory with ripple tube, applicable to $\varnothing 2$ single core fiber 02: non back accessory, applicable to $\varnothing 2$ single core fiber 03: right-angle back accessory with ripple tube, applicable to $\varnothing 2$ single core fiber 41: applicable to multi-core armored fiber								



	Non design code: applicable to multi-core field fiber
Applicable fiber	<p>1. When design code is 01/02/03, applicable fiber type (in-door fiber) includes:</p> <p>M2—ϕ2 single core MM 62.5/125 fiber</p> <p>S2—ϕ2 single core SM 9/125 fiber</p> <p>MI2—ϕ2 single core MM 50/125 fiber</p> <p>MIV2—ϕ2 single core MM OM3 50/125 fiber</p> <p>2. When design code is 41, applicable fiber type (out-door fiber) includes:</p> <p>M—MM 62.5/125 multi-core armored fiber</p> <p>S—SM G652 9/125 multi-core armored fiber</p> <p>MI—MM 50/125 multi-core armored fiber</p> <p>MIV—MM OM3 50/125 multi-core armored fiber</p> <p>3. Non design code, applicable fiber type (out-door fiber) includes:</p> <p>M—MM 62.5/125 multi-core field fiber</p> <p>S—SM 9/125 multi-core field fiber</p> <p>MI—MM 50/125 multi-core field fiber</p> <p>MIV—MM OM3 50/125 multi-core field fiber</p> <p>4.G—empty shell, not contain optical contact</p>



[Receptacle ordering information]


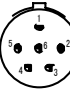






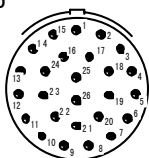
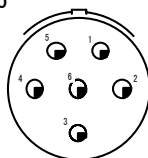
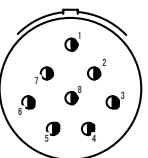
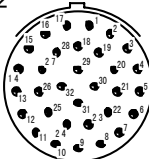
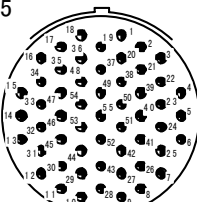
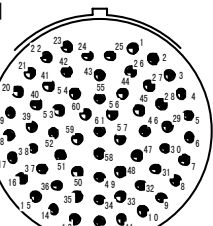
Basic series	R255/	20	W	C	04	A1	N	01	-M2
Shell type	20-square flange receptacle 24-jam nut receptacle 21-hermetic square flange receptacle								
Plating	W-aluminum alloy, olive green cadmium plating F-aluminum alloy, electroless nickel plating K- stainless steel passive								
Shell No.	9	11	13	15	17	19	21	23	25
Index No.	A	B	C	D	E	F	G	H	J
Configuration	See the configuration picture for details.								
Contact type	A1-optical pin								
Polarization	N-normal; A/B/C/D/E-alternative								
Design code	01: straight back accessory with ripple tube, applicable to $\phi 2$ single core fiber 03: right-angle back accessory with ripple tube, applicable to $\phi 2$ single core fiber 41: applicable to multi-core armored fiber 31: applicable to multi-core field fiber Omit: non back accessory, applicable to single core fiber								
Applicable fiber	1. When design code is 01/03, applicable fiber type (in-door fiber) includes: M2— $\phi 2$ single core MM 62.5/125 fiber S2— $\phi 2$ single core SM 9/125 fiber MI2— $\phi 2$ single core MM 50/125 fiber MIV2— $\phi 2$ single core MM OM3 50/125 fiber 2. When design code is 41/31, applicable fiber type includes: M—MM 62.5/125 multi-core armored fiber S—SM G652 9/125 multi-core armored fiber MI—MM 50/125 multi-core armored fiber MIV—MM OM3 50/125 multi-core armored fiber 3. Non design code, applicable fiber type includes: M2— $\phi 2$ single core MM 62.5/125 fiber S2— $\phi 2$ single core SM 9/125 fiber MI2— $\phi 2$ single core MM 50/125 fiber MIV2— $\phi 2$ single core MM OM3 50/125 fiber M0.9— $\phi 0.9$ single core MM 62.5/125 fiber S0.9— $\phi 0.9$ single core SM 9/125 fiber MI0.9— $\phi 0.9$ single core MM 50/125 fiber MIV0.9— $\phi 0.9$ single core MM OM3 50/125 fiber								



[Adapter ordering information]

Basic series	R255/	24	Y	H	55	C1	N	-S	
Shell type	20-square flange receptacle 24-jam nut receptacle								
Plating	W-aluminum alloy, olive green cadmium plating F-aluminum alloy, electroless nickel plating K- stainless steel passive Y- stainless steel passive (hermetic)								
Shell No.	9	11	13	15	17	19	21	23	25
Index No.	A	B	C	D	E	F	G	H	J
Configuration	See the configuration picture for details.								
Contact type	C1: wall-through optical pin								
Polarization	N-normal; A/B/C/D/E-alternative								
Transmission mode	S – SM M – MM(62.5/125) MI – MM(50/125) MIV – MM OM3(50/125)								

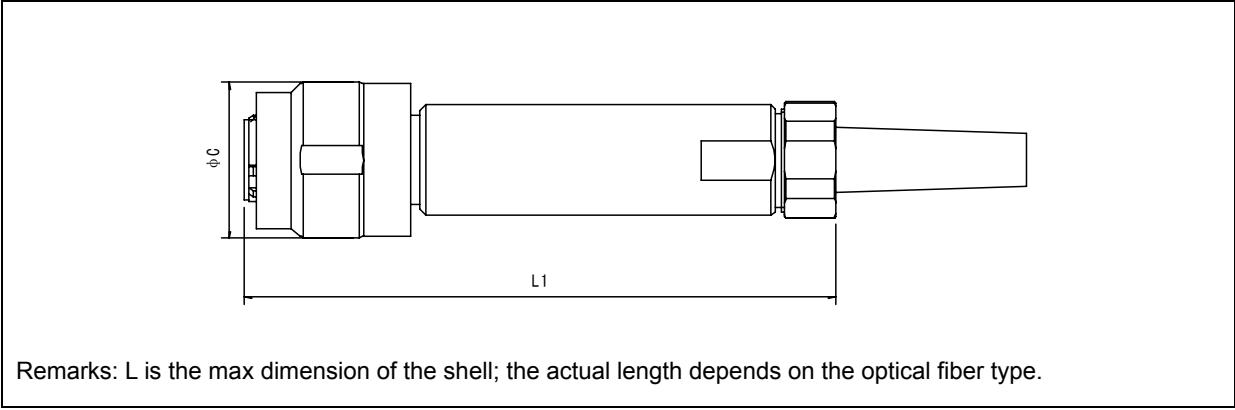
Configuration (receptacle with pins)

Shell number 09 (A)	94  2-20#			
11 (B)	98  6-20#	04  4-20#	01  1-12#	02  2-16#
13 (C)	08  8-20#	04  4-16#		
15 (D)	18  18-20#			
17 (E)	26  26-20#	06  6-12#	08  8-16#	
19 (F)	32  32-20#			
23 (H)	55  55-20#			
25 (J)	61  61-20#			

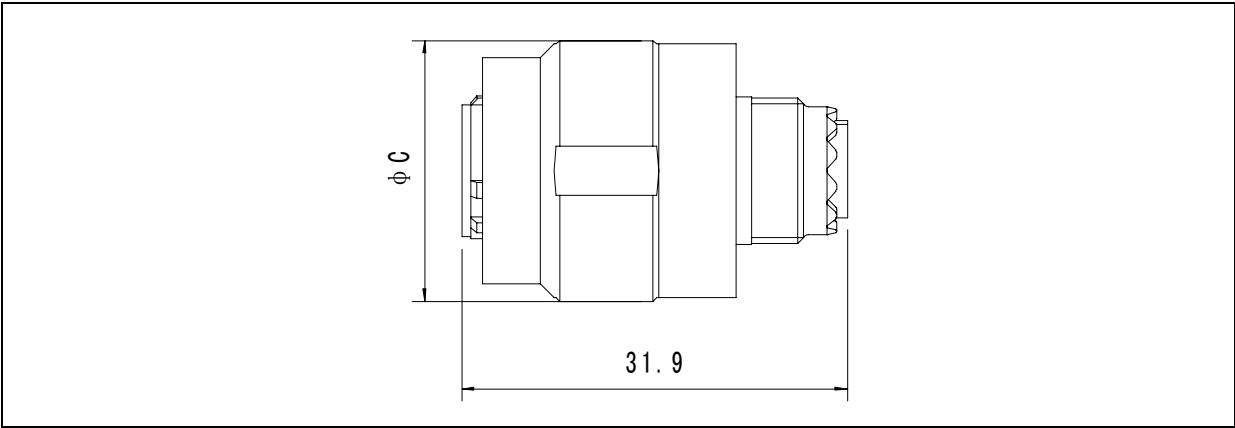
 20#
  16#
  12#

Outline dimensions

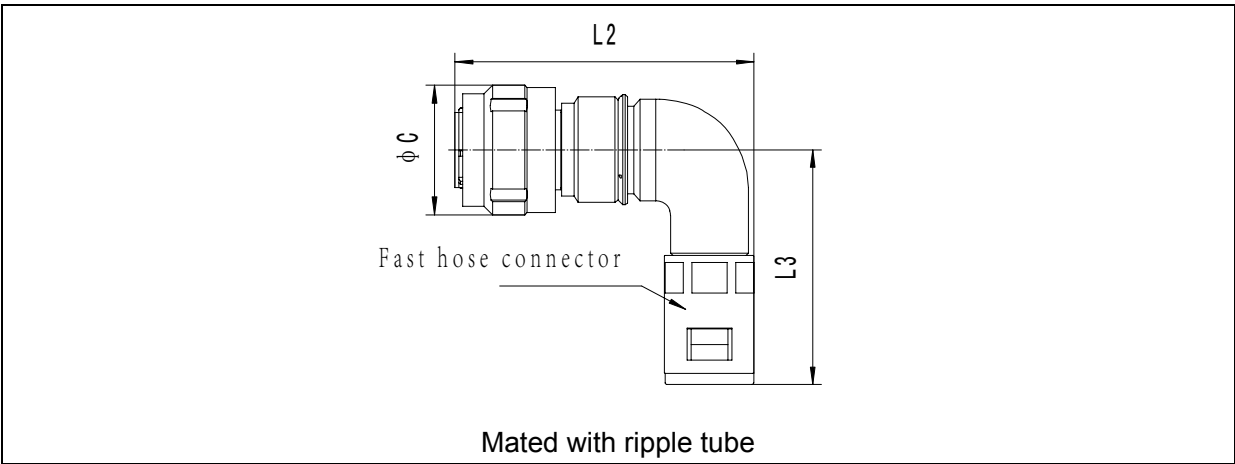
[Plug assembly 1]



[Non accessory plug assembly 2]

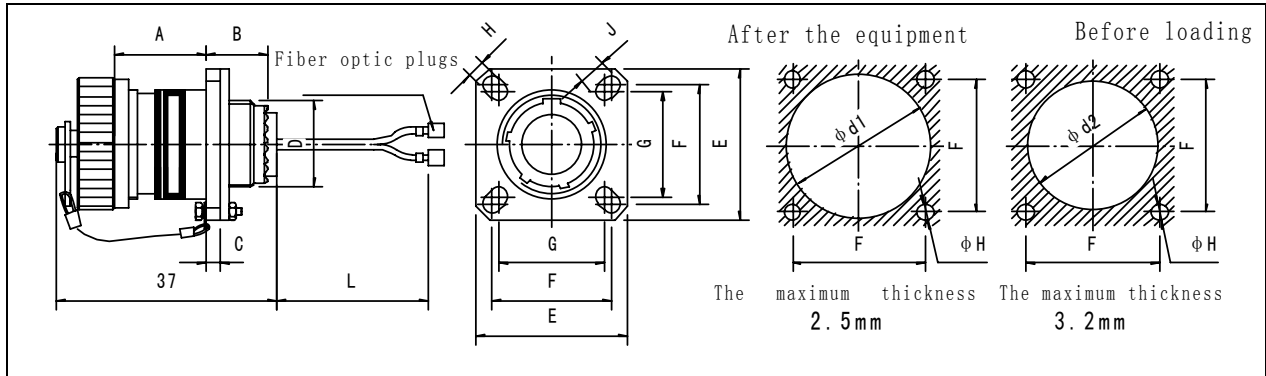


[Right-angle accessory plug assembly 3]



Shell size	MS size	C	L1	L2	L3
9	A	21.80	81	63.00	45.60
11	B	25.00	83	63.00	44.50
13	C	29.40	83	67.90	53.40
15	D	32.40	94	68.50	55.40
17	E	35.60	111	70.66	63.30
19	F	38.50	non	74.19	57.00
23	H	44.90	160	80.20	73.00
25	J	48.00	non	83.41	80.00

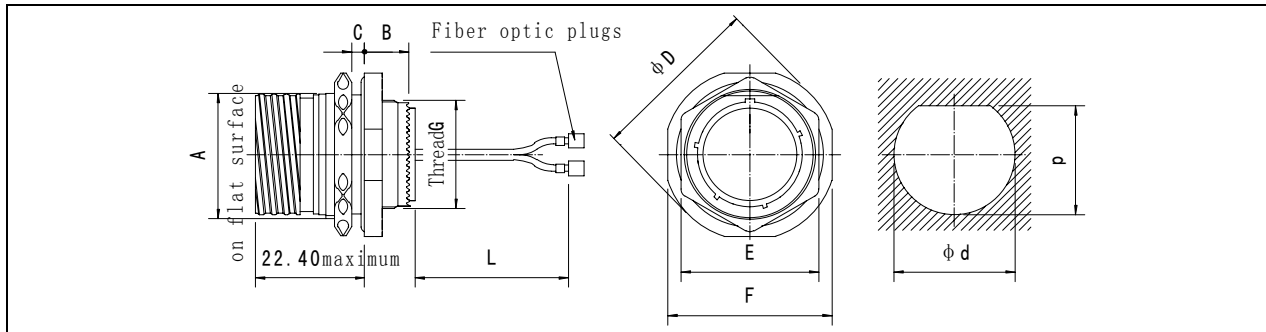
[Square flange receptacle assembly]



Shell size	MS size	A max	B max	C max	D thread	E	F	G	H	J	d1 min	d2 min
9	A	20.90	10.60	2.50	M12×1-6g	23.80	18.26	15.09	3.25	5.49	16.66	13.11
11	B	20.90	10.60	2.50	M15×1-6g	26.20	20.62	18.26	3.25	4.93	20.22	15.88
13	C	20.90	10.60	2.50	M18×1-6g	28.60	23.01	20.62	3.25	4.93	23.42	19.05
15	D	20.90	10.60	2.50	M22×1-6g	31.00	24.61	23.01	3.25	4.93	26.59	23.01
17	E	20.90	10.60	2.50	M25×1-6g	33.30	26.97	24.61	3.25	4.93	30.96	25.81
19	F	20.90	10.60	2.50	M28×1-6g	36.50	29.36	26.97	3.25	4.93	32.94	28.98
21	G	20.10	11.40	3.20	M31×1-6g	39.70	31.75	29.36	3.25	4.93	36.12	32.16
23	H	20.10	11.40	3.20	M34×1-6g	42.90	34.93	31.75	3.91	6.15	39.29	34.93
25	J	20.10	11.40	3.20	M37×1-6g	46.00	38.10	34.93	3.91	6.15	42.47	37.69

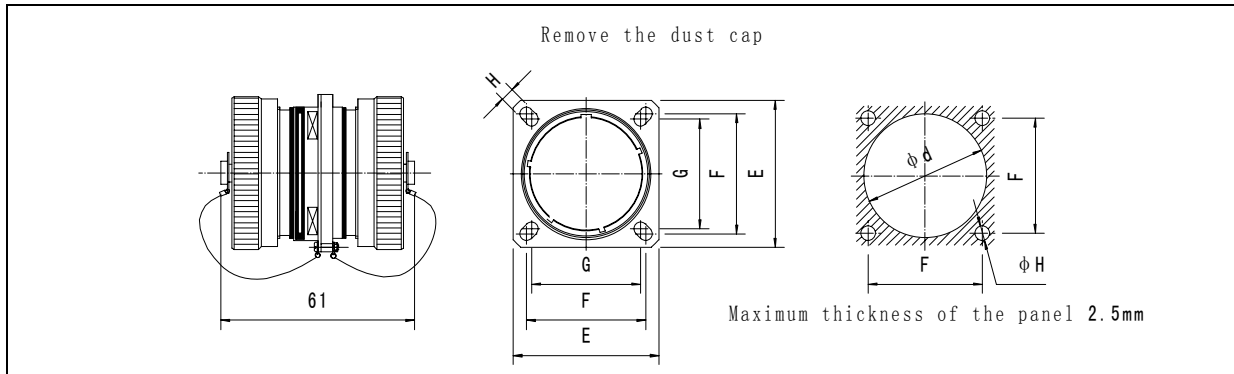
Note: A is the dimension from the mounting surface to the receptacle termination.

[Jam nut receptacle assembly]



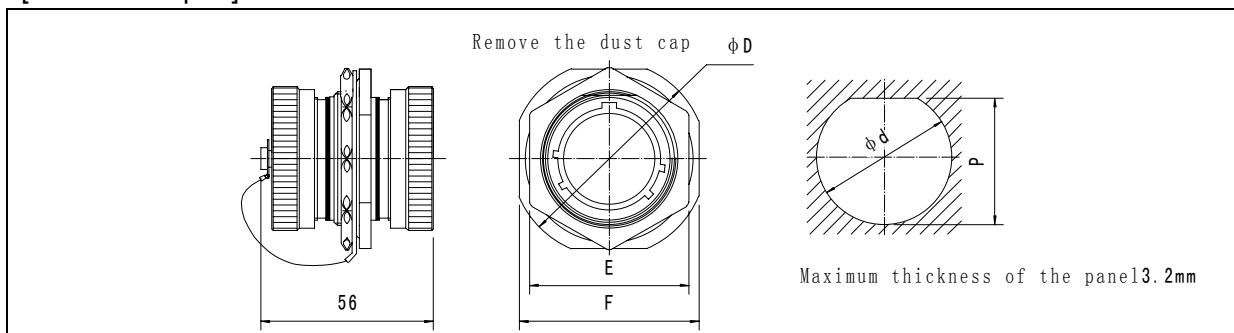
Shell size	MS size	A	B max	C max	D max	E max	F	G thread	d	p
9	A	16.50	9.90	3.20	30.50	24.00	27.00	M12×1-6g	17.70	16.99
11	B	19.30	9.90	3.20	35.20	27.00	31.80	M15×1-6g	20.88	19.53
13	C	24.00	9.90	3.20	38.40	32.00	34.90	M18×1-6g	25.58	24.26
15	D	27.20	9.90	3.20	41.60	36.00	38.10	M22×1-6g	28.80	27.53
17	E	30.40	9.90	3.20	44.80	37.00	41.30	M25×1-6g	31.98	30.68
19	F	33.40	9.90	3.20	49.30	41.00	46.00	M28×1-6g	35.15	33.86
21	G	36.50	9.90	3.20	52.70	46.00	49.20	M31×1-6g	38.28	37.06
23	H	39.70	9.90	3.20	55.90	50.00	52.40	M34×1-6g	41.50	40.24
25	J	42.80	9.90	3.20	59.00	51.23	55.60	M37×1-6g	44.68	43.41

[Square flange adapter]



Shell size	MS size	E	F	G	H	d min
9	A	23.80	18.26	15.09	3.25	16.66
11	B	26.20	20.62	18.26	3.25	20.22
13	C	28.60	23.01	20.62	3.25	23.42
15	D	31.00	24.61	23.01	3.25	26.59
17	E	33.30	26.97	24.61	3.25	30.96
19	F	36.50	29.36	26.97	3.25	32.94
21	G	39.70	31.75	29.36	3.25	36.12
23	H	42.90	34.93	31.75	3.91	39.29
25	J	46.00	38.10	34.93	3.91	42.47

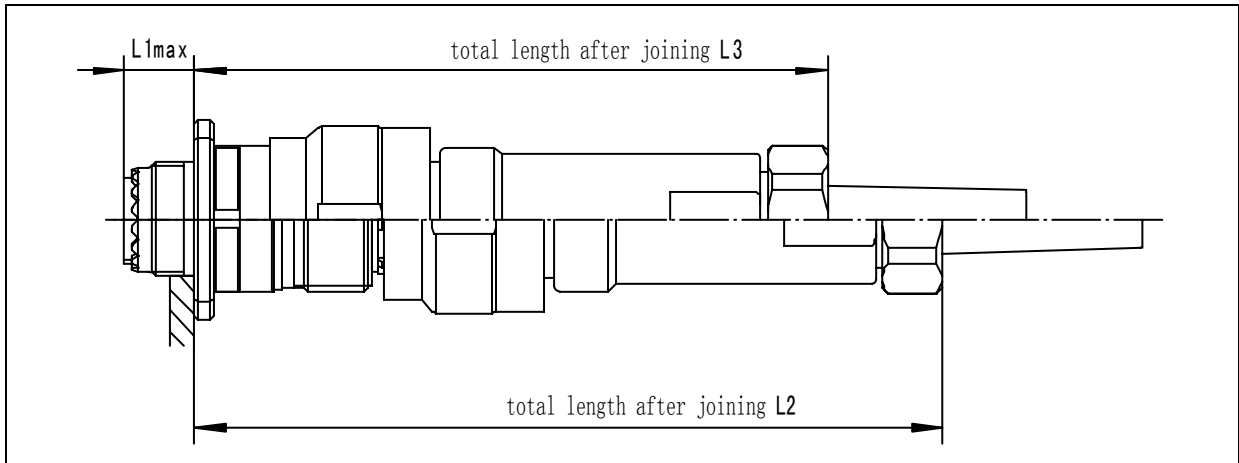
[Jam nut adapter]



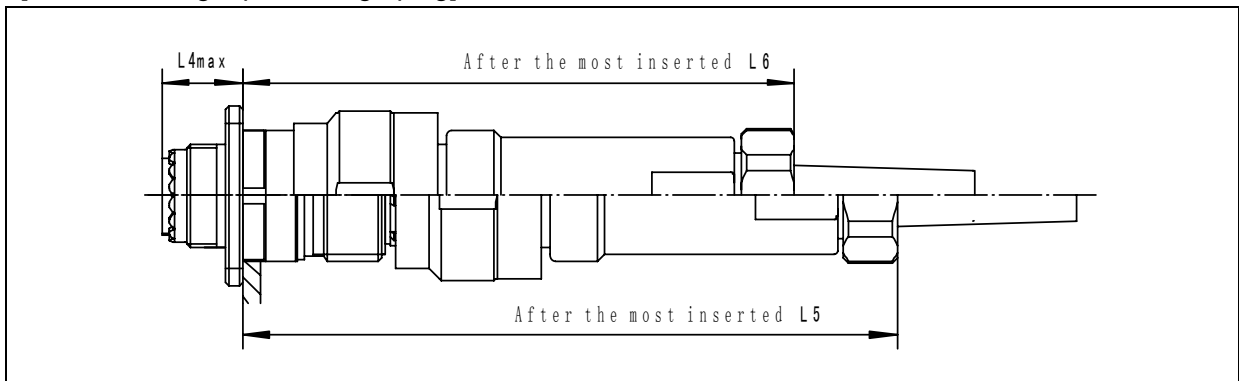
Shell size	MS size	D	E	F	d	p
9	A	30.50	24.00	27.00	17.70	16.99
11	B	35.20	27.00	31.80	20.88	19.53
13	C	38.40	32.00	34.90	25.58	24.26
15	D	41.60	36.00	38.10	28.80	27.53
17	E	44.80	37.00	41.30	31.98	30.68
19	F	49.30	41.00	46.00	35.15	33.86
21	G	52.70	46.00	49.20	38.28	37.06
23	H	55.90	50.00	52.40	41.50	40.24
25	J	59.00	51.23	55.60	44.68	43.41

[Dimensions after mated]

[Front mounting square flange plug]



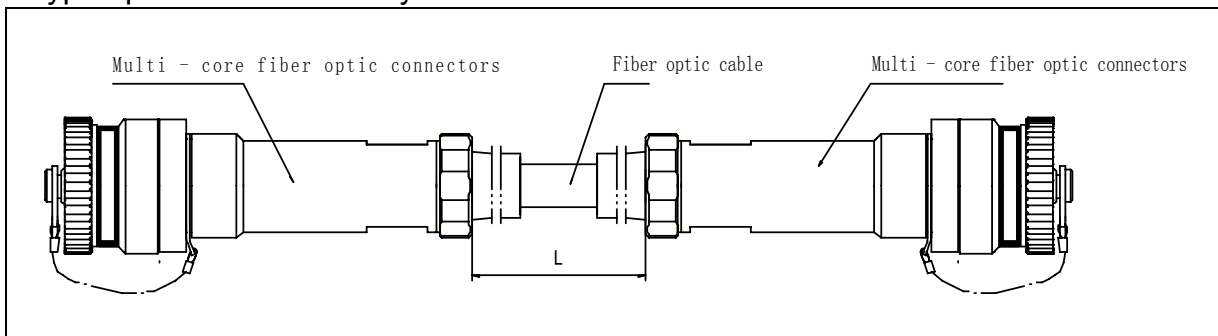
[Rear mounting square flange plug]



Shell size	A/09	B/11	C/13	D/15	E/17
L1	9.3	9.3	9.3	9.3	9.3
L2	104.1	97.9	97.4	114.8	132.8
L3	89.1	82.9	82.4	99.8	117.8
L4	11.8	11.8	11.8	11.8	11.8
L5	101.6	95.4	79.9	112.3	130.3
L6	86.6	80.4	94.9	97.3	115.3

J599III series optical fiber assembly

I type optical fiber assembly



Note: L is the cable length, according to customers' need.

[Ordering information]

End 1	R255/26FC04B1N	-R255/26FC04B1N	-C5*4	-S300	+SFJ04A
End 2					
Fiber characteristics	C—fiber characteristics code 5*4—fiber OD (mm)* fiber core number				
Transmission mode	S-optical transmission mode: S-SM G652, M-MM 62.5/125, MI-MM 50/125,				
Fiber length	300-fiber length L (Unit: m) The length can be customized.				
Bracket	Omit means no bracket. Portable type: SFJ03A, SFJ04A, etc. Wheeled type: SFJ05A, etc. See bracket introduction for details.				

[Part number example]

R255/26FB02B1N-R255/26FB02B1N-C5*2-M1000+SFJ05A

Both ends are R255/26FB02B1N-M plug, $\Phi 5$ two-core field fiber, MM 62.5/125, fiber length 1Km, SFJ05A bracket.

R255/26FC04B1N41-R255/26FC04B1N41-C7*4-M10

Both ends are R255/26FC04B1N41-M plug, $\Phi 7$ four-core armored fiber, MM 62.5/125, fiber length 10m.

R255/20FC04B1N41-R255/26FC04B1N41-C7*4-S30

End 1 is R255/20FC04B1N41-S receptacle; end 2 is R255/26FC04B1N41-S plug, $\Phi 7$ four-core armored fiber, SM 9/125, fiber length 30m.

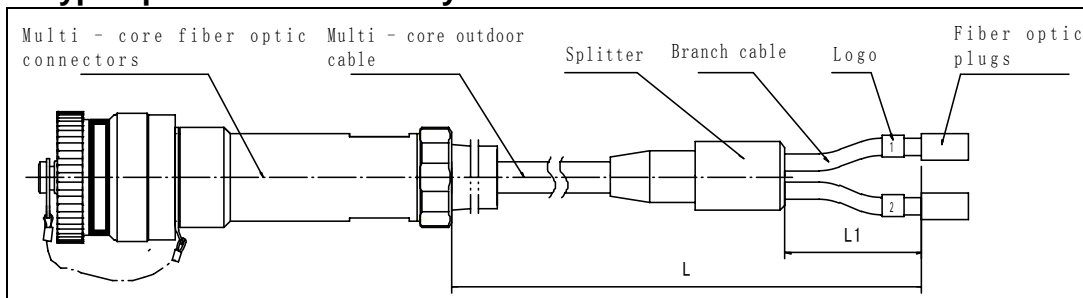
[Recommended type]

Shell	Configuration	Part number	Description
A	94	R255/26FA94B1N-R255/26FA94B1N-C5*2-S10	Both ends are R255/26FA94B1N plug, SM 9/125 $\Phi 5$ fiber, 10m
		R255/26FA94B1N-R255/26FA94B1N-C5*2-S20	Both ends are R255/26FA94B1N plug, SM 9/125 $\Phi 5$ fiber, 20m
		R255/26FA94B1N-R255/26FA94B1N-C5*2-S50	Both ends are R255/26FA94B1N plug, SM 9/125 $\Phi 5$ fiber, 50m
		R255/26FA94B1N-R255/26FA94B1N-C5*2-S100+SFJ0 3A	Both ends are R255/26FA94B1N plug, SM 9/125 $\Phi 5$ fiber, 100m, SFJ03A bracket
		R255/26FA94B1N-R255/26FA94B1N-C5*2-S200+SFJ0 3B	Both ends are R255/26FA94B1N plug, SM 9/125 $\Phi 5$ fiber, 200m, SFJ03B bracket
		R255/26FA94B1N-R255/26FA94B1N-C5*2-S500+SFJ0 4B	Both ends are R255/26FA94B1N plug, SM 9/125 $\Phi 5$ fiber, 500m SFJ04B bracket
B	98	R255/26FB98B1N-R255/26FB98B1N-C6*6-MIV10	Both ends are R255/26FB98B1N plug, MM OM3 50/125 $\Phi 6$ fiber, 10m
		R255/26FB98B1N-R255/26FB98B1N-C6*6-MIV20	Both ends are R255/26FB98B1N plug, MM OM3 50/125 $\Phi 6$ fiber, 20m
		R255/26FB98B1N-R255/26FB98B1N-C6*6-MIV50	Both ends are R255/26FB98B1N plug, MM OM3 50/125 $\Phi 6$ fiber, 50m
		R255/26FB98B1N-R255/26FB98B1N-C6*6-MIV100+S FJ04A	Both ends are R255/26FB98B1N plug, MM OM3 50/125 $\Phi 6$ fiber, 100m, SFJ04A bracket
		R255/26FB98B1N-R255/26FB98B1N-C6*6-MIV200+S FJ04A	Both ends are R255/26FB98B1N plug, MM OM3 50/125 $\Phi 6$ fiber, 200m, SFJ04A bracket
		R255/26FB98B1N-R255/26FB98B1N-C6*6-MIV500+S	Both ends are R255/26FB98B1N plug, MM OM3 50/125 $\Phi 6$ fiber, 500m,

		FJ04B	SFJ04B bracket
	04	R255/26FB04B1N-R255/26FB04B1N-C5*4-MIV10	Both ends are R255/26FB04B1N plug, MM OM3 50/125 Φ5 fiber, 10m
		R255/26FB04B1N-R255/26FB04B1N-C5*4-MIV20	Both ends are R255/26FB04B1N plug, MM OM3 50/125 Φ5 fiber, 20m
		R255/26FB04B1N-R255/26FB04B1N-C5*4-MIV50	Both ends are R255/26FB04B1N plug, MM OM3 50/125 Φ5 fiber, 50m
		R255/26FB04B1N-R255/26FB04B1N-C5*4-MIV100+S FJ03A	Both ends are R255/26FB04B1N plug, MM OM3 50/125 Φ5 fiber, 100m, SFJ03A bracket
		R255/26FB04B1N-R255/26FB04B1N-C5*4-MIV200+S FJ03B	Both ends are R255/26FB04B1N plug, MM OM3 50/125 Φ5 fiber, 200m, SFJ03B bracket
		R255/26FB04B1N-R255/26FB04B1N-C5*4-MIV500+S FJ04B	Both ends are R255/26FB04B1N plug, MM OM3 50/125 Φ5 fiber, 500m, SFJ04B bracket
	01	R255/26FB01B1N-R255/26FB01B1N-C5*1-MIV10	Both ends are R255/26FB01B1N plug, MM OM3 50/125 Φ5 fiber, 10m
		R255/26FB01B1N-R255/26FB01B1N-C5*1-MIV20	Both ends are R255/26FB01B1N plug, MM OM3 50/125 Φ5 fiber, 20m
		R255/26FB01B1N-R255/26FB01B1N-C5*1-MIV50	Both ends are R255/26FB01B1N plug, MM OM3 50/125 Φ5 fiber, 50m
		R255/26FB01B1N-R255/26FB01B1N-C5*1-MIV100+S FJ03A	Both ends are R255/26FB01B1N plug, MM OM3 50/125 Φ5 fiber, 100m, SFJ03A bracket
		R255/26FB01B1N-R255/26FB01B1N-C5*1-MIV200+S FJ03B	Both ends are R255/26FB01B1N plug, MM OM3 50/125 Φ5 fiber, 200m, SFJ03B bracket
		R255/26FB01B1N-R255/26FB01B1N-C5*1-MIV500+S FJ04B	Both ends are R255/26FB01B1N plug, MM OM3 50/125 Φ5 fiber, 500m, SFJ04B bracket
C	98	R255/26FC98B1N-R255/26FC98B1N-C7*10-M10	Both ends are R255/26FC98B1N plug, MM 62.5/125 Φ7 fiber, 10m
		R255/26FC98B1N-R255/26FC98B1N-C7*10-M20	Both ends are R255/26FC98B1N plug, MM 62.5/125 Φ7 fiber, 20m
		R255/26FC98B1N-R255/26FC98B1N-C7*10-M50	Both ends are R255/26FC98B1N plug, MM 62.5/125 Φ7 fiber, 50m
		R255/26FC98B1N-R255/26FC98B1N-C7*10-M100+SF J04A	Both ends are R255/26FC98B1N plug, MM 62.5/125 Φ7 fiber, 100m, SFJ04A bracket
		R255/26FC98B1N-R255/26FC98B1N-C7*10-M200+SF J04B	Both ends are R255/26FC98B1N plug, MM 62.5/125 Φ7 fiber, 200m, SFJ04B bracket
		R255/26FC98B1N-R255/26FC98B1N-C7*10-M500+SF J04C	Both ends are R255/26FC98B1N plug, MM 62.5/125 Φ7 fiber, 500m, SFJ04C bracket
	04	R255/26FC04B1N-R255/26FC04B1N-C5*4-M10	Both ends are R255/26FC04B1N plug, MM 62.5/125 Φ5 fiber, 10m
		R255/26FC04B1N-R255/26FC04B1N-C5*4-M20	Both ends are R255/26FC04B1N plug, MM 62.5/125 Φ5 fiber, 20m
		R255/26FC04B1N-R255/26FC04B1N-C5*4-M50	Both ends are R255/26FC04B1N plug, MM 62.5/125 Φ5 fiber, 50m
		R255/26FC04B1N-R255/26FC04B1N-C5*4-M100+SFJ 03A	Both ends are R255/26FC04B1N plug, MM 62.5/125 Φ5 fiber, 100m, SFJ03A bracket
		R255/26FC04B1N-R255/26FC04B1N-C5*4-M200+SFJ 03B	Both ends are R255/26FC04B1N plug, MM 62.5/125 Φ5 fiber, 200m, SFJ03B bracket
		R255/26FC04B1N-R255/26FC04B1N-C5*4-M500+SFJ 04B	Both ends are R255/26FC04B1N plug, MM 62.5/125 Φ5 fiber, 500m, SFJ04B bracket
	08	R255/26FC08B1N-R255/26FC08B1N-C6*8-MIV10	Both ends are R255/26FC08B1N plug, MM OM3 50/125 Φ6 fiber, 10m
		R255/26FC08B1N-R255/26FC08B1N-C6*8-MIV20	Both ends are R255/26FC08B1N plug, MM OM3 50/125 Φ6 fiber, 20m
		R255/26FC08B1N-R255/26FC08B1N-C6*8-MIV50	Both ends are R255/26FC08B1N plug, MM OM3 50/125 Φ6 fiber, 50m
		R255/26FC08B1N-R255/26FC08B1N-C6*8-MIV100+S FJ04A	Both ends are R255/26FC08B1N plug, MM OM3 50/125 Φ6 fiber, 100m, SFJ04A bracket
		R255/26FC08B1N-R255/26FC08B1N-C6*8-MIV200+S	Both ends are R255/26FC08B1N plug, MM OM3 50/125 Φ6 fiber, 200m,

		FJ04A	SFJ04A bracket
		R255/26FC08B1N-R255/26FC08B1N-C6*8-MIV500+S FJ04B	Both ends are R255/26FC08B1N plug, MM OM3 50/125 Φ6 fiber, 500m, SFJ04B bracket
D	18	R255/26FD18B1N-R255/26FD18B1N-C12*18-M10	Both ends are R255/26FD18B1N plug, MM 62.5/125 Φ12 fiber, 10m
		R255/26FD18B1N-R255/26FD18B1N-C12*18-M20	Both ends are R255/26FD18B1N plug, MM 62.5/125 Φ12 fiber, 20m
		R255/26FD18B1N-R255/26FD18B1N-C12*18-M50	Both ends are R255/26FD18B1N plug, MM 62.5/125 Φ12 fiber, 50m
H	55	R255/26KH55B1N-R255/26KH55B1N-C14*55-M10	Both ends are R255/26KH55B1N plug, MM 62.5/125 Φ14 fiber, 10m
		R255/26KH55B1N-R255/26KH55B1N-C14*55-M20	Both ends are R255/26KH55B1N plug, MM 62.5/125 Φ14 fiber, 20m
		R255/26KH55B1N-R255/26KH55B1N-C14*55-M50	Both ends are R255/26KH55B1N plug, MM 62.5/125 Φ14 fiber, 50m
		R255/26KH55B1N-R255/26KH55B1N-C14*55-M100	Both ends are R255/26KH55B1N plug, MM 62.5/125 Φ14 fiber, 100m

II type optical fiber assembly



Feature: End 1 of the fiber assembly is multi-core optical connector; end 2 is normal optical connector. The main fiber is out door fiber; and the branch fiber is in door fiber.

[Ordering information]

End 1	R255/26FC04B1N	-4FC	-C5*4	-2S300/0.5	+SFJ04A
End 2	4-means the quantity FC-plug type, can be SC/LC/ST/DIN, etc.				
Fiber characteristics	C—fiber characteristics code 5*4—fiber OD (mm)* fiber core number				
Fiber characteristics	2-branch fiber diameter (mm), 2 or 3 S-transmission mode: S-SM G652, M-MM 62.5/125, MI-MM 50/125 300-fiber length L (Unit: m) 0.5-branch fiber length L1(Unit: m) The length is customized.				
Bracket	Omit means non bracket. Portable type: SFJ03A, SFJ04A, etc. Wheeled type: SFJ05A, etc. See bracket introduction for details.				

[Part number example]

R255/26KH55B1N-55FC-C14*55-2S12.5/0.5

End 1 is R255/26KH55B1N-M plug; end 2 is 55 FC plugs; Φ14 SM G.652 field fiber, 55 cores, fiber length 12.5m, branch fiber length 0.5m.

R255/26FC04B1N41-4ST-C7*4-3M15/0.3

End 1 is R255/26FC04B1N41-M plug, end 2 is 4 ST plugs, Φ7 MM 62.5/125 armored fiber, 4 cores, fiber length 15m, branch fiber length 0.3m, branch fiber diameter 3mm.

R255/20FC04B1N41-4ST-C7*4-3M15/0.3

End 1 is R255/20FC04B1N41-M receptacle, end 2 is 4 ST plugs, $\Phi 7$ MM 62.5/125 armored fiber, 4 cores, fiber length 15m, branch fiber length 0.3m, branch fiber diameter 2mm.

R255/20FC04B1N31-4ST-C5*4-3M15/0.3

End 1 is R255/20FC04B1N31-M receptacle; end 2 is 4 ST plugs, $\Phi 5$ MM 62.5/125 field fiber, 4 cores, fiber length 15m, branch fiber length 0.3m, branch fiber diameter 2mm.

[Recommended type]

Serial	Configuration	Part number	Description	
A	94	R255/26FA94B1N-2LC-C5*2-2S10/0.5	End 1 is R255/26FA94B1N plug, end 2 is 2 LC plugs, SM 9/125 $\Phi 5$ fiber, 10m, branch fiber length 0.5m	
		R255/26FA94B1N-2LC-C5*2-2S20/0.5	End 1 is R255/26FA94B1N plug, end 2 is LC plugs, SM 9/125 $\Phi 5$ fiber, 20m, branch fiber length 0.5m	
		R255/26FA94B1N-2LC-C5*2-2S50/0.5	End 1 is R255/26FA94B1N plug, end 2 is 2 LC plugs, SM 9/125 $\Phi 5$ fiber, 50m, branch fiber length 0.5m	
		R255/26FA94B1N-2LC-C5*2-2S100/0.5+SFJ03A	Both ends are R255/26FA94B1N plugs, SM 9/125 $\Phi 5$ fiber, 100m, SFJ03A bracket	
		R255/26FA94B1N-2LC-C5*2-2S200/0.5+SFJ03B	End 1 is R255/26FA94B1N plug, end 2 is 2 LC plugs, SM 9/125 $\Phi 5$ fiber, 200m, branch fiber length 0.5m, SFJ03B bracket	
		R255/26FA94B1N-2LC-C5*2-2S500/0.5+SFJ04B	End 1 is R255/26FA94B1N plug, end 2 is 2 LC plugs, SM 9/125 $\Phi 5$ fiber, 500m, branch fiber length 0.5m, SFJ04B bracket	
B	98	R255/26FB98B1N-6LC-C6*6-2MIV10/0.5	End 1 is R255/26FB98B1N plug, end 2 is 6 LC plugs, MM 50/125 OM3 $\Phi 6$ fiber, 10m, branch fiber length 0.5m	
		R255/26FB98B1N-6LC-C6*6-2MIV20/0.5	End 1 is R255/26FB98B1N plug, end 2 is 6 LC plugs, MM 50/125 OM3 $\Phi 6$ fiber, 20m, branch fiber length 0.5m	
		R255/26FB98B1N-6LC-C6*6-2MIV50/0.5	End 1 is R255/26FB98B1N plug, end 2 is 6 LC plugs, MM 50/125 OM3 $\Phi 6$ fiber, 50m, branch fiber length 0.5m	
		R255/26FB98B1N-6LC-C6*6-2MIV100/0.5+SFJ04A	End 1 is R255/26FB98B1N plug, end 2 is 6 LC plugs, MM 50/125 OM3 $\Phi 6$ fiber, 100m, branch fiber length 0.5m, SFJ04A bracket	
		R255/26FB98B1N-6LC-C6*6-2MIV200/0.5+SFJ04A	End 1 is R255/26FB98B1N plug, end 2 is 6 LC plugs, MM 50/125 OM3 $\Phi 6$ fiber, 200m, branch fiber length 0.5m, SFJ04A bracket	
		R255/26FB98B1N-6LC-C6*6-2MIV500/0.5+SFJ04B	End 1 is R255/26FB98B1N plug, end 2 is 6 LC plugs, MM 50/125 OM3 $\Phi 6$ fiber, 500m, branch fiber length 0.5m, SFJ04B bracket	
	04		R255/26FB04B1N-4LC-C5*4-2MIV10/0.5	End 1 is R255/26FB04B1N plug, end 2 is 4 LC plugs, MM 50/125 OM3 $\Phi 5$ fiber, 10m, branch fiber length 0.5m
			R255/26FB04B1N-4LC-C5*4-2MIV20/0.5	End 1 is R255/26FB04B1N plug, end 2 is 4 LC plugs, MM 50/125 OM3 $\Phi 5$ fiber, 20m, branch fiber length 0.5m
			R255/26FB04B1N-4LC-C5*4-2MIV50/0.5	End 1 is R255/26FB04B1N plug, end 2 is 4 LC plugs, MM 50/125 OM3 $\Phi 5$ fiber, 50m, branch fiber length 0.5m
			R255/26FB04B1N-4LC-C5*4-2MIV100/0.5+SFJ03A	End 1 is R255/26FB04B1N plug, end 2 is 4 LC plugs, MM 50/125 OM3 $\Phi 5$ fiber, 100m, branch fiber length 0.5m, SFJ03A bracket
			R255/26FB04B1N-4LC-C5*4-2MIV200/0.5+SFJ03B	End 1 is R255/26FB04B1N plug, end 2 is 4 LC plugs, MM 50/125 OM3 $\Phi 5$ fiber, 200m, branch fiber length 0.5m, SFJ03B bracket
			R255/26FB04B1N-4LC-C5*4-2MIV500/0.5+SFJ04B	End 1 is R255/26FB04B1N plug, end 2 is 4 LC plugs, MM 50/125 OM3 $\Phi 5$ fiber, 500m, branch fiber length 0.5m, SFJ04B bracket

01	R255/26FB01B1N-LC-C5*1-2MIV10/0.5	End 1 is R255/26FB01B1N plug, end 2 is LC plug, MM OM3 50/125 Φ 5 fiber, 10m, branch fiber length 0.5m	
	R255/26FB01B1N-LC-C5*1-2MIV20/0.5	End 1 is R255/26FB01B1N plug, end 2 is LC plug, MM OM3 50/125 Φ 5 fiber, 20m, branch fiber length 0.5m	
	R255/26FB01B1N-LC-C5*1-2MIV50/0.5	End 1 is R255/26FB01B1N plug, end 2 is LC plug, MM OM3 50/125 Φ 5 fiber, 50m, branch fiber length 0.5m	
	R255/26FB01B1N-LC-C5*1-2MIV100/0.5+SFJ03A	End 1 is R255/26FB01B1N plug, end 2 is LC plug, MM OM3 50/125 Φ 5 fiber, 100m, branch fiber length 0.5m, SFJ03A bracket	
	R255/26FB01B1N-LC-C5*1-2MIV200/0.5+SFJ03B	End 1 is R255/26FB01B1N plug, end 2 is LC plug, MM OM3 50/125 Φ 5 fiber, 200m, branch fiber length 0.5m, SFJ03B bracket	
	R255/26FB01B1N-LC-C5*1-2MIV500/0.5+SFJ04B	End 1 is R255/26FB01B1N plug, end 2 is LC plug, MM OM3 50/125 Φ 5 fiber, 500m, branch fiber length 0.5m, SFJ04B bracket	
C	98	R255/26FC98B1N-10LC-C7*10-2M10/0.5	End 1 is R255/26FC98B1N plug, end 2 is 10 LC plugs, MM 62.5/125 Φ 7 fiber, 10m, branch fiber length 0.5m
		R255/26FC98B1N-10LC-C7*10-2M20/0.5	End 1 is R255/26FC98B1N plug, end 2 is 10 LC plugs, MM 62.5/125 Φ 7 fiber, 20m, branch fiber length 0.5m
		R255/26FC98B1N-10LC-C7*10-2M50/0.5	End 1 is R255/26FC98B1N plug, end 2 is 10 LC plugs, MM 62.5/125 Φ 7 fiber, 50m, branch fiber length 0.5m
		R255/26FC98B1N-10LC-C7*10-2M100/0.5+SFJ04A	End 1 is R255/26FC98B1N, end 2 is 10 LC plugs, MM 62.5/125 Φ 7 fiber, 100m, branch fiber length 0.5m, SFJ04A bracket
		R255/26FC98B1N-10LC-C7*10-2M200/0.5+SFJ04B	End 1 is R255/26FC98B1N plug, end 2 is 10 LC plugs, MM 62.5/125 Φ 7 fiber, 200m, branch fiber length 0.5m, SFJ04B bracket
		R255/26FC98B1N-10LC-C7*10-2M500/0.5+SFJ04C	End 1 is R255/26FC98B1N plug, end 2 is 10 LC plugs, MM 62.5/125 Φ 7 fiber, 500m, branch fiber length 0.5m, SFJ04C bracket
04		R255/26FC04B1N-4LC-C5*4-2M10/0.5	End 1 is R255/26FC04B1N plug, end 2 is 4 LC plugs, MM 62.5/125 Φ 5 fiber, 10m, branch fiber length 0.5m
		R255/26FC04B1N-4LC-C5*4-2M20/0.5	End 1 is R255/26FC04B1N plug, end 2 is 4 LC plugs, MM 62.5/125 Φ 5 fiber, 20m, branch fiber length 0.5m
		R255/26FC04B1N-4LC-C5*4-2M50/0.5	End 1 is R255/26FC04B1N plug, end 2 is 4 LC plugs, MM 62.5/125 Φ 5 fiber, 50m, branch fiber length 0.5m
		R255/26FC04B1N-4LC-C5*4-2M100/0.5+SFJ03A	End 1 is R255/26FC04B1N plug, end 2 is 4 LC plugs, MM 62.5/125 Φ 5 fiber, 100m, branch fiber length 0.5m, SFJ03A bracket
		R255/26FC04B1N-4LC-C5*4-2M200/0.5+SFJ03B	End 1 is R255/26FC04B1N plug, end 2 is 4 LC plugs, MM 62.5/125 Φ 5 fiber, 200m, branch fiber length 0.5m, SFJ03B bracket
		R255/26FC04B1N-4LC-C5*4-2M500/0.5+SFJ04B	End 1 is R255/26FC04B1N plug, end 2 is 4 LC plugs, MM 62.5/125 Φ 5 fiber, 500m, branch fiber length 0.5m, SFJ04B bracket
08		R255/26FC08B1N-8LC-C6*8-2MIV10/0.5	End 1 is R255/26FC08B1N plug, end 2 is 8 LC plugs, MM 50/125 OM3 Φ 5 fiber, 10m, branch fiber length 0.5m
		R255/26FC08B1N-8LC-C6*8-2MIV20/0.5	End 1 is R255/26FC08B1N plug, end 2 is 8 LC plugs, MM 50/125 OM3 Φ 5 fiber, 20m, branch fiber length 0.5m
		R255/26FC08B1N-8LC-C6*8-2MIV50/0.5	End 1 is R255/26FC08B1N plugs, end 2 is 8 LC plugs, MM 50/125 OM3 Φ 5 fiber, 50m, branch fiber length 0.5m
		R255/26FC08B1N-8LC-C6*8-2MIV100/0.5+SFJ04A	End 1 is R255/26FC08B1N plugs, end 2 is 8 LC plugs, MM 50/125 OM3 Φ 5 fiber, 100m, branch fiber length 0.5m, SFJ04A bracket

		R255/26FC08B1N-8LC-C6*8-2MIV200/0.5+SFJ04A	End 1 is R255/26FC08B1N plug, end 2 is 8 LC plugs, MM 50/125 OM3 Φ 5 fiber, 200m, branch fiber length 0.5m, SFJ04A bracket
		R255/26FC08B1N-8LC -C6*8-2MIV500/0.5+SFJ04B	End 1 is R255/26FC08B1N plug, end 2 is 8 LC plugs, MM 50/125 OM3 Φ 5 fiber, 500m, branch fiber length 0.5m, SFJ04B bracket
D	18	R255/26FD18B1N-18LC-C12*18-2M10/0.5	End 1 is R255/26FD18B1N plug, end 2 is 18 LC plugs, MM 62.5/125 Φ 12 fiber, 10m, branch fiber length 0.5m
		R255/26FD18B1N-18LC-C12*18-2M20/0.5	End 1 is R255/26FD18B1N plug, end 2 is 18 LC plugs, MM 62.5/125 Φ 12 fiber, 20m, branch fiber length 0.5m
		R255/26FD18B1N-18LC-C12*18-2M50/0.5	End 1 is R255/26FD18B1N plug, end 2 is 18 LC plugs, MM 62.5/125 Φ 12 fiber, 50m, branch fiber length 0.5m
H	55	R255/26KH55B1N-55LC-C14*55-2M10/0.5	End 1 is R255/26KH55B1N plug, end 2 is 55 LC plugs, MM 62.5/125 Φ 14 fiber, 10m, branch fiber length 0.5m
		R255/26KH55B1N-55LC-C14*55-2M20/0.5	End 1 is R255/26KH55B1N plug, end 2 is 55 LC plugs, MM 62.5/125 Φ 14 fiber, 20m, branch fiber length 0.5m
		R255/26KH55B1N-55LC-C14*55-2M50/0.5	End 1 is R255/26KH55B1N plug, end 2 is 55 LC plugs, MM 62.5/125 Φ 14 fiber, 50m, branch fiber length 0.5m
		R255/26KH55B1N-55LC-C14*55-2M100/0.5	End 1 is R255/26KH55B1N plug, end 2 is 55 LC plugs, MM 62.5/125 Φ 14 fiber, 100m, branch fiber length 0.5m

[Length tolerance figure]

L & L1 nominal value (m)	Length tolerance ΔL (cm)	Branch length tolerance $\Delta L1$ (cm)
0~0.2	+3 0	+1.5 0
>0.2~1	+5 0	+3 0
>1~3	+8 0	+5 0
>3~10	+10 0	+8 0
>10	0~nominal value*1% (m)	0~nominal value*1% (m)

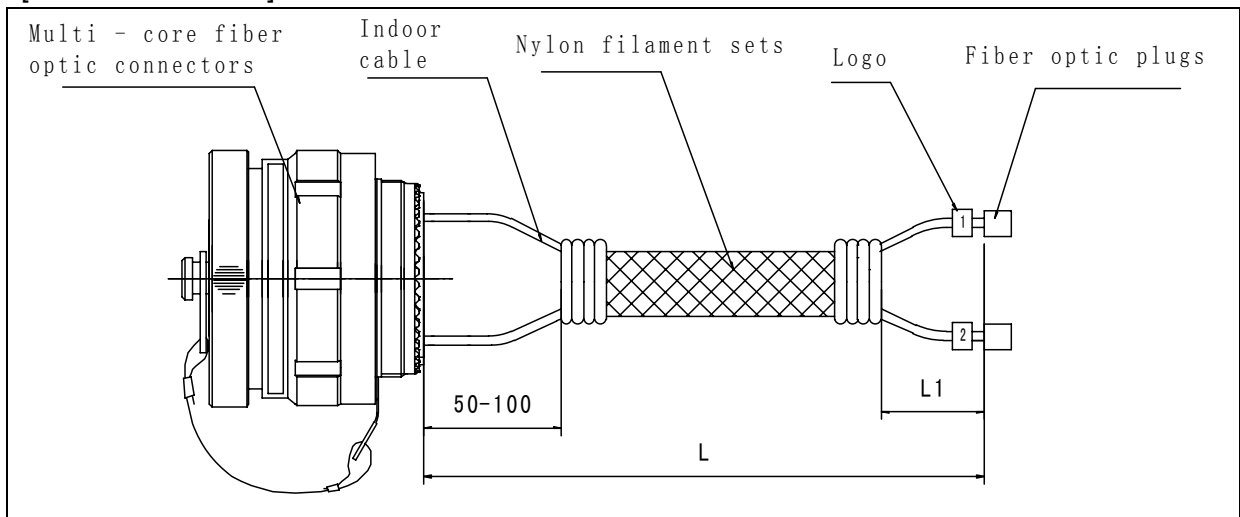
[Connector type and according fiber type] (Take F plating for example):

MS size	Configuration	Part number	Feature	Part number	Armored fiber feature
A	94	R255/26FA94B1N	C5*2	R255/26FA94B1N41	C5*2
		R255/20FA94A1N31		R255/20FA94A1N41	
B	98	R255/26FB98B1N	C6.3*6	R255/26FB98B1N41	C7*6
		R255/20FB98A1N31		R255/20FB98A1N41	
	04	R255/26FB04B1N	C5*4	R255/26FB04B1N	C7*4
		R255/20FB04A1N31		R255/20FB04A1N41	
	02	R255/26FB02B1N	C5*2	R255/26FB02B1N41	C5*2
		R255/20FB02B1N31		R255/20FB02B1N41	
	01	R255/26FB01B1N	C5*1	R255/26FB01B1N41	C5*1
		R255/20FB01B1N31		R255/20FB01B1N41	
C	08	R255/26FC08B1N	C6.3*8	R255/26FC08B1N41	C7*8
		R255/20FC08B1N31		R255/20FC08B1N41	

	04	R255/26FC04B1N	C5*4	R255/26FC04B1N41	C7*4
		R255/20FC04B1N31		R255/20FC04B1N31	
D	18	R255/26FD18B1N	C12*18		
		R255/20FD18B1N31			
E	26	R255/26FE26B1N	C12*26	R255/26FE26B1N41	C14*26
		R255/20FE26B1N31		R255/20FE26B1N41	
	06	R255/26FE06B1N	C6*6	R255/26FE06B1N41	C7*6
		R255/20FE06A1N31		R255/26FE06B1N41	
	08	R255/26FE08B1N	C6*8	R255/26FE08B1N41	C7*8
		R255/20FE08B1N31		R255/20FE08B1N41	
H	55	R255/26FH55B1N	C14*55		
		R255/20FH55A1N			

III type optical fiber assembly

[Outline dimensions]



Note: the L in the picture is the cable length required by customers, branch fiber mark should be according with the configuration mark of the multi-core connector.

Feature: the fiber is in door fiber, multi-core connector doesn't have back accessory.

[Ordering information]

End 1	R255/26FC04B1N02	-4FC	-S2	L3	/0.5
End 2	4-means the quantity FC-plug type , can be AFC/SC/LC/ST/DIN, etc.				
Fiber characteristics	S-optical transmission mode S-SM G652, M-MM 62.5/125, MI-MM 50/125 MIV-MM OM3 fiber 50/125 2-fiber diameter (mm)				
Fiber characteristics	L3-fiber length L (Unit: m) The length can be customized				
Branch fiber length	0.5—branch fiber length, it is according to L1 in the above figure (if customers don't have requirement for branch fiber, the fiber will not be tied in nylon string.)				

[Part number example]

R255/20FE08A1N-8AFC-S2-

L1.5End 1 is R255/20FE08A1N8-S2 receptacle; end 2 is 8 FC/APC plugs, SM 9/125 single core Φ2mm fiber, fiber length 1.5m, non branch fiber.

R255/20KC04A1N-4LC-M2-L1.5/0.5

End 1 is R255/20KC04A1N-M2 receptacle; end 2 is 4 LC plugs, MM 62.5/125 single core Φ2mm fiber, fiber length 1.5m, branch fiber length 0.5m.

R255/26KC98B1N02-10LC-MI2-L1

End 1 is R255/26KC98B1N02-M2 plug; end 2 is 10 LC plugs, MM 50/125 single core Φ2mm fiber, total length 1m, non branch fiber.

For L and L1 length, please see the length tolerance figure for reference.

[Recommended type]

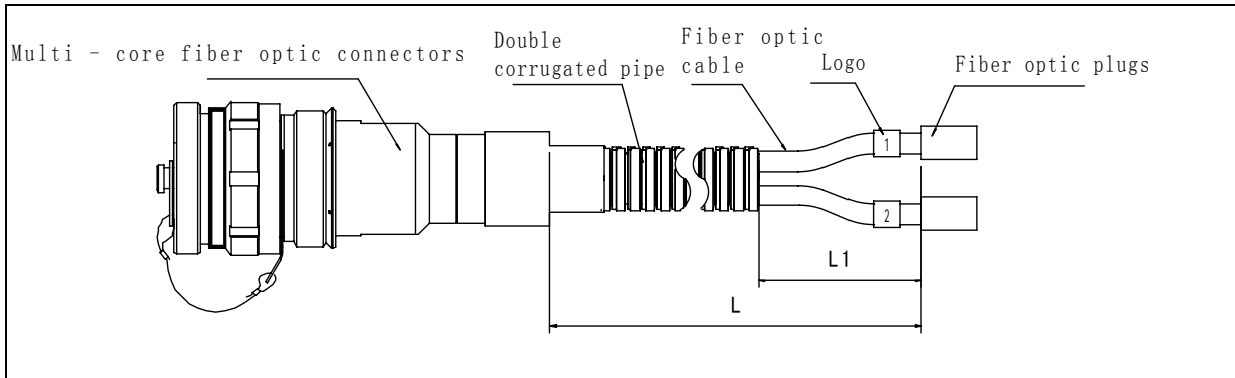
Shell	Configuration	Part number	Description
A	94	R255/20FA94A1N-2LC-S2-L0.5	End 1 is R255/20FA94A1N receptacle, end 2 is 2 LC plugs, SM 9/125 Φ2mm fiber, 0.5m
		R255/20FA94A1N-2LC-S2-L1	End 1 is R255/20FA94A1N receptacle, end 2 is 2 LC plugs, SM 9/125 Φ2mm fiber, 1m
		R255/20FA94A1N-2LC-S2-L5/0.5	End 1 is R255/20FA94A1N receptacle, end 2 is 2 LC plugs, SM 9/125 Φ2mm fiber, 5m, branch fiber length 0.5m
		R255/26FA94B1N02-2LC-S2-L0.5	End 1 is R255/26FA94B1N02 plug, end 2 is 2 LC plugs, SM 9/125 Φ2mm fiber, 0.5m
		R255/26FA94B1N02-2LC-S2-L1	End 1 is R255/26FA94B1N02 plug, end 2 is 2 LC plugs, SM 9/125 Φ2mm fiber, 1m
		R255/26FA94B1N02-2LC-S2-L5/0.5	End 1 is R255/26FA94B1N02 plug, end 2 is 2 LC plugs, SM 9/125 Φ2mm fiber, 5m,branch fiber length 0.5m
B	98	R255/20FB98A1N-6LC-S2-L0.5	End 1 is R255/20FB98A1N receptacle, end 2 is 6 LC plugs, SM 9/125 Φ2mm fiber, 0.5m
		R255/20FB98A1N-6LC-S2-L1	End 1 is R255/20FB98A1N receptacle, end 2 is 6 LC plugs, SM 9/125 Φ2mm fiber, 1m
		R255/20FB98A1N-6LC-S2-L5/0.5	End 1 is R255/20FB98A1N receptacle, end 2 is 6 LC plugs, SM 9/125 Φ2mm fiber, 5m, branch fiber length 0.5m
		R255/26FB98B1N02-6LC-S2-L0.5	End 1 is R255/26FB98B1N02 plug, end 2 is 6 LC plugs, SM 9/125 Φ2mm fiber, 0.5m
		R255/26FB98B1N02-6LC-S2-L1	End 1 is R255/26FB98B1N02 plug, end 2 is 6 LC plugs, SM 9/125 Φ2mm fiber, 1m
		R255/26FB98B1N02-6LC-S2-L5/0.5	End 1 is R255/26FB98B1N02 plug, end 2 is 6 LC plugs, SM 9/125 Φ2mm fiber, 5m, branch fiber length 0.5m

			length 0.5m	
	04	R255/20FB04A1N-4LC-S2-L0.5	End 1 is R255/20FB04A1N receptacle, end 2 is 4 LC plugs, SM 9/125 Φ 2mm fiber, 0.5m	
		R255/20FB04A1N-4LC-S2-L1	End 1 is R255/20FB04A1N receptacle, end 2 is 4 LC plugs, SM 9/125 Φ 2mm fiber, 1m	
		R255/20FB04A1N-4LC-S2-L5/0.5	End 1 is R255/20FB04A1N receptacle, end 2 is 4 LC plugs, SM 9/125 Φ 2mm fiber, 5m, branch fiber length 0.5m	
		R255/26FB04B1N02-4LC-S2-L0.5	End 1 is R255/26FB04B1N02 plug, end 2 is 4 LC plugs, SM 9/125 Φ 2mm fiber, 0.5m	
		R255/26FB04B1N02-4LC-S2-L1	End 1 is R255/26FB04B1N02 plug, end 2 is 4 LC plugs, SM 9/125 Φ 2mm fiber, 1m	
		R255/26FB04B1N02-4LC-S2-L5/0.5	End 1 is R255/26FB04B1N02 plug, end 2 is 4 LC plugs, SM 9/125 Φ 2mm fiber, 5m, branch fiber length 0.5m	
	01	R255/20FB01A1N-LC-S2-L0.5	End 1 is R255/20FB01A1N receptacle, end 2 is LC plug, SM 9/125 Φ 2mm fiber, 0.5m	
		R255/20FB01A1N-LC-S2-L1	End 1 is R255/20FB01A1N receptacle, end 2 is LC plug, SM 9/125 Φ 2mm fiber, 1m	
		R255/20FB01A1N-LC-S2-L2	End 1 is R255/20FB01A1N receptacle, end 2 is LC plug, SM 9/125 Φ 2mm fiber, 2m	
		R255/26FB01B1N02-LC-S2-L0.5	End 1 is R255/26FB01B1N02 plug, end 2 is LC plug, SM 9/125 Φ 2mm fiber, 0.5m	
		R255/26FB01B1N02-LC-S2-L1	End 1 is R255/26FB01B1N02 plug, end 2 is LC plug, SM 9/125 Φ 2mm fiber, 1m	
		R255/26FB01B1N02-LC-S2-L2	End 1 is R255/26FB01B1N02 plug, end 2 is LC plug, SM 9/125 Φ 2mm fiber, 2m	
C	98	R255/20FC98A1N-10LC-S2-L0.5	End 1 is R255/20FC98A1N receptacle, end 2 is 10 LC plugs, SM 9/125 Φ 2mm fiber, 0.5m	
		R255/20FC98A1N-10LC-S2-L1	End 1 is R255/20FC98A1N receptacle, end 2 is 10 LC plugs, SM 9/125 Φ 2mm fiber, 1m	
		R255/20FC98A1N-10LC-S2-L5/0.5	End 1 is R255/20FC98A1N receptacle, end 2 is 10 LC plugs, SM 9/125 Φ 2mm fiber, 5m, branch fiber length 0.5m	
		R255/26FC98B1N02-10LC-S2-L0.5	End 1 is R255/26FC98B1N02 plug, end 2 is 10 LC plugs, SM 9/125 Φ 2mm fiber, 0.5m	
		R255/26FC98B1N02-10LC-S2-L1	End 1 is R255/26FC98B1N02 plug, end 2 is 10 LC plugs, SM 9/125 Φ 2mm fiber, 1m	
		R255/26FC98B1N02-10LC-S2-L5/0.5	End 1 is R255/26FC98B1N02 plug, end 2 is 10 LC plugs, SM 9/125 Φ 2mm fiber, 5m, branch fiber length 0.5m	
	04	R255/20FC04A1N-4LC-S2-L0.5	End 1 is R255/20FC04A1N receptacle, end 2 is 4 LC plugs, SM 9/125 Φ 2mm fiber, 0.5m	
		R255/20FC04A1N-4LC-S2-L1	End 1 is R255/20FC04A1N receptacle, end 2 is 4 LC plugs, SM 9/125 Φ 2mm fiber, 1m	
		R255/20FC04A1N-4LC-S2-L5/0.5	End 1 is R255/20FC04A1N receptacle, end 2 is 4 LC plugs, SM 9/125 Φ 2mm fiber, 5m, branch fiber length 0.5m	
		R255/26FC04B1N02-4LC-S2-L0.5	End 1 is R255/26FC04B1N02 plug, end 2 is 4 LC plugs, SM 9/125 Φ 2mm fiber, 0.5m	
		R255/26FC04B1N02-4LC-S2-L1	End 1 is R255/26FC04B1N02 plug, end 2 is 4 LC plugs, SM 9/125 Φ 2mm fiber, 1m	
		R255/26FC04B1N02-4LC-S2-L5/0.5	End 1 is R255/26FC04B1N02 plug, end 2 is 4 LC plugs, SM 9/125 Φ 2mm fiber, 5m, branch fiber length 0.5m	
	08	R255/20FC08A1N-8LC-S2-L0.5	End 1 is R255/20FC08A1N receptacle, end 2 is 8 LC plugs, SM 9/125 Φ 2mm fiber, 0.5m	
		R255/20FC08A1N-8LC-S2-L1	End 1 is R255/20FC08A1N receptacle, end 2 is 8 LC plugs, SM 9/125 Φ 2mm fiber, 1m	
		R255/20FC08A1N-8LC-S2-L5/0.5	End 1 is R255/20FC08A1N receptacle, end 2 is 8 LC plugs, SM 9/125 Φ 2mm fiber, 5m, branch fiber length 0.5m	
		R255/26FC08B1N02-8LC-S2-L0.5	End 1 is R255/26FC08B1N02 plug, end 2 is 8 LC plugs, SM 9/125 Φ 2mm fiber, 0.5m	
		R255/26FC08B1N02-8LC-S2-L1	End 1 is R255/26FC08B1N02 plug, end 2 is 8 LC plugs, SM 9/125 Φ 2mm fiber, 1m	
		R255/26FC08B1N02-8LC-S2-L5/0.5	End 1 is R255/26FC08B1N02 plug, end 2 is 8 LC plugs, SM 9/125 Φ 2mm fiber, 5m, branch fiber length 0.5m	
	D	18	R255/20FD18A1N-18LC-S2-L0.5	End 1 is R255/20FD18A1N receptacle, end 2 is 18 LC plugs, SM 9/125 Φ 2mm fiber, 0.5m
			R255/20FD18A1N-18LC-S2-L1	End 1 is R255/20FD18A1N receptacle, end 2 is 18 LC plugs, SM 9/125 Φ 2mm fiber, 1m
			R255/26FD18B1N-18LC-S2-L0.5	End 1 is R255/26FD18B1N plug, end 2 is 18 LC plugs, SM 9/125 Φ 2mm fiber, 0.5m
			R255/26FD18B1N-18LC-S2-L1	End 1 is R255/26FD18B1N plug, end 2 is 18 LC plugs, SM 9/125 Φ 2mm fiber, 1m

H	55	R255/20WH55A1N-55LC-M2-L0.5	End 1 is R255/20WH55A1N receptacle, end 2 is 55 LC plugs, MM 62.5/125 Φ2mm fiber, 0.5m
		R255/20WH55A1N -55LC-S2-L1	End 1 is R255/20WH55A1N receptacle, end 2 is 55 LC plugs, MM 62.5/125 Φ2mm fiber, 1m
		R255/26WH55B1N02-55LC-S2-L0.5	End 1 is R255/26WH55B1N02 plug, end 2 is 55 LC plugs, MM 62.5/125 Φ2mm fiber, 0.5m
		R255/26WH55B1N02-55LC-S2-L1	End 1 is R255/26WH55B1N02 plug, end 2 is 55 LC plugs, MM 62.5/125 Φ2mm fiber, 1m

IV type optical fiber assembly

[Outline dimensions]



Feature: End 1 of the fiber assembly is multi-core optical connector; end 2 is normal optical connector. The fiber is in door fiber and is protected in ripple tube.

[Ordering information]

End 1	R255/26FB02B1N01	-2FC	-M2	-L30/0.5
End 2	2-means the quantity FC-plug type, can be SC/LC/ST/DIN, etc.			
Fiber characteristics	2-fiber diameter (mm) S-optical transmission mode: S-SM G652, M-MM 62.5/125, MI-MM 50/125			
Fiber characteristics	30-fiber length L (Unit: m), tolerance ≤1% 0.5-branch fiber length L1 (Unit: m), tolerance ≤1% The length can be customized.			

[Part number example]

R255/26FB02B1N01-2FC- S2-L5/0.5

End 1 is R255/26FB02B1N01-S2 plug (with straight back accessory), mounted with ripple tube; end 2 is 2 FC plugs, Φ2 SM 9/125 fiber, fiber length 5m, branch fiber length 0.5m.

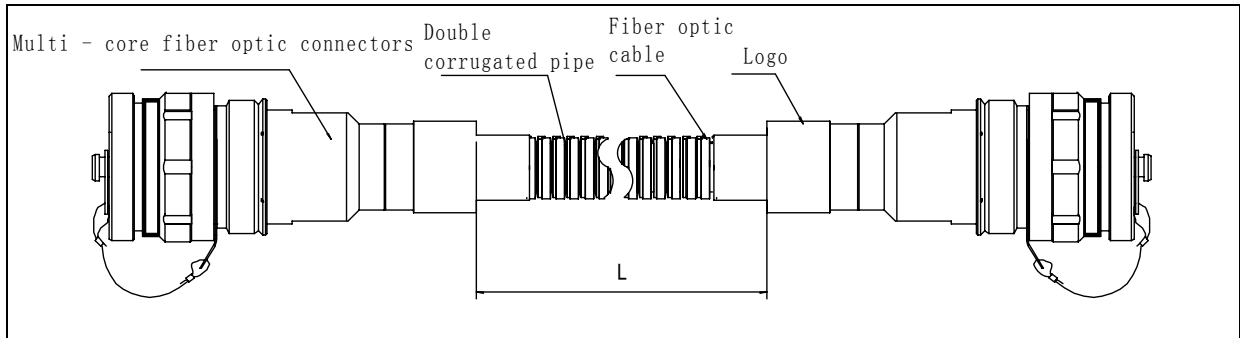
R255/26WJ61B1N03-61LC-M2-L5/0.15

End 1 is R255/26WJ61B1N03-M2 plug (with right-angle back accessory), mounted with ripple tube; end 2 is 61 LC plugs, Φ2 MM 62.5/125 fiber, fiber length 5m, branch fiber length is 0.15m. R255/20WJ61A1N01-61LC-M2-L5/0.15

End 1 is R255/20WJ61A1N01-M2 receptacle (with straight back accessory), mounted with ripple tube; end 2 is 61 LC plugs, Φ2 MM 62.5/125 fiber, fiber length 5m, branch fiber length is 0.15m.

V type optical fiber assembly

[Outline dimensions]



Feature: the two ends of the fiber assembly are both multi-core optical connectors; the fiber is indoor fiber and is protected by ripple tube.

[Ordering information]

End 1	R255/26FB02B1N01	-R255/26FB02B1N01	-M2	-L5
End 2	End 2 connector part number			
Fiber characteristics	2-fiber diameter (mm) M-optical transmission mode: S-SM G652, M-MM 62.5/125, MI-MM 50/125			
Fiber characteristics	5-fiber length L (Unit: m)			

[Part number example]

R255/26FB02B1N01- R255/26FB02B1N03-S2-

L5 End 1 is R255/26FB02B1N01-S2 plug (with straight back accessory), end 2 is R255/26FB02B1N03-S2 plug (with right-angle back accessory), mounted with ripple tube; $\Phi 2$ SM 9/125 fiber, fiber length 5m.

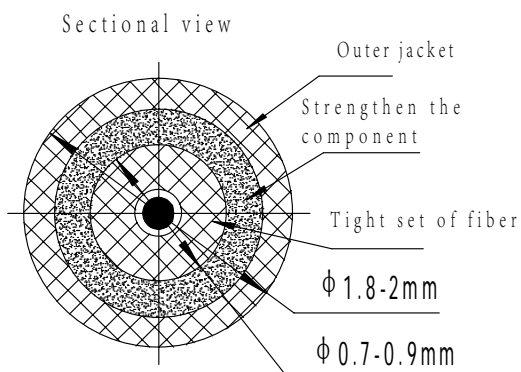
R255/26WJ61B1N01- R255/26WJ61B1N01-M2-L3

The two ends are both R255/26WJ61B1N03-M2 plugs (with straight back accessory), mounted with ripple tube; $\Phi 2$ MM 62.5/125 fiber, fiber length 3m. R255/20WJ61A1N01-61LC-M2-L5/0.15

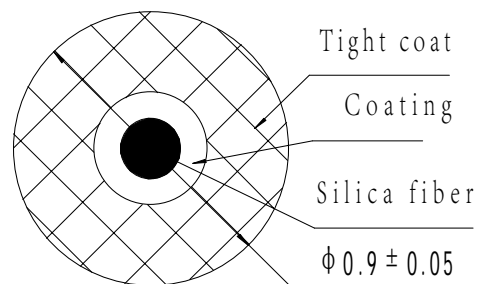
End 1 is R255/20WJ61A1N01-M2 receptacle plug (with straight back accessory), mounted with ripple tube; end 2 is 61 LC plugs, $\Phi 2$ MM 62.5/125 fiber, fiber length 5m, branch fiber length is 0.15m.

[Fiber structure]

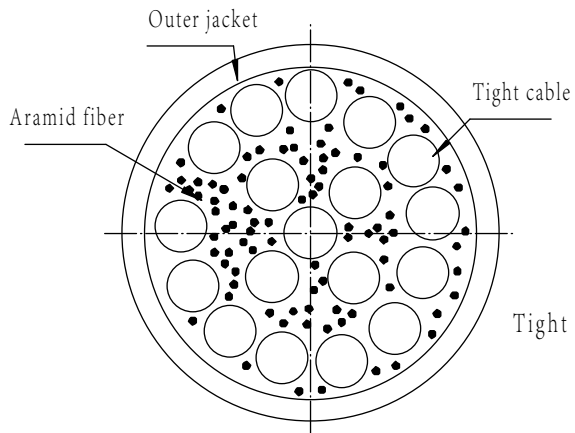
2mm single core fiber:



0.9mm single core fiber:



Multi-core field fiber:



Multi-core armored fiber:

