



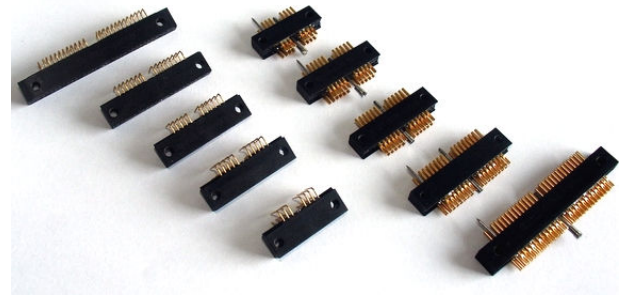
APMA

R16L SERIES:

1.27mm×2.54mm PITCH MICRO-STRIP ELECTRIC CONNECTOR CATALOGUE

BRIEF INTRODUCTION

- Plug with elastic twisted wire pins, receptacle with rigid sockets.
- 1.27mm×2.54mm pitch, two rows.
- Number of contacts: 15~51.
- Plug is right angle PCB solder type, receptacle is solder cup type.
- Plug and receptacle are all with mounting holes on both sides and a locking bolt in the center.
- Can totally interchange with DRS or DRP series from OMNETICS.



MAIN TECHNICAL CHARACTERISTIC

Electrical performance		Environmental performance	
Current rating	≤3A	Operating temperature	-55°C ~ +125°C
Withstanding voltage	800V,RMS,60Hz	Vibration	10~2000Hz,196m/s ²
Insulation resistance	≥5000MΩ @500V DC	Shock	735m/s ²
Mechanical performance		Other performance	
Durability	500 cycles	Adaptive wire size	Standard #26AWG

PART NUMBER DESCRIPTION

Series name			R16L	-15	ZK	S
Number of contact	15、21、23、31、51					
Connector type	ZK – Receptacle with sockets	TJ – Plug with pins				
Termination	S – Solder cup (Sockets)	W – Right angle PCB solder (Pins)				

CONTACT ARRANGEMENT

CONTACT NUMBER	THE INSULATOR INTERFACE OF PLUG		
15			
21			
23			
31			
51			
	○	●	⊗
	Loading contact	Without contact	Loading guide pin

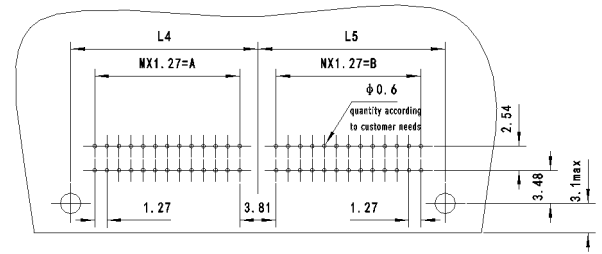
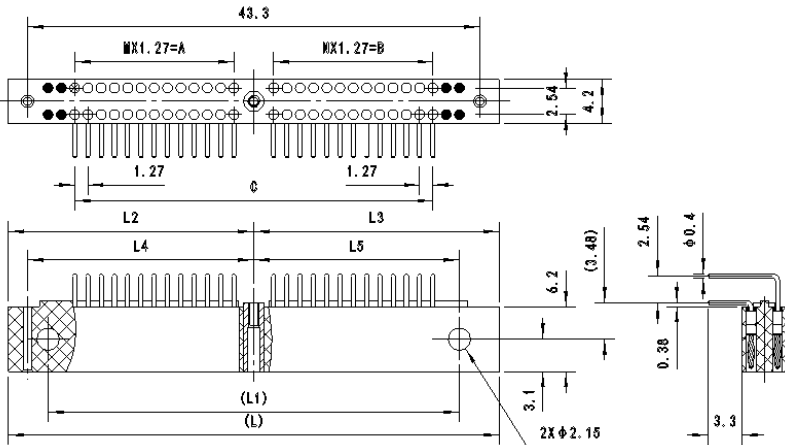


CAVITY IDENTIFICATION

PLUG CAVITY MARK		
CONTACT NUMBER	VIEW FROM "A" DIRECTION	VIEW FROM "B" DIRECTION
15		
21		
23		
31		
51		
RECETACLE CAVITY MARK		
CONTACT NUMBER	VIEW FROM "A" DIRECTION	VIEW FROM "B" DIRECTION
15		
21		
23		
31		
51		

OUTLINE DIMENSIONS

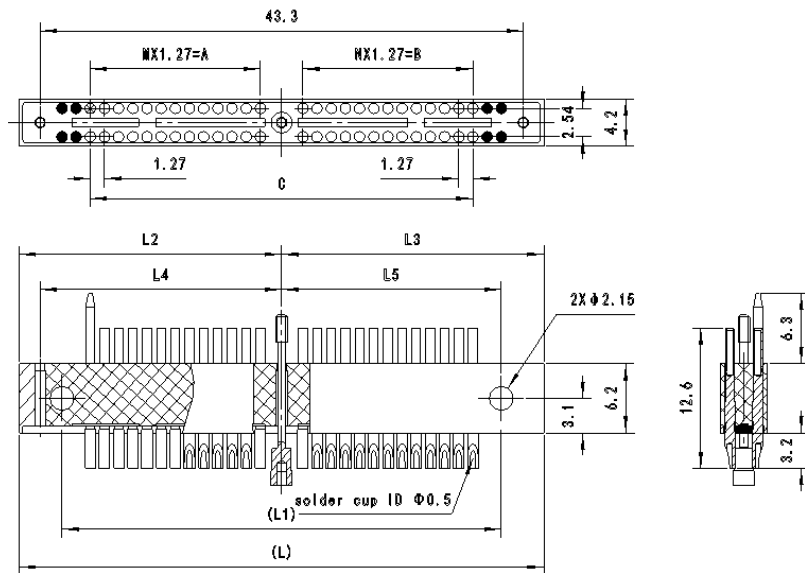
PLUG R16L-xxTJW



Recommend PCB cutout

P/N	L	L1	L2	L3	L4	L5	A	B	C	M	N
R16L-15TJW	20.62	16.51	10.31	10.31	8.255	8.255	3.81	3.81	11.43	3	3
R16L-21TJW	24.43	20.32	12.85	11.58	10.795	9.525	6.35	5.08	15.24	5	4
R16L-23TJW	25.7	21.59	12.85	12.85	10.795	10.795	6.35	6.35	16.51	5	5
R16L-31TJW	30.78	26.67	15.39	15.39	13.335	13.335	8.89	8.89	21.59	7	7
R16L-51TJW	46.99	39.37	23.495	23.495	19.685	19.685	15.24	15.24	34.29	12	12

RECEPTACLE R16L-xxZKS



P/N	L	L1	L2	L3	L4	L5	A	B	C	M	N
R16L-15ZKS	20.62	16.51	10.31	10.31	8.255	8.255	3.81	3.81	11.43	3	3
R16L-21 ZKS	24.43	20.32	12.85	11.58	10.795	9.525	6.35	5.08	15.24	5	4
R16L-23 ZKS	25.7	21.59	12.85	12.85	10.795	10.795	6.35	6.35	16.51	5	5
R16L-31 ZKS	30.78	26.67	15.39	15.39	13.335	13.335	8.89	8.89	21.59	7	7
R16L-51 ZKS	46.99	39.37	23.495	23.495	19.685	19.685	15.24	15.24	34.29	12	12