

MR95 Series Electrical Connectors

Brief introduction

- Metallic shell
- Hyperboloid wire spring socket with high reliability
- Guide pins and sockets for polarization
- Conductive rubber sealing washer
- Standard:
 - 21E0.022.003JT for commercial product
 - 21E0.204.011JT for military product

Main technical characteristics

- rated voltage: 250V withstanding voltage: 750V
- Insulation resistance: Normal \geq 500M Ω , Heat damp \geq 20M Ω
- Contact resistance and Rated current:

Contact diameter (mm)	Φ 0.8	Φ 1.0	Φ 1.5
Rated current (A)	2	5	10
Contact resistance (m Ω)	\leq 12.5	\leq 5	\leq 2.5
Rear end solder cup ID (mm)	Φ 0.8	Φ 1.0	Φ 1.2

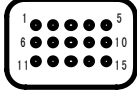
- Operation temperature: -55 $^{\circ}$ C~+125 $^{\circ}$ C
- RH: 95% at 40 $^{\circ}$ C
- vibration: 10~2000Hz, acceleration 147m/s²
- shock: acceleration 294m/s²
- durability: 1000 cycles

Designation

No	Classification	Contents	Mark
1	Series	Rectangular electrical connectors	MR
2	Design No.	19	95
3	Connector type	Plug with pins	T
		Receptacle with sockets	Z
4	Number of contacts	15, 20, 21, 29, 48, 50, 58, 84, 150	Mark the number
5	Types of termination	Wire soldering	H
		Straight PCB dip soldering	B
		Right angle PCB dip soldering	W
6	Contact plating	Gold plating	J
7	Modification code	Based on the basic part numbers, change guide pins or sockets on the plug or receptacle	-01

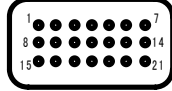
Insert arrangement (Mating interface view of pin insulator)

MR95-15



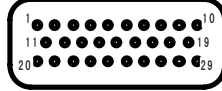
15- ϕ 0.8

MR95-21



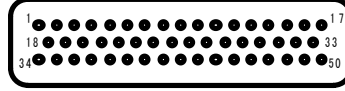
21- ϕ 0.8

MR95-29



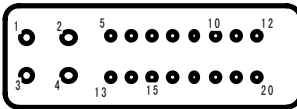
29- ϕ 0.8

MR95-50



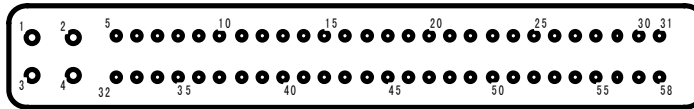
50- ϕ 0.8

MR95-20



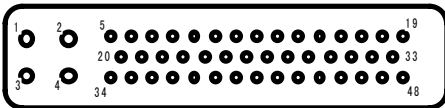
4- ϕ 1.5, 16- ϕ 1.0

MR95-58



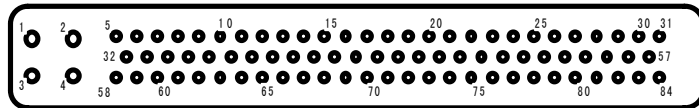
4- ϕ 1.5, 54- ϕ 1.0

MR95-48



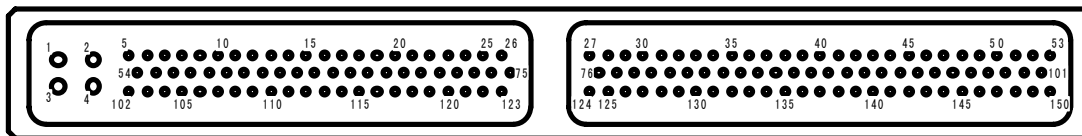
4- ϕ 1.5, 44- ϕ 1.0

MR95-84



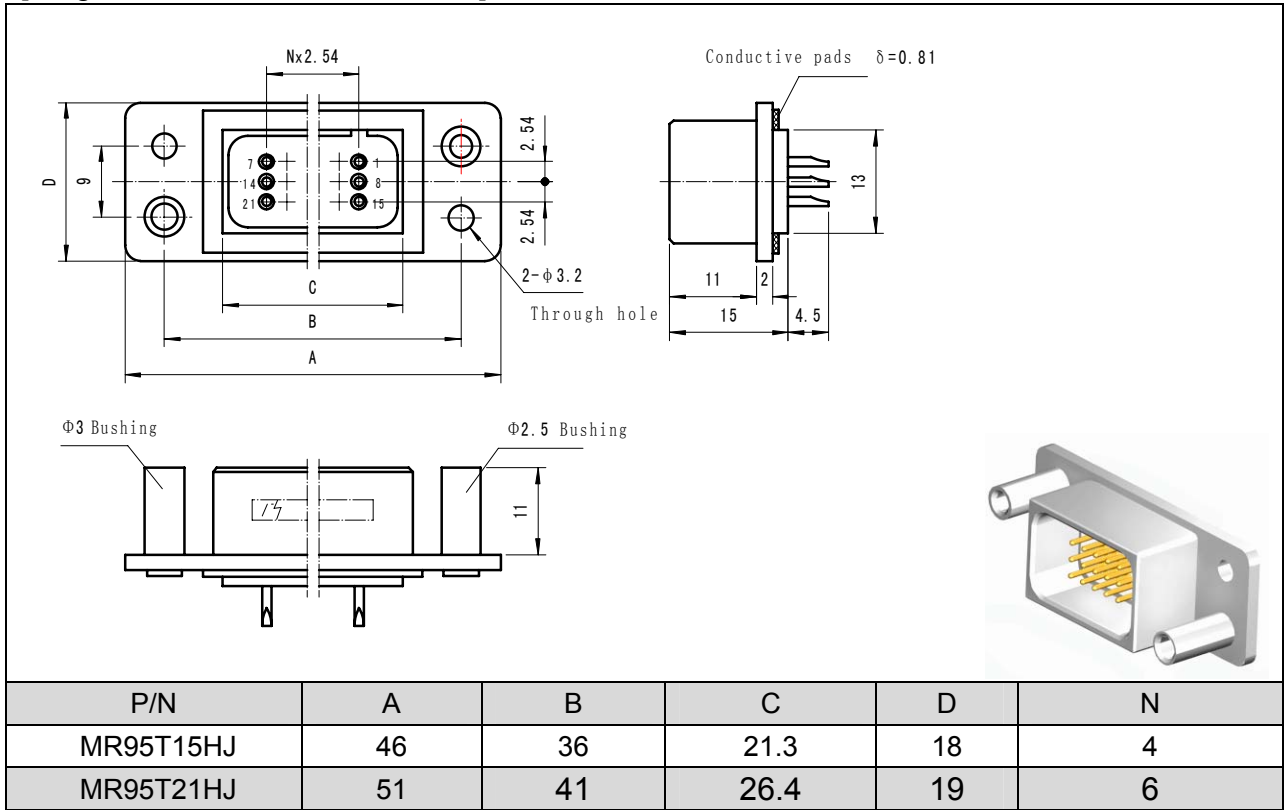
4- ϕ 1.5, 80- ϕ 1.0

MR95-150



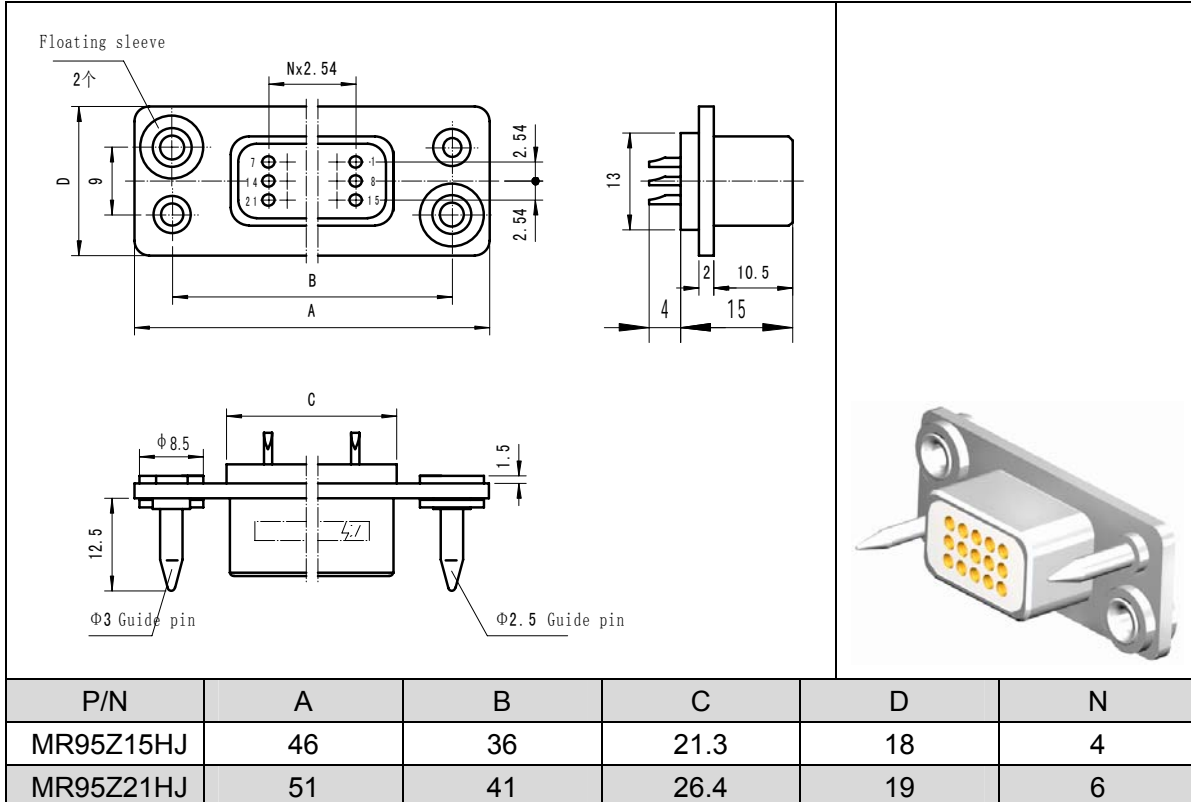
4- ϕ 1.5, 146- ϕ 0.8

[Plug MR95T15HJ, MR95T21HJ]



* Add "-01" after the part number when the plug is with guide pins

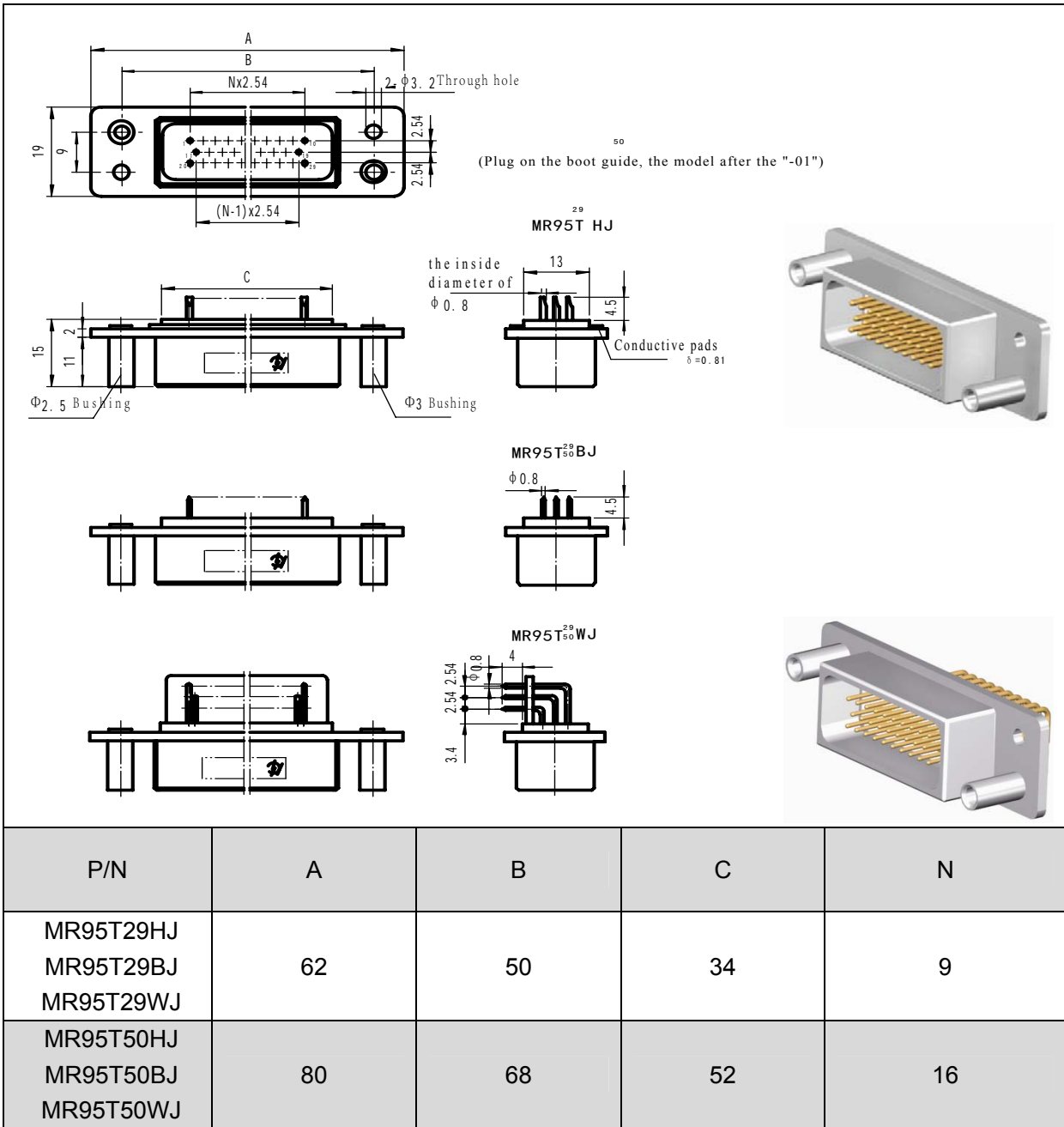
[Receptacle MR95Z15HJ, MR95Z21HJ]



* Add "-01" after the part number when the receptacle is with guide sockets

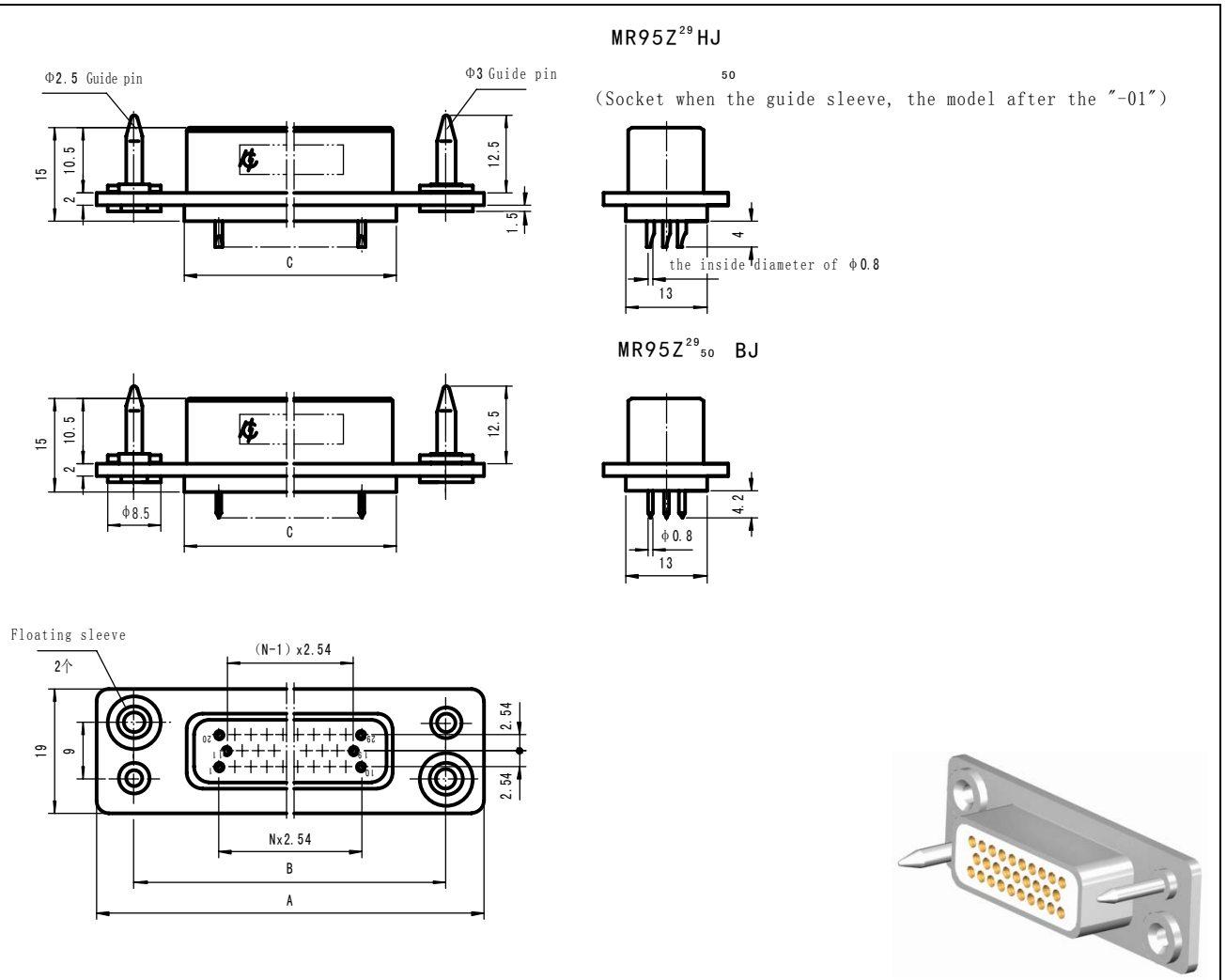


[Plug MR95T²⁹₅₀HJ, MR95T²⁹₅₀BJ, MR95T²⁹₅₀WJ]



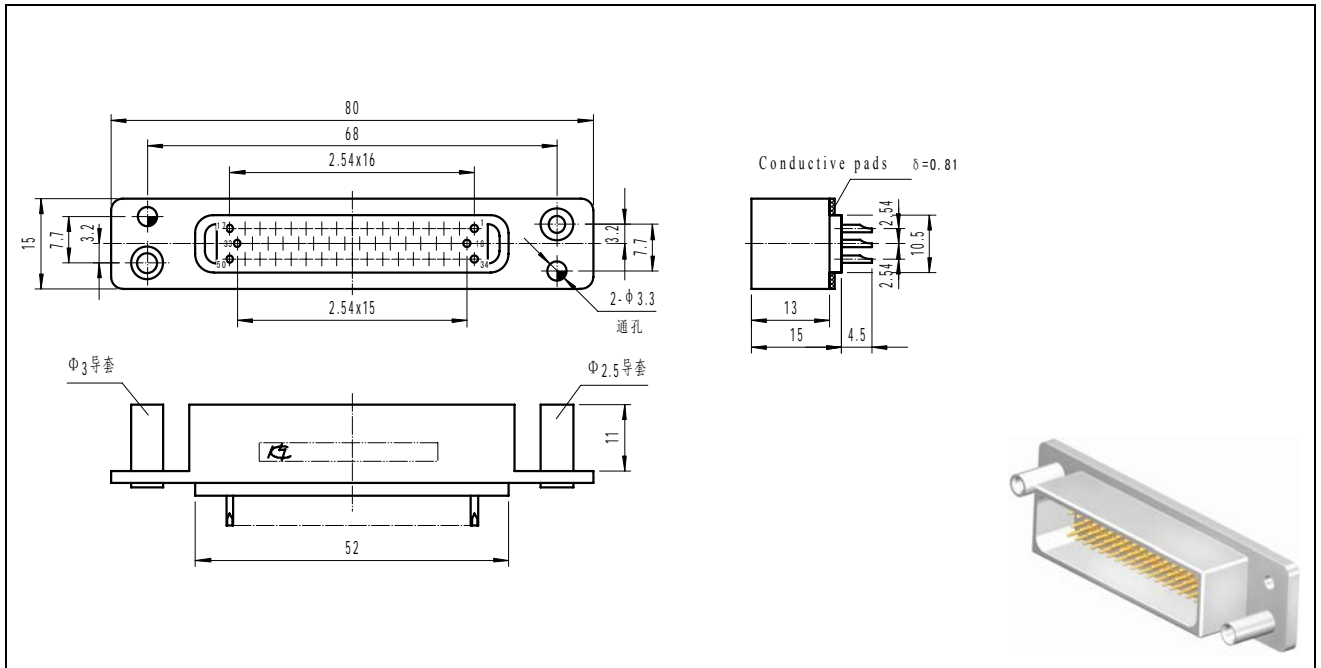


[Receptacle MR95Z²⁹₅₀BJ, MR95Z²⁹₅₀BJ]

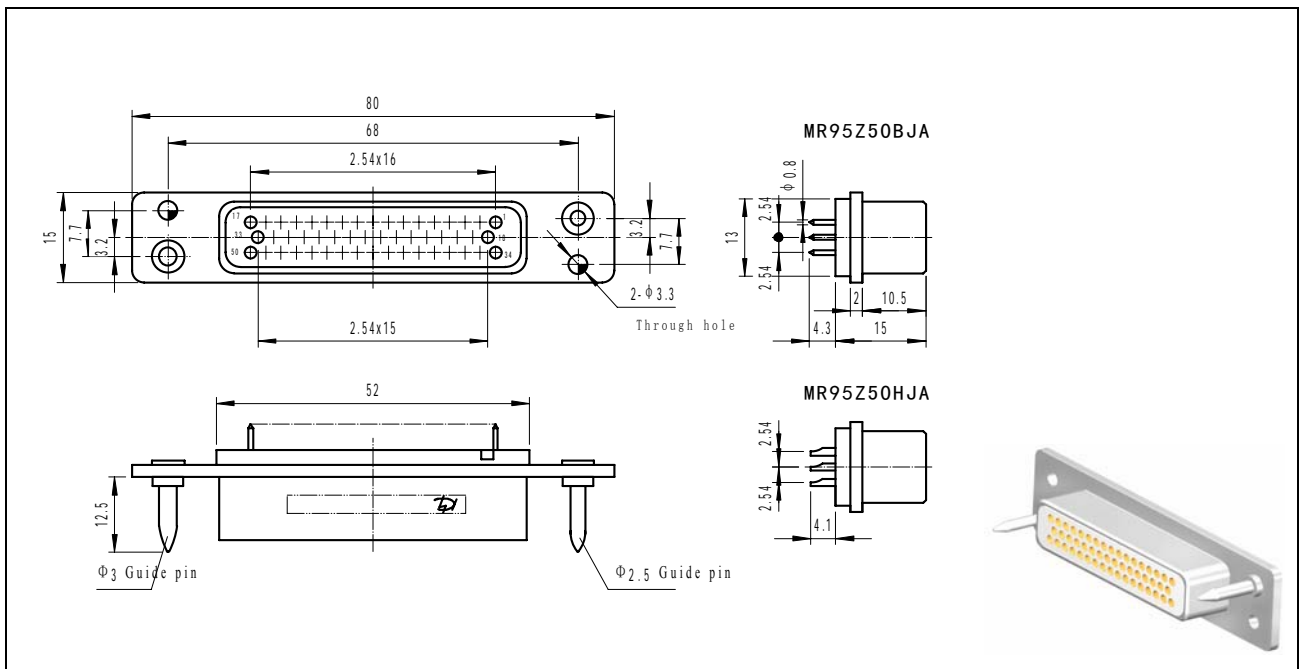


P/N	A	B	C	N
MR95Z29HJ MR95Z29BJ	62	50	34	9
MR95Z50HJ MR95Z50BJ	80	68	52	16

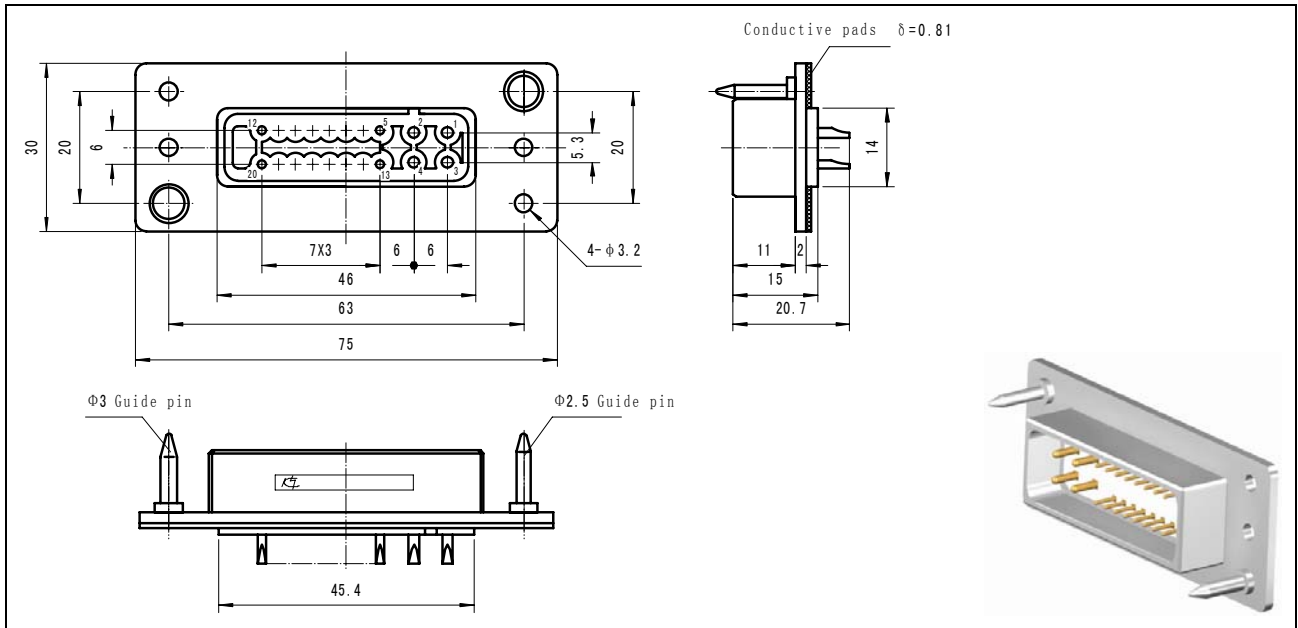
[Plug MR95T50HJA] (Add “-01” after the part number when the plug is with guide sockets)



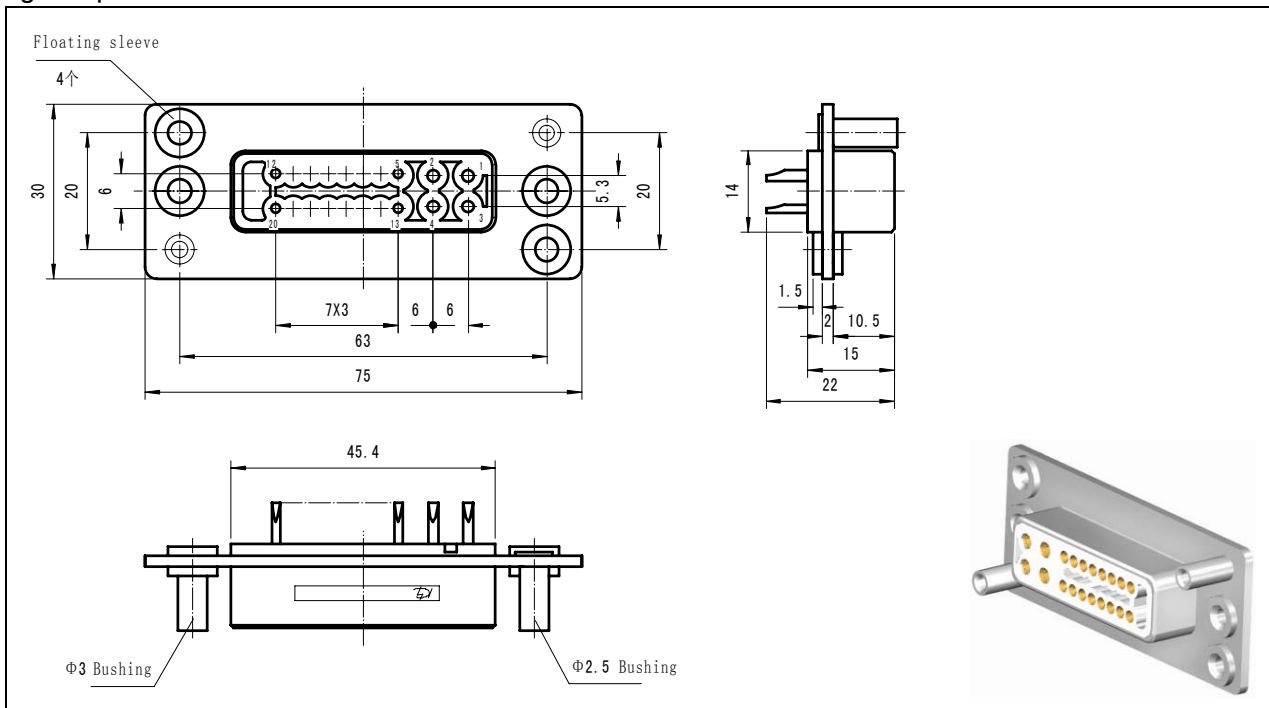
[Receptacle MR95Z50HJA, MR95Z50BJA] (Add “-01” after the part number when the receptacle is with guide pins)



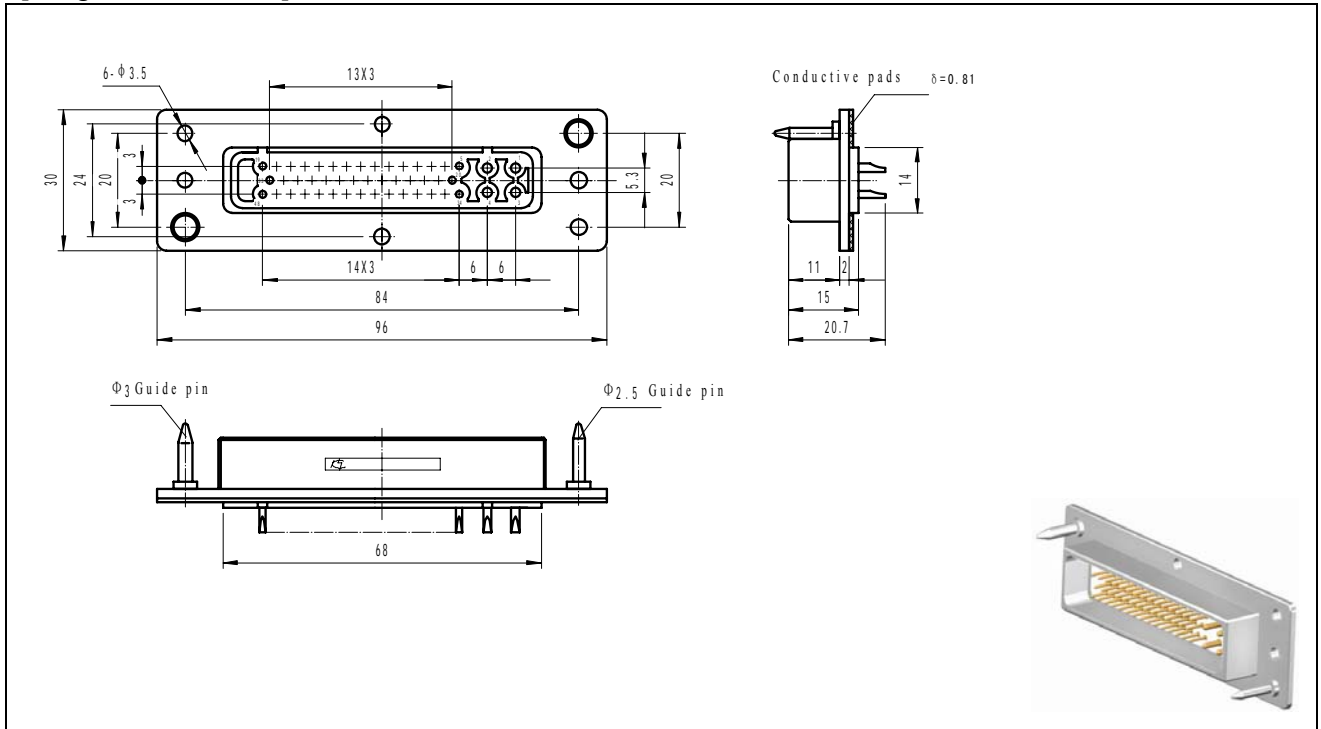
[Plug MR95T20HJ] (Add “-01” after the part number when the plug is with guide sockets)



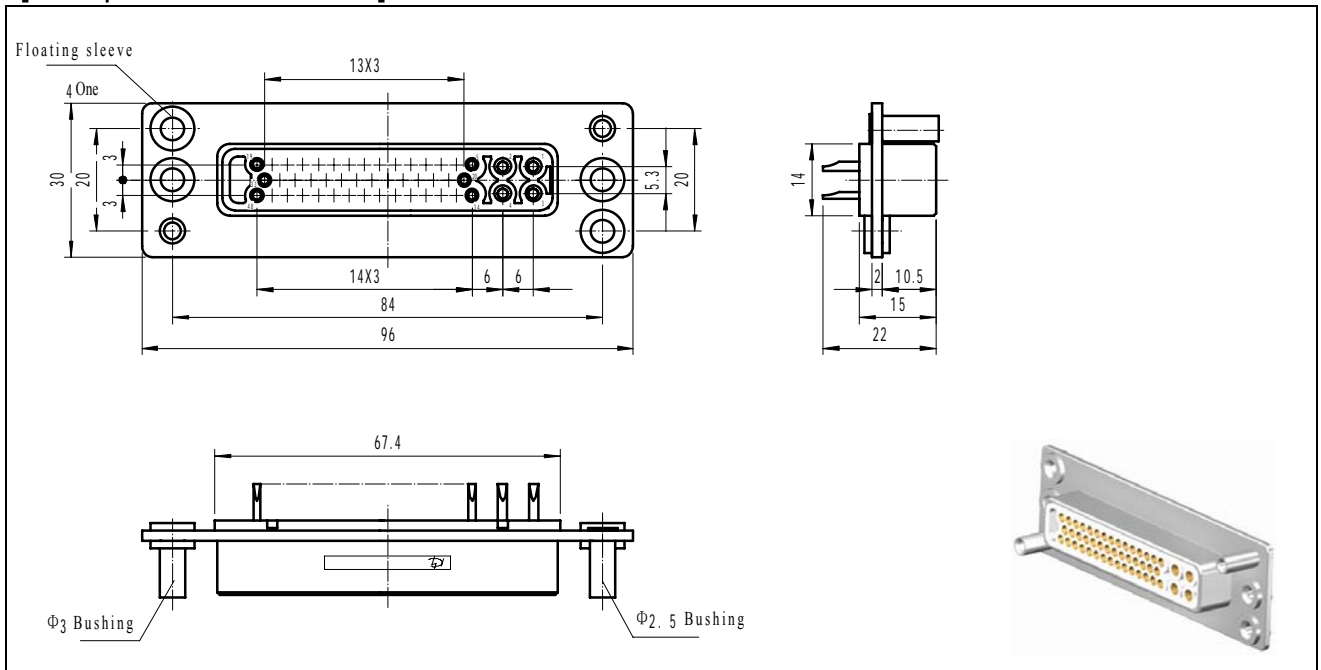
[Receptacle MR95Z20HJ] (Add “-01” after the part number when the receptacle is with guide pins)



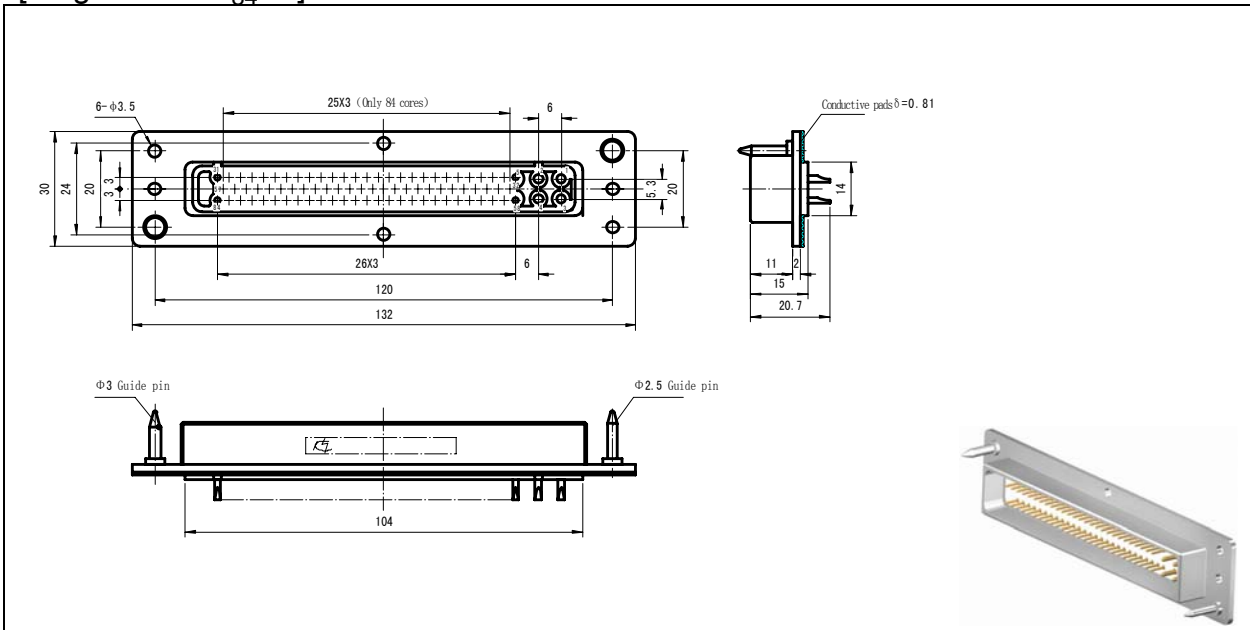
[Plug MR95T48HJ]



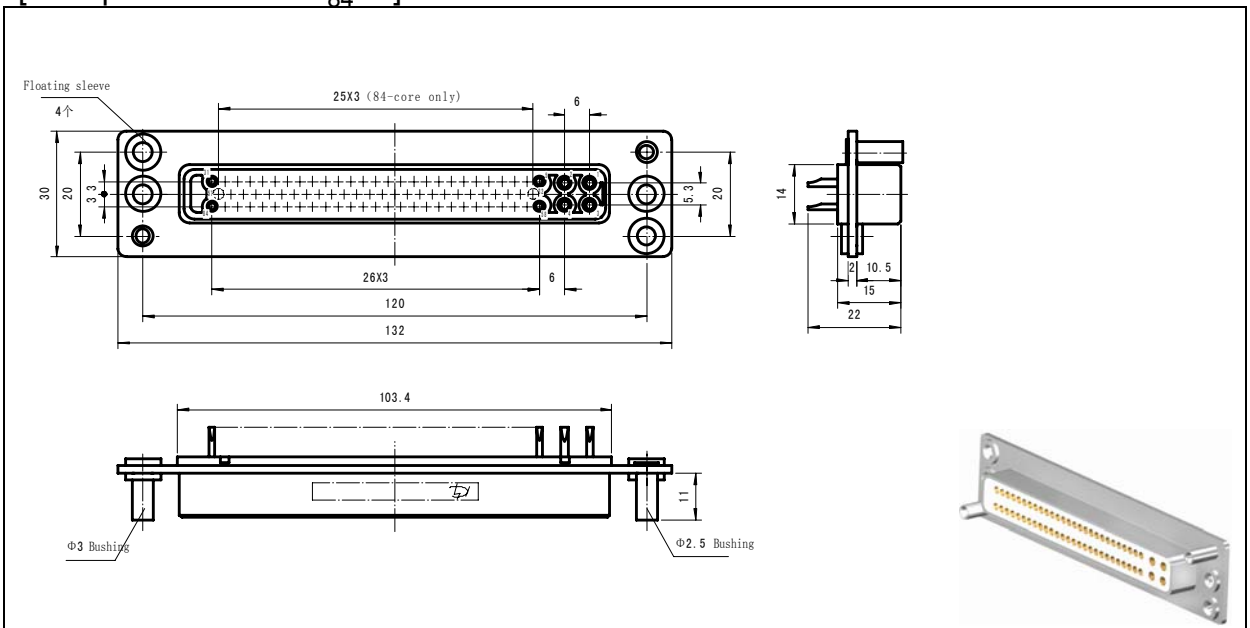
[Receptacle MR95Z48HJ]



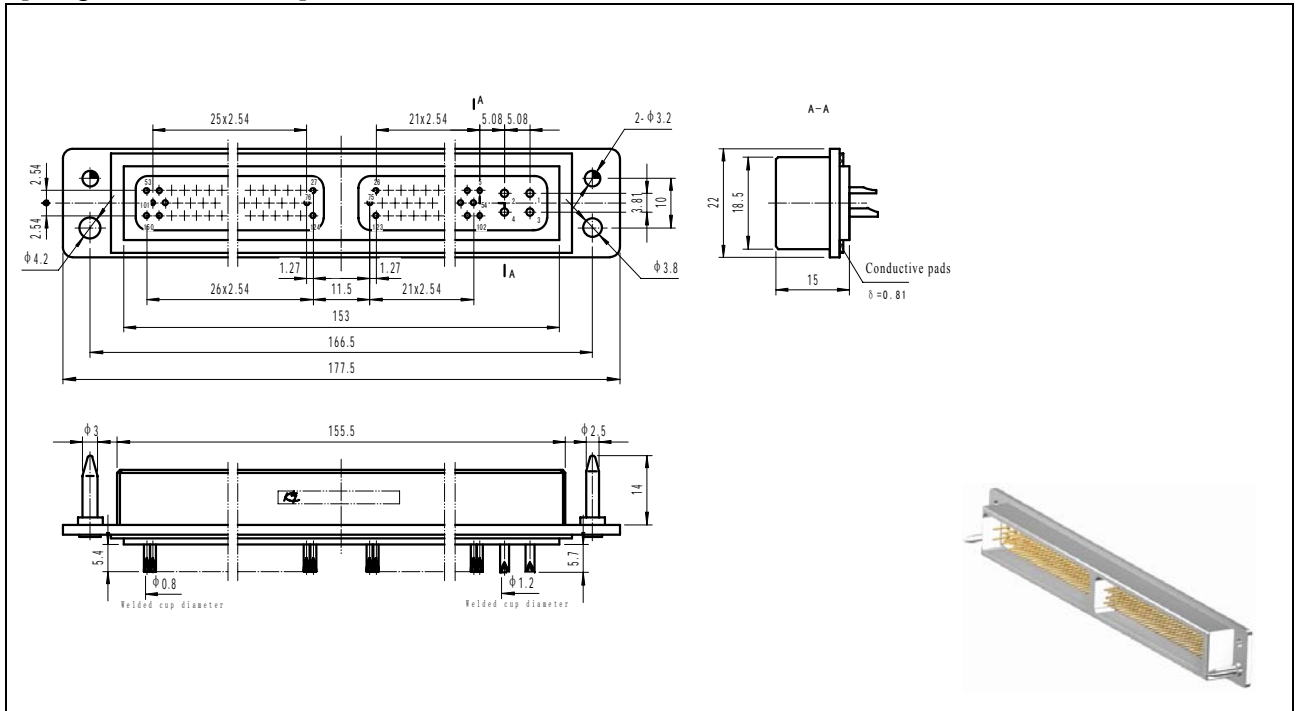
[Plug MR95T⁵⁸_{84HJ}]



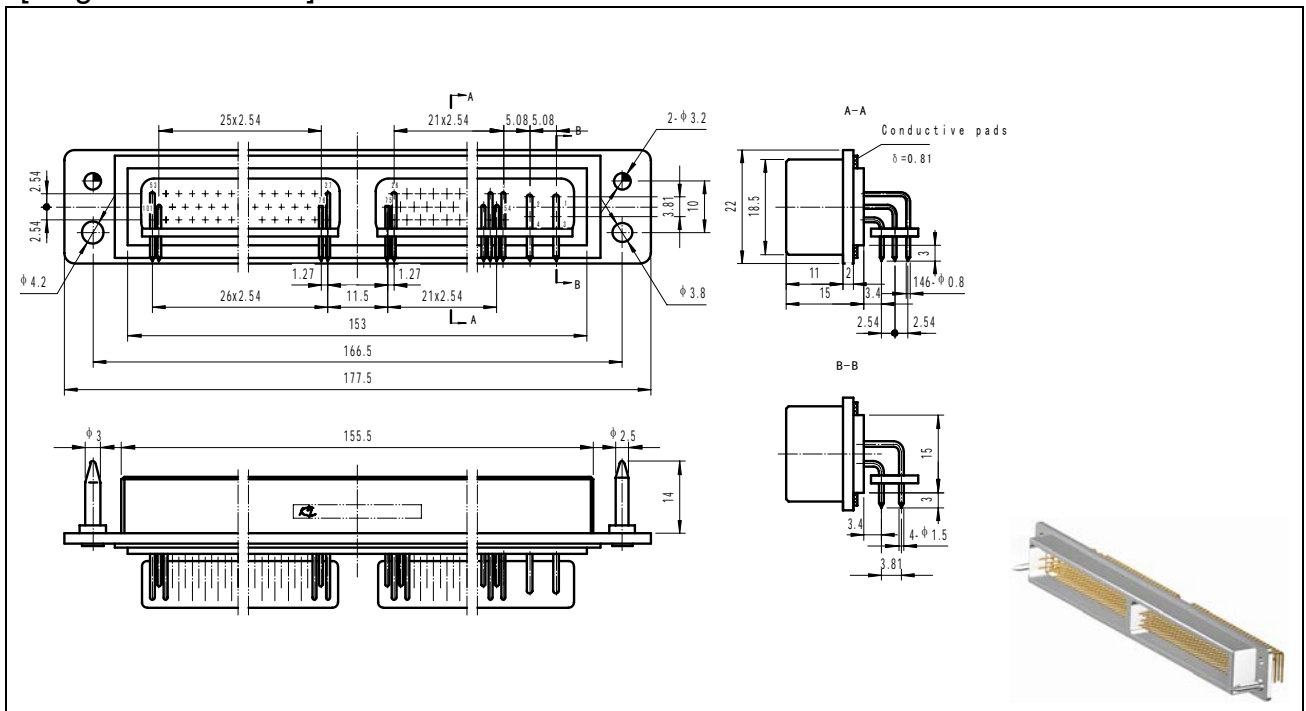
[Receptacle MR95Z⁵⁸_{84HJ}]



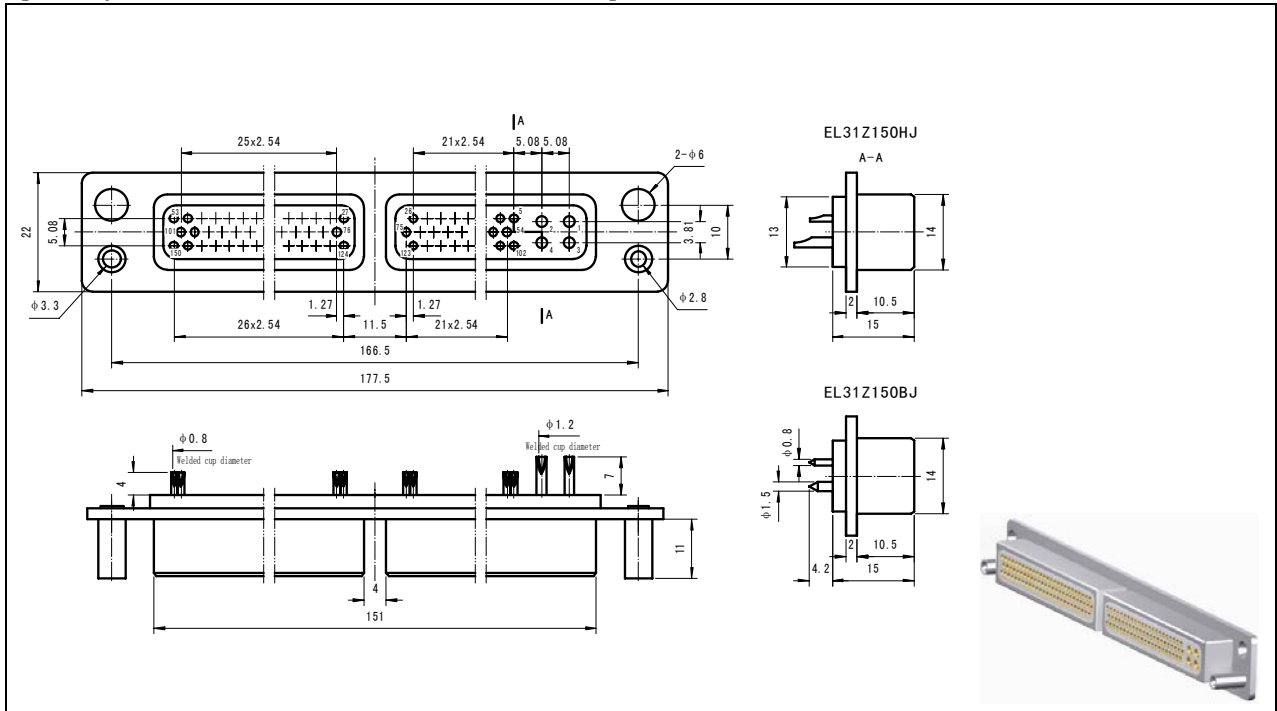
[Plug MR95T150HJ]



[Plug MR95T150WJ]



[Receptacle MR95Z150HJ, MR95Z150BJ]



[Receptacle MR95Z150WJ]

