

MF99, MF78 Series Rectangular Electrical Connectors

Brief introduction

- Plug and receptacle with guiding pins and sockets for anti-mismating
- Types of termination: soldering and PCB soldering
- Hyperboloid wire spring socket with low contact resistance
- Vibration and shock resistant
- Applied in electrical connection between train and signal control boxes.
- Standard: Q/21EJ210

Main technical characteristics

[Mechanical characteristics]

- vibration: 10~2000Hz, acceleration 147m/s²
- shock: acceleration 294m/s²
- durability: 1000 cycles

[Electrical characteristics]

- contact size: Φ1.5mm
- Rated current: 10A
- contact resistance: ≤2.5mΩ
- rated voltage: 250V
- withstanding voltage: 1500V
- Insulation resistance: normal temperature≥500 MΩ; heat and damp≥20MΩ

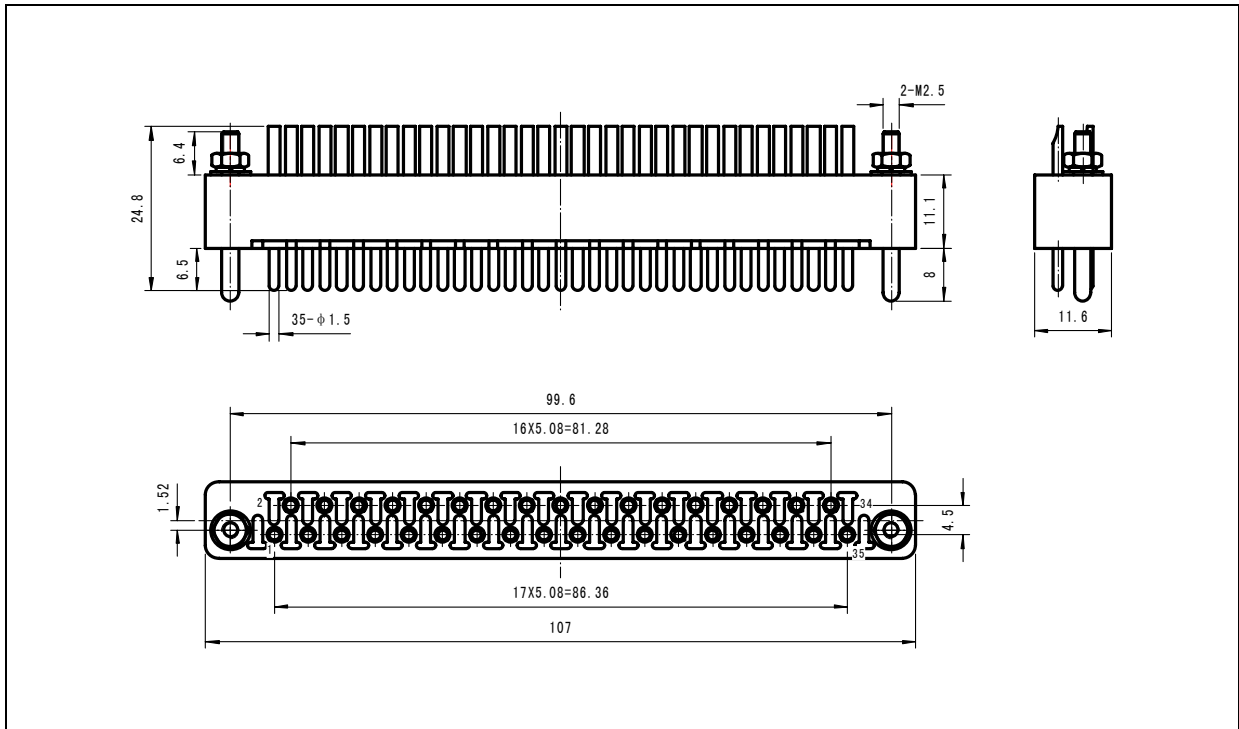
[Environmental characteristics]

- Operation temperature: -55~+125℃
- RH: 95%, at 40℃

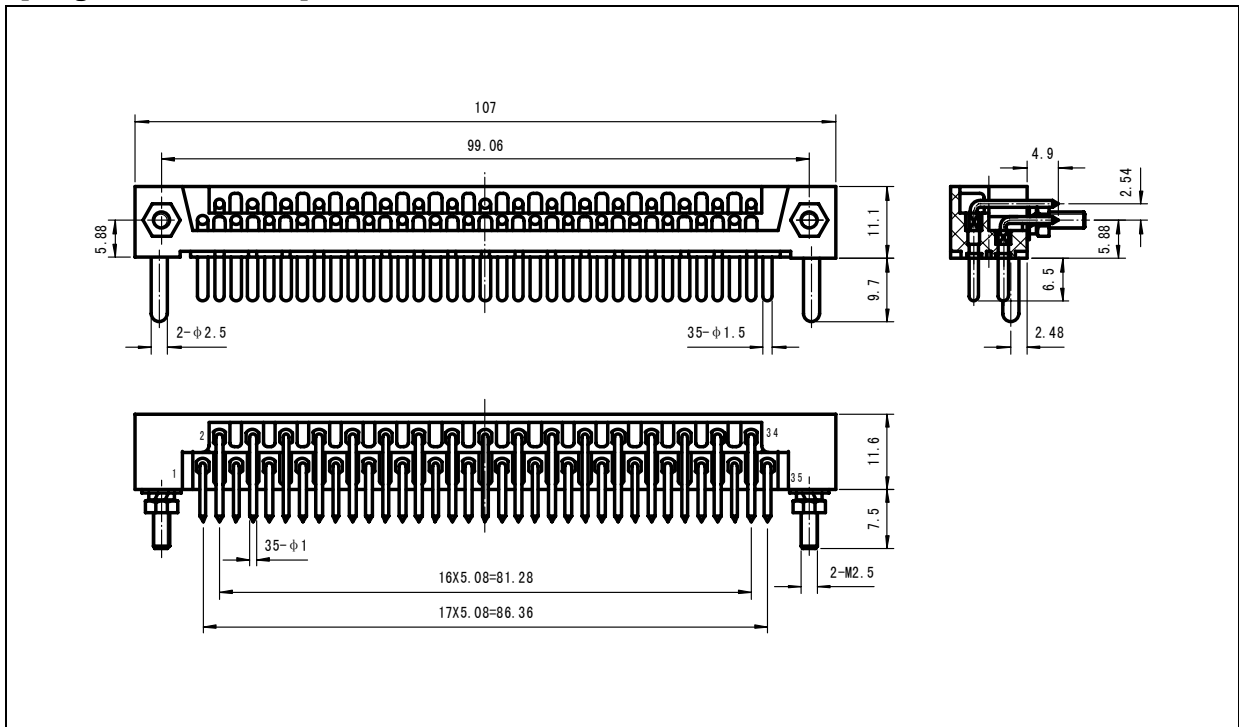
Designation

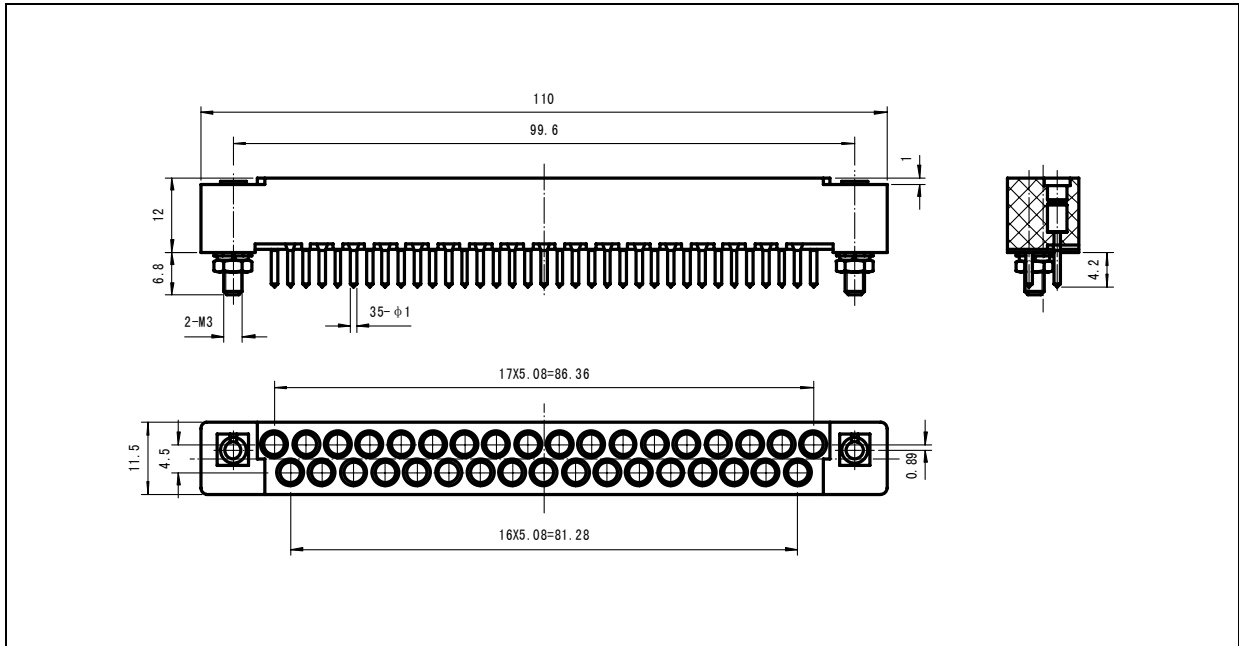
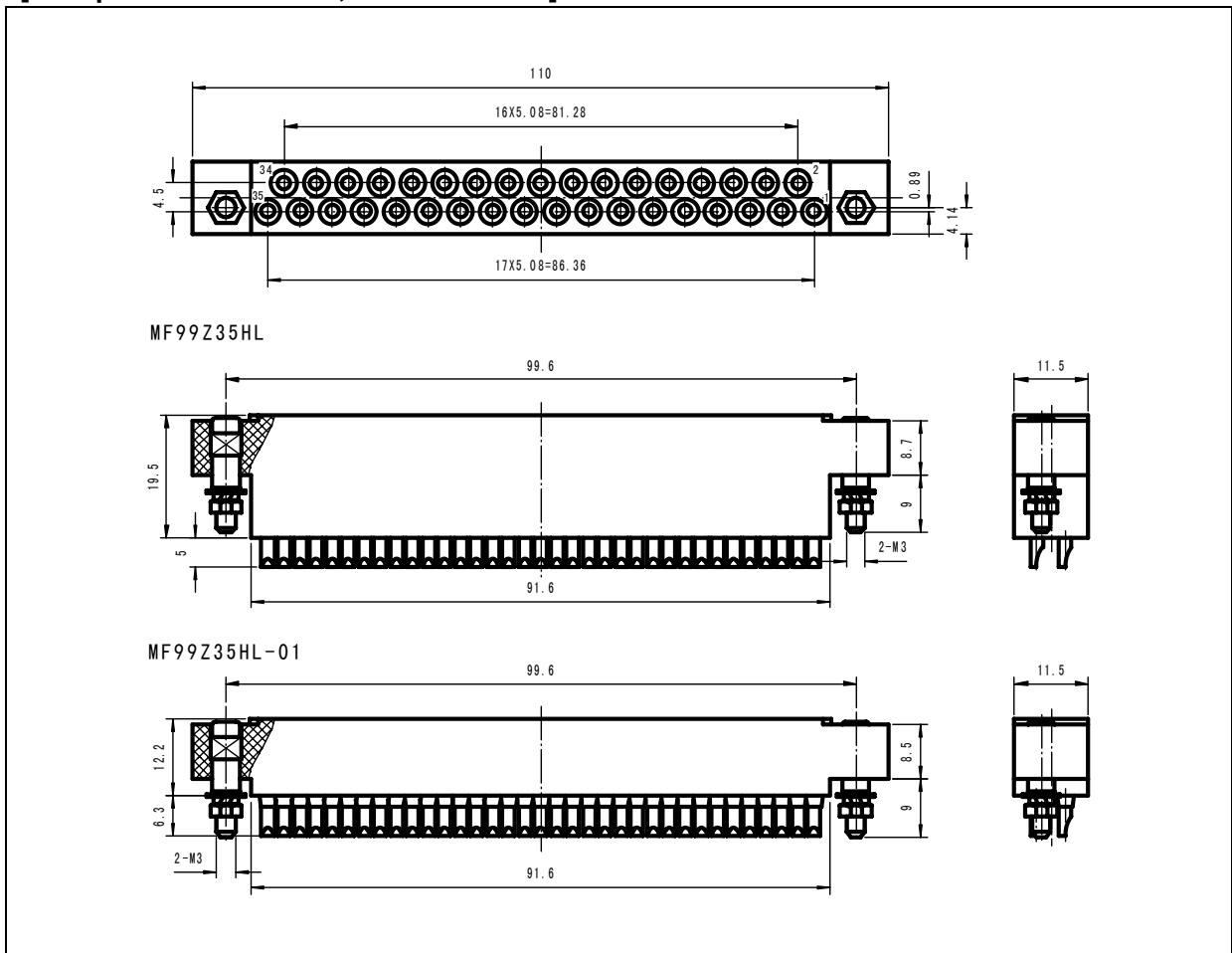
Series	MF99, MF78	T	35	W	J	-01
Product type	T—plug (with pins); Z—receptacle (with sockets)					
Contact No.	MF99 series: 35 MF78 series: 29, 45					
Termination type	H—soldering; B—straight PCB soldering; W—right angle PCB soldering					
Contact plating	J—gold plating					
Modification code	-01					

Outline dimensions [Plug MF99T35HJ]

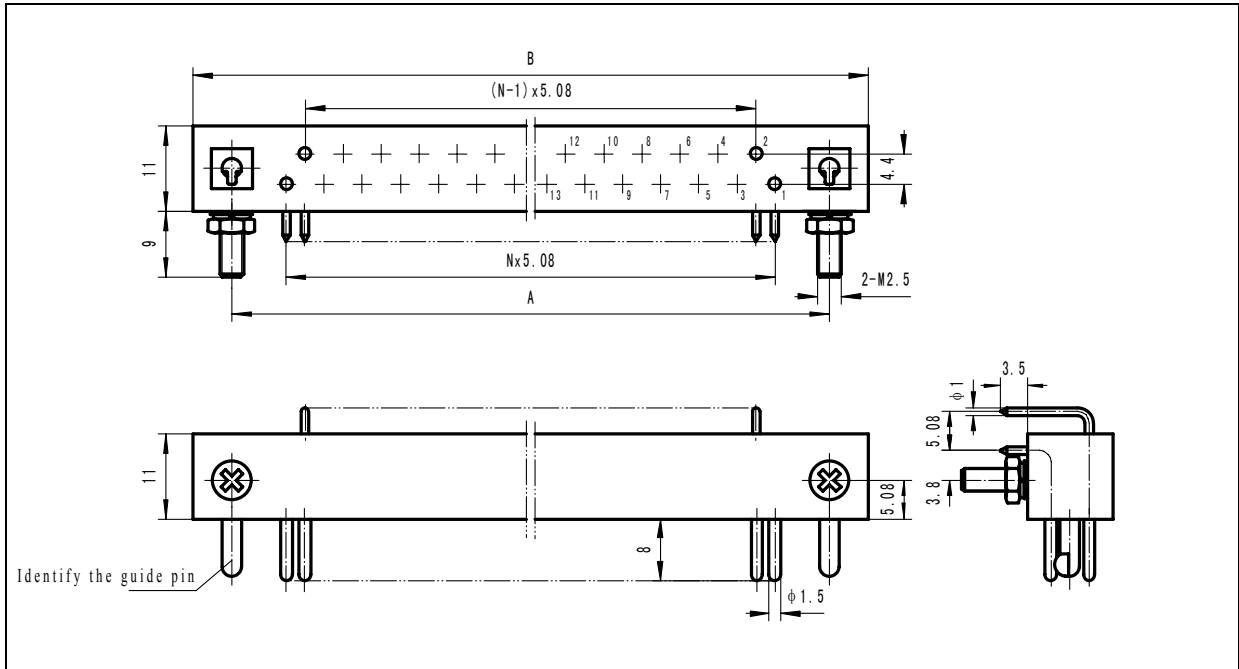


[Plug MF99T35WJ-01]

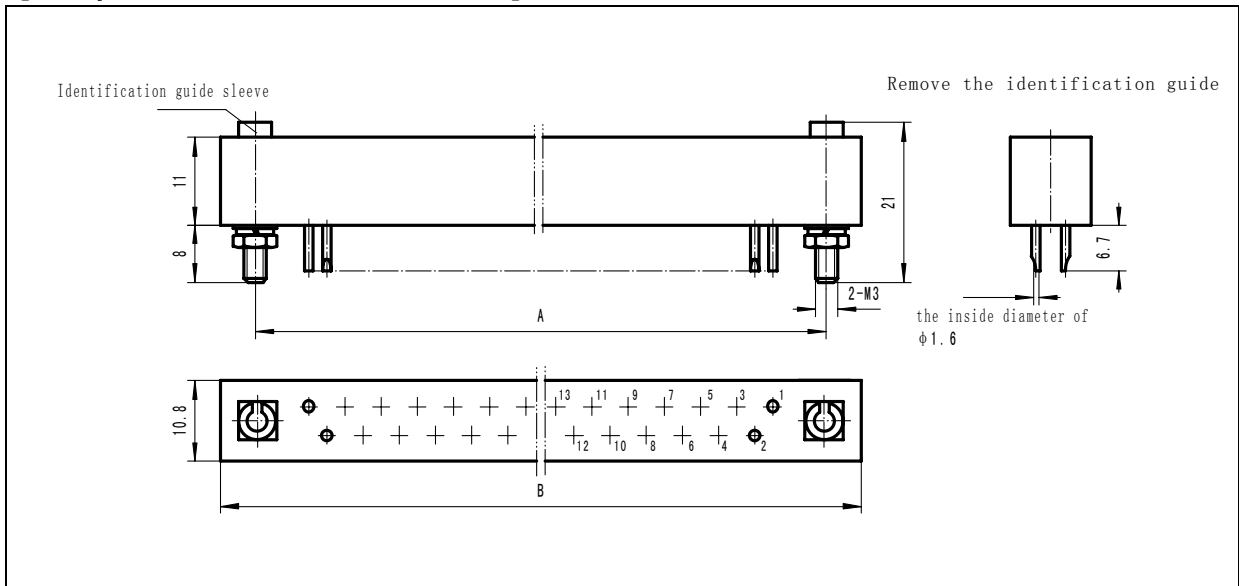


[Receptacle MF99Z35BJ]

[Receptacle MF99Z35HJ, MF99Z35HJ-01]


[Plug MF78T29WL, MF78T45WL]



[Receptacle MF78Z29HJ, MF78Z45HJ]



P/N	A	B	N
MF78T29WJ MF78Z29HJ	84.68	95.6	14
MF78T45WJ MF78Z45HJ	125.32	136.3	22

* Note: MF78-29 uses hexagonal polarization and MF78-45 uses square polarization