

## R16R series micro rectangular electrical connectors

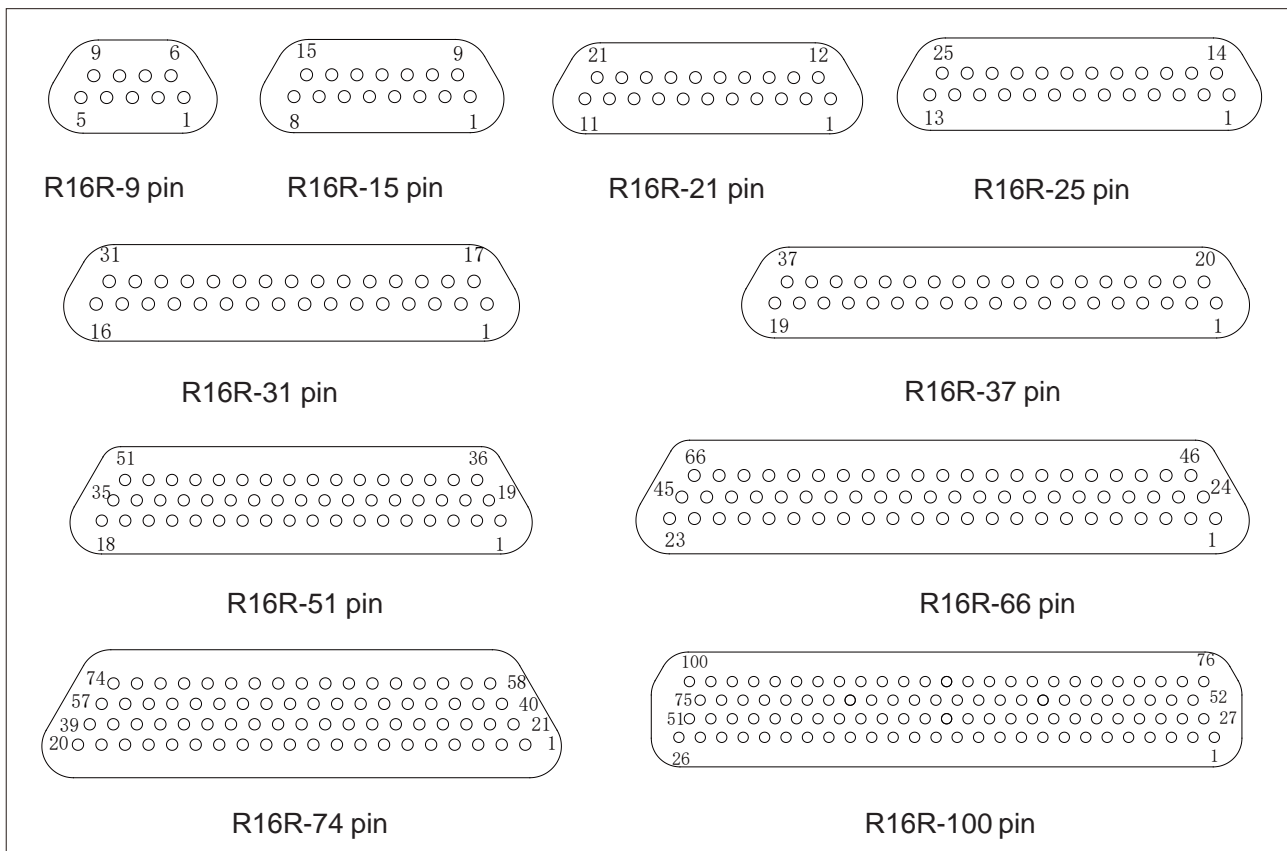
### Brief introduction

- Corresponding to American MDM series products.
- Pin number: There are ten specifications of 9, 15, 21, 25, 31, 37, 51, 66, 74, 100 pins.
- Stranded elastic pin (twisted pin) is adopted, with high contact density.
- The cross-sectional area of the conductor core is 0.1mm<sup>2</sup> ~ 0.15mm<sup>2</sup>. In addition, 0.07mm<sup>2</sup> wire can also be used, but the product model is special.
- The locking components of this series of products are assembled and supplied with the product according to the order requirements.
- Product performance meets the requirements of GJB2446.
- Executive standard: Q / Ln.J6-69A-2003 J30 series miniature rectangular electrical connectors detailed specifications.

### Technical characteristics

- Operating temperature: -55°C ~ +125°C
- Vibration: 10Hz ~ 2000Hz 196m/s<sup>2</sup>
- Random vibration: PSD 0.4G<sup>2</sup>/Hz
- Shock: 735m/s<sup>2</sup> 11ms
- Rated current: 3A
- Contact resistance: ≤ 10mΩ
- Insulation resistance: ≥ 5000MΩ
- Withstanding voltage: 800V
- Mechanical life: 500times

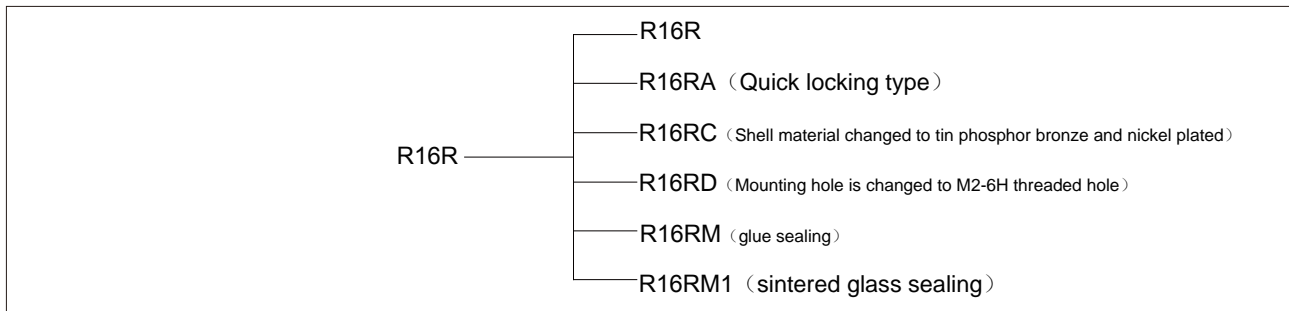
### Contact layout



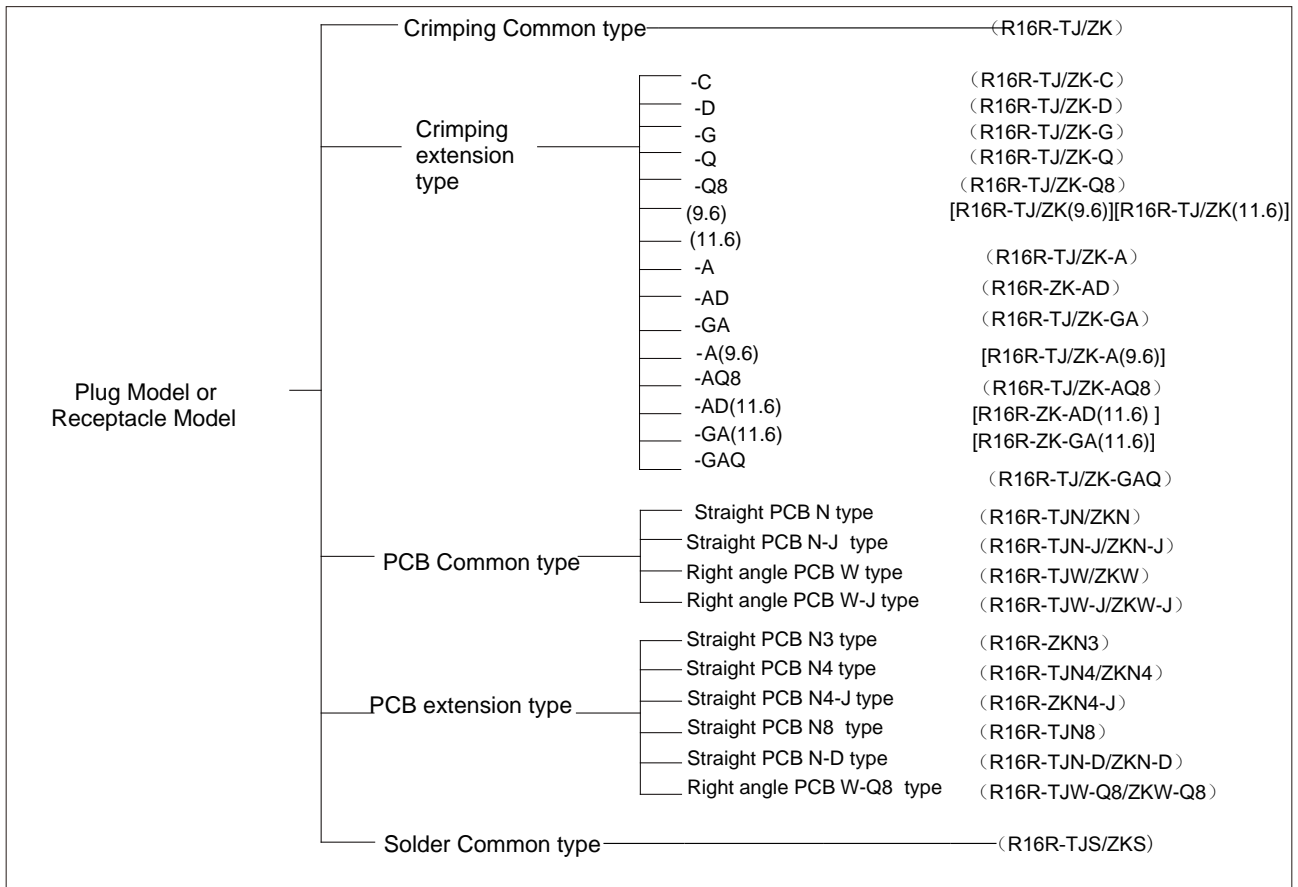
Note : From the butt end of the plug

## R16R series micro rectangular electrical connectors

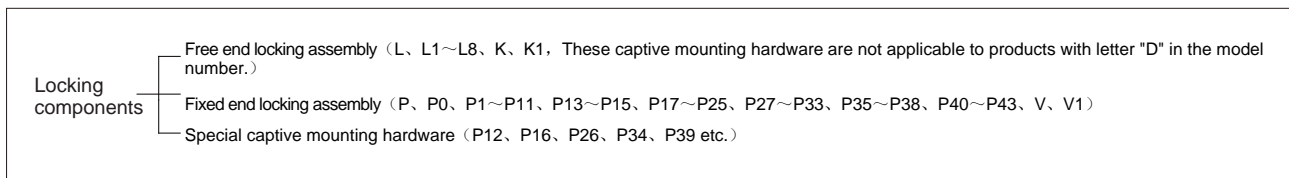
### Product Classification Table



### Plug (Receptacle) Model Table



### Locking components Model Table





## R16R series micro rectangular electrical connector

### Clamp Model Table

Clamp Model	A1 Type	— can mate with "Crimping Common type"plug(receptacle) only.
	A2 Type	— can mate with R16R-TJ-Q8/ZK-Q8 plug(receptacle) only.
	A3 Type	— It is the default mate of "Solder Common type" plug (receptacle),also can mate with can mate with "Crimping Common type"plug(receptacle).

### Things to know about product selection

When choosing R16R products, the plug (receptacle) fittings and locking components should be selected at the same time, so that the plug or receptacle with locking function can be selected. The wire clamp is not required, but it can be selected as required.

In addition, because not all plug (receptacle) fittings, locking components, and wire clip fittings can be combined and matched arbitrarily, as well as product characteristics, the following matters should be known when choosing R16R products:

1. The selection of wire clips should be carried out in accordance with the "Cable Clip Genealogy Tree". In addition, the plug (receptacle) fittings equipped with wire clips should not be equipped with the locking assembly in the front-mounted state (that is, the mounting screw is suitable for the locking assembly installed in the front of the board, such as P, P8, P9, etc.) The presence of the clip will prevent the mounting plate from being installed; if the plug (receptacle) fitting with the wire clip is to be equipped with the locking assembly after the board is installed (that is, the mounting screw is suitable for the locking assembly installed behind the board, (Such as P0, P3, P4, P11, etc.), the thickness of the board must be considered as "thickness of the mounting board +0.7".
2. Because the welding basic plug (receptacle) joint (R16R-TJS / ZKS) is equipped with an A3 type wire clamp by default, the R16R-TJS / ZKS-G plug (receptacle) expanded on the basis of it The assembly should also be equipped with A3 type cable clamps by default. In order to maintain the same coating of the clamp and the shell, the clamp should also be plated with cadmium.
3. The plug (receptacle) assembly containing the capital letter "D" in the model cannot be equipped with L, L1-L8, K, K1 and other locking components.
4. If the plug (receptacle) assembly containing the capital letter "D" at the rear of the model is to be equipped with a locking component for the installation state behind the board (ie, the mounting screw is suitable for the locking component installed behind the board, such as P0, P3, P4, P11, etc.), the thickness of the board must be considered according to "thickness of mounting board + 0.6".
5. The R16R-TJ / ZK-Q plug (receptacle) assembly is equipped with a flange interface rubber pad by default, but this rubber pad is only meaningful when the plug (receptacle) assembly is equipped with a fixed-end locking component. If the plug (receptacle) fitting is equipped with a free-end locking component, the rubber pad is not required. If the plug (receptacle) fitting is equipped with a special locking component, it is necessary to determine whether the locking component needs to be fixed with the mounting plate Equipped with rubber gasket for flange interface. However, due to the unity of product status, the rubber pad is shipped with the product regardless of the locking components.
6. The plug (receptacle) assembly with the capital letter "A" in the crimping extension type on page 505 defaults to a heat shrinkable tube and heat shrinkable and shielding net on the whole of the wire bundle in order Indicate in the contract. If the outermost layer of nylon wire is required for the wire harness, it should also be indicated in the contract.
7. If most of the holes of the product need to be connected with a wire with a thick outer diameter (such as AFRP-250 or AFPF-1 shielded wire, etc.), you should consider whether the product's glue cavity and wire clamp (when sometimes) There is enough room for accommodation, and the conclusion can usually only be drawn after trial installation.
8. If the product needs to have no plated conductors on the surface of the crimping core, or tinned conductors on the surface of the core, or single-core conductors, because the process of crimping such wires is special, the order contract should be a non-standard contract and should be Indicate the condition of the conductor core. This type of wire mainly includes AFR-200 wire, 82A01111 and other wires beginning with 82A, and soft round copper wire.
9. If there is no technical agreement or no consensus has been reached before, the sockets or pin fittings of the non-crimped wires will be used to block the blanks in the products.



## R16R series micro rectangular electrical connector

### Ordering information

R16R    ×    -    ×    TJ/ZK    ×    ×    -    ×    ×    ( Additional information )  
 ①        ②        ③        ④        ⑤        ⑥        ⑦        ⑧

① Basic series:

② Modified type: No marking letter: normal type

A - quick locking type

C - The shell material is tin phosphor bronze and nickel plating

D - The mounting hole is changed to M2-6H

M - glue sealing type

M1 - sintered glass sealing

③ Contact layout: 9、15、21、25、31、37、51、66、74、100

④ Connector type:

TJ - plug with pins

ZK - receptacle with sockets

TJ, ZK are fixed match

⑤ Termination Type:

No marking letter—crimping

S - soldering

N - straight PCB

W - right angle PCB

⑥ Locking component type: : See R16R locking components

⑦ Surface coating:

No marking letter - Nickel-plated for shell

G - Cadmium plating for shell

⑧ Basic modification: A - Shielded network cable clamp at the end of the shell

C - Used when the product outlet direction is perpendicular to the contact axis

D - The receptacle shell flange has anti-rotation grooves on the mating end

AD - Combination of Modification A and Modification D

Q - The flange of the shell is widened

J - PCB grid pattern should be 1.27×2.54

Note: The additional instructions are not part of the order mark. When choosing, please indicate the specifications of the crimped wire in brackets such as wire cross-sectional area, length and color. When there are special connection requirements, please give the connection relationship.

### Examples:

R16R-31 ZKP- GAD (11.6) (AFR-250 0.12mm<sup>2</sup> wire, 300mm wire length, nylon wire sleeve)

The above mark indicates that the number of contacts is 31 cores, the socket is equipped with a socket, the end of the contact is in the form of a crimp type, with a P-type locking component, with a tail cover and a clamp, and the wire harness is integrally covered with a heat shrink tube and a shielding net. The plating of the shell and the clip and tail cover are cadmium plating, the flange of the shell has anti-rotation groove and the width of the flange is 11.6mm; the brand of the wire is AFR-250, the cross-sectional area of the wire core is 0.12mm<sup>2</sup>. The wire length is not less than 300mm, the wire color is arbitrary, but the products of the same batch need to be unified and all holes are crimped with wires (for any additional instructions that do not indicate the wire color and do not mention the requirements for connecting wires in each hole, this is the default), guide The outermost layer of the wire harness also needs a R16R receptacle with a nylon wire sleeve.



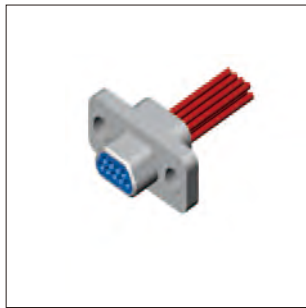
## R16R series micro rectangular electrical connectors

### R16R Crimping Common type R16R-TJ&J30J-ZK

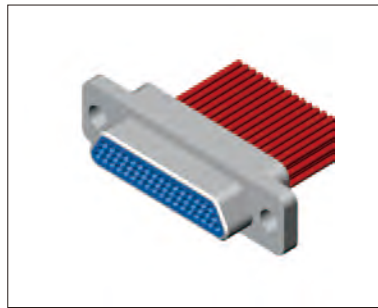
#### ■ Plug

■ R16R-9、15、21、25、31、37、51、66、74、100TJ

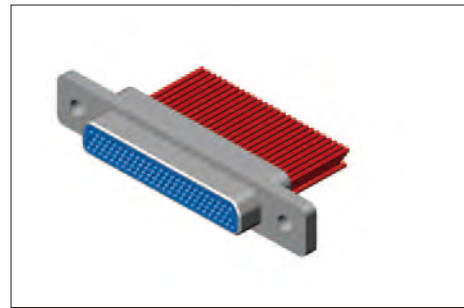
#### Stereogram



R16R-9TJ



R16R-51TJ

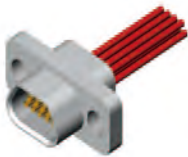


R16R-100TJ

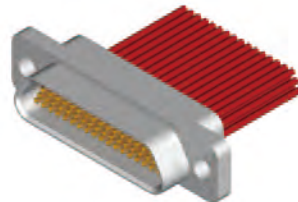
#### ■ Receptacle

■ R16R-9、15、21、25、31、37、51、66、74、100ZK

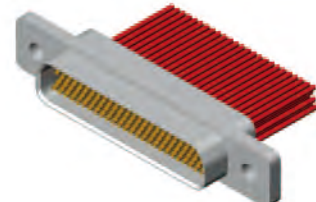
#### Stereogram



R16R-9ZK

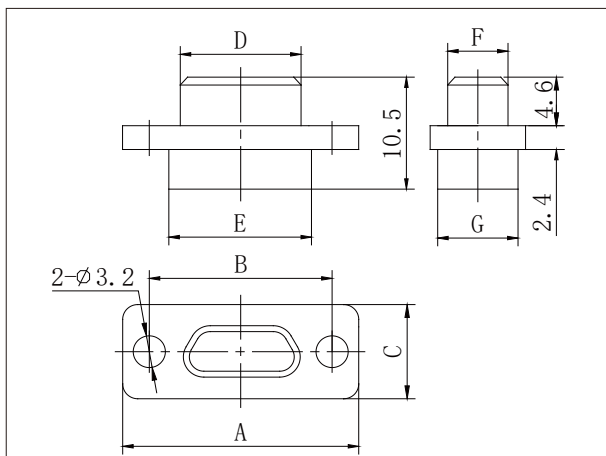


R16R-51ZK



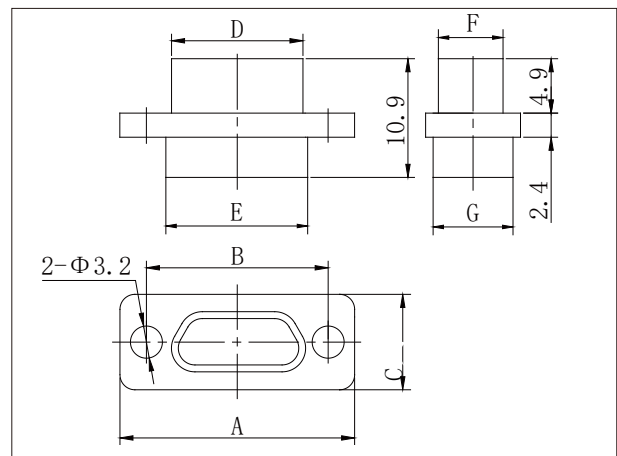
R16R-100ZK

#### Dimensions



R16R- □ TJ

#### Dimensions



R16R- □ ZK

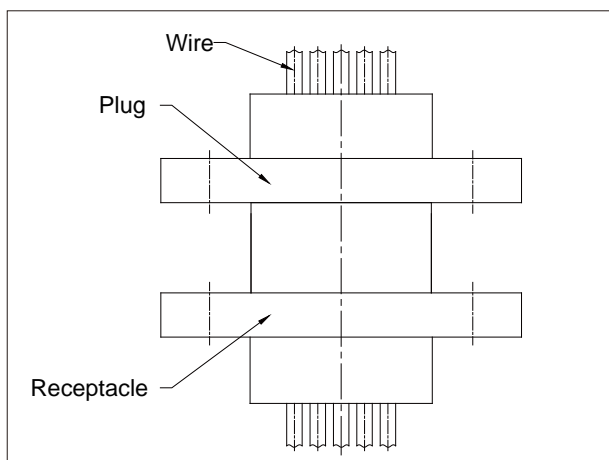


## R16R series micro rectangular electrical connector

### R16R Crimping Common type\R16R-TJ&J30J-ZK

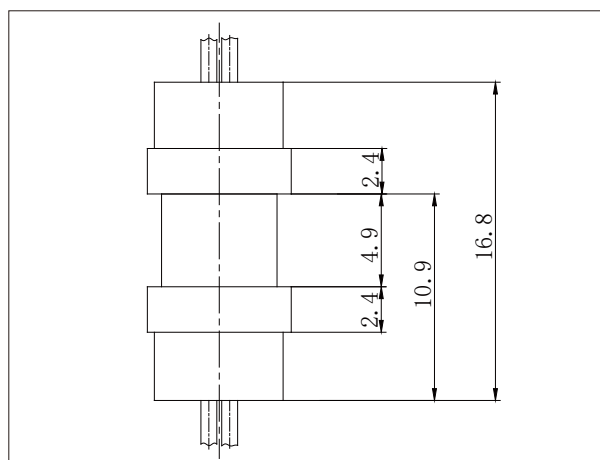
P/N	A	B	C	D	E	F	G
R16R-9TJ	19.6	14.3	7.6	8.3	9.9	4.7	6.8
R16R-15TJ	23.5	18.2	7.6	12.3	13.8	4.7	6.8
R16R-21TJ	27.4	22	7.6	16	17.6	4.7	6.8
R16R-25TJ	29.8	24.5	7.6	18.6	20.2	4.7	6.8
R16R-31TJ	33.6	28.3	7.6	22.4	24	4.7	6.8
R16R-37TJ	37.4	32.2	7.6	26.3	27.8	4.7	6.8
R16R-51TJ	36.4	30.86	8.7	25	26.6	5.8	7.9
R16R-66TJ	42.9	37.3	8.7	31.4	33	5.8	7.9
R16R-74TJ	38.8	33.5	9.7	27.5	29.1	6.8	9.1
R16R-100TJ	54.7	45.7	9.7	35	36.6	6.8	9.1
R16R-9ZK	19.6	14.3	7.6	9.8	9.9	6.1	6.8
R16R-15ZK	23.5	18.2	7.6	13.7	13.8	6.1	6.8
R16R-21ZK	27.4	22	7.6	17.4	17.6	6.1	6.8
R16R-25ZK	29.8	24.5	7.6	20	20.2	6.1	6.8
R16R-31ZK	33.6	28.3	7.6	23.8	24	6.1	6.8
R16R-37ZK	37.4	32.2	7.6	27.7	27.8	6.1	6.8
R16R-51ZK	36.4	30.86	8.7	26.5	26.6	7.2	7.9
R16R-66ZK	42.9	37.3	8.7	32.9	33	7.2	7.9
R16R-74ZK	38.8	33.5	9.7	29	29.1	8.3	9.1
R16R-100ZK	54.7	45.7	9.7	36.6	36.65	8.2	9.1

Outline drawing after docking



front view

Outline drawing after docking



left view



## R16R series micro rectangular electrical connector

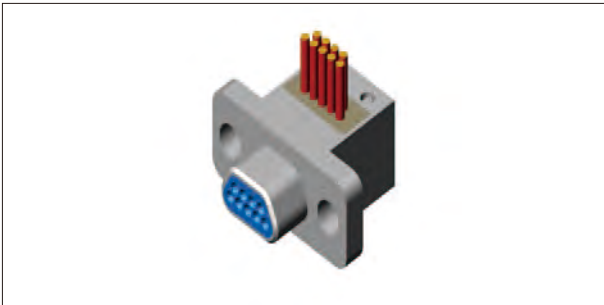
### R16R Crimping extension type\R16R-TJ-C&R16R-ZK-C

The crimping type product with the tail wire throwing direction perpendicular to the product's butting direction.

#### ■ Plug

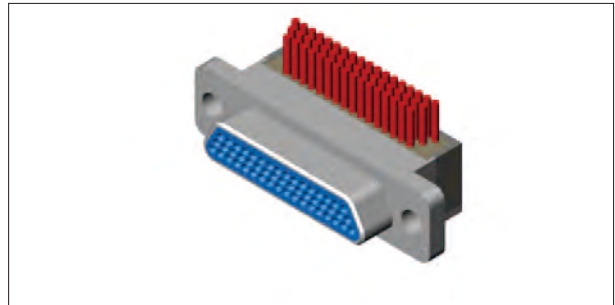
- R16R-9、15、21、25、31、37、51、66、74、100TJ-C

Stereogram



R16R-9TJ-C

Stereogram

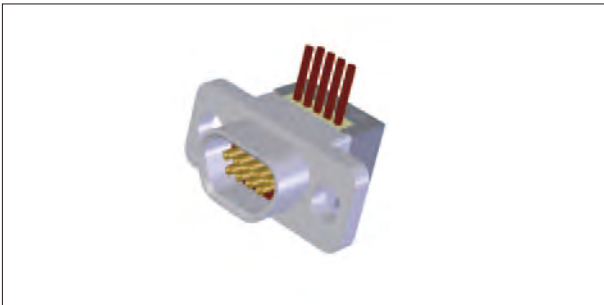


R16R-51TJ-C

#### ■ Receptacle

- R16R-9、15、21、25、31、37、51、66、74、100ZK-C

Stereogram



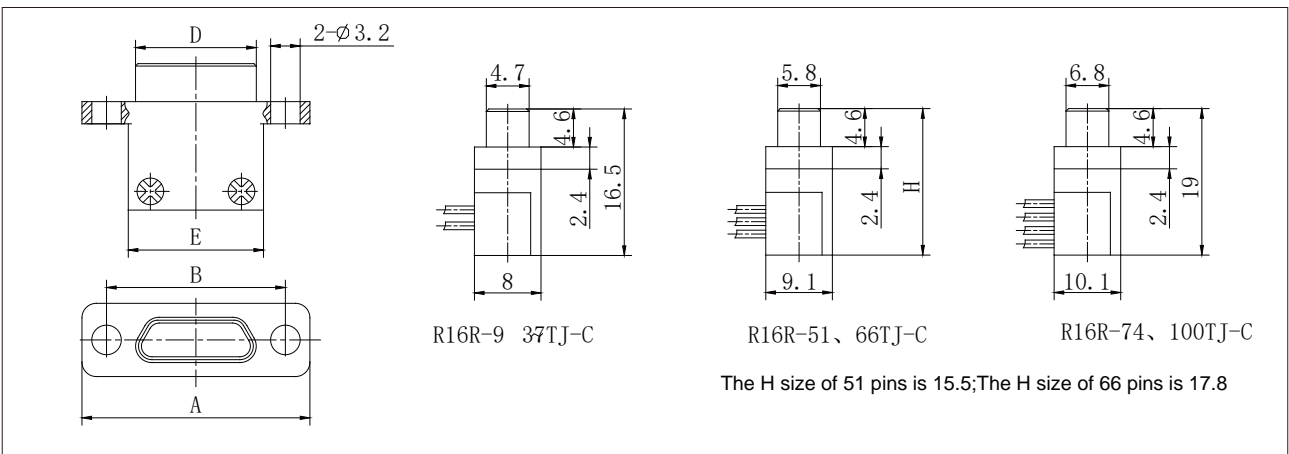
R16R-9ZK-C

Stereogram



R16R-51ZK-C

### Outline dimension drawing



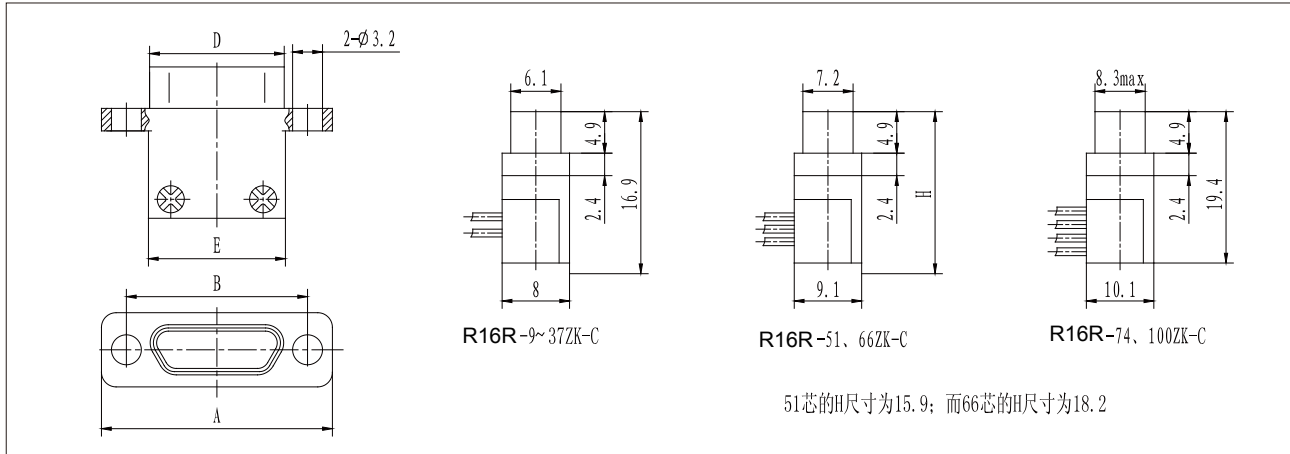
R16R-9 ~ 100TJ-C

Left view of each pin number(plug)

## R16R series micro rectangular electrical connector

### R16R Crimping extension type R16R-TJ-C & R16R-ZK-C

#### Outline dimension drawing



R16R-9 ~ 100ZK-C

Left view of each pin number(receptacle)

P/N	A	B	D		E
			TJ-C	ZK-C	
R16R-9TJ / ZK-C	19.6	14.3	8.3	9.8	9.9
R16R-15TJ / ZK-C	23.5	18.2	12.3	13.7	13.8
R16R-21TJ / ZK-C	27.4	22	16	17.4	17.6
R16R-25TJ / ZK-C	29.8	24.5	18.6	20	20.2
R16R-31TJ / ZK-C	33.6	28.3	22.4	23.8	24
R16R-37TJ / ZK-C	37.4	32.2	26.3	27.7	27.8
R16R-51TJ / ZK-C	36.4	30.86	25	26.5	26.6
R16R-66TJ / ZK-C	42.9	37.3	31.4	32.9	33
R16R-74TJ / ZK-C	38.8	33.5	27.5	29	29.1
R16R-100TJ / ZK-C	54.7	45.7	35	36.6	36.6

**Note:**

The outlet direction of the R16R-TJ-C plug is opposite to that of the R16R-ZK-C receptacle.





## R16R series micro rectangular electrical connector

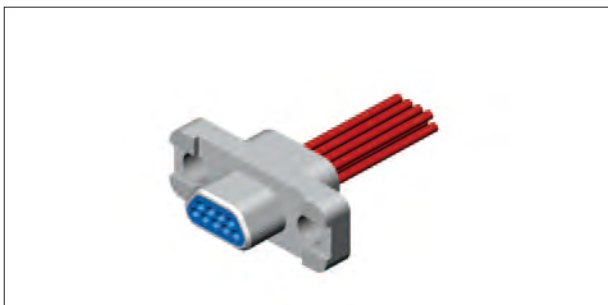
### R16R Crimping extension type R16R-TJ-D & R16R-ZK-D

A crimped product with a groove on the flange of the housing to prevent the installation screw from turning.

#### ■ Plug

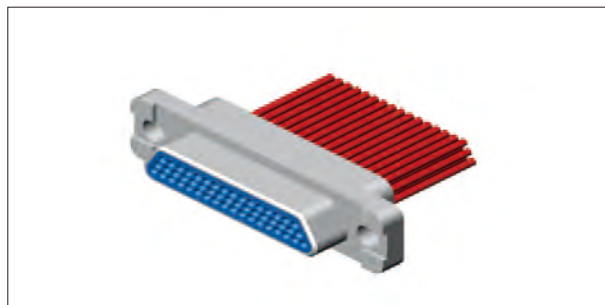
- R16R-9、15、21、25、31、37、51、66、74、100TJ-D

Stereogram



R16R-9TJ-D

Stereogram

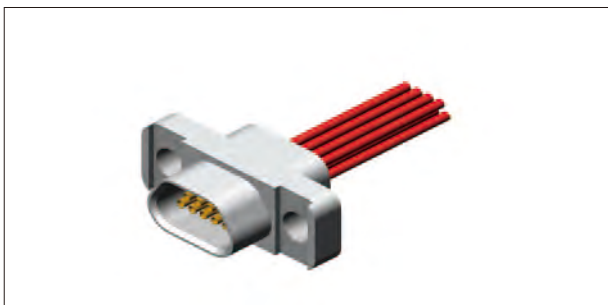


R16R-51TJ-D

#### ■ Receptacle

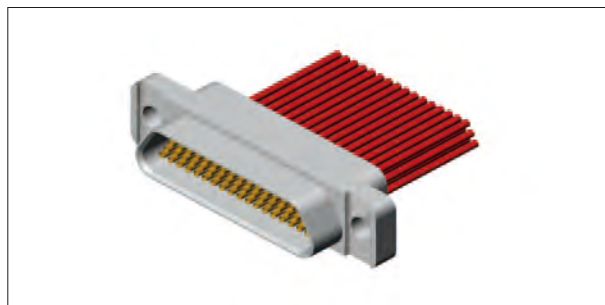
- R16R-9、15、21、25、31、37、51、66、74、100ZK-D

Stereogram



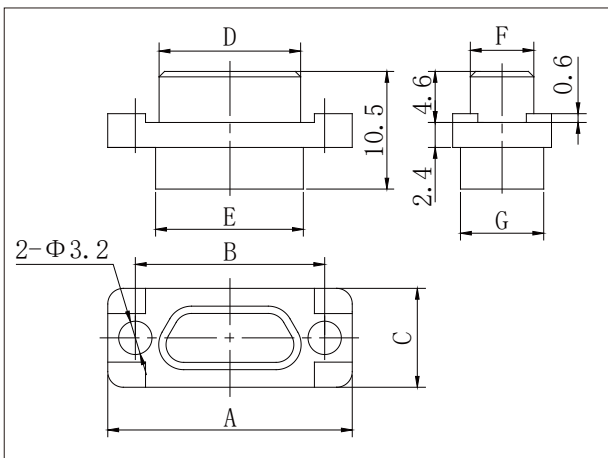
R16R-9ZK-D

Stereogram



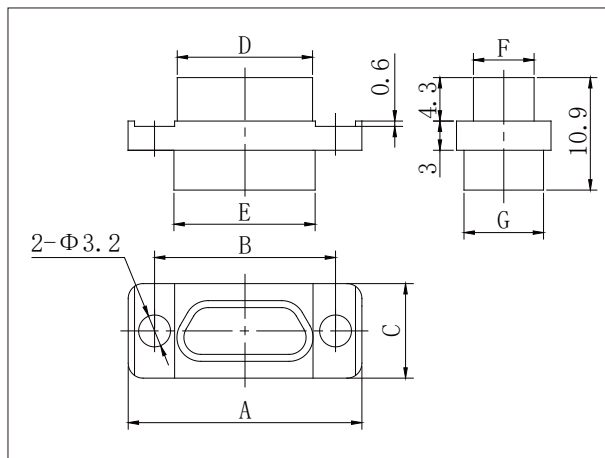
R16R-51ZK-D

Outline dimension drawing



R16R- □ TJ-D

Outline dimension drawing



R16R- □ ZK-D



## R16R series micro rectangular electrical connector

### R16R Crimping extension type R16R-TJ-D & R16R-ZK-D

P/N	A	B	C	D	E	F	G
R16R-9TJ-D	19.6	14.3	7.6	8.3	9.9	4.7	6.8
R16R-15TJ-D	23.5	18.2	7.6	12.3	13.8	4.7	6.8
R16R-21TJ-D	27.4	22	7.6	16	17.6	4.7	6.8
R16R-25TJ-D	29.8	24.5	7.6	18.6	20.2	4.7	6.8
R16R-31TJ-D	33.6	28.3	7.6	22.4	24	4.7	6.8
R16R-37TJ-D	37.4	32.2	7.6	26.3	27.8	4.7	6.8
R16R-51TJ-D	36.4	30.86	8.7	25	26.6	5.8	7.9
R16R-66TJ-D	42.9	37.3	8.7	31.4	33	5.8	7.9
R16R-74TJ-D	38.8	33.5	9.7	27.5	29.1	6.8	9.1
R16R-100TJ-D	54.7	45.7	9.7	35	36.6	6.8	9.1
R16R-9ZK-D	19.6	14.3	7.6	9.8	9.9	6.1	6.8
R16R-15ZK-D	23.5	18.2	7.6	13.7	13.8	6.1	6.8
R16R-21ZK-D	27.4	22	7.6	17.4	17.6	6.1	6.8
R16R-25ZK-D	29.8	24.5	7.6	20	20.2	6.1	6.8
R16R-31ZK-D	33.6	28.3	7.6	23.8	24	6.1	6.8
R16R-37ZK-D	37.4	32.2	7.6	27.7	27.8	6.1	6.8
R16R-51ZK-D	36.4	30.86	8.7	26.5	26.6	7.2	7.9
R16R-66ZK-D	42.9	37.3	8.7	32.9	33	7.2	7.9
R16R-74ZK-D	38.8	33.5	9.7	29	29.1	8.3	9.1
R16R-100ZK-D	54.7	45.7	9.7	36.6	36.65	8.2	9.1

### R16R Crimping extension type J30J-TJ-G & J30J-ZK-G

On the basis of R16R-TJ/ZK common product, the shell coating is changed to cadmium plating.

#### ■ Plug

■ R16R-9, 15, 21, 25, 31, 37, 51, 66, 74, 100TJ-G

#### ■ Receptacle

■ R16R-9, 15, 21, 25, 31, 37, 51, 66, 74, 100ZK-G



R16R- □ TJ-G R16R- □ ZK-G

Note: The appearance of this product is the same as the R16R-TJ / ZK basic product except for the difference in color due to the coating of the shell. Therefore, its external dimensions and mounting plate opening dimensions are based on the R16R-TJ / ZK basic product with the corresponding number of pins.



## R16R series micro rectangular electrical connector

### R16R Crimping extension type J30J-TJ-Q & J30J-ZK-Q

The length and width of the shell flange are increased, the spacing between the mounting holes is increased, and a gasket is provided

#### Plug

R16R-9、 15、 21、 25、 31、 37、 51、 66、 74、 100TJ-Q

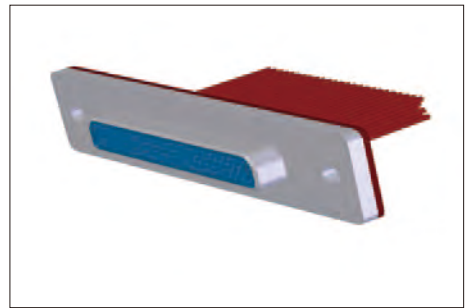
#### Stereogram



R16R-9TJ-Q



R16R-51TJ-Q



R16R-100TJ-Q

#### Receptacle

R16R-9、 15、 21、 25、 31、 37、 51、 66、 74、 100ZK-Q

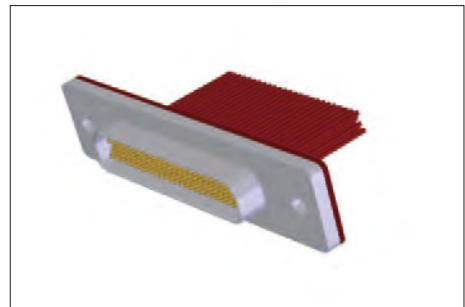
#### Stereogram



R16R-9ZK-Q

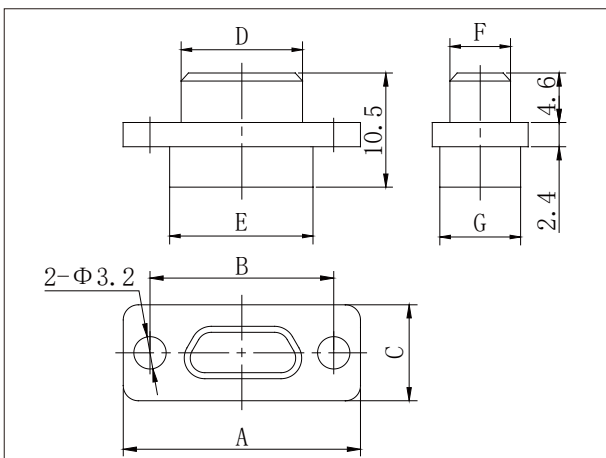


R16R-51ZK-Q Outline

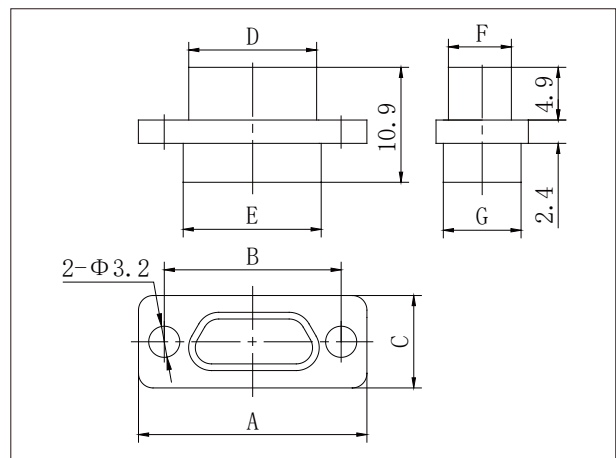


R16R-100ZK-Q

#### dimension drawing



R16R- TJ-Q



R16R- ZK-Q

Note: The thickness of the rubber pads (see product perspective) installed on the flange of the product is 1mm.



## R16R series micro rectangular electrical connector

### R16R Crimping extension type J30J-TJ-Q & J30J-ZK-Q

P/N	A	B	C	D	E	F	G
R16R-9TJ-Q	26	21	14	8.3	9.9	4.7	6.8
R16R-15TJ-Q	29.9	24.9	14	12.3	13.8	4.7	6.8
R16R-21TJ-Q	33.8	28.7	14	16	17.6	4.7	6.8
R16R-25TJ-Q	36.2	31.2	14	18.6	20.2	4.7	6.8
R16R-31TJ-Q	40	35	14	22.4	24	4.7	6.8
R16R-37TJ-Q	43.8	38.9	14	26.3	27.8	4.7	6.8
R16R-51TJ-Q	42.6	37.6	15.2	25	26.6	5.8	7.9
R16R-66TJ-Q	49.3	44	15.2	31.4	33	5.8	7.9
R16R-74TJ-Q	45.2	40.2	16.1	27.5	29.1	6.8	9.1
R16R-100TJ-Q	61.1	52.4	16.1	35	36.6	6.8	9.1
R16R-9ZK-Q	26	21	14	9.8	9.9	6.1	6.8
R16R-15ZK-Q	29.9	24.9	14	13.7	13.8	6.1	6.8
R16R-21ZK-Q	33.8	28.7	14	17.4	17.6	6.1	6.8
R16R-25ZK-Q	36.2	31.2	14	20	20.2	6.1	6.8
R16R-31ZK-Q	40	35	14	23.8	24	6.1	6.8
R16R-37ZK-Q	43.8	38.9	14	27.7	27.8	6.1	6.8
R16R-51ZK-Q	42.6	37.6	15.2	26.5	26.6	7.2	7.9
R16R-66ZK-Q	49.3	44	15.2	32.9	33	7.2	7.9
R16R-74ZK-Q	45.2	40.2	16.1	29	29.1	8.3	9.1
R16R-100ZK-Q	61.1	52.4	16.1	36.6	36.65	8.2	9.1



## R16R series micro rectangular electrical connector

### R16R Crimping extension type\R16R-TJ-Q8 & R16R-ZK-Q8

The length, width and spacing of the flanges of the shell are increased on the basis of R16R-TJ / ZK.

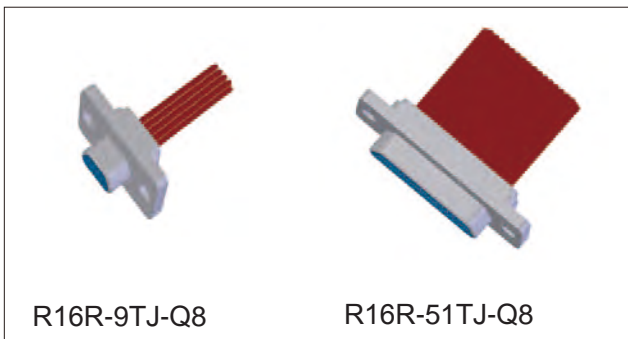
#### Plug

R16R-9, 15, 21, 25, 31, 37, 51TJ-Q8

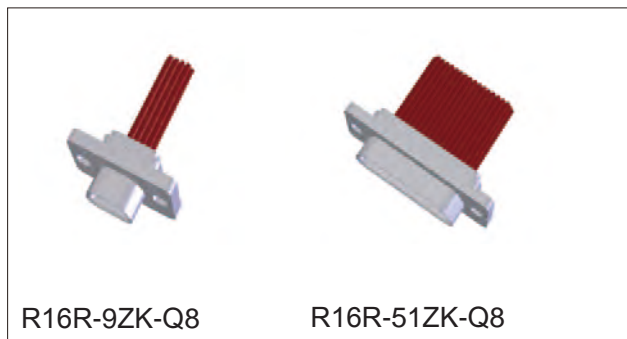
#### Receptacle

R16R-9, 15, 21, 25, 31, 37, 51ZK-Q8

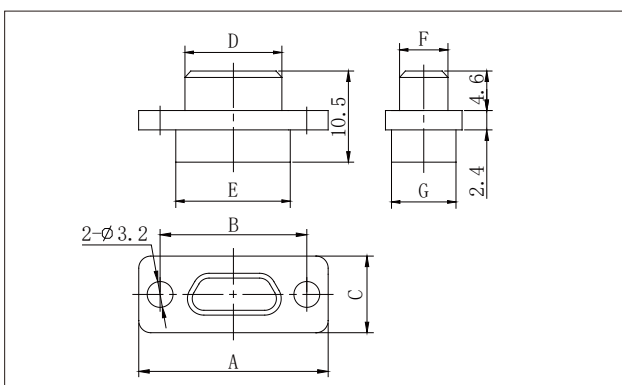
#### Stereogram



#### Stereogram

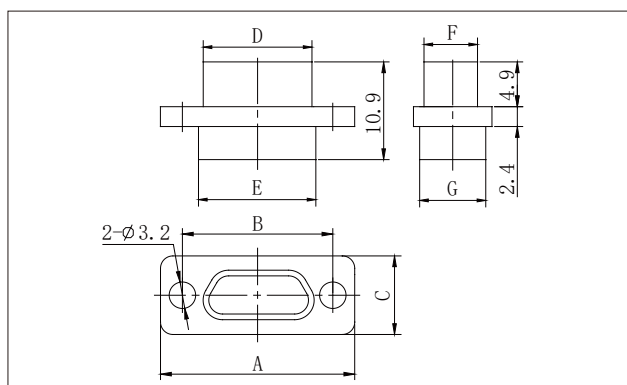


#### Outline dimension drawing



R16R- TJ-Q8

#### Outline dimension drawing



R16R- ZK-Q8

P/N	A	B	C	D		E	F		G
				TJ-Q8	ZK-Q8		TJ-Q8	ZK-Q8	
R16R-9TJ / ZK-Q8	21.4	16.1	11.6	8.3	9.8	11.7	4.7	6.1	6.8
R16R-15TJ / ZK-Q8	25.3	20	11.6	12.3	13.7	15.6	4.7	6.1	6.8
R16R-21TJ / ZK-Q8	29.2	23.8	11.6	16	17.4	19.4	4.7	6.1	6.8
R16R-25TJ / ZK-Q8	31.6	26.3	11.6	18.6	20	22	4.7	6.1	6.8
R16R-31TJ / ZK-Q8	35.4	30.1	11.6	22.4	23.8	25.8	4.7	6.1	6.8
R16R-37TJ / ZK-Q8	39.2	34	11.6	26.3	27.7	29.6	4.7	6.1	6.8
R16R-51TJ / ZK-Q8	38.2	32.6	12.6	25	26.5	28.4	5.8	7.2	7.9

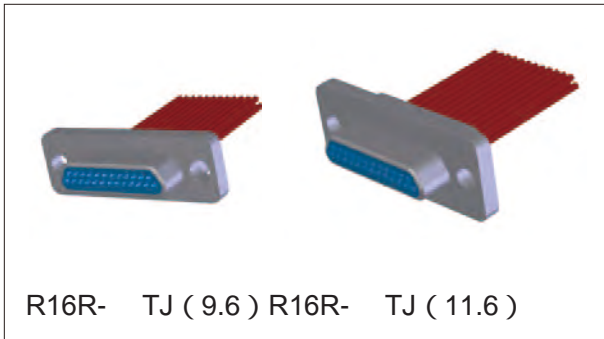
## R16R series micro rectangular electrical connector

R16R Crimping extension type \J30J-TJ ( 9.6 ) & R16R-ZK ( 9.6 ) & J30J-TJ ( 11.6 ) & R16R-ZK ( 11.6 )

### Plug

R16R-9、15、21、25、31、37TJ ( 9.6 )  
R16R-9、15、21、25、31、37TJ ( 11.6 )

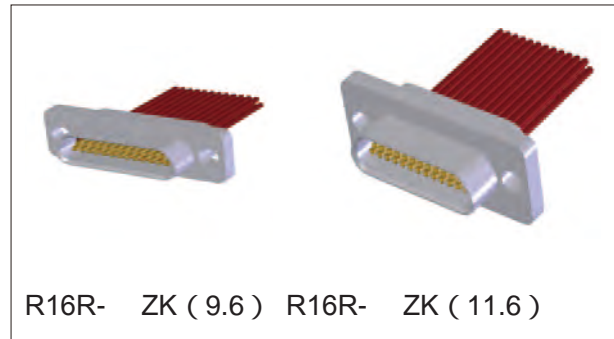
#### Stereogram



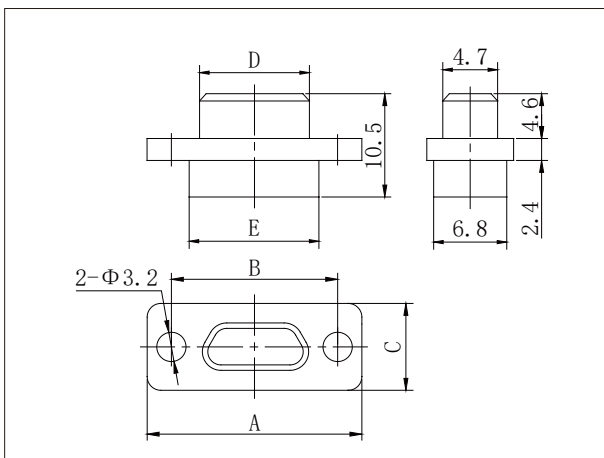
### Receptacle

R16R-9、15、21、25、31、37ZK ( 9.6 )  
R16R-9、15、21、25、31、37ZK ( 11.6 )

#### Stereogram

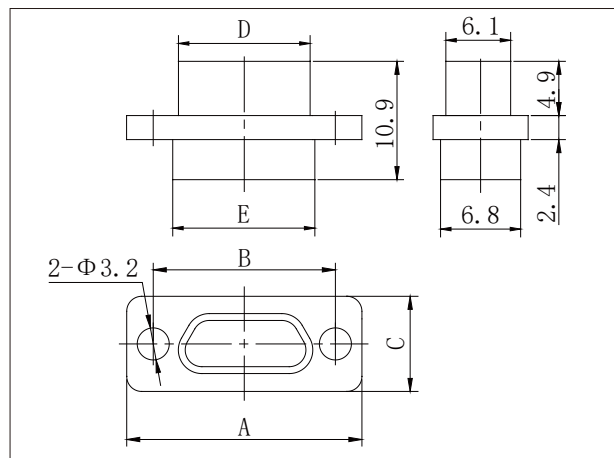


#### Outline dimension drawing



R16R-TJ ( 9.6 ) / R16R-TJ ( 11.6 )

#### Outline dimension drawing



R16R-ZK ( 9.6 ) / R16R-ZK ( 11.6 )

P/N	A	B	C		D		E
			TJ ( 9.6 ) ZK ( 9.6 )	TJ ( 11.6 ) ZK ( 11.6 )	TJ ( 9.6 ) ZK ( 9.6 )	TJ ( 11.6 ) ZK ( 11.6 )	
R16R-9TJ ( 9.6 ) / TJ ( 11.6 ) / ZK ( 9.6 ) / ZK ( 11.6 )	19.6	14.3	9.6	11.6	8.3	9.8	9.9
R16R-15TJ ( 9.6 ) / TJ ( 11.6 ) / ZK ( 9.6 ) / ZK ( 11.6 )	23.5	18.2	9.6	11.6	12.3	13.7	13.8
R16R-21TJ ( 9.6 ) / TJ ( 11.6 ) / ZK ( 9.6 ) / ZK ( 11.6 )	27.4	22	9.6	11.6	16	17.4	17.6
R16R-25TJ ( 9.6 ) / TJ ( 11.6 ) / ZK ( 9.6 ) / ZK ( 11.6 )	29.8	24.5	9.6	11.6	18.6	20	20.2
R16R-31TJ ( 9.6 ) / TJ ( 11.6 ) / ZK ( 9.6 ) / ZK ( 11.6 )	33.6	28.3	9.6	11.6	22.4	23.8	24
R16R-37TJ ( 9.6 ) / TJ ( 11.6 ) / ZK ( 9.6 ) / ZK ( 11.6 )	37.4	32.2	9.6	11.6	26.3	27.7	27.8

## R16R series micro rectangular electrical connector

### R16R Crimping extension type R16R-TJ-A & R16R-ZK-A

#### Plug

R16R-9、15、21、25、31、37、51、66、74、100TJ-A

#### Stereogram



R16R-9TJ-A



R16R-51TJ-A



R16R-100TJ-A

#### Receptacle

R16R-9、15、21、25、31、37、51、66、74、100ZK-A

#### Stereogram



R16R-9ZK-A

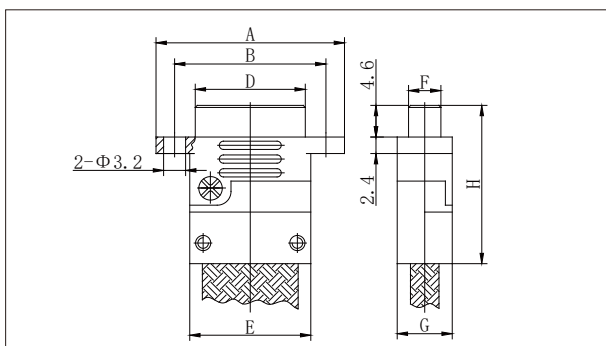


R16R-51ZK-A

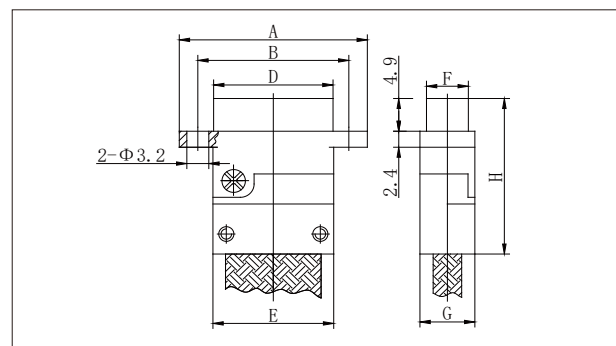


R16R-100ZK-A

#### Outline dimension drawing



R16R- TJ-A



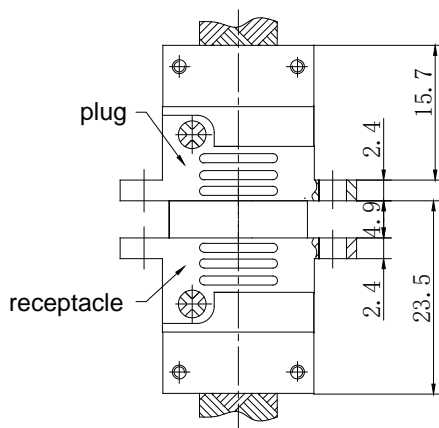
R16R- ZK-A

## R16R series micro rectangular electrical connector

### R16R Crimping extension type R16R-TJ-A & R16R-ZK-A

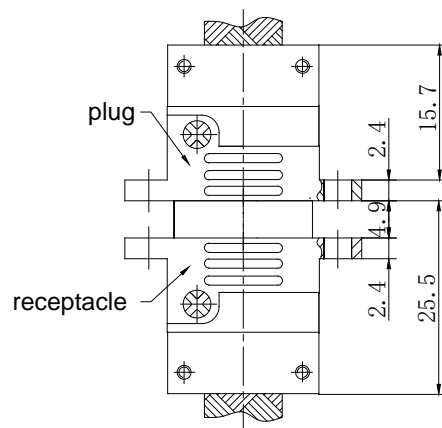
P/N	A	B	D		E	F		G	H	
			TJ-A	ZK-A		TJ-A	ZK-A		TJ-A	ZK-A
R16R-9TJ / ZK-A	19.6	14.3	8.3	9.8	9.9	4.7	6.1	8	23	23.5
R16R-15TJ / ZK-A	23.5	18.2	12.3	13.7	13.8	4.7	6.1	8	23	23.5
R16R-21TJ / ZK-A	27.4	22	16	17.4	17.6	4.7	6.1	8	23	23.5
R16R-25TJ / ZK-A	29.8	24.5	18.6	20	20.2	4.7	6.1	8	23	23.5
R16R-31TJ / ZK-A	33.6	28.3	22.4	23.8	24	4.7	6.1	8	23	23.5
R16R-37TJ / ZK-A	37.4	32.2	26.3	27.7	27.8	4.7	6.1	8	23	23.5
R16R-51TJ / ZK-A	36.4	30.86	25	26.5	26.6	5.8	7.2	9	23	23.5
R16R-66TJ / ZK-A	42.9	37.3	31.4	32.9	33	5.8	7.2	9	23	23.5
R16R-74TJ / ZK-A	38.8	33.5	27.5	29	29.1	6.8	8.3	11	25	25.5
R16R-100TJ / ZK-A	54.7	45.7	35	36.6	36.8	6.8	8.2	11	25	25.5

Outline drawing after docking



R16R-9~66 pin

Outline drawing after docking



R16R-74~100 pin





## R16R series micro rectangular electrical connector

### R16R Crimping extension type R16R-TJ-AD & R16R-ZK-AD

#### Plug

R16R-9, 15, 21, 25, 31, 37, 51, 66, 74, 100TJ-AD

#### Stereogram



R16R-9TJ-AD



R16R-51TJ-AD



R16R-100TJ-AD

#### Receptacle

R16R-9, 15, 21, 25, 31, 37, 51, 66, 74, 100ZK-AD

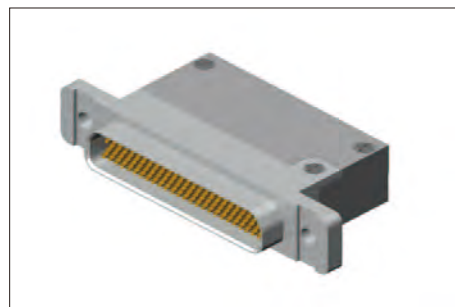
#### Stereogram



R16R-9ZK-AD

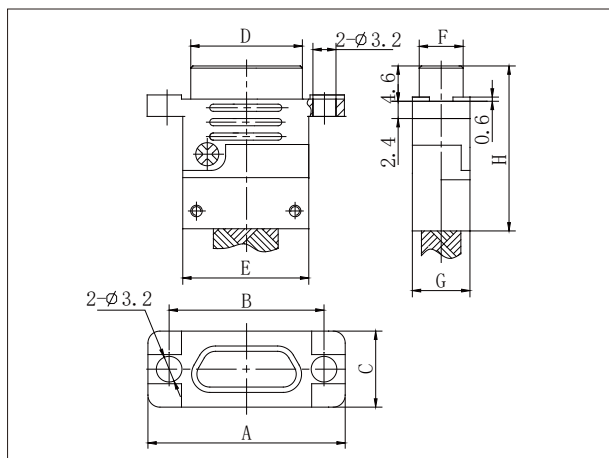


R16R-51ZK-AD Outline

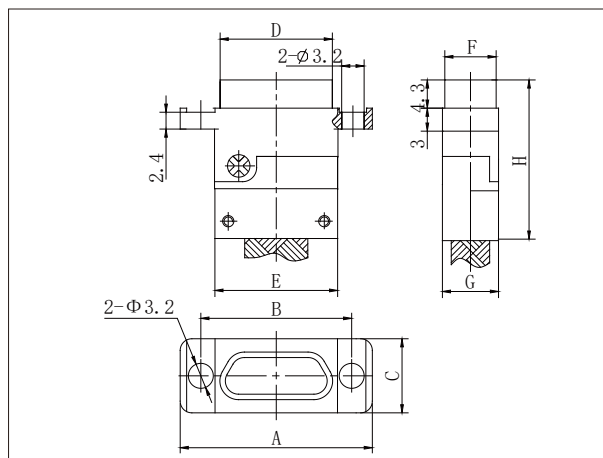


R16R-100ZK-AD

#### dimension drawing



R16R- TJ-AD



R16R- ZK-AD



## R16R series micro rectangular electrical connector

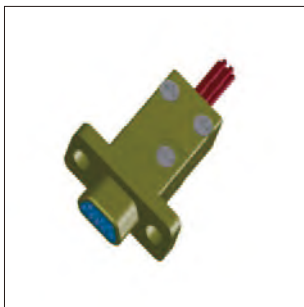
P/N	A	B	D		E	F		G	H	
			TJ-AD	ZK-AD		TJ-AD	ZK-AD		TJ-AD	ZK-AD
R16R-9TJ / ZK-AD	19.6	14.3	8.3	9.8	9.9	4.7	6.1	8	23	23.5
R16R-15TJ / ZK-AD	23.5	18.2	12.3	13.7	13.8	4.7	6.1	8	23	23.5
R16R-21TJ / ZK-AD	27.4	22	16	17.4	17.6	4.7	6.1	8	23	23.5
R16R-25TJ / ZK-AD	29.8	24.5	18.6	20	20.2	4.7	6.1	8	23	23.5
R16R-31TJ / ZK-AD	33.6	28.3	22.4	23.8	24	4.7	6.1	8	23	23.5
R16R-37TJ / ZK-AD	37.4	32.2	26.3	27.7	27.8	4.7	6.1	8	23	23.5
R16R-51TJ / ZK-AD	36.4	30.86	25	26.5	26.6	5.8	7.2	9	23	23.5
R16R-66TJ / ZK-AD	42.9	37.3	31.4	32.9	33	5.8	7.2	9	23	23.5
R16R-74TJ / ZK-AD	38.8	33.5	27.5	29	29.1	6.8	8.3	11	25	25.5
R16R-100TJ / ZK-AD	54.7	45.7	35	36.6	36.8	6.8	8.2	11	25	25.5

### R16R Crimping extension type R16R-TJ-GA & R16R-ZK-GA

#### Plug

R16R-9, 15, 21, 25, 31, 37, 51, 66, 74, 100TJ-GA

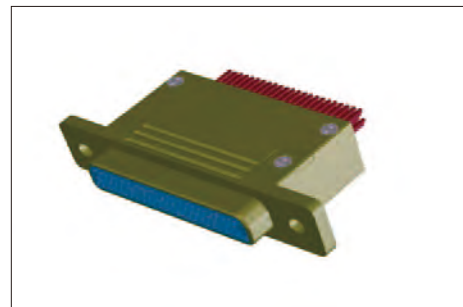
#### Stereogram



R16R-9TJ-GA



R16R-51TJ-GA



R16R-100TJ-GA

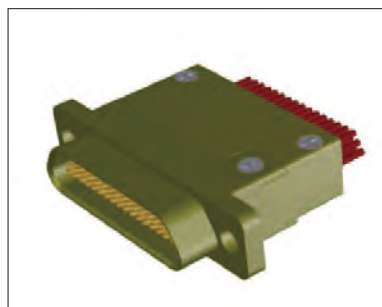
#### Receptacle

R16R-9, 15, 21, 25, 31, 37, 51, 66, 74, 100ZK-GA

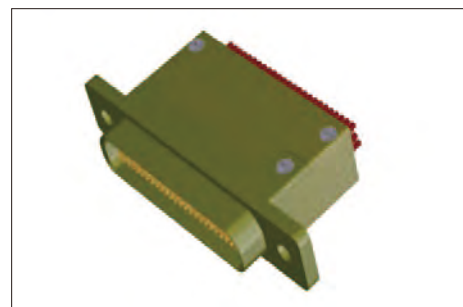
#### Stereogram



R16R-9ZK-GA



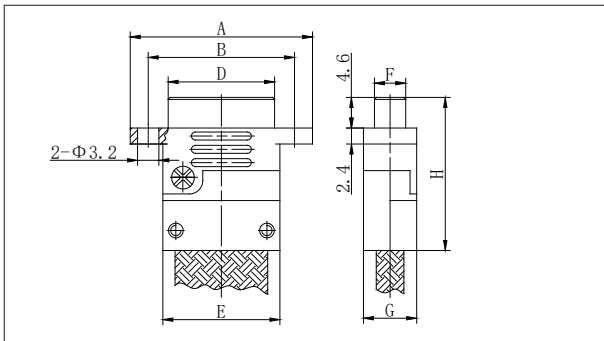
R16R-51ZK-GA



R16R-100ZK-GA

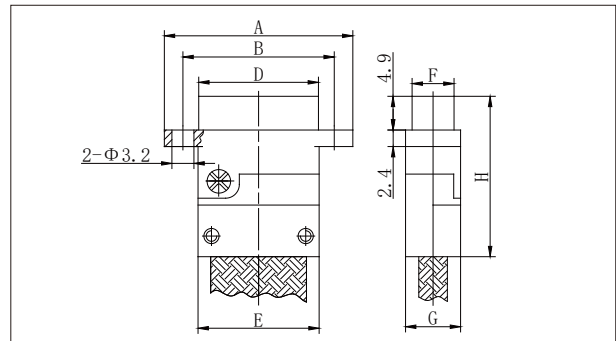
## R16R series micro rectangular electrical connector

### Outline dimension drawing



R16R-9~100TJ-GA

### Outline dimension drawing



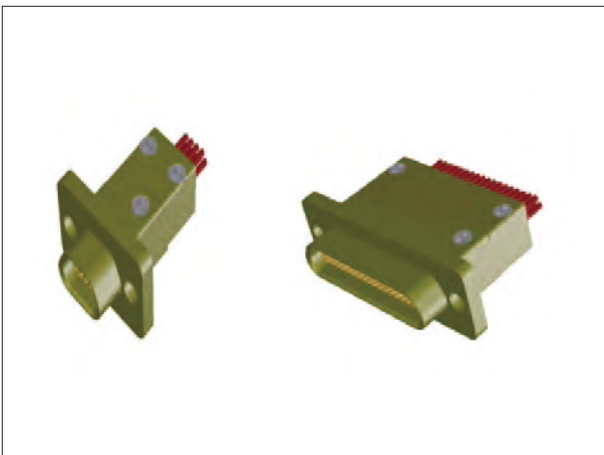
R16R-9~100ZK-GA

P/N	A	B	D		E	F		G	H	
			TJ-GA	ZK-GA		TJ-GA	ZK-GA		TJ-GA	ZK-GA
R16R-9TJ / ZK-GA	19.6	14.3	8.3	9.8	9.9	4.7	6.1	8	23	23.5
R16R-15TJ / ZK-GA	23.5	18.2	12.3	13.7	13.8	4.7	6.1	8	23	23.5
R16R-21TJ / ZK-GA	27.4	22	16	17.4	17.6	4.7	6.1	8	23	23.5
R16R-25TJ / ZK-GA	29.8	24.5	18.6	20	20.2	4.7	6.1	8	23	23.5
R16R-31TJ / ZK-GA	33.6	28.3	22.4	23.8	24	4.7	6.1	8	23	23.5
R16R-37TJ / ZK-GA	37.4	32.2	26.3	27.7	27.8	4.7	6.1	8	23	23.5
R16R-51TJ / ZK-GA	36.4	30.86	25	26.5	26.6	5.8	7.2	9	23	23.5
R16R-66TJ / ZK-GA	42.9	37.3	31.4	32.9	33	5.8	7.2	9	23	23.5
R16R-74TJ / ZK-GA	38.8	33.5	27.5	29	29.1	6.8	8.3	11	25	25.5
R16R-100TJ / ZK-GA	54.7	45.7	35	36.6	36.8	6.8	8.2	11	25	25.5

### R16R Crimping extension type\R16R-ZK-GA ( 11.6 ) Receptacle

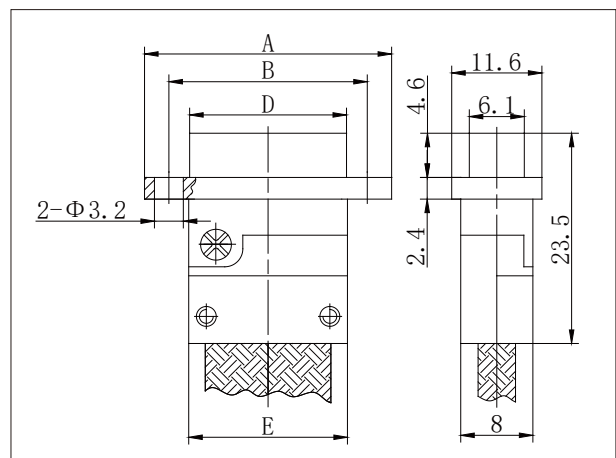
R16R-9、15、21、25、31、37ZK-GA ( 11.6 )

### Stereogram



R16R-9ZK-GA(11.6) R16R-37ZK-GA(11.6)

### Outline dimension drawing



R16R-9~37ZK-GA ( 11.6 )

## R16R series micro rectangular electrical connector

P/N	A	B	D	E
R16R-9ZK-GA (11.6)	19.6	14.3	9.8	9.9
R16R-15ZK-GA (11.6)	23.5	18.2	13.7	13.8
R16R-21ZK-GA (11.6)	27.4	22	17.4	17.6
R16R-25ZK-GA (11.6)	29.8	24.5	20	20.2
R16R-31ZK-GA (11.6)	33.6	28.3	23.8	24
R16R-37ZK-GA (11.6)	37.4	32.2	27.7	27.8

### R16R Crimping extension type\R16R-TJ-GQ & R16R-ZK-GQ

#### Plug

R16R-9, 15, 21, 25, 31, 37, 51, 66, 74, 100TJ-GQ



R16R- TJ-GQ

#### Receptacle

R16R-9, 15, 21, 25, 31, 37, 51, 66, 74, 100ZK-GQ



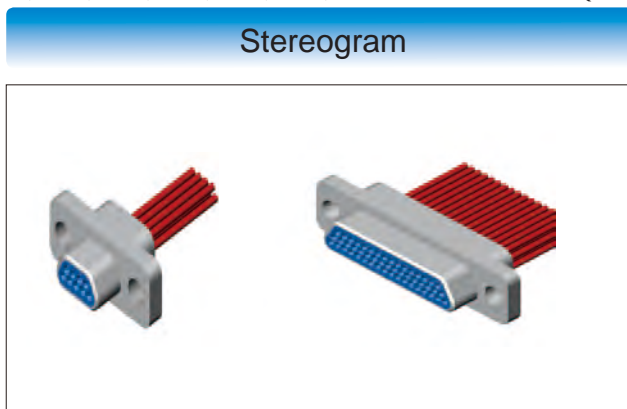
R16R- ZK-GQ

Note: The appearance of this product is different from that of the R16R-TJ / ZK-Q type product due to the different plating of the shell. Secondly, the flange interface gasket material is conductive rubber gasket (R16R-TJ / ZK-Q) is silicone rubber). The external dimensions of the product and the opening size of the mounting plate are the same as those of the R16R-TJ / ZK-Q type corresponding to the number of pins.

### R16R Crimping extension type\R16R-TJ ( 0.07 ) & R16R-ZK ( 0.07 )

#### Plug

R16R-9, 15, 21, 25, 31, 37, 51, 66, 74, 100TJ ( 0.07 )

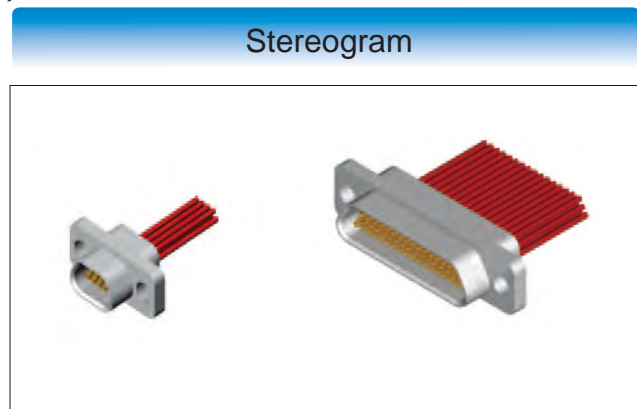


R16R-9TJ(0.07)

R16R-51TJ(0.07)

#### Receptacle

R16R-9, 15, 21, 25, 31, 37, 51, 66, 74, 100ZK ( 0.07 )



R16R-9ZK(0.07)

R16R-51ZK(0.07)

Note: The external dimensions of this product are the same as the R16R-TJ / ZK basic product, the only difference is that the contact parts of this product are crimped conductors with a core cross-sectional area of 0.07mm<sup>2</sup>

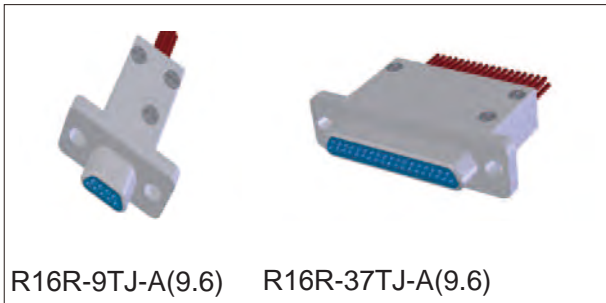
## R16R series micro rectangular electrical connector

### R16R Crimping extension type R16R-TJ-A ( 9.6 ) & R16R-ZK-A ( 9.6 )

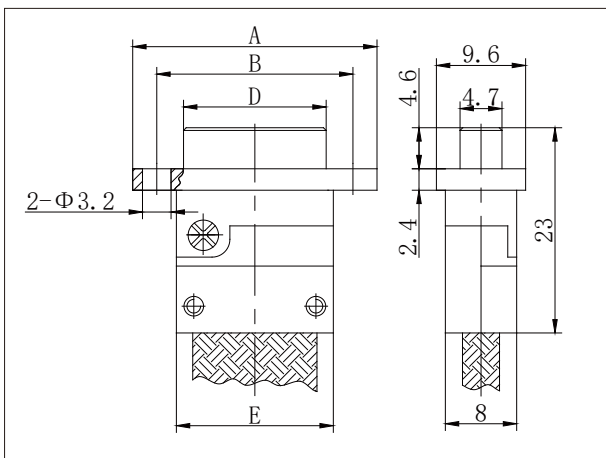
#### Plug

R16R-9, 15, 21, 25, 31, 37TJ-A (9.6)

#### Stereogram



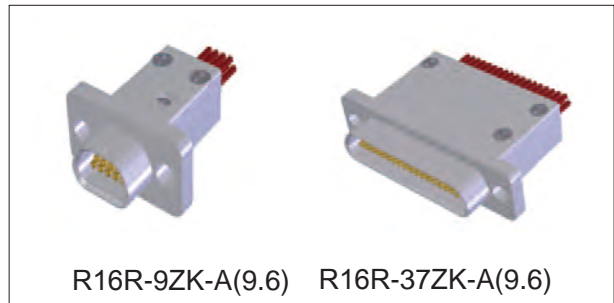
#### Outline dimension drawing



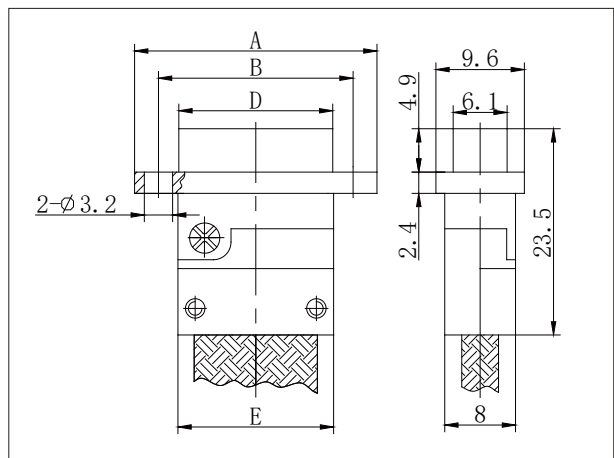
#### Receptacle

R16R-9, 15, 21, 25, 31, 37ZK-A (9.6)

#### Stereogram



#### Outline dimension drawing



P/N	A	B	D		E
			TJ-A (9.6)	ZK-A (9.6)	
R16R-9TJ / ZK-A (9.6)	19.6	14.3	8.3	9.8	9.9
R16R-15TJ / ZK-A (9.6)	23.5	18.2	12.3	13.7	13.8
R16R-21TJ / ZK-A (9.6)	27.4	22	16	17.4	17.6
R16R-25TJ / ZK-A (9.6)	29.8	24.5	18.6	20	20.2
R16R-31TJ / ZK-A (9.6)	33.6	28.3	22.4	23.8	24
R16R-37TJ / ZK-A (9.6)	37.4	32.2	26.3	27.7	27.8



## R16R series micro rectangular electrical connector

### R16R Crimping extension type\R16R-TJ-AQ8 & R16R-ZK-AQ8

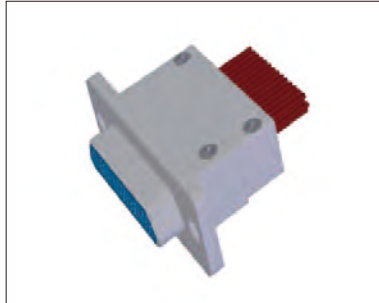
#### Plug

R16R-9、15、21、25、31、37、51、74、100TJ-AQ8

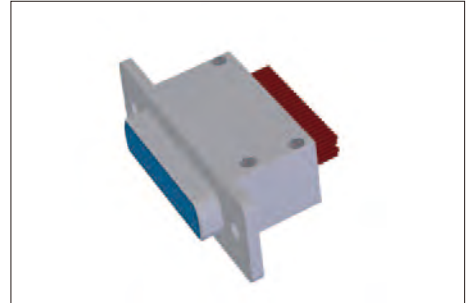
#### Stereogram



R16R-9TJ-AQ8



R16R-51TJ-AQ8

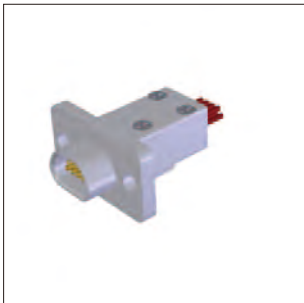


R16R-100TJ-AQ8

#### Receptacle

R16R-9、15、21、25、31、37、51、74、100ZK-AQ8

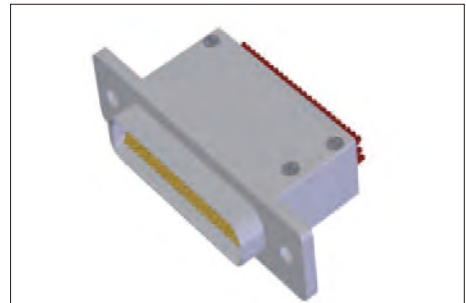
#### Stereogram



R16R-9ZK-AQ8

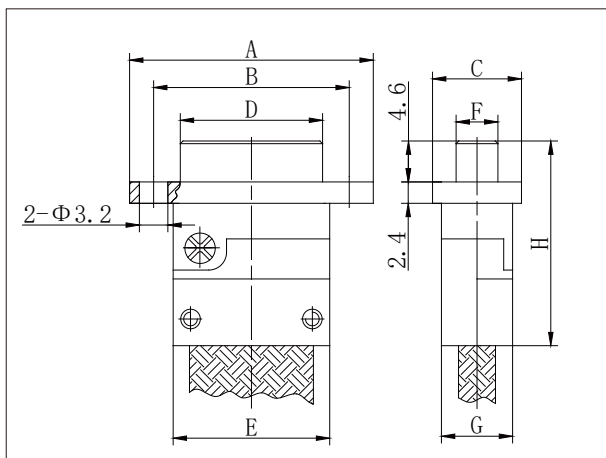


R16R-51ZK-AQ8



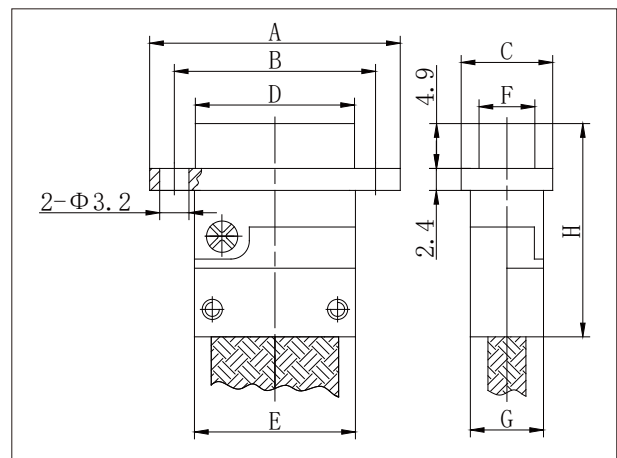
R16R-100ZK-AQ8

#### Outline dimension drawing



R16R-9~100TJ-AQ8

#### Outline dimension drawing



R16R-9~100ZK-AQ8

## R16R series micro rectangular electrical connector

### R16R Crimping extension type\R16R-TJ-AQ8 & R16R-ZK-AQ8

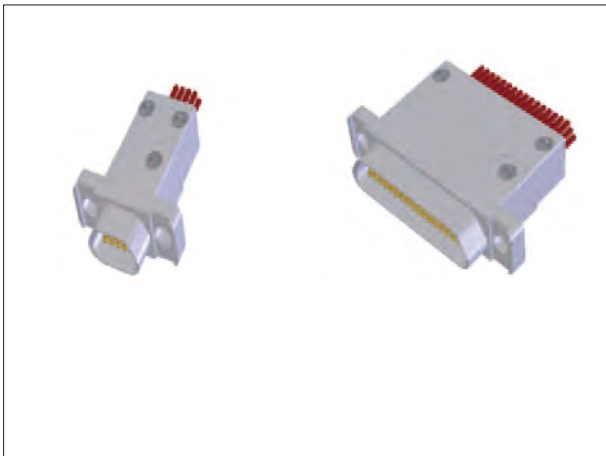
P/N	A	B	C	D		E	F		G	H	
				TJ-AQ8	ZK-AQ8		TJ-AQ8	ZK-AQ8		TJ-AQ8	ZK-AQ8
R16R-9TJ / ZK-AQ8	21.4	16.1	11.6	8.3	9.8	9.9	4.7	6.1	8	23	23.5
R16R-15TJ / ZK-AQ8	25.3	20	11.6	12.3	13.7	13.8	4.7	6.1	8	23	23.5
R16R-21TJ / ZK-AQ8	29.2	23.8	11.6	16	17.4	17.6	4.7	6.1	8	23	23.5
R16R-25TJ / ZK-AQ8	31.6	26.3	11.6	18.6	20	20.2	4.7	6.1	8	23	23.5
R16R-31TJ / ZK-AQ8	35.4	30.1	11.6	22.4	23.8	24	4.7	6.1	8	23	23.5
R16R-37TJ / ZK-AQ8	39.2	34	11.6	26.3	27.7	27.8	4.7	6.1	8	23	23.5
R16R-51TJ / ZK-AQ8	38.2	32.6	12.6	25	26.5	26.6	5.8	7.2	9	23	23.5
R16R-74TJ / ZK-AQ8	40.6	35.3	13.8	27.5	29	29.1	6.8	8.3	11	25	25.5
R16R-100TJ / ZK-AQ8	56.5	47.5	13.8	35	36.6	36.8	6.8	8.2	11	25	25.5

### R16R Crimping extension type\R16R-ZK-AD ( 11.6 )

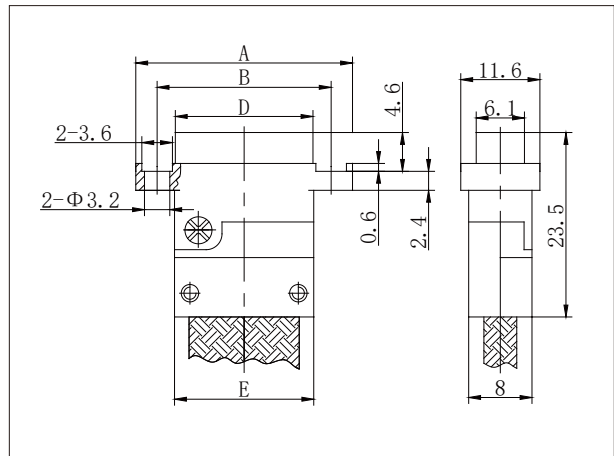
#### Receptacle

R16R-9、15、21、25、31、37ZK-AD ( 11.6 )

Stereogram



Stereogram



R16R-9ZK-AD(11.6) R16R-37ZK-AD(11.6)

R16R-9~37ZK-AD(11.6)

P/N	A	B	D	E
R16R-9ZK-AD ( 11.6 )	19.6	14.3	9.8	9.9
R16R-15ZK-AD ( 11.6 )	23.5	18.2	13.7	13.8
R16R-21ZK-AD ( 11.6 )	27.4	22	17.4	17.6
R16R-25 ZK-AD ( 11.6 )	29.8	24.5	20	20.2
R16R-31ZK-AD ( 11.6 )	33.6	28.3	23.8	24
R16R-37 ZK-AD ( 11.6 )	37.4	32.2	27.7	27.8



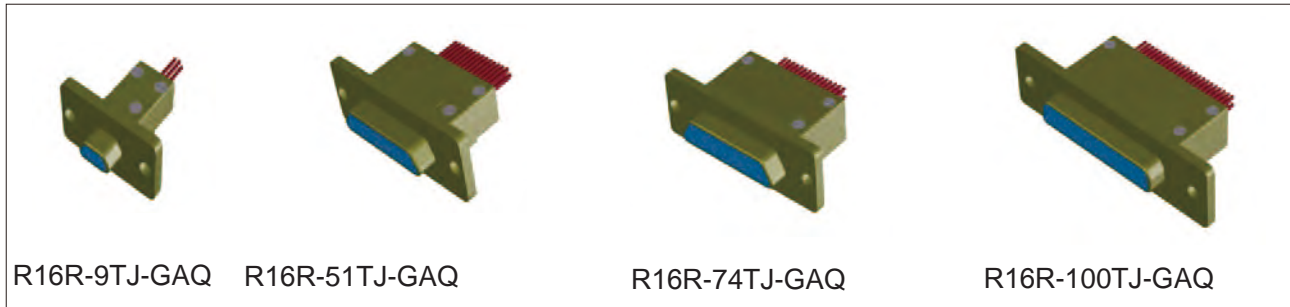
## R16R series micro rectangular electrical connector

### R16R Crimping extension type R16R-TJ-GAQ & R16R-ZK-GAQ

#### Plug

R16R-9, 15, 21, 25, 31, 37, 51, 66, 74, 100TJ-GAQ

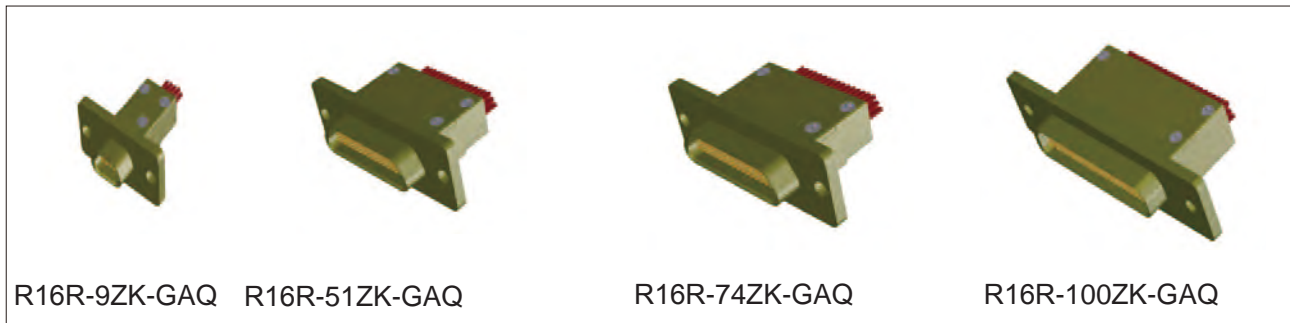
#### Stereogram



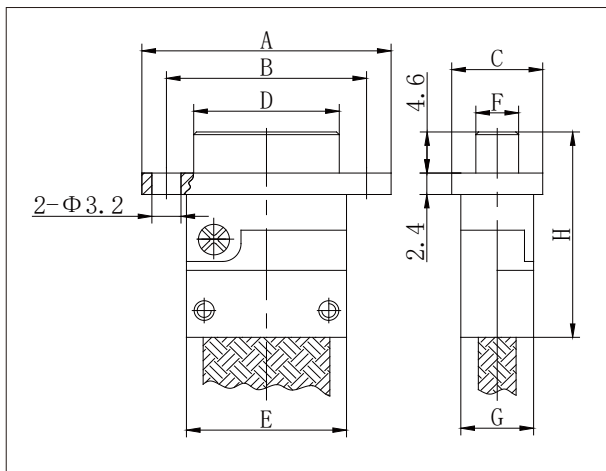
#### Receptacle

R16R-9, 15, 21, 25, 31, 37, 51, 66, 74, 100ZK-GAQ

#### Stereogram

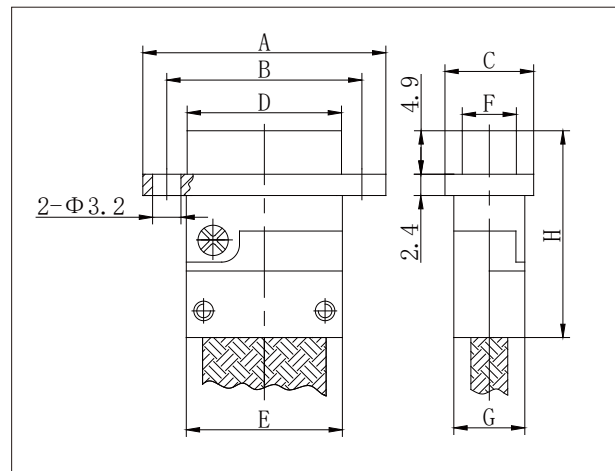


#### Outline dimension drawing



R16R-9~100TJ-GAQ

#### Outline dimension drawing



R16R-9~100ZK-GAQ



## R16R series micro rectangular electrical connector

P/N	A	B	C	D		E	F		G	H	
				TJ-GAQ	ZK-GAQ		TJ-GAQ	ZK-GAQ		TJ-GAQ	ZK-GAQ
R16R-9TJ / ZK-GAQ	26	21	14	8.3	9.8	9.9	4.7	6.1	8	23	23.5
R16R-15TJ / ZK-GAQ	29.9	24.9	14	12.3	13.7	13.8	4.7	6.1	8	23	23.5
R16R-21TJ / ZK-GAQ	33.8	28.7	14	16	17.4	17.6	4.7	6.1	8	23	23.5
R16R-25TJ / ZK-GAQ	36.2	31.2	14	18.6	20	20.2	4.7	6.1	8	23	23.5
R16R-31TJ / ZK-GAQ	40	35	14	22.4	23.8	24	4.7	6.1	8	23	23.5
R16R-37TJ / ZK-GAQ	43.8	38.9	14	26.3	27.7	27.8	4.7	6.1	8	23	23.5
R16R-51TJ / ZK-GAQ	42.6	37.6	15.2	25	26.5	26.6	5.8	7.2	9	23	23.5
R16R-66TJ / ZK-GAQ	49.3	44	15.2	31.4	32.9	33	5.8	7.2	9	23	23.5
R16R-74TJ / ZK-GAQ	45.2	40.2	16.1	27.5	29	29.1	6.8	8.3	11	25	25.5
R16R-100TJ / ZK-GAQ	61.1	52.4	16.1	35	36.6	36.8	6.8	8.2	11	25	25.5

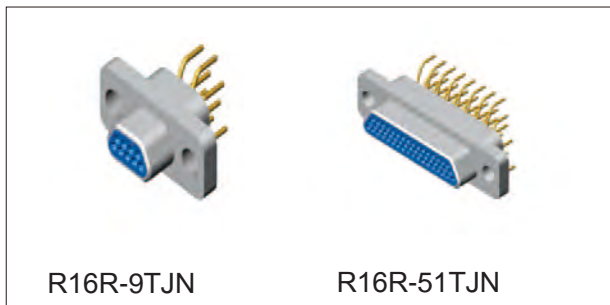
### R16R PCB Common type \ R16R Straight PCB N type

The connection between the end of the contact and the PCB is straight type, and the grid size is 2.54x2.54.

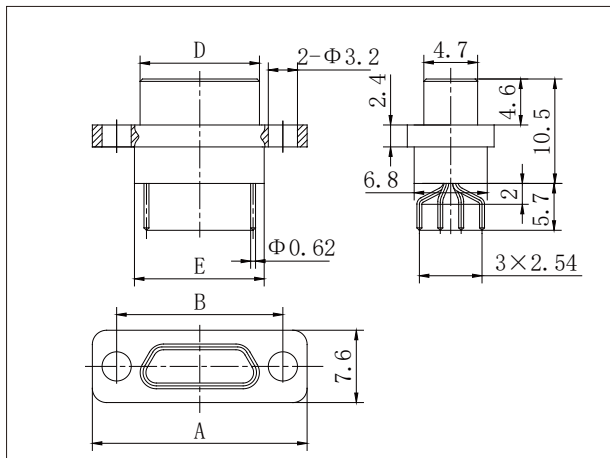
#### Plug

R16R-9, 15, 21, 25, 31, 37, 51, 66TJN

#### Stereogram



#### Outline dimension drawing

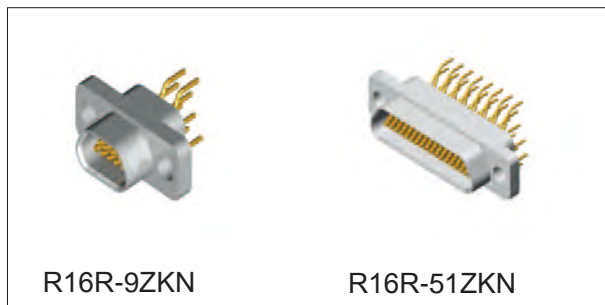


R16R-9~37TJN

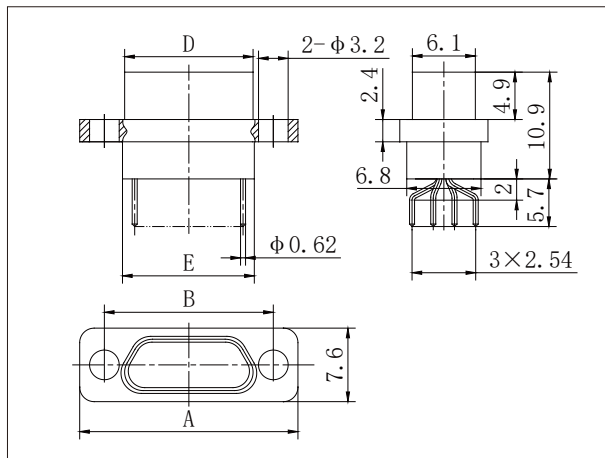
#### Receptacle

R16R-9, 15, 21, 25, 31, 37, 51, 66ZKN

#### Stereogram



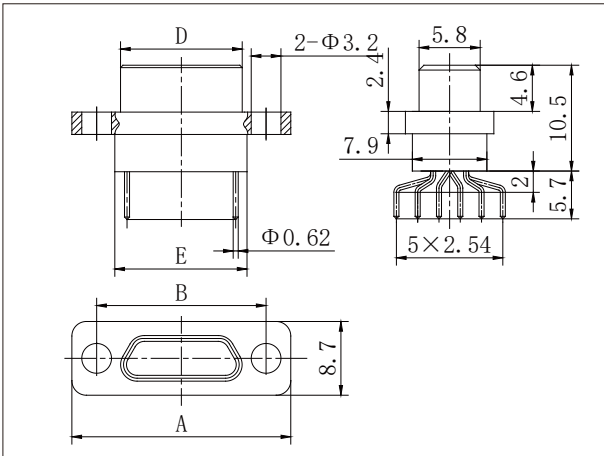
#### Outline dimension drawing



R16R-9~37ZKN

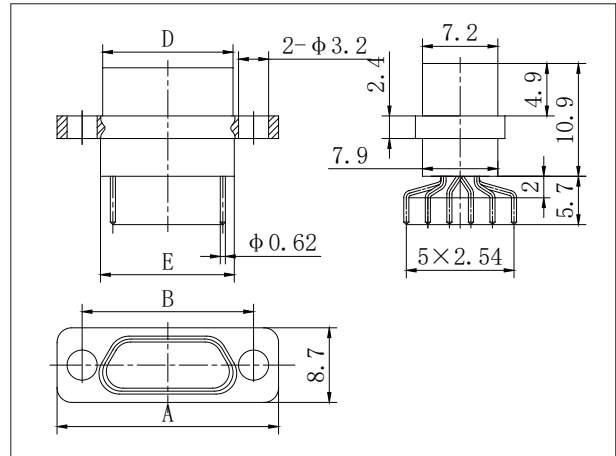
## R16R series micro rectangular electrical connector

### Outline dimension drawing



**R16R-51、66TJN**

### Outline dimension drawing



**R16R-51、66ZKN**

P/N	A	B	D		E
R16R-9TJN / ZKN	19.6	14.3	8.3 (TJN)	9.8 (ZKN)	9.9
R16R-15TJN / ZKN	23.5	18.2	12.3 (TJN)	13.7 (ZKN)	13.8
R16R-21TJN / ZKN	27.4	22	16 (TJN)	17.4 (ZKN)	17.6
R16R-25TJN / ZKN	29.8	24.5	18.6 (TJN)	20 (ZKN)	20.2
R16R-31TJN / ZKN	33.6	28.3	22.4 (TJN)	23.8 (ZKN)	24
R16R-37TJN / ZKN	37.4	32.2	26.3 (TJN)	27.7 (ZKN)	27.8
R16R-51TJN / ZKN	36.4	30.86	25 (TJN)	26.5 (ZKN)	26.6
R16R-66TJN / ZKN	42.9	37.3	31.4 (TJN)	32.9 (ZKN)	33

## R16R series micro rectangular electrical connector

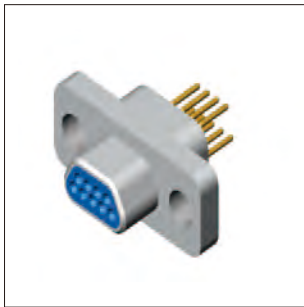
### R16R PCB Common type\R16R Straight PCB N-J type

The connection between the end of the contact and the PCB is straight type, and the grid size is 1.27 × 2.54

#### Plug

R16R-9、15、21、25、31、37、51、66、74、100TJN-J

#### Stereogram



R16R-9TJN-J



R16R-51TJN-J

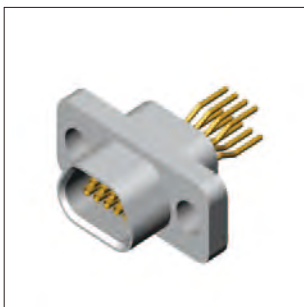


R16R-100TJN-J

#### Receptacle

R16R-9、15、21、25、31、37、51、66、74、100ZKN-J

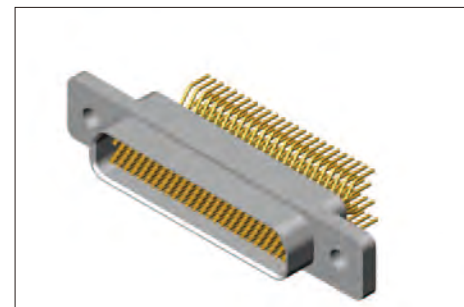
#### Stereogram



R16R-9ZKN-J

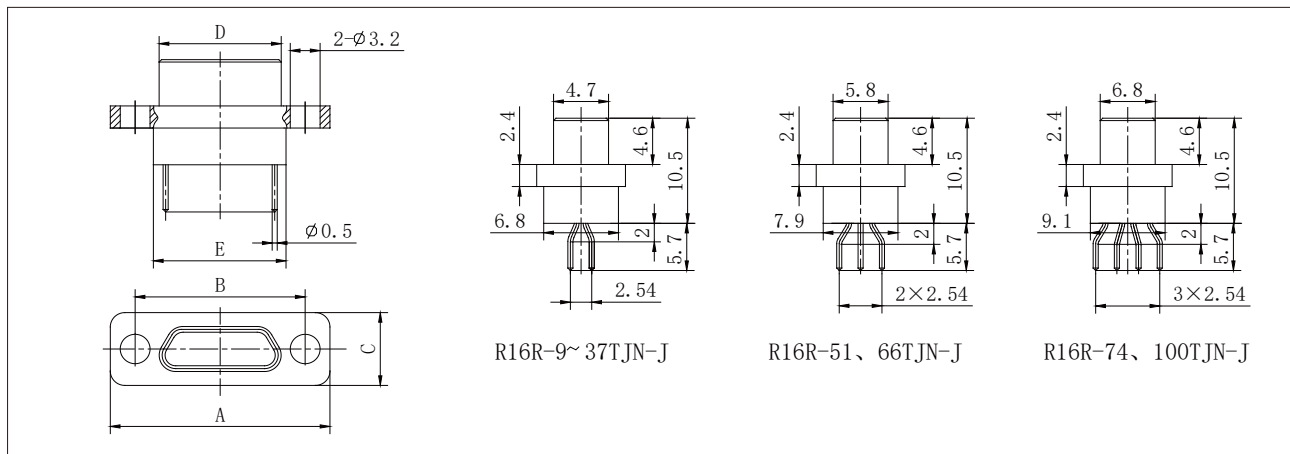


R16R-51ZKN-J



R16R-100ZKN-J

#### Outline dimension drawing

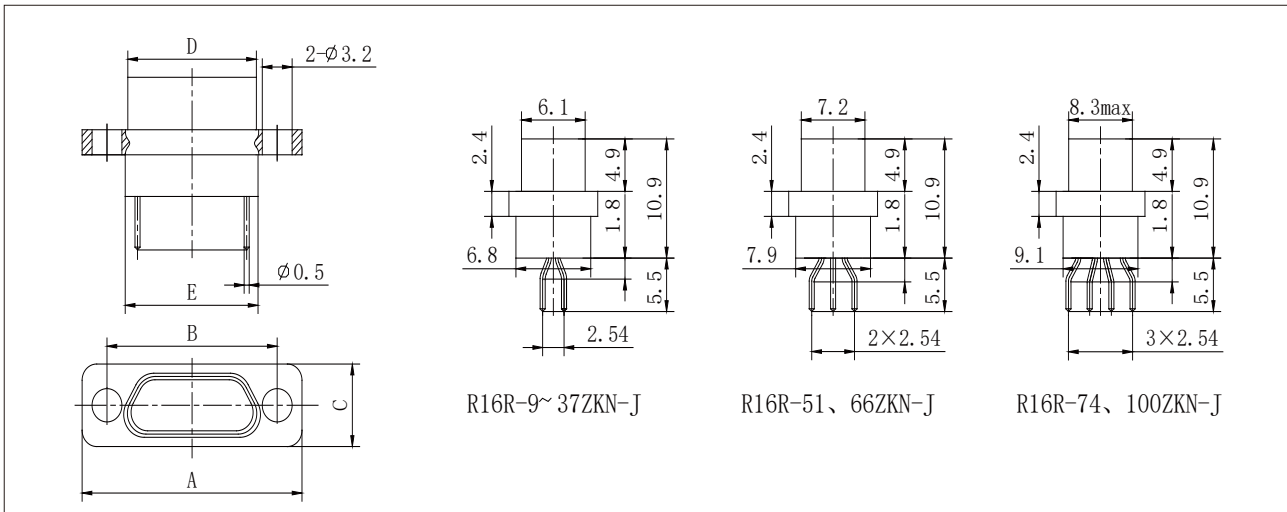


R16R-9~100TJN-J

Left view of each pin number(plug)

## R16R series micro rectangular electrical connector

### Outline dimension drawing



#### R16R-9 ~ 100ZKN-J

#### Left view of each pin number(receptacle)

P/N	A	B	C	D		E
R16R-9TJN/ZKN-J	19.6	14.3	7.6	8.3 (TJN-J)	9.8 (ZKN-J)	9.9
R16R-15TJN/ZKN-J	23.5	18.2	7.6	12.3 (TJN-J)	13.7 (ZKN-J)	13.8
R16R-21TJN/ZKN-J	27.4	22	7.6	16 (TJN-J)	17.4 (ZKN-J)	17.6
R16R-25TJN/ZKN-J	29.8	24.5	7.6	18.6 (TJN-J)	20 (ZKN-J)	20.2
R16R-31TJN/ZKN-J	33.6	28.3	7.6	22.4 (TJN-J)	23.8 (ZKN-J)	24
R16R-37TJN/ZKN-J	37.4	32.2	7.6	26.3 (TJN-J)	27.7 (ZKN-J)	27.8
R16R-51TJN/ZKN-J	36.4	30.86	8.7	25 (TJN-J)	26.5 (ZKN-J)	26.6
R16R-66TJN/ZKN-J	42.9	37.3	8.7	31.4 (TJN-J)	32.9 (ZKN-J)	33
R16R-74TJN/ZKN-J	38.8	33.5	9.7	27.5 (TJN-J)	29 (ZKN-J)	29.1
R16R-100TJN/ZKN-J	54.7	45.7	9.7	35 (TJN-J)	36.6 (ZKN-J)	36.6



## R16R series micro rectangular electrical connector

### R16R PCB Common type\J30J Right angle PCB W type

The connection between the end of the contact and the PCB is right angle type, and the grid size is 2.54x2.54.

#### Plug

R16R-9、15、21、25、31、37、51、66TJW

#### Receptacle

R16R-9、15、21、25、31、37、51、66ZKW

#### Stereogram



R16R-9TJW



R16R-51TJW

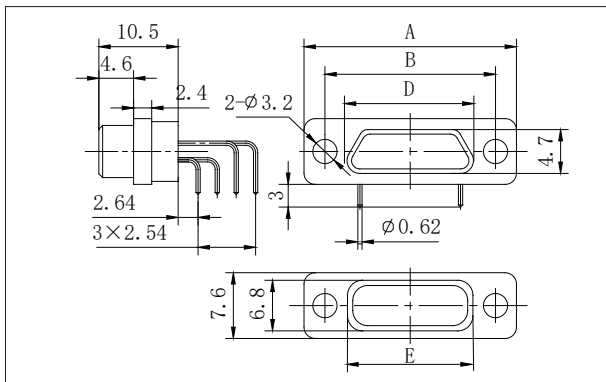


R16R-9ZKW



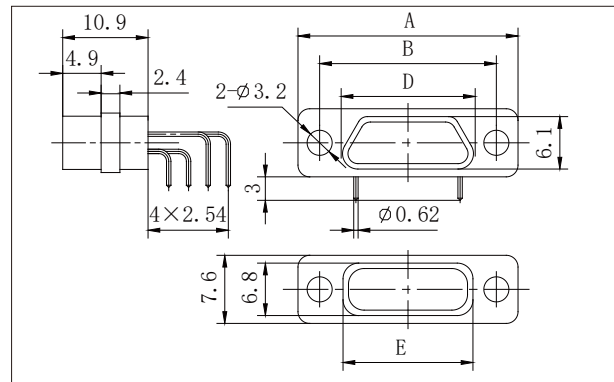
R16R-51ZKW

#### Outline dimension drawing

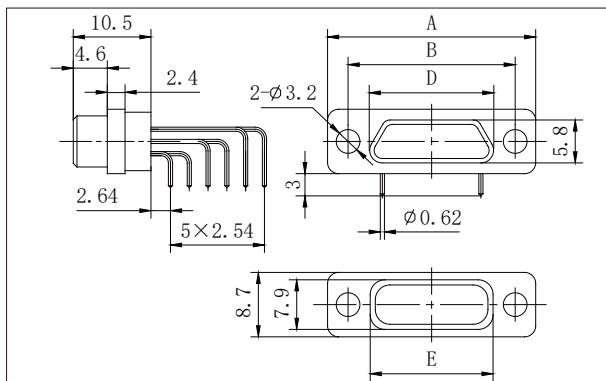


R16R-9~37TJW

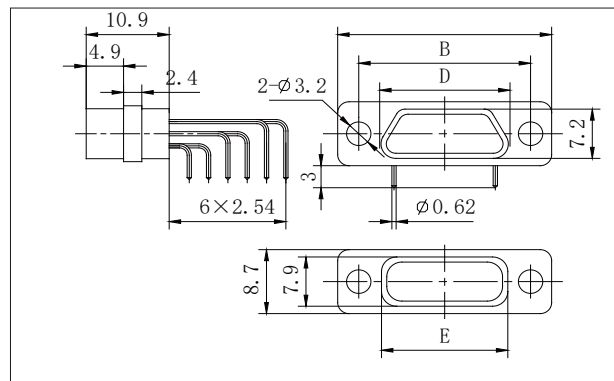
#### Outline dimension drawing



R16R-9~37ZKW A



R16R-51、66TJW



R16R-51、66ZKW

P/N	A	B	D		E
R16R-9TJW/ZKW	19.6	14.3	8.3 (TJW)	9.8 (ZKW)	9.9
R16R-15TJW/ZKW	23.5	18.2	12.3 (TJW)	13.7 (ZKW)	13.8
R16R-21TJW/ZKW	27.4	22	16 (TJW)	17.4 (ZKW)	17.6
R16R-25TJW/ZKW	29.8	24.5	18.6 (TJW)	20 (ZKW)	20.2
R16R-31TJW/ZKW	33.6	28.3	22.4 (TJW)	23.8 (ZKW)	24
R16R-37TJW/ZKW	37.4	32.2	26.3 (TJW)	27.7 (ZKW)	27.8
R16R-51TJW/ZKW	36.4	30.86	25 (TJW)	26.5 (ZKW)	26.6
R16R-66TJW/ZKW	42.9	37.3	31.4 (TJW)	32.9 (ZKW)	33



## R16R series micro rectangular electrical connector

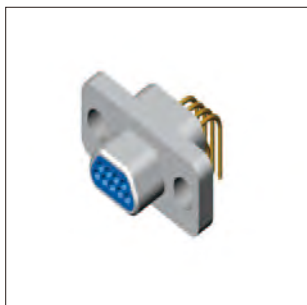
### R16R PCB Common type\R16R Right angle PCB W-J type

The connection between the end of the contact and the PCB is right angle type, and the grid size is 1.27 x 2.54 .

#### Plug

R16R-9、 15、 21、 25、 31、 37、 51、 66、 74、 100TJW-J

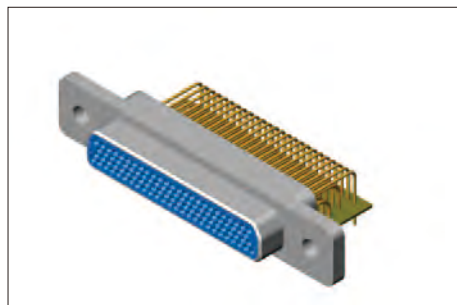
### Stereogram



R16R-9TJW-J



R16R-51TJW-J



R16R-100TJW-J

#### Receptacle

R16R-9、 15、 21、 25、 31、 37、 51、 66、 74、 100ZKW-J

### Stereogram



R16R-9ZKW-J

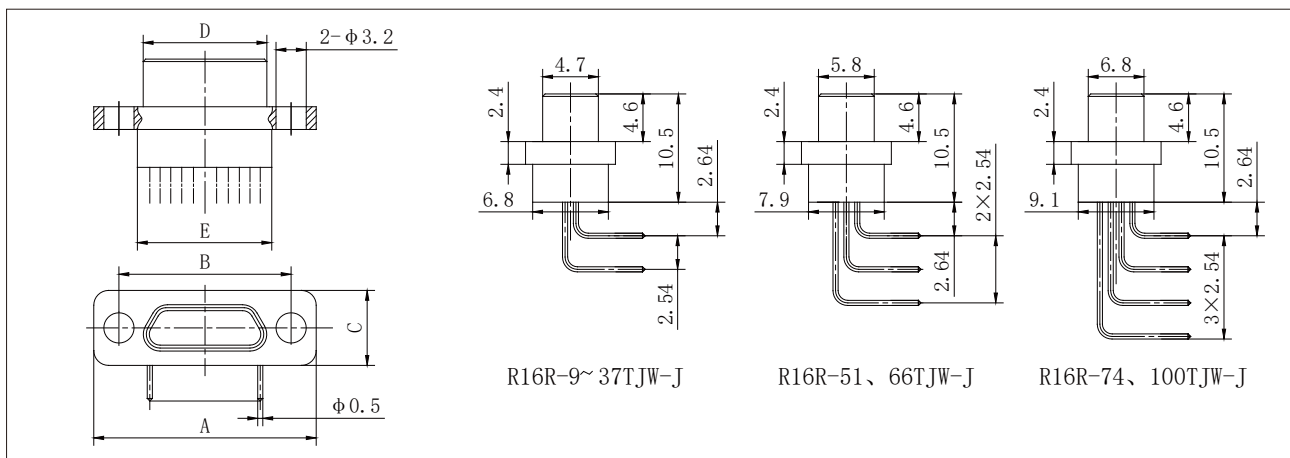


R16R-51ZKW-J



R16R-100ZKW-J

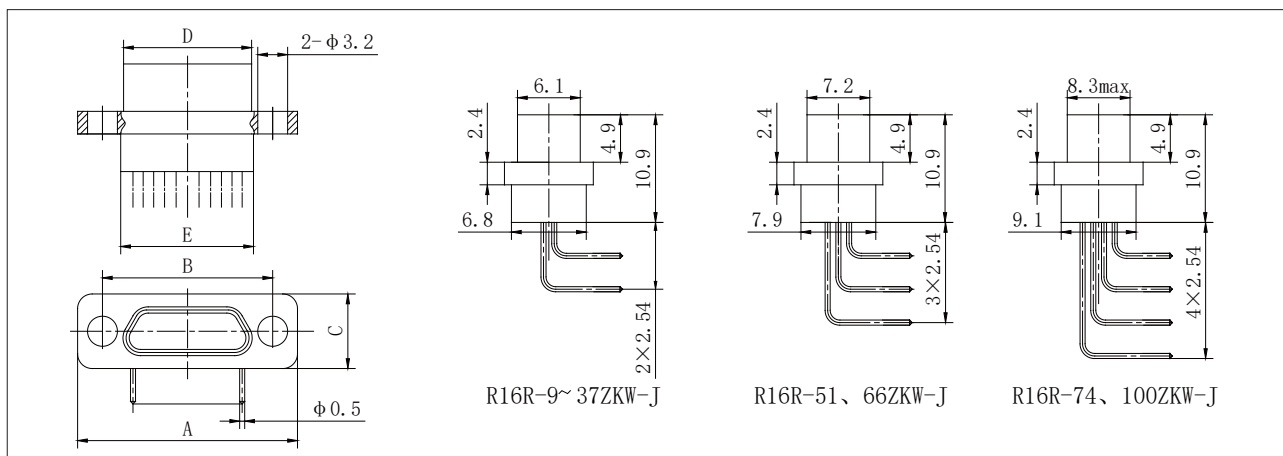
### Outline dimension drawing



R16R-9~100TJW-J

Left view of each pin number (plug)

## R16R series micro rectangular electrical connector



**R16R-9~100ZKW-J**

**Left view of each pin number(receptacle)**

P/N	A	B	C	D		E
R16R-9TJW/ZKW-J	19.6	14.3	7.6	8.3 (TJW-J)	9.8 (ZKW-J)	9.9
R16R-15TJW/ZKW-J	23.5	18.2	7.6	12.3 (TJW-J)	13.7 (ZKW-J)	13.8
R16R-21TJW/ZKW-J	27.4	22	7.6	16 (TJW-J)	17.4 (ZKW-J)	17.6
R16R-25TJW/ZKW-J	29.8	24.5	7.6	18.6 (TJW-J)	20 (ZKW-J)	20.2
R16R-31TJW/ZKW-J	33.6	28.3	7.6	22.4 (TJW-J)	23.8 (ZKW-J)	24
R16R-37TJW/ZKW-J	37.4	32.2	7.6	26.3 (TJW-J)	27.7 (ZKW-J)	27.8
R16R-51TJW/ZKW-J	36.4	30.86	8.7	25 (TJW-J)	26.5 (ZKW-J)	26.6
R16R-66TJW/ZKW-J	42.9	37.3	8.7	31.4 (TJW-J)	32.9 (ZKW-J)	33
R16R-74TJW/ZKW-J	38.8	33.5	9.7	27.5 (TJW-J)	29 (ZKW-J)	29.1
R16R-100TJW/ZKW-J	54.7	45.7	9.7	35 (TJW-J)	36.6 (ZKW-J)	36.6

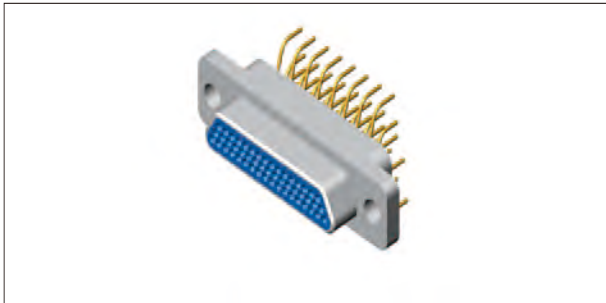
## R16R series micro rectangular electrical connector

### R16R Straight PCB extension type\R16R-TJN4 &R16R-TJN8

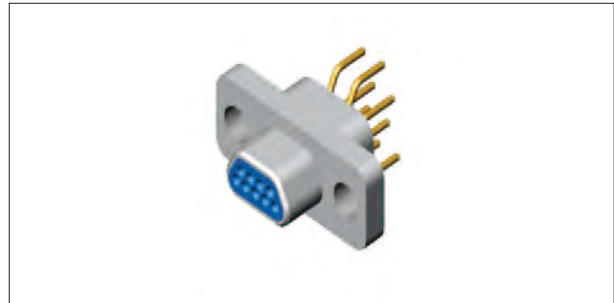
**Plug** R16R-9、15、21、25、31、37、51TJN4 The length of the pin at the end of the product is increased to 7.2 on the basis of R16R-TJN.

**Plug** R16R-9、15、21、25、31、37TJN8 The length of the pin at the end of the product is increased to 8 on the basis of R16R-TJN.

### Stereogram

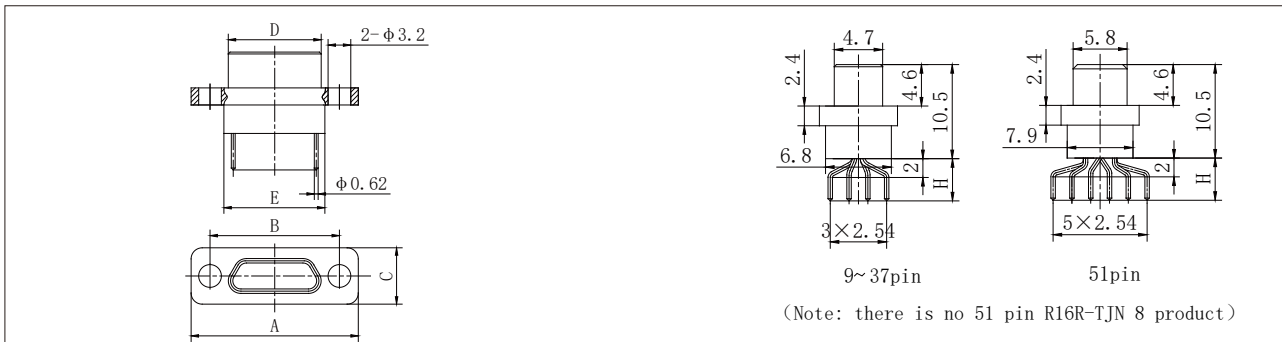


R16R-51TJN4



R16R-9TJN8

### Outline dimension drawing



R16R-9~51TJN4/R16R-9~37TJN8

Left view of each pin number(plug)

Plug	A	B	C	D	E	H	
						TJN4	TJN8
R16R-9TJN 4/ TJN8	19.6	14.3	7.6	8.3	9.9	7.2	8
R16R-15TJN 4/ TJN8	23.5	18.2	7.6	12.3	13.8	7.2	8
R16R-21TJN 4/ TJN8	27.4	22	7.6	16	17.6	7.2	8
R16R-25TJN 4/ TJN8	29.8	24.5	7.6	18.6	20.2	7.2	8
R16R-31TJN4 / TJN8	33.6	28.3	7.6	22.4	24	7.2	8
R16R-37TJN 4/ TJN8	37.4	32.2	7.6	26.3	27.8	7.2	8
R16R-51TJN 4	36.4	30.86	8.7	25	26.6	7.2	



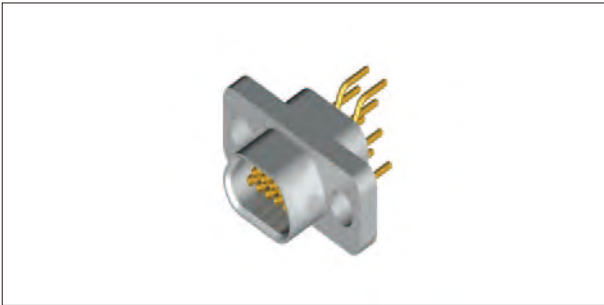
## R16R series micro rectangular electrical connector

### R16R PCB extension type/R16R-ZKN3 & R16R-ZKN4

Receptacle R16R-9、15、21、25、31、37、51ZKN3 The length of the pin at the end of the product is increased to 6.7 on the basis of R16R-ZKN .

Receptacle R16R-9、15、21、25、31、37、51ZKN4 The length of the pin at the end of the product is increased to 7.2 on the basis of R16R-ZKN .

### Stereogram

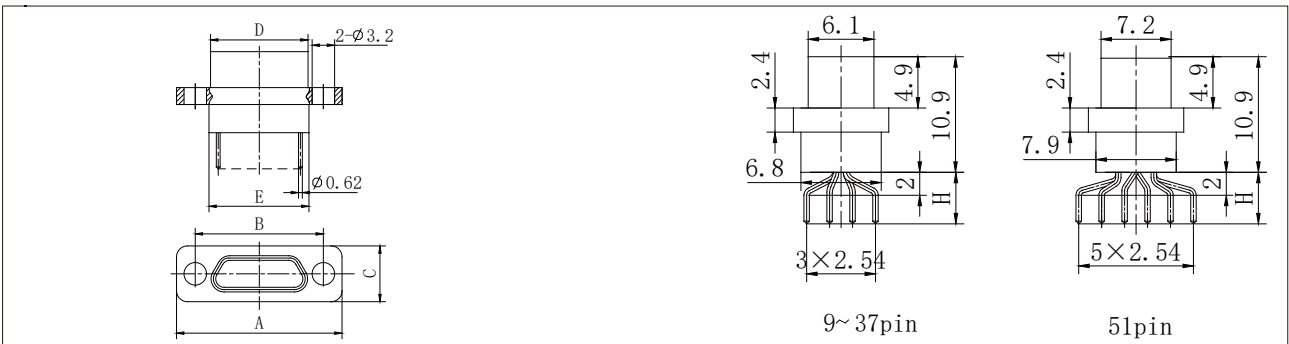


R16R-9ZKN3/J30J-9ZKN4



R16R-51ZKN3/J30J-51ZKN4

### Outline dimension drawing



R16R-9~51ZKN3/R16R-9~51ZKN4

Left view of each pin number(receptacle)

P/N	A	B	C	D	E	H	
R16R-9ZKN3 / ZKN4	19.6	14.3	7.6	8.3	9.9	ZKN3	ZKN4
R16R-15ZKN3 / ZKN4	23.5	18.2	7.6	12.3	13.8	6.7	7.2
R16R-21ZKN3 / ZKN4	27.4	22	7.6	16	17.6	6.7	7.2
R16R-25ZKN3 / ZKN4	29.8	24.5	7.6	18.6	20.2	6.7	7.2
R16R-31ZKN3 / ZKN4	33.6	28.3	7.6	22.4	24	6.7	7.2
R16R-37ZKN3 / ZKN4	37.4	32.2	7.6	26.3	27.8	6.7	7.2
R16R-51ZKN3 / ZKN4	36.4	30.86	8.7	25	26.6	6.7	7.2



## R16R series micro rectangular electrical connector

### R16R PCB extension type\R16R-ZKN4-J

The length of the pin at the end of the product is increased to 7.2 on the basis of R16R-ZKN-J

Receptacle

R16R-9、15、21、25、31、37、51、66、74、100ZKN4-J

### Stereogram



R16R-9ZKN4-J

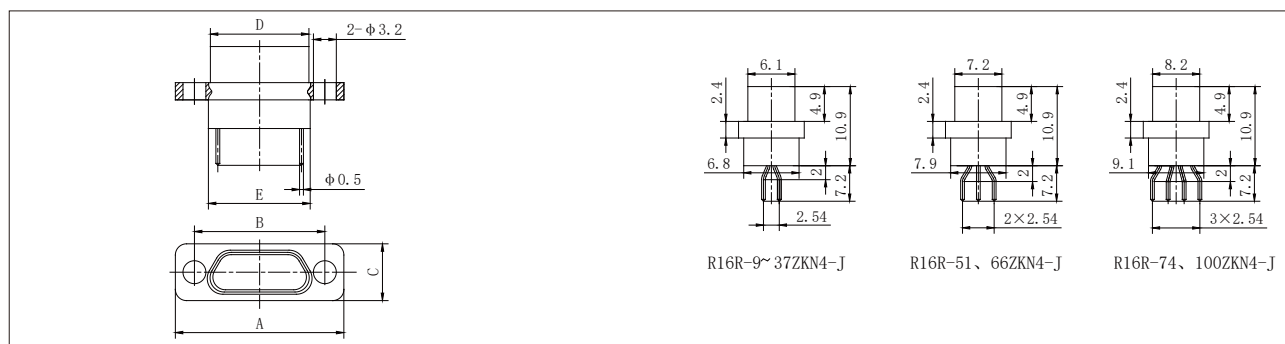


R16R-51ZKN4-J



R16R-100ZKN4-J

### Outline dimension drawing



R16R-9~100ZKN4-J

Left view of each pin number(receptacle)

P/N	A	B	C	D	E
R16R-9ZKN4-J	19.6	14.3	7.6	9.8	9.9
R16R-15ZKN4-J	23.5	18.2	7.6	13.7	13.8
R16R-21ZKN4-J	27.4	22	7.6	17.4	17.6
R16R-25ZKN4-J	29.8	24.5	7.6	20	20.2
R16R-31ZKN4-J	33.6	28.3	7.6	23.8	24
R16R-37ZKN4-J	37.4	32.2	7.6	27.7	27.8
R16R-51ZKN4-J	36.4	30.86	8.7	26.5	26.6
R16R-66ZKN4-J	42.9	37.3	8.7	32.9	33
R16R-74ZKN4-J	38.8	33.5	9.7	29	29.1
R16R-100ZKN4-J	54.7	45.7	9.7	36.6	36.6

## R16R series micro rectangular electrical connector

### R16R PCB extension type\R16R-TJW-Q8 & R16R-ZKW-Q8

The connection between the end of the contact and the PCB is right angle type, and the grid size is 2.54 × 2.54.

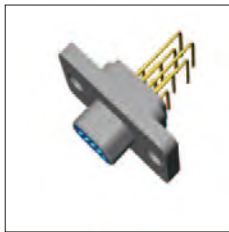
#### Plug

R16R-9、15、21、25、31、37、51TJW-Q8

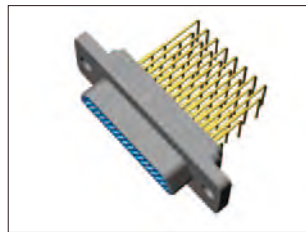
#### Receptacle

R16R-9、15、21、25、31、37、51ZKW-Q8

#### Stereogram



R16R-9TJW-Q8



R16R-51TJW-Q8

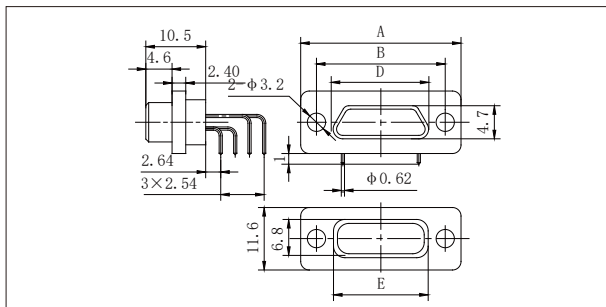


R16R-9ZKW-Q8

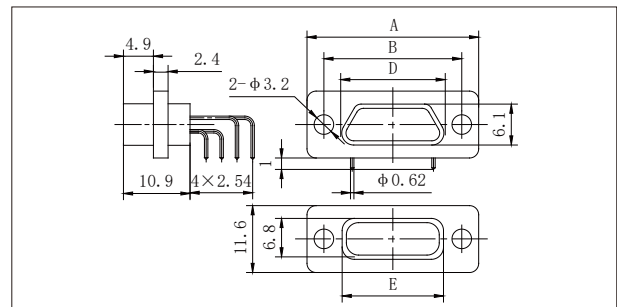


R16R-51ZKW-Q8

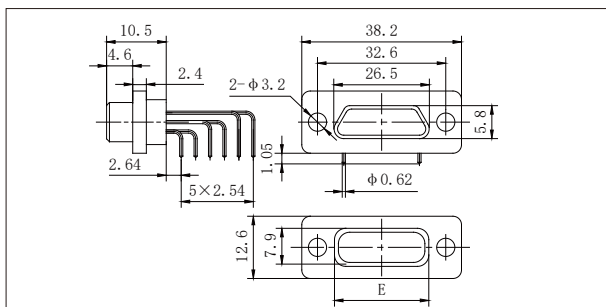
#### Outline dimension drawing



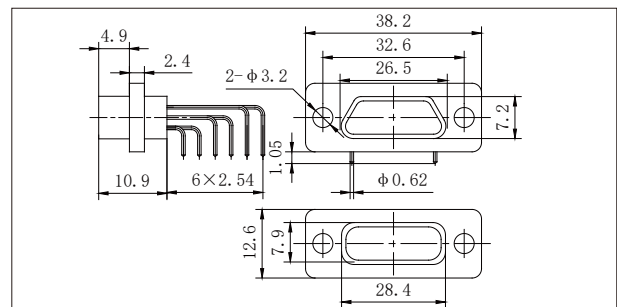
R16R-9~37TJW-Q8



R16R-9~37ZKW-Q8



R16R-51TJW-Q8



R16R-51ZKW-Q8

P/N	A	B	D		E
R16R-9TJW / ZKW-Q8	21.4	16.1	8.3 (TJW-Q8)	9.8 (ZKW-Q8)	11.7
R16R-15TJW / ZKW-Q8	25.3	20	12.3 (TJW-Q8)	13.7 (ZKW-Q8)	15.6
R16R-21TJW / ZKW-Q8	29.2	23.8	16 (TJW-Q8)	17.4 (ZKW-Q8)	19.4
R16R-25TJW / ZKW-Q8	31.6	26.3	18.6 (TJW-Q8)	20 (ZKW-Q8)	22
R16R-31TJW / ZKW-Q8	35.4	30.1	22.4 (TJW-Q8)	23.8 (ZKW-Q8)	25.8
R16R-37TJW / ZKW-Q8	39.2	34	26.3 (TJW-Q8)	27.7 (ZKW-Q8)	29.6
R16R-51TJW / ZKW-Q8	See "Outline dimension drawing"				

## R16R series micro rectangular electrical connector

### R16R Solder Common type\R16R-TJS & R16R-ZKS

The basic type soldering products with a pitch of 1.27 × 1.1 (column × row) at the end.

#### Plug

R16R-9、15、21、25、31、37、51、66、74、100TJS

#### Stereogram



R16R-9TJS



R16R-51TJS



R16R-100TJS

#### Receptacle

R16R-9、15、21、25、31、37、51、66、74、100ZKS

#### Stereogram



R16R-9ZKS



R16R-51ZKS

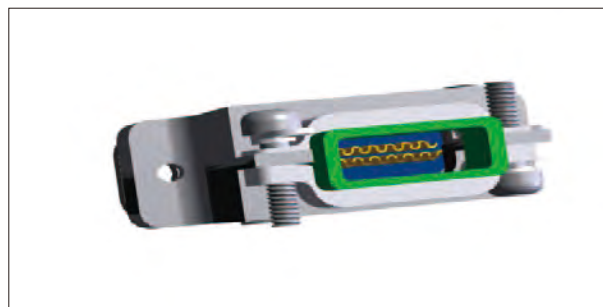


R16R-100ZKS

Note: In order to facilitate the view, the A3 type cable clamp part of the plug (receptacle) assembly is not drawn in the above perspective view. In fact, all R16R-TJS / ZKS welding plug (receptacle) fittings are equipped with A3 type wire clamping fittings by default, so the complete three-dimensional diagram should be as follows (taking R16R-25ZKS as an example, the remaining models of plugs / sockets All the clips of the fittings are installed on the plug fittings or receptacle fittings in this way).



Stereogram of the butt end



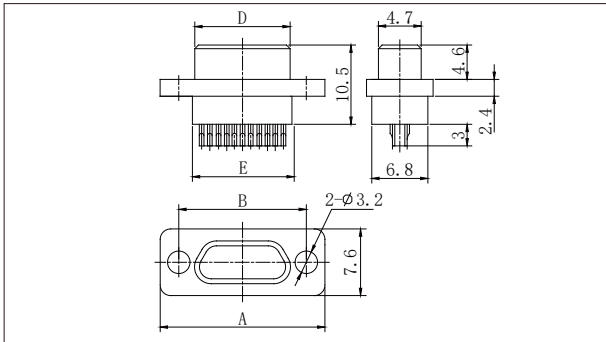
stereogram of the end of the clamp



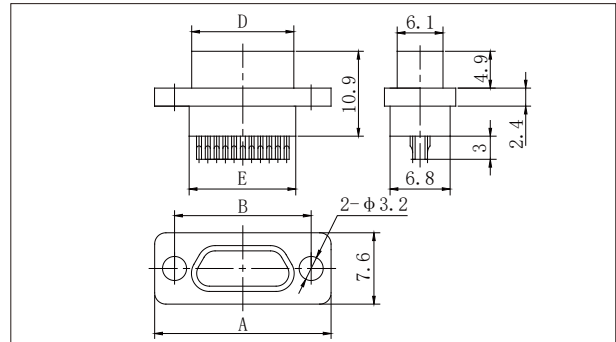
## R16R series micro rectangular electrical connector

### R16R Solder Common type\R16R-TJS & R16R-ZKS

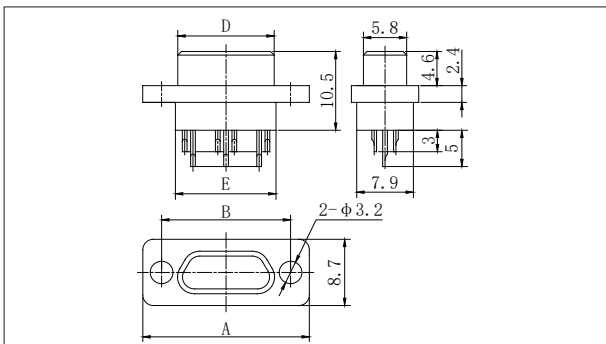
#### Outline dimension drawing



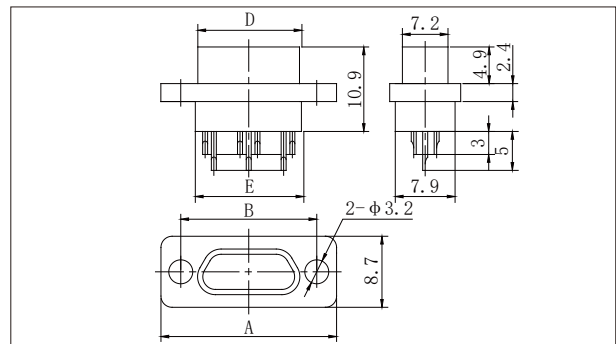
R16R-9~37TJS



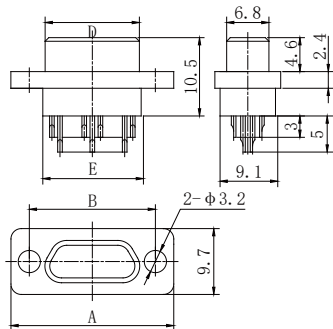
R16R-9~37ZKS



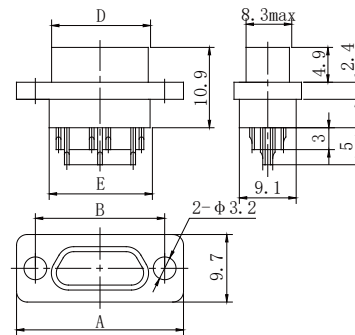
R16R-51, 66TJS



R16R-51, 66ZKS



R16R-74, 100TJS

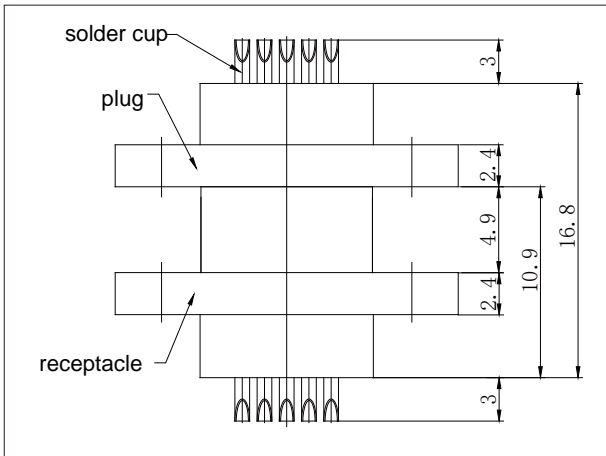


R16R-74, 100ZKS

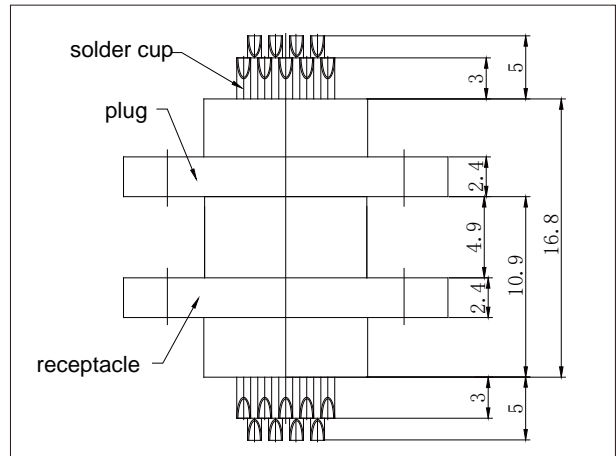
P/N	A	B	D		E
R16R-9TJS/ZKS	19.6	14.3	8.3 (TJS)	9.8 (ZKS)	9.9
R16R-15TJS/ZKS	23.5	18.2	12.3 (TJS)	13.7 (ZKS)	13.8
R16R-21TJS/ZKS	27.4	22	16 (TJS)	17.4 (ZKS)	17.6
R16R-25TJS/ZKS	29.8	24.5	18.6 (TJS)	20 (ZKS)	20.2
R16R-31TJS/ZKS	33.6	28.3	22.4 (TJS)	23.8 (ZKS)	24
R16R-37TJS/ZKS	37.4	32.2	26.3 (TJS)	27.7 (ZKS)	27.8
R16R-51TJS/ZKS	36.4	30.86	25 (TJS)	26.5 (ZKS)	26.6
R16R-66TJS/ZKS	42.9	37.3	31.4 (TJS)	32.9 (ZKS)	33
R16R-74TJS/ZKS	38.8	33.5	27.5 (TJS)	29 (ZKS)	29.1
R16R-100TJS/ZKS	54.7	45.7	35 (TJS)	36.6 (ZKS)	36.6

## R16R series micro rectangular electrical connector

Outline drawing after docking ( Dimension of A3 wire clamps is not included )

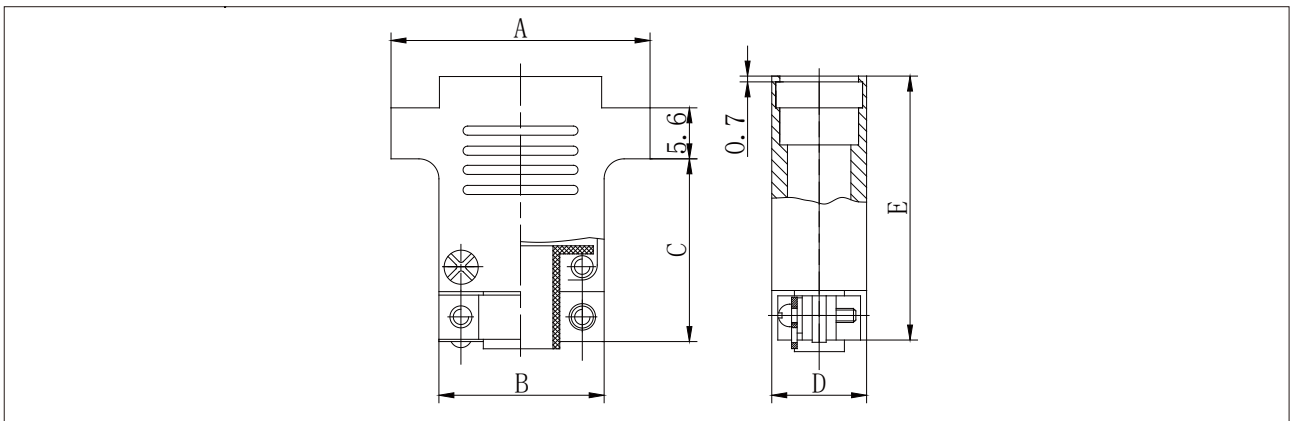


R16R-9~37 pin



R16R-51~100 pin

### Dimensions of A3 wire clamps



Contact Number	A	B	C	D	E	Contact Number	A	B	C	D	E
9 Pin	19.6	9.9	18.2	10.4	27	37 Pin	37.4	27.8	19.2	10.4	28
15 Pin	23.5	13.8	18.2	10.4	27	51 Pin	36.4	26.6	21.2	11.2	30
21 Pin	27.4	17.6	19.2	10.4	28	66 Pin	42.9	33	21.2	11.2	30
25 Pin	29.8	20.2	19.2	10.4	28	74 Pin	38.8	29.1	21.2	12	30
31 Pin	33.6	24	19.2	10.4	28	100 Pin	54.7	40.7	21.2	12	30



## R16R series micro rectangular electrical connector

### R16R Crimping extension type\R16RC-TJ & R16RC-ZK

Plug R16RC-9、15、21、25、31、37、51、66、74、100TJ

Receptacle R16RC-9、15、21、25、31、37、51、66、74、100ZK

Note: R16RC-TJ / ZK products are compared with the crimped basic R16R-TJ / ZK, except that the shell material is changed to tin phosphor bronze and the surface is nickel plated, while the rest of the state, such as overall dimensions, wire requirements, installation The opening and installation methods are the same as R16R-TJ / ZK, so only the model is listed in the sample, and the rest of the description is omitted. All matters can refer to R16R-TJ / ZK.

### R16RC Crimping extension type\R16RC-ZK-Q

Receptacle R16RC-9、15、21、25、31、37、51、66、74、100ZK-Q

Note: R16RC-ZK-Q product is compared with the crimped basic R16R-ZK-Q, except that the shell material is changed to tin phosphor bronze and the surface is nickel plated, while the rest of the state, such as dimensions, wire requirements, installation The opening and installation methods are the same as R16R-ZK-Q, so only the model is listed in the sample, and the rest of the description is omitted. All matters can refer to R16R-ZK-Q.

### R16RC PCB extension type\R16RC-ZKW-Q

Receptacle R16RC-9、15、21、25、31、37、51、66、74、100ZKW-Q

#### Stereogram



R16RC-9ZKW-Q



R16RC-31ZKW-Q

Note: R16RC-ZKW-Q products are based on the basic crimping type R16R-ZK-Q, and the contact parts are changed from crimping to bent plug printed board form, and the pin arrangement is exactly the same as that of R16R-ZKW. You can check R16R-ZK-Q for all matters.

### R16RA Quick lock Crimping type\R16RA-TJ & R16RA-ZK

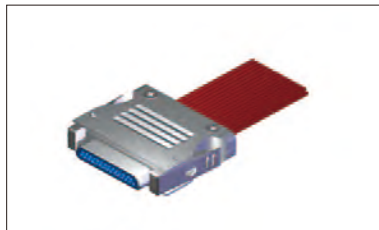
Plug

R16RA-9、15、21、25、31、37、51、66、74、100、144TJ

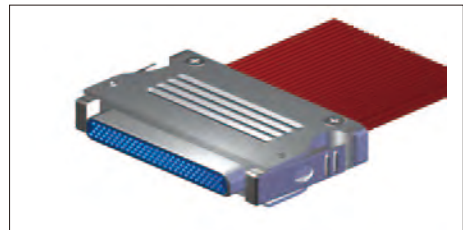
#### Stereogram



R16RA-9TJ



R16RA-31TJ

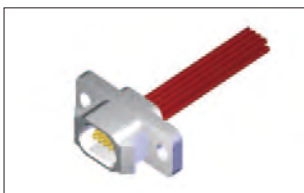


R16RA-100TJ

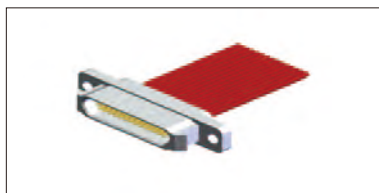
Receptacle

R16RA-9、15、21、25、31、37、51、66、74、100、144ZK

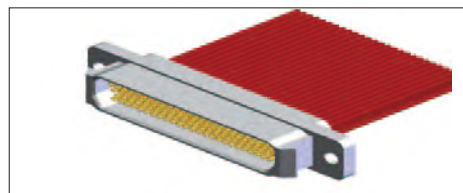
#### Stereogram



R16RA-9ZK



R16RA-31ZK



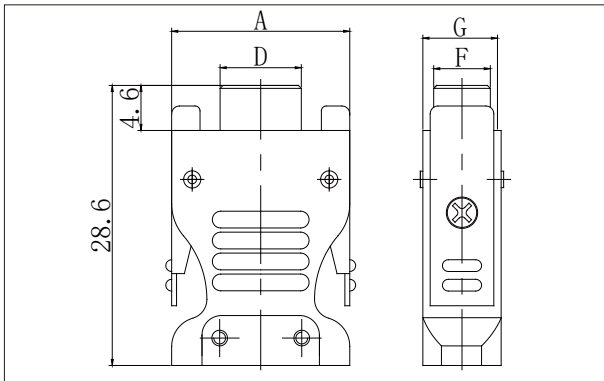
R16RA-100ZK



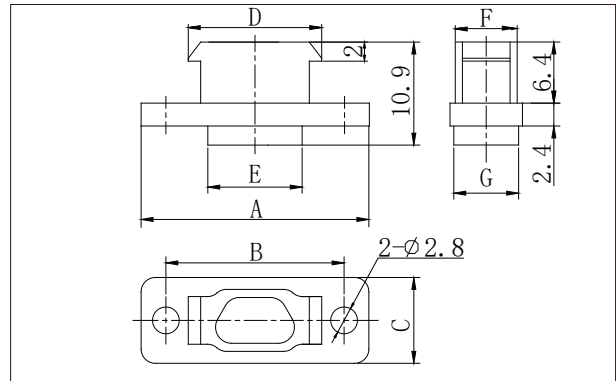
## R16R series micro rectangular electrical connector

### R16RA Quick lock Crimping type\R16RA-TJ & R16RA-ZK

#### Outline dimension drawing



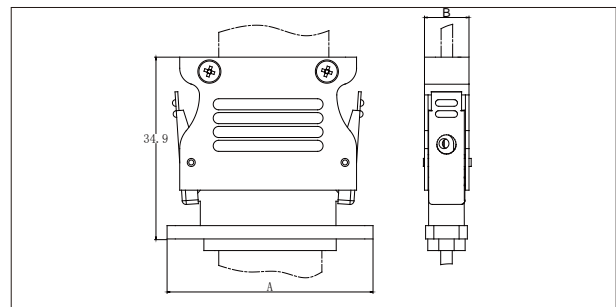
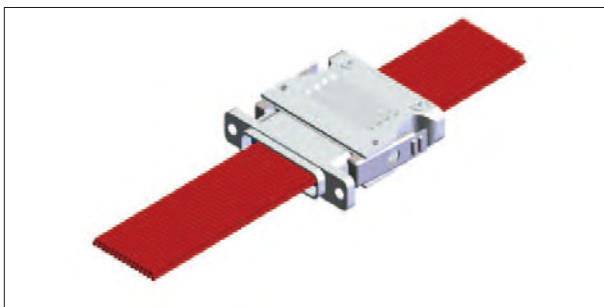
R16RA- □ T J



R16RA- □ Z K

Plug	A	D	F	G	Receptacle	A	B	C	D	E	F	G
R16RA-9TJ	18.2	8.4	4.7	8.1	R16RA-9ZK	23.4	18.6	7.6	14.3	9.8	6.5	6.8
R16RA-15TJ	22.1	12.3	4.7	8.1	R16RA-15ZK	27.4	22.6	7.6	18.3	13.8	6.5	6.8
R16RA-21TJ	25.8	16	4.7	8.1	R16RA-21ZK	31.1	26.3	7.6	22	17.5	6.5	6.8
R16RA-25TJ	28.4	18.6	4.7	8.1	R16RA-25ZK	33.7	28.9	7.6	24.6	20.1	6.5	6.8
R16RA-31TJ	32.2	22.4	4.7	8.1	R16RA-31ZK	37.5	32.7	7.6	28.4	24.1	6.5	6.8
R16RA-37TJ	36	26.3	4.7	8.1	R16RA-37ZK	41.4	36.6	7.6	32.3	27.8	6.5	6.8
R16RA-51TJ	34.8	25	5.8	10	R16RA-51ZK	40.1	35.3	8.7	31	26.5	7.6	7.9
R16RA-66TJ	41.2	31.4	5.8	10	R16RA-66ZK	46.5	41.7	8.7	37.4	33	7.6	7.9
R16RA-74TJ	37.3	27.5	6.8	11	R16RA-74ZK	42.6	37.8	9.8	33.5	29	8.7	9
R16RA-100TJ	44.8	35	6.8	11	R16RA-100ZK	50.1	45.3	9.8	41	36.5	8.7	9
R16RA-144TJ	58.8	49	6.8	11	R16RA-144ZK	64.1	59.3	9.8	55	50.6	8.7	9.1

#### Docking drawing



P/N	A	B	P/N	A	B
R16RA-9TJ/ZK	23.4	8.1	R16RA-51TJ/ZK	40.1	10
R16RA-15TJ/ZK	27.4	8.1	R16RA-66TJ/ZK	46.5	10
R16RA-21TJ/ZK	31.1	8.1	R16RA-74TJ/ZK	42.6	11
R16RA-25TJ/ZK	33.7	8.1	R16RA-100TJ/ZK	50.1	11
R16RA-31TJ/ZK	37.5	8.1	R16RA-144TJ/ZK	64.1	11
R16RA-37TJ/ZK	41.4	8.1			



## R16R series micro rectangular electrical connector

### R16RA PCB extension type\R16RA-ZKN

The connection between the end of the contact and the PCB is straight type, and the grid size is 2.54x2.54.

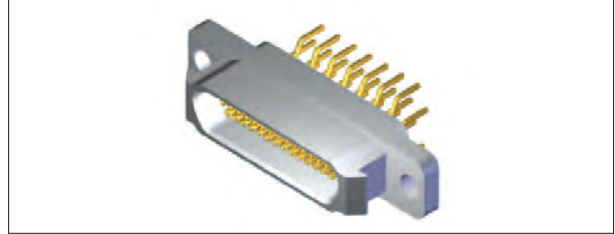
#### Receptacle

R16RA-9、15、21、25、31、37、51ZKN

#### Stereogram

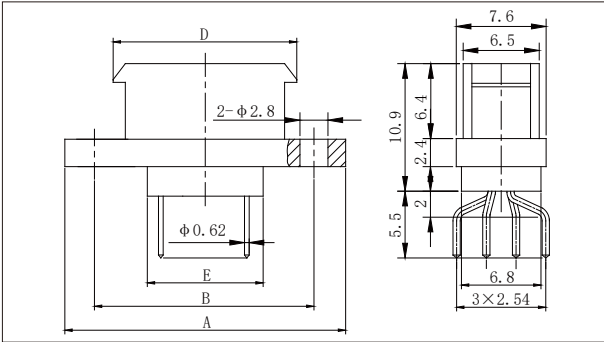


R16RA-9ZKN

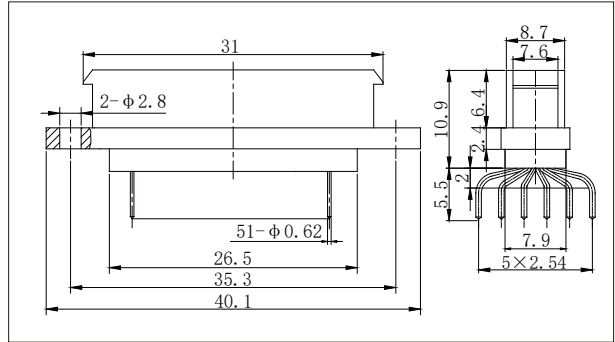


R16RA-31ZKN

#### Outline dimension drawing



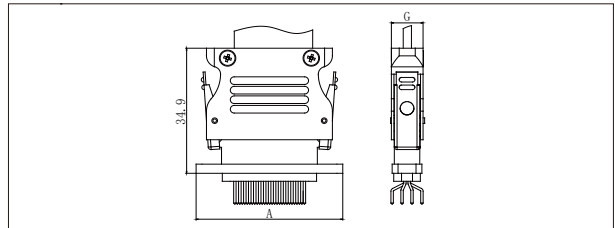
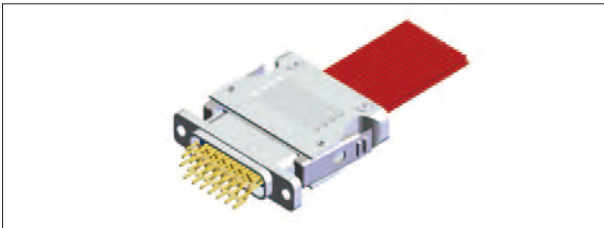
R16RA-9 ~ 37ZKN



R16RA-51ZKN

P/N	A	B	D	E
R16RA-9ZKN	23.4	18.6	14.3	9.8
R16RA-15ZKN	27.4	22.6	18.3	13.8
R16RA-21ZKN	31.1	26.3	22	17.5
R16RA-25ZKN	33.7	28.9	24.6	20.1
R16RA-31ZKN	37.5	32.7	28.4	24.1
R16RA-37ZKN	41.4	36.6	32.3	27.8

#### Docking dimension drawing



P/N	A	G	P/N	A	G
R16RA-9TJ/ZKN	23.4	8.1	R16RA-31TJ/ZKN	37.5	8.1
R16RA-15TJ/ZKN	27.4	8.1	R16RA-37TJ/ZKN	41.4	8.1
R16RA-21TJ/ZKN	31.1	8.1	R16RA-51TJ/ZKN	40.1	10
R16RA-25TJ/ZKN	33.7	8.1			

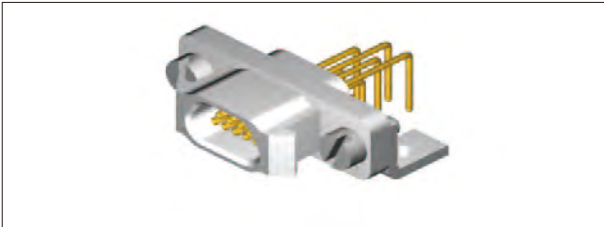
## R16R series micro rectangular electrical connector

### R16RA PCB extension type\R16RA-ZKW

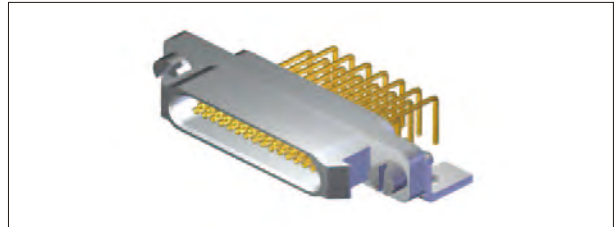
The connection between the end of the contact and the PCB is right angle type, and the grid size is 1.27 x 2.54 .

#### Receptacle

R16RA-9、15、21、25、31、37、51ZKW

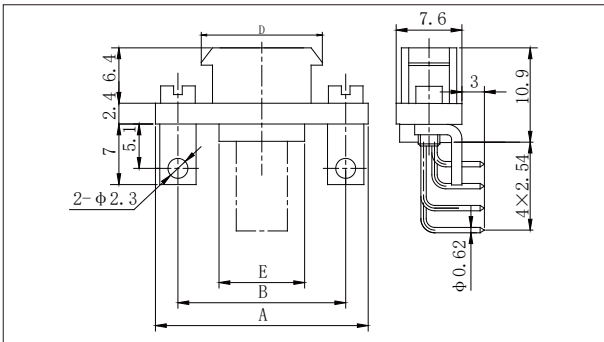


R16RA-9ZKW

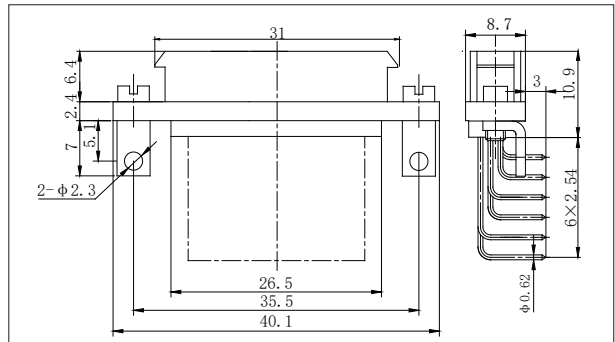


R16RA-31ZKW

#### Outline dimension drawing



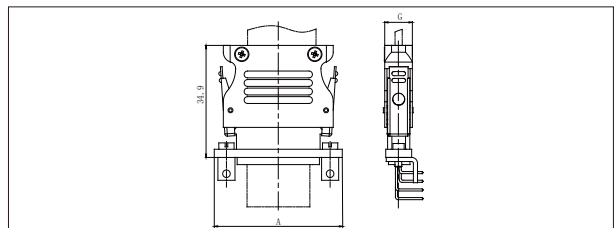
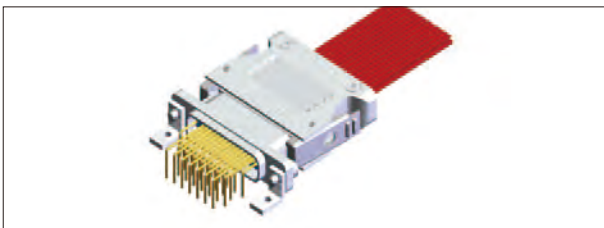
R16RA-9 ~ 37ZKW



R16RA-51ZKW

P/N	A	B	D	E
R16RA-9ZKW	23.4	18.6	14.3	9.8
R16RA-15ZKW	27.4	22.6	18.3	13.8
R16RA-21ZKW	31.1	26.3	22	17.5
R16RA-25ZKW	33.7	28.9	24.6	20.1
R16RA-31ZKW	37.5	32.7	28.4	24.1
R16RA-37ZKW	41.4	36.6	32.3	27.8

#### Docking dimension drawing



P/N	A	G	P/N	A	G
R16RA-9TJ/ZKW	23.4	8.1	R16RA-31TJ/ZKW	37.5	8.1
R16RA-15TJ/ZKW	27.4	8.1	R16RA-37TJ/ZKW	41.4	8.1
R16RA-21TJ/ZKW	31.1	8.1	R16RA-51TJ/ZKW	40.1	10
R16RA-25TJ/ZKW	33.7	8.1			



## R16R series micro rectangular electrical connector

### R16RA PCB extension type\R16RA-ZKW-J

The connection between the end of the contact and the PCB is right angle type, and the grid size is 1.27 x 2.54 .

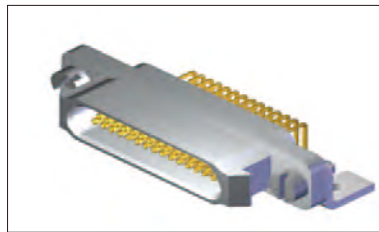
#### Receptacle

R16RA-9、15、21、25、31、37、51、74、100ZKW-J

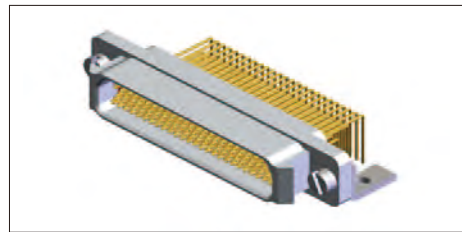
#### Stereogram



R16RA-9ZKW-J

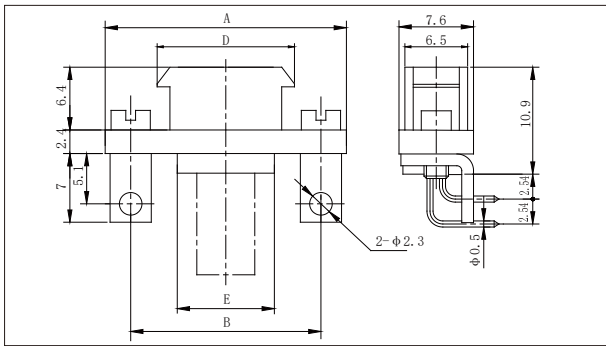


R16RA-31ZKW-J

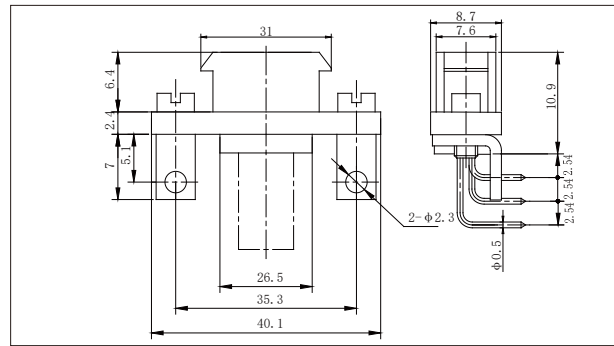


R16RA-100ZKW-J

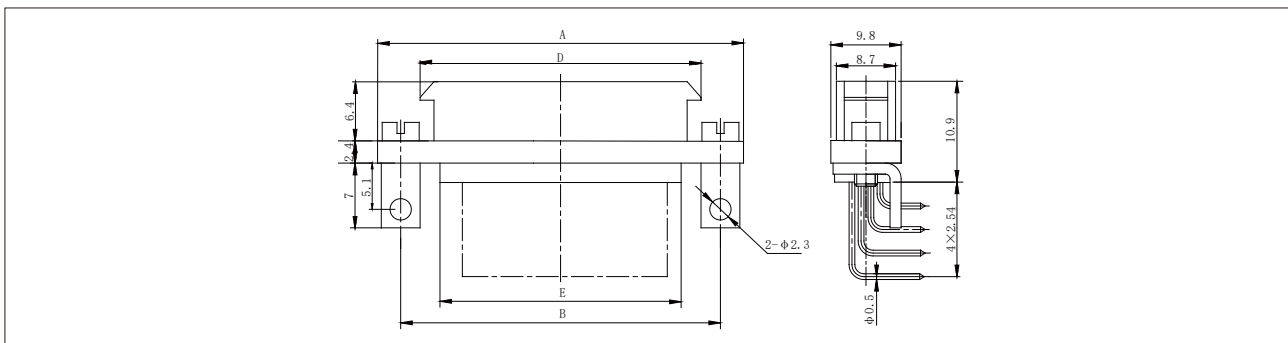
#### Outline dimension drawing



R16RA-9 ~ 37ZKW-J



R16RA-51ZKW-J



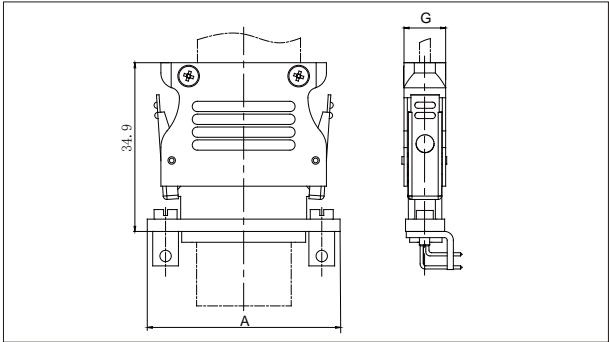
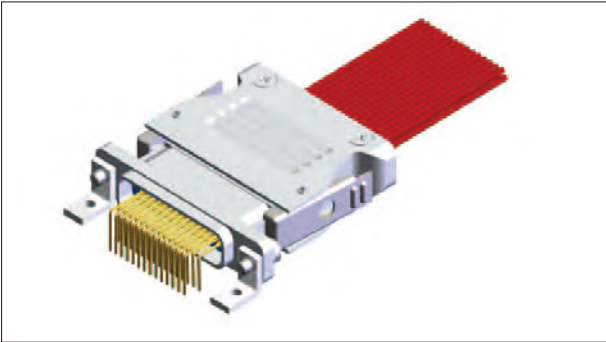
R16RA-74、100ZKW-J

Receptacle	A	B	D	E
R16RA-9ZKW-J	23.4	18.6	14.3	9.8
R16RA-15ZKW-J	27.4	22.6	18.3	13.8
R16RA-21ZKW-J	31.1	26.3	22	17.5
R16RA-25ZKW-J	33.7	28.9	24.6	20.1
R16RA-31ZKW-J	37.5	32.7	28.4	24.1
R16RA-37ZKW-J	41.4	36.6	32.3	27.8
R16RA-74ZKW-J	42.6	37.8	33.5	29
R16RA-100ZKW-J	50.1	45.3	41	36.5
R16RA-51ZKW-J	See "Outline dimension drawing"			



## R16R series micro rectangular electrical connector

### Docking drawing



P/N	A	G	P/N	A	G
R16RA-9TJ/ZKW-J	23.5	8.1	R16RA-37TJ/ZKW-J	41.4	8.1
R16RA-15TJ/ZKW-J	27.4	8.1	R16RA-51TJ/ZKW-J	40.1	10
R16RA-21TJ/ZKW-J	31.1	8.1	R16RA-74TJ/ZKW-J	42.6	11
R16RA-25TJ/ZKW-J	33.7	8.1	R16RA-100TJ/ZKW-J	50.1	11
R16RA-31TJ/ZKW-J	37.5	8.1			



## R16R series micro rectangular electrical connector

### R16RD Crimping extension type\R16RD-TJ & R16RD-ZK

On the basis of R16R-TJ / ZK, the mounting hole is changed to M2-6H threaded hole.

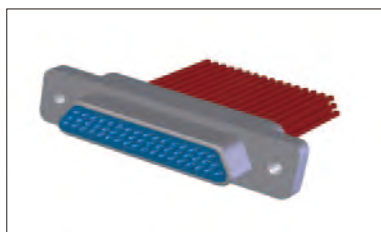
#### Plug

R16RD-9, 15, 21, 25, 31, 37, 51, 66, 74, 100TJ

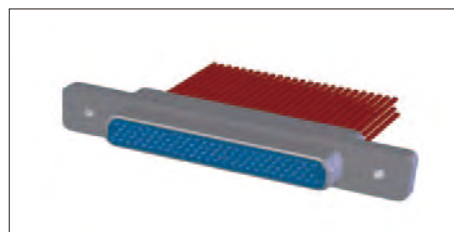
#### Stereogram



R16RD-25TJ



R16RD-51TJ

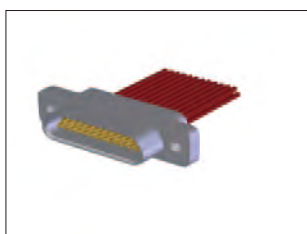


R16RD-100TJ

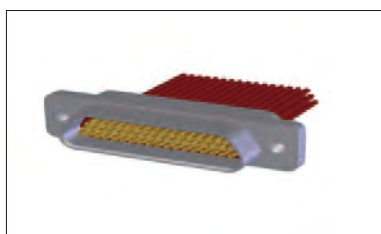
#### Receptacle

R16RD-9, 15, 21, 25, 31, 37, 51, 66, 74, 100ZK

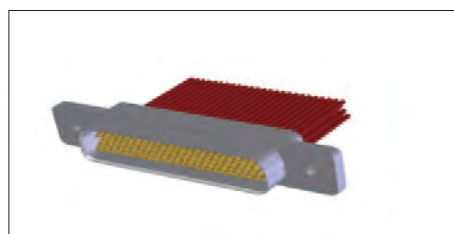
#### Stereogram



R16RD-25ZK

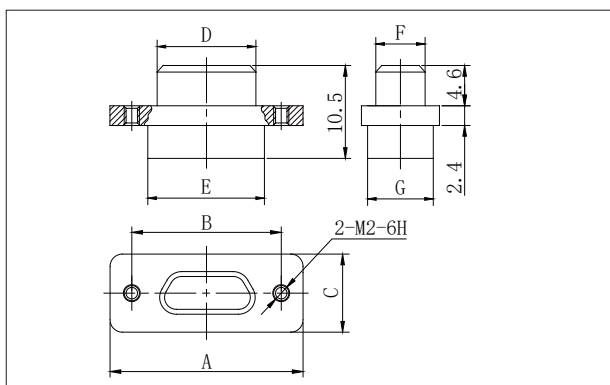


R16RD-51ZK

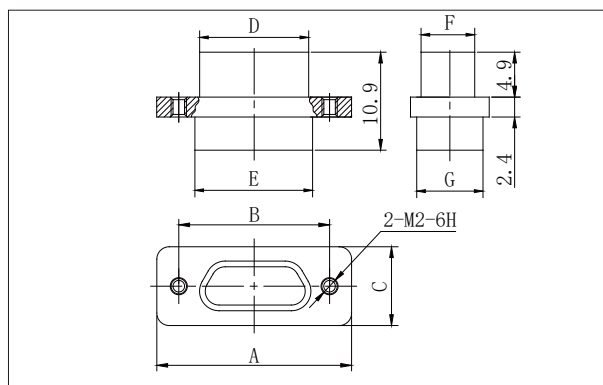


R16RD-100ZK

#### Outline dimension drawing



R16RD- TJ



R16RD- ZK

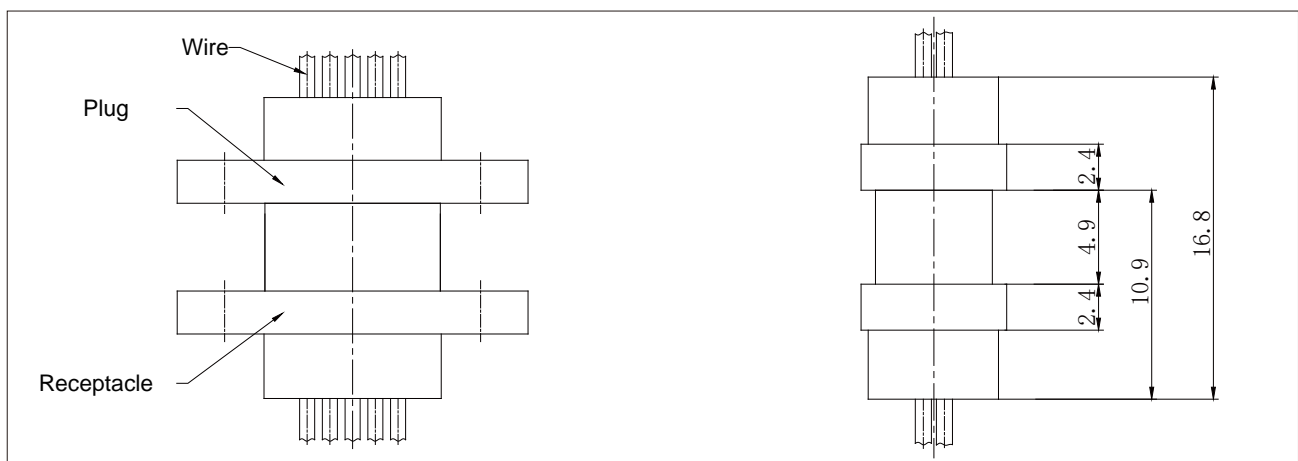


## R16R series micro rectangular electrical connector

### R16RD Crimping extension type\R16RD-TJ&R16RD-ZK

Order mark	A	B	C	D	E	F	G
R16RD-9TJ	19.6	14.3	7.6	8.3	9.9	4.7	6.8
R16RD-15TJ	23.5	18.2	7.6	12.3	13.8	4.7	6.8
R16RD-21TJ	27.4	22	7.6	16	17.6	4.7	6.8
R16RD-25TJ	29.8	24.5	7.6	18.6	20.2	4.7	6.8
R16RD-31TJ	33.6	28.3	7.6	22.4	24	4.7	6.8
R16RD-37TJ	37.4	32.2	7.6	26.3	27.8	4.7	6.8
R16RD-51TJ	36.4	30.86	8.7	25	26.6	5.8	7.9
R16RD-66TJ	42.9	37.3	8.7	31.4	33	5.8	7.9
R16RD-74TJ	38.8	33.5	9.7	27.5	29.1	6.8	9.1
R16RD-100TJ	54.7	45.7	9.7	35	36.6	6.8	9.1
R16RD-9ZK	19.6	14.3	7.6	9.8	9.9	6.1	6.8
R16RD-15ZK	23.5	18.2	7.6	13.7	13.8	6.1	6.8
R16RD-21ZK	27.4	22	7.6	17.4	17.6	6.1	6.8
R16RD-25ZK	29.8	24.5	7.6	20	20.2	6.1	6.8
R16RD-31ZK	33.6	28.3	7.6	23.8	24	6.1	6.8
R16RD-37ZK	37.4	32.2	7.6	27.7	27.8	6.1	6.8
R16RD-51ZK	36.4	30.86	8.7	26.5	26.6	7.2	7.9
R16RD-66ZK	42.9	37.3	8.7	32.9	33	7.2	7.9
R16RD-74ZK	38.8	33.5	9.7	29	29.1	8.3	9.1
R16RD-100ZK	54.7	45.7	9.7	36.6	36.65	8.2	9.1

### Docking drawing



Front view

Left view

## R16R series micro rectangular electrical connector

### R16RM Glue sealing solder type R16RM-ZK

The performance index of R16R sealed products is the same as that of R16R except that the insulation resistance ( $\geq 2000M\Omega$ ) is different from that of R16R general type, and an air leakage rate index is added. The index is:  $5.0 \times 10^{-2} Pa \cdot cm^3 / s$ . Therefore, this type of product has an independent detailed product specification, Q / Lk 20073-2004 "Detailed Specification of J30JM Mini Rectangular Electrical Connector".

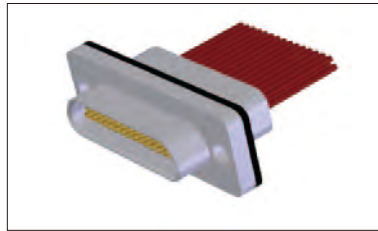
#### Receptacle

R16RM-9、15、21、25、31、37、51、66、74、100ZK

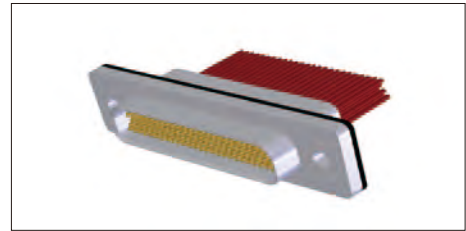
#### Stereogram



R16RM-9ZK

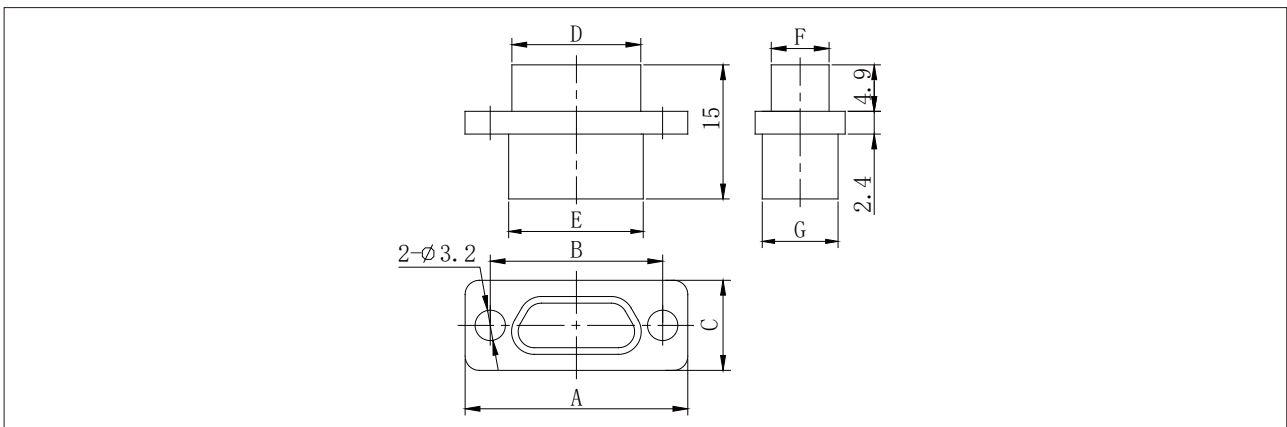


R16RM-31ZK



R16RM-100ZK

#### Outline dimension drawing



Note: The thickness of the rubber pads (see stereogram) installed on the flange of the product is 1mm.

Order mark	A	B	C	D	E	F	G
R16RM-9ZK	19.6	14.3	12	9.8	9.9	6.1	6.8
R16RM-15ZK	23.5	18.2	12	13.7	13.8	6.1	6.8
R16RM-21ZK	27.4	22	12	17.4	17.6	6.1	6.8
R16RM-25ZK	29.8	24.5	12	20	20.2	6.1	6.8
R16RM-31ZK	33.6	28.3	12	23.8	24	6.1	6.8
R16RM-37ZK	37.4	32.2	12	27.7	27.8	6.1	6.8
R16RM-51ZK	36.4	30.86	13	26.5	26.6	7.2	7.9
R16RM-66ZK	42.9	37.3	13	32.9	33	7.2	7.9
R16RM-74ZK	38.8	33.5	14	29	29.1	8.3	9.1
R16RM-100ZK	54.7	45.7	14	36.65	36.8	8.2	9.1



## R16R series micro rectangular electrical connector

### R16RM Glue sealing solder type\R16RM-ZKS

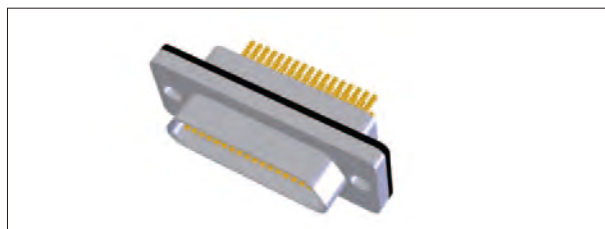
The R16R sealed solder product is the same as the R16RM-ZK crimped basic type. Its performance indicators are completely different from the R16R ordinary type except for the insulation resistance (2000M $\Omega$ ). Rate index, the index is: 5.0  $\times$  10<sup>-2</sup> Pa • cm<sup>3</sup> / s. Therefore, this type of product has an independent detailed product specification, Q / Lk 20073-2004 "Detailed Specification of R16RM Mini Rectangular Electrical Connector".

#### Receptacle R16RM-31、51ZKS

#### Stereogram

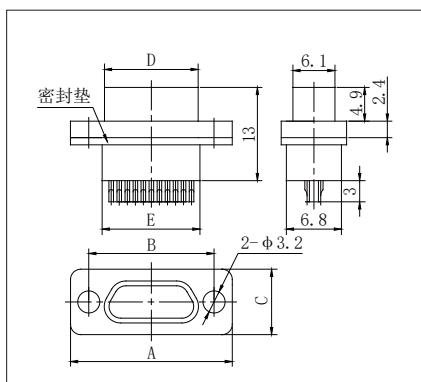


R16RM-31ZKS

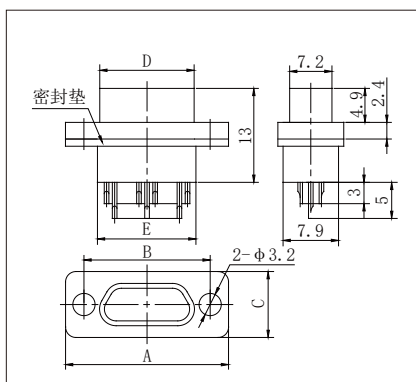


R16RM-51ZKS

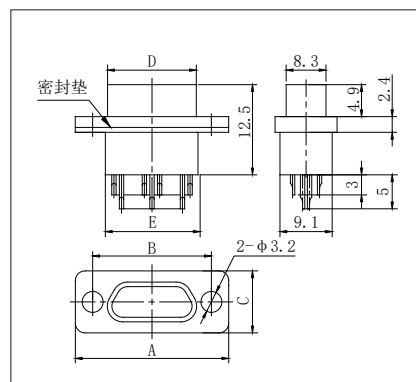
#### Outline dimension drawing



R16RM-9 ~ 37ZKS



R16RM-51 ~ 66ZKS



R16RM-74 ~ 100ZKS

Note: The thickness of the gasket installed on the product flange is 1mm.

Model	A	B	C	D	E	Model	A	B	C	D	E
R16RM-9ZKS	19.6	14.3	11.6	9.8	9.9	R16RM-37ZKS	37.4	32.2	11.6	27.7	27.8
R16RM-15ZKS	23.5	18.2	11.6	13.7	13.8	R16RM-51ZKS	36.4	30.86	12.7	26.5	26.6
R16RM-21ZKS	27.4	22	11.6	17.4	17.6	R16RM-66ZKS	42.9	37.3	12.7	32.9	33
R16RM-25ZKS	29.8	24.5	11.6	20	20.2	R16RM-74ZKS	38.8	33.5	13.7	29	29.1
R16RM-31ZKS	33.6	28.3	11.6	23.8	24	R16RM-100ZKS	54.7	45.7	13.7	36.6	36.6



## R16R series micro rectangular electrical connector

### R16RM1 Sintered glass sealing solder type\R16RM1-ZKS

This is a R16R product with a higher sealing index (note that only the receptacle end is sealed). It uses a glass sintered structure and is used in conjunction with ordinary R16R series plugs and locking components.

Executive standard: Q / Lk30016-2008 "Detailed specification for R16RM1 series miniature rectangular sealed electrical connectors"

Technical characteristics:

Insulation resistance : 1000 M

Withstanding voltage : 600 Vr.m.s

Contact resistance : 30 m

Air leakage index :  $1 \times 10^{-3} \text{Pa.cm}^3/\text{s}$

The remaining technical indicators are exactly the same as R16R.

This series of sealed electrical connectors are mainly used for front mounting, other installation methods need to be customized.

It is recommended to use the blind hole installation method, and the preferred installation screws are P29, P36, P37, P43 and other screws of R16R series.

**Plug** R16RM1-9, 15, 21, 25, 31, 37, 51ZKS

### Stereogram



R16RM1-9ZKS

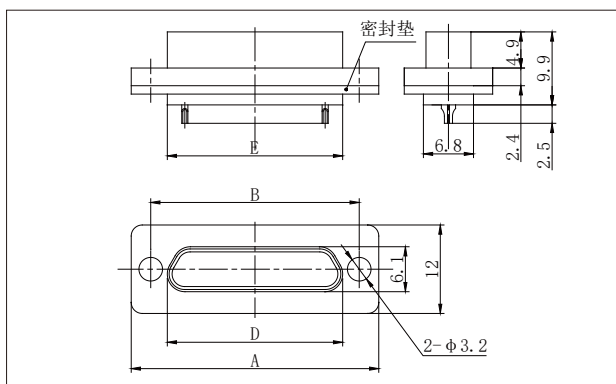


R16RM1-31ZKS

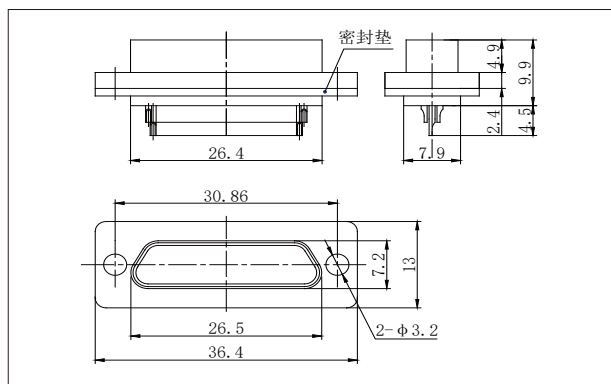


R16RM1-51ZKS

### Outline dimension drawing



R16RM1-9~37ZKS



R16RM1-51ZKS

P/N	A	B	D	E
R16RM1-9ZKS	19.6	14.3	9.8	9.7
R16RM1-15ZKS	23.5	18.2	13.7	13.6
R16RM1-21ZKS	27.4	22	17.4	17.4
R16RM1-25ZKS	29.8	24.5	20	20
R16RM1-31ZKS	33.6	28.3	23.8	23.8
R16RM1-37ZKS	37.4	32.2	27.7	27.6
R16RM1-51ZKS	See picture above			

Note: The thickness of the rubber pads (see product perspective) installed on the flange of the product is 1mm.

## R16R series micro rectangular electrical connector

### R16R wire clamp \A1 type wire clamp & A3 type wire clamp

A1 type clamp can be used with J30J basic crimping series products, and the locking component of the product should usually be a free end locking component.

A3 type clamp is the default matching of R16R basic welding S series products, and can also be used with R16R ordinary crimping series products.

When the A3 type clamp is used with the R16R basic crimping series products, the product order mark is R16R- □ TJ-A3 (plug), R16R- □ ZK-A3 (Receptacle).

When the A3 type clamp is used with the R16R basic welding S series products, the product order mark is R16R- □ TJS (plug), R16R- □ ZKS (Receptacle).

### Stereogram



R16R- A1



Assembly of A1 wire clamp and plug

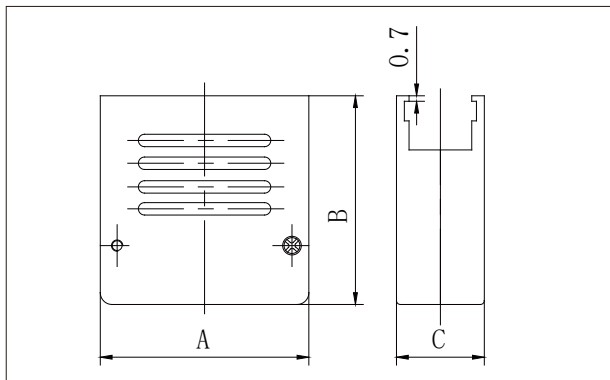


R16R-

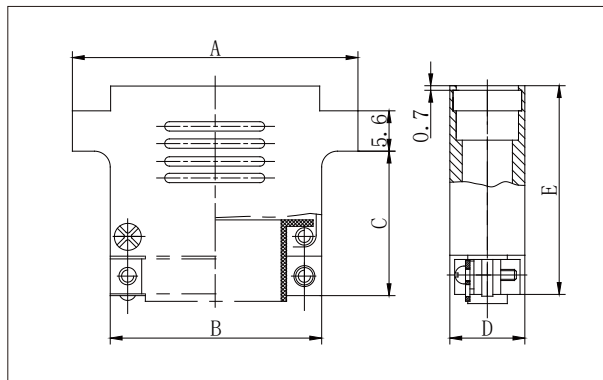


A3 A3 type wire clamp and product assembly

### Outline dimension drawing



R16R- A1 clamp



R16R- A3 clamp

P/N	A	B	C	P/N	A	B	C	D	E
R16R-9A1	9.9	23.6	10.4	R16R-9A3	19.6	9.9	18.2	10.4	27
R16R-15A1	13.8	23.6	10.4	R16R-15A3	23.5	13.8	18.2	10.4	27
R16R-21A1	17.6	23.6	10.4	R16R-21A3	27.4	17.6	19.2	10.4	28
R16R-25A1	20.2	23.6	10.4	R16R-25A3	29.8	20.2	19.2	10.4	28
R16R-31A1	24	23.6	10.4	R16R-31A3	33.6	24	19.2	10.4	28
R16R-37A1	27.8	23.6	10.4	R16R-37A3	37.4	27.8	19.2	10.4	28
R16R-51A1	26.6	26.6	11.2	R16R-51A3	36.4	26.6	21.2	11.2	30
R16R-66A1	33	26.6	11.2	R16R-66A3	42.9	33	21.2	11.2	30
R16R-74A1	29.1	30	12	R16R-74A3	38.8	29.1	21.2	12	30
R16R-100A1	40.7	30	12	R16R-100A3	54.7	40.7	21.2	12	30



## R16R eries micro rectangular electrical connector

### R16R clamp\A2 type clamp

A2 type wire clamp can only be used with R16R-TJ / ZK-Q8 products.

### Stereogram

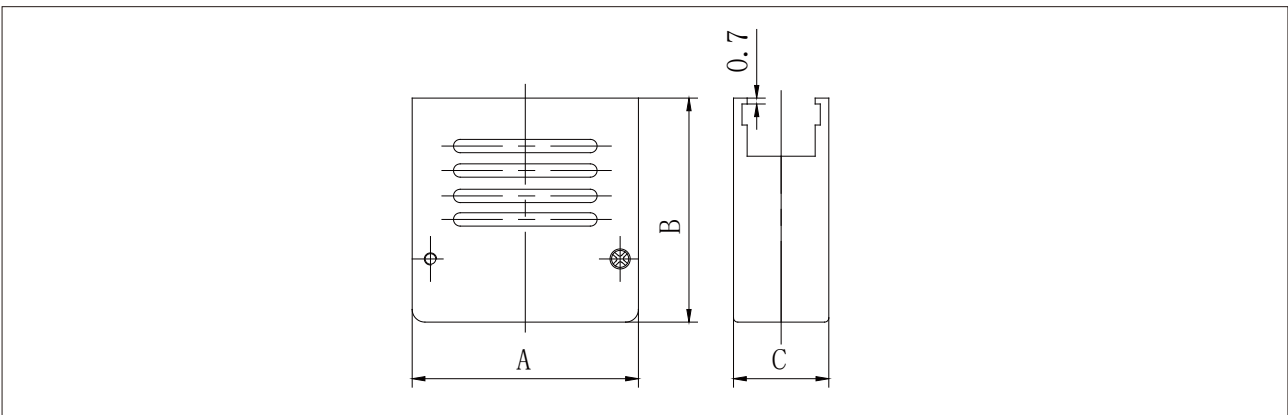


R16R- A2



Assembly of A2 wire clamp and plug

### Outline dimension drawing



R16R- A2 clamp

P/N	A	B	C
R16R-9A2	11.7	22	13.4
R16R-15A2	15.6	22	13.4
R16R-21A2	19.4	22	13.4
R16R-25A2	22	22	13.4
R16R-31A2	25.8	22	13.4
R16R-37A2	29.6	22	13.4
R16R-51A2	28.4	22	14.6



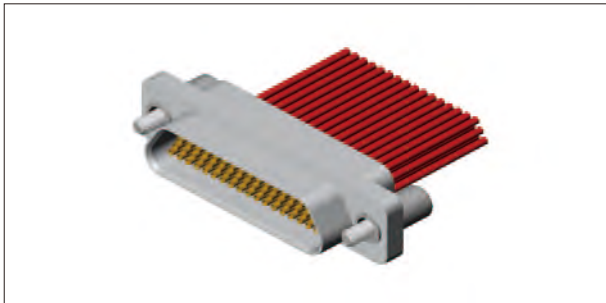
## R16R series micro rectangular electrical connector

### R16R Locking components\R16R Free end locking assembly

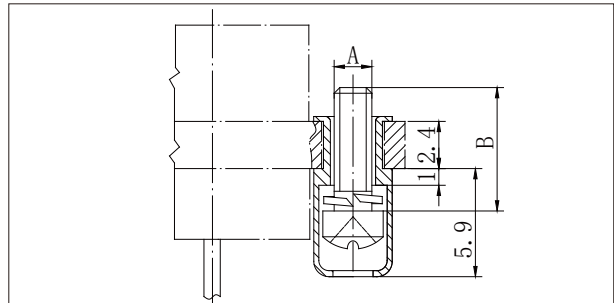
The free-end locking assembly should only be combined with the J30J product to form a free-end connector; the butt-locking end is usually a fixed-end locking assembly.

#### L、L1、L8 Locking components

Assembly diagram



Outline dimension drawing



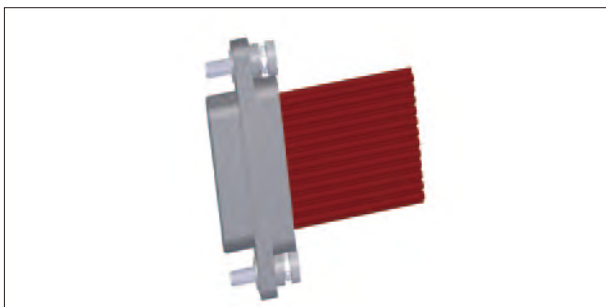
#### L、L1、L8 Locking components

R16R Free end locking assembly	A	B	Available R16R fixed end locking assembly
L type	M2-6h	7.1	P、P0、P2、P3、P4、P5、P7、P8、P9、P10、P11、P14、P15、P17、P23、P25、P27、P29、P30、P32、P35、P36、P37、P40、P41、P42、P43、P45、P46 型
L1 type	M2-6h	11.5	Specially designed for locking with R16R-ZK-Q4 products
L8 type	#2-56UNC-2A	7.1	P1

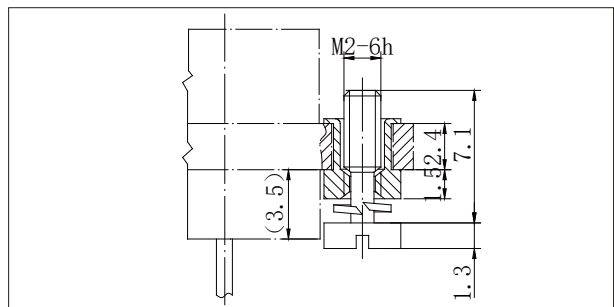
#### L7 Locking assembly

The L7 type locking assembly is installed in the R16R-TJ / ZK basic product, and the screw end is not higher than the end face of the housing after tightening.

Assembly diagram



Outline dimension drawing



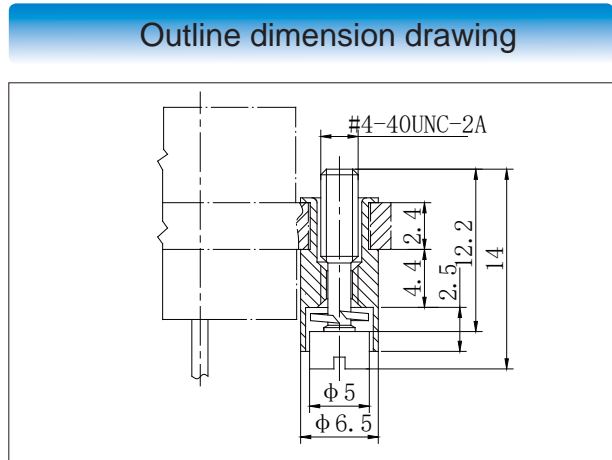
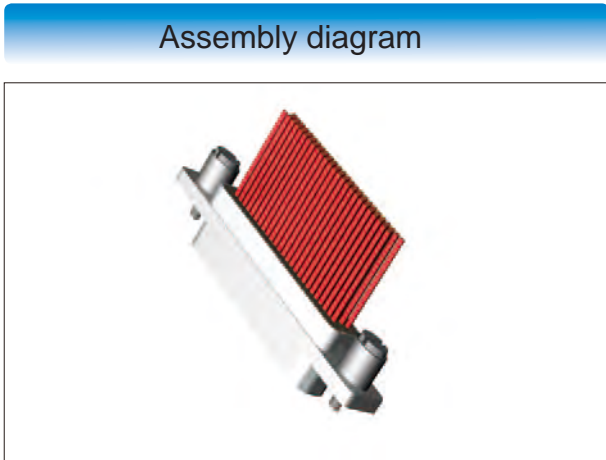
#### L7 Locking assembly

R16R Free end locking assembly	Available R16R fixed end locking assembly
L7 type	P、P0、P2、P3、P4、P5、P7、P8、P9、P10、P11、P14、P15、P17、P23、P25、P27、P29、P30、P32、P35、P36、P37、P40、P41、P42、P43、P45、P46 type

## R16R series micro rectangular electrical connector

### R16R Locking components\R16R Free end locking assembly

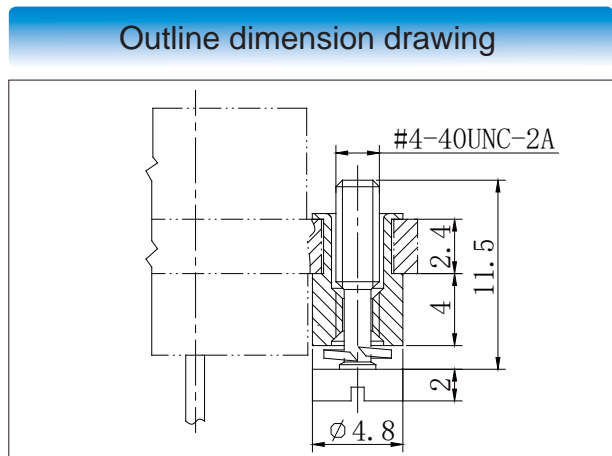
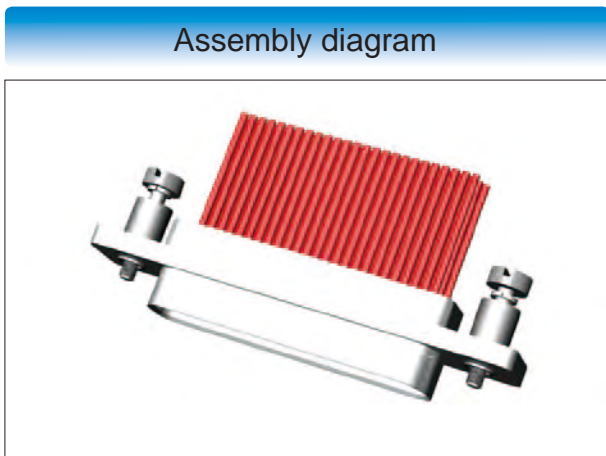
#### L2 Locking components



#### L2 Locking components

R16R Free end locking assembly	Applicable conditions and R16R fixed-end locking components
L2 type	It can only be used in products with mounting hole diameter of $\phi 3.7$ for R16R-100TJ-K / ZK-K shell flange. Can be used with P12, P16, P34 type locking components.

#### L3 Locking components



#### L3 Locking components

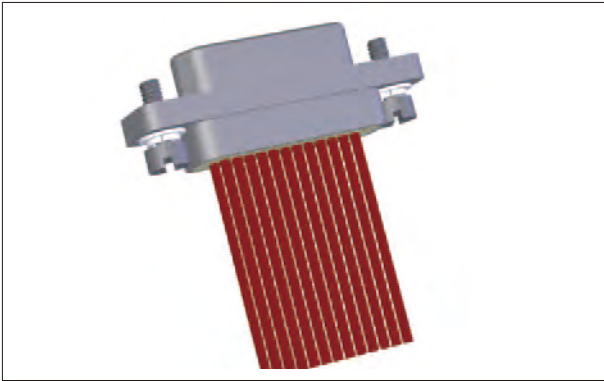
R16R Free end locking assembly	Applicable conditions and R16R fixed-end locking components
L3 type	It can only be used in products with mounting hole diameter of $\phi 3.7$ for R16R-100TJ-K / ZK-K shell flange. Can be used with P12, P16, P34 type locking components.

## R16R series micro rectangular electrical connector

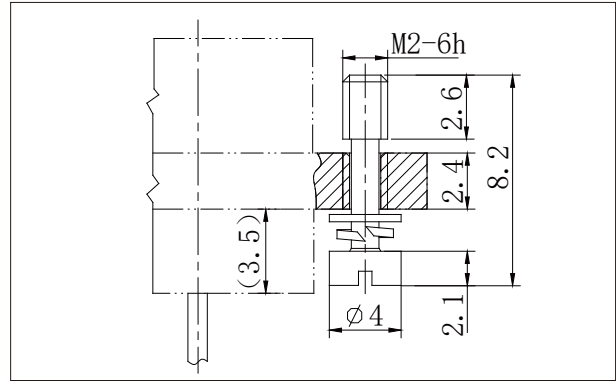
### R16R Locking components\R16R Free end locking assembly

#### L9 Locking components

Assembly diagram



Outline dimension drawing



#### L9 Locking components

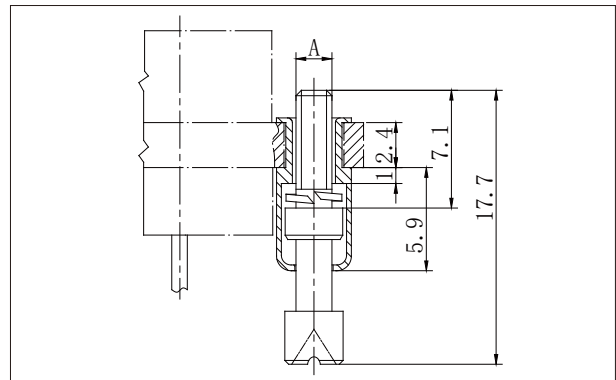
R16R Free end locking assembly	Applicable conditions and R16R fixed-end locking components
L9 type	It can only be used for J30JD type products, and for ease of use, it is recommended to be used for thread-throwing products. With P, P0, P2, P3, P4, P5, P7, P8, P9, P10, P11, P14, P15, P17, P23, P25, P27, P29, P30, P32, P35, P36, P37, P40, P41, P42, P43, P45, P46 type locking components

#### K、 K1 Locking components

Assembly diagram



Outline dimension drawing



#### K、 K1 Locking components

R16R Free end locking assembly	A	Available R16R fixed end locking assembly
K type	M2-6h	P, P0, P2, P3, P4, P5, P7, P8, P9, P10, P11, P14, P15, P17, P22, P23, P25, P27, P29, P30, P32, P35, P36, P37, P40, P41, P42, P43, P45, P46 type
K1 type	#2-56UNC-2A	P1

## R16R series micro rectangular electrical connector

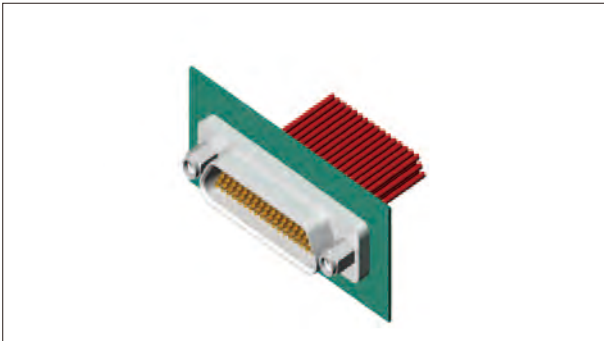
### R16R Locking components R16R Fixed end locking assembly

The fixed-end locking assembly is suitable for fixing the connector on the mounting board or PCB. Most fixed-end locking assemblies can be docked and locked with the free-end locking assemblies; a few fixed-end locking assemblies are only suitable for applications that are not locked with the free-end locking assemblies (such as P44 type).

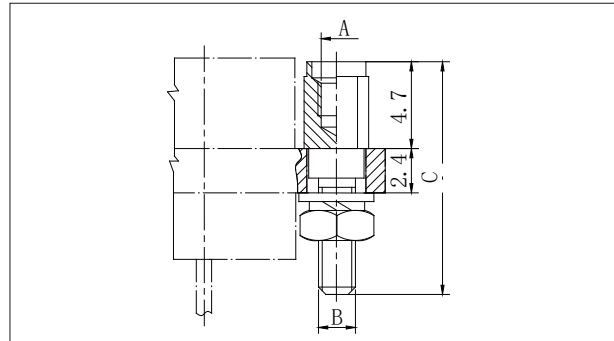
P, P1, P8, P9 Locking components

P, P1, P8, P9 type locking components are only suitable for front mounting

#### Assembly diagram



#### Outline dimension drawing



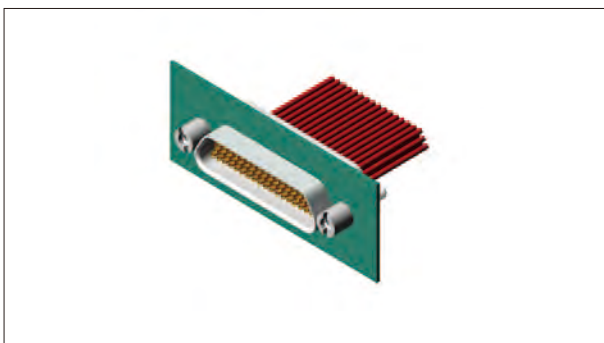
P, P1, P8, P9 Locking components

R16R Fixed end locking assembly	A	B	C	Available R16R free end locking assembly
P type	M2-6H	M2-6h	12.6	L, L7, L9, K type
P1 type	#2-56UNC-2B	#2-56UNC-2A	12.6	L8, K1 type
P8 type	M2-6H	M2-6h	15.6	L, L7, L9, K type
P9 type	M2-6H	M2-6h	21.6	L, L7, L9, K type

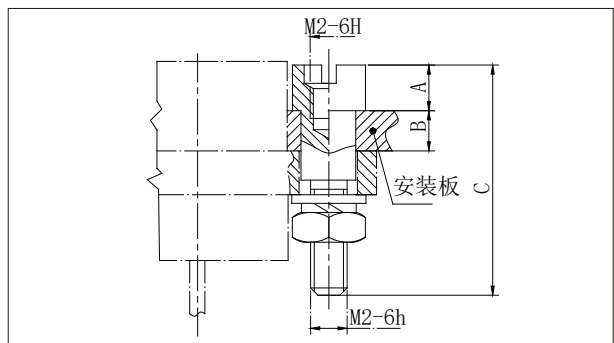
P0, P3, P4, P11, P45 Locking assembly

P0, P3, P4, P11, P45 type locking components are only suitable for rear mounting

#### Assembly diagram



#### Outline dimension drawing



P0, P3, P4, P11, P45 type locking components are only suitable for rear mounting

R16R Fixed end locking assembly	A	B	C	Available R16R free end locking assembly
P0 type	4.1	0.6	12.6	L, L7, L9, K type
P3 type	3.3	1.4	12.6	L, L7, L9, K type
P4 type	2.5	2.2	12.6	L, L7, L9, K type
P11 type	1.3	3.4	12.6	L, L7, L9, K type
P45 type	2.7	2	20	L, L7, L9, K type

## R16R series micro rectangular electrical connector

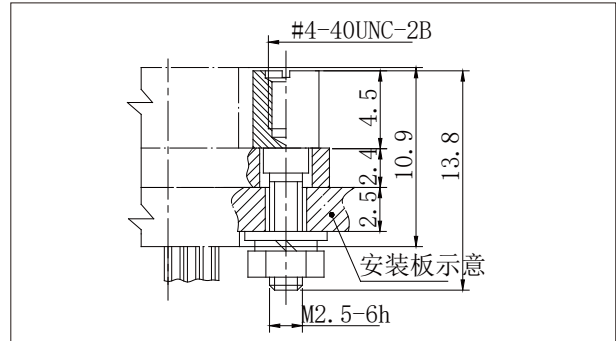
### R16R Locking components\R16R Fixed end locking assembly

#### P31 Locking assembly

Assembly diagram



Outline dimension drawing



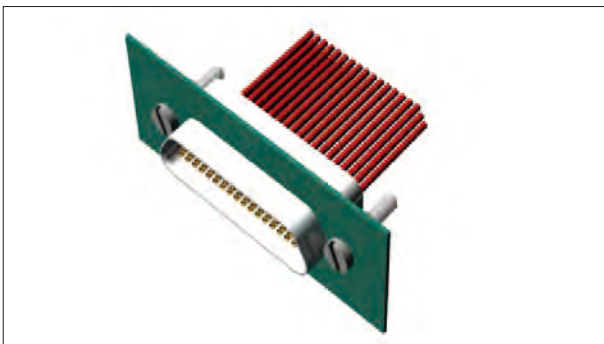
#### P31 Locking assembly

R16R Free end locking assembly	Applicable conditions and R16R fixed-end locking components
P31 type	It can only be used in products with mounting hole diameter of $\phi 3.7$ for R16R-100TJ-K / ZK-K shell flange. It can be used with L2 and L3 locking components.

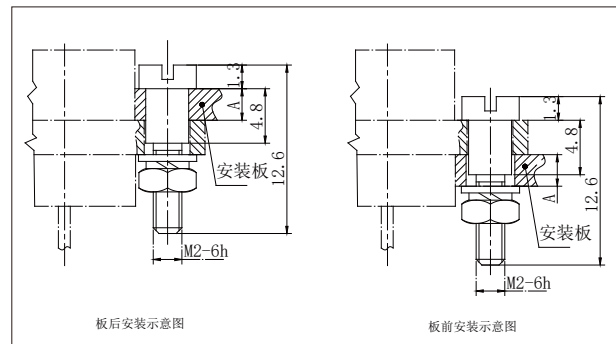
#### P44 Locking assembly

The P44 locking assembly is suitable for front mounting or rear mounting that is not locked with the free end locking assembly, and the maximum thickness of the installation board must be determined according to the use of the product, as shown in the table below.

Assembly diagram



Outline dimension drawing



#### The use of P44 locking components and the allowable thickness range of the mounting plate

Connector usage	Mounting plate thickness A range
When the connector board is installed behind and the mating end of the connector without fixed-end locking component.	3.4max
Front mounting	2.5 ~ 3.5
When the connector board is installed behind, and the mating end of the connector also has a fixed-end locking component.	A=4.9-1.3-(Distance between screw face of mating end and flange face)



## R16R series micro rectangular electrical connector

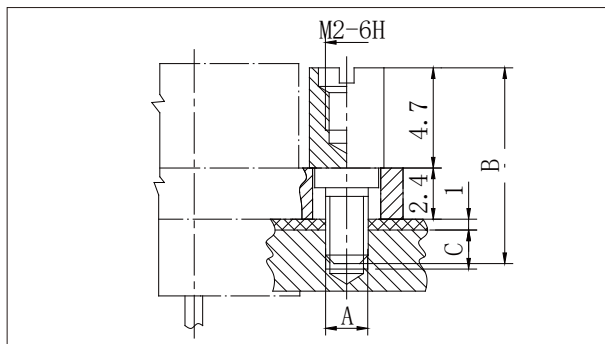
### R16R Locking components\R16R Fixed end locking assembly\R16RM For sealed products

The mounting screws for the fixed end of R16RM sealed products are mainly P29, P36, P37, P43, and are only suitable for front mounting  
P29、P36、P37、P43 Locking assembly

Assembly diagram



Outline dimension drawing



P29、P36、P37、P43 Locking assembly

R16R Fixed end locking assembly	A	B	C	Available R16R free end locking assembly
P29 type	M3-6h	10.5	3.3min	L、L7、L9、K type
P36 type	M3-6h	14.7	7min	L、L7、L9、K type
P37 type	M2-6h	10	2.8min	L、L7、L9、K type
P43 type	M3-6h	11.7	4min	L、L7、L9、K type

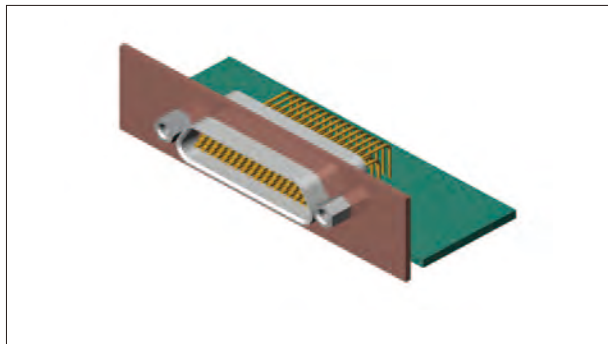
### R16R Locking components\R16R Fixed end locking assembly\Locking components for right angle PCB

The locking components used in the products of right angle PCB mainly include P2, P14, P7, P42, P15, P35, V1 type

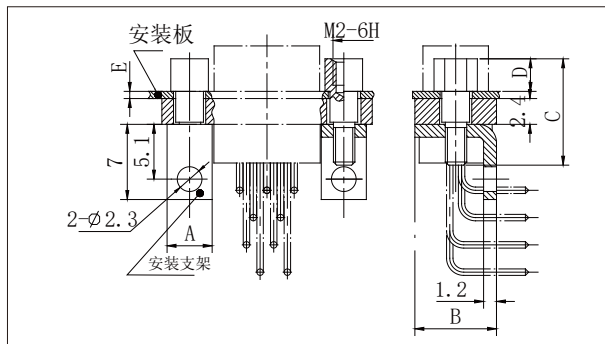
P2、P14 Locking assembly

P2 and P14 type locking components are suitable for 90 ° right angle PCB products by rear mounting

Assembly diagram



Outline dimension drawing



P2、P14 Locking assembly

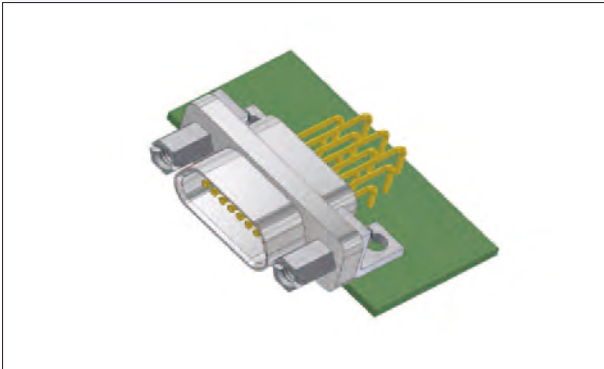
Pin Number	A	B	C		D		E		Available R16R free end locking assembly
			P2	P14	P2	P14	P2	P14	
9 ~ 37	4.2	7.6	11.6	10.7	3.7	1.7	1	3	L、L7、L9、K type
51、66	4.2	8.7	11.6	10.7	3.7	1.7	1	3	L、L7、L9、K type
74	4.2	9.7	11.6	10.7	3.7	1.7	1	3	L、L7、L9、K type
100	8.8	9.7	11.6	10.7	3.7	1.7	1	3	L、L7、L9、K type

## R16R Series micro rectangular electrical connector

R16R Locking components\R16R Fixed end locking assembly\Locking components for right angle PCB type locking components are suitable for 90 ° right angle PCB products by front mounting

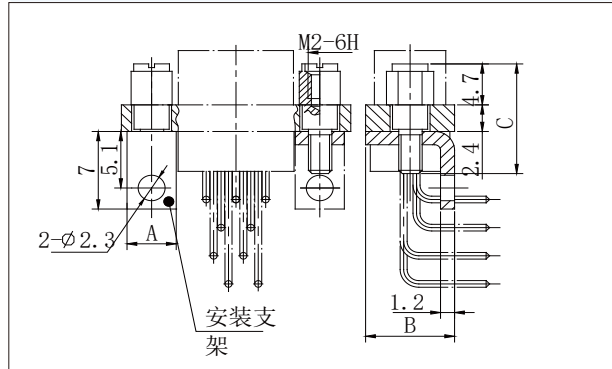
P7、P42

Assembly diagram



P7、P42 Locking assembly

Outline dimension drawing

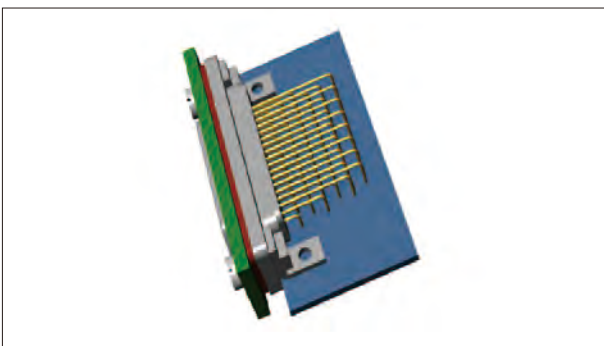


Pin Number	A	B	C		Available R16R free end locking assembly  L、L7、L9、K type
			P7	P42	
9 ~ 37	4.2	7.6	10.7	9.7	
51	4.2	8.7	10.7	9.7	
66	4.2	8.7	10.7	9.7	
74	4.2	9.7	10.7	9.7	
100	8.8	9.7	10.7	9.7	

P15、P35 Locking assembly

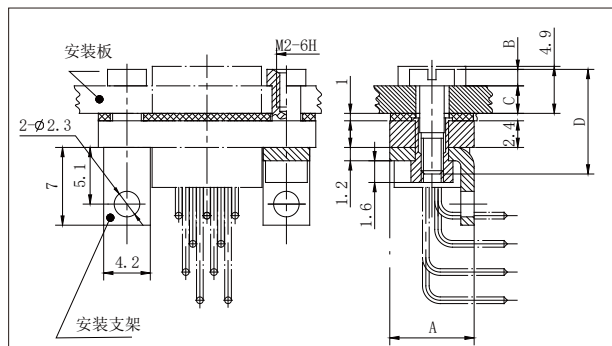
The P15 and P35 type locking components are suitable for the R16R-TJW-Q8 / ZKW-Q8 right angle PCB products, with real mounting

Assembly diagram



P15、P35 Locking assembly

Outline dimension drawing



Pin Number	A	B		C		D		Available R16R free end locking assembly  L、L7、L9、K type
		P15	P35	P15	P35	P15	P35	
9 ~ 37	7.6	1.9	2.4	2.5	1.8	9.7	9.5	
51	8.7	1.9	2.4	2.5	1.8	9.7	9.5	

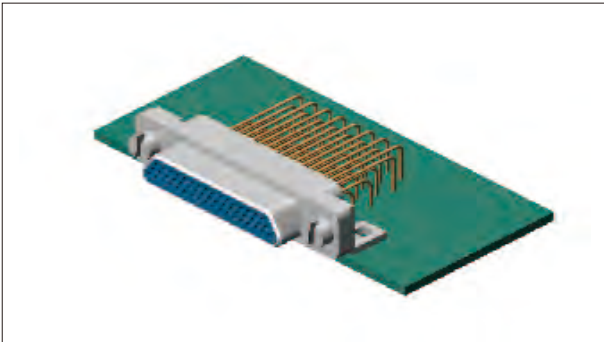
## R16R series micro rectangular electrical connector

### R16R Locking components\R16R Fixed end locking assembly\Locking components for right angle PCB

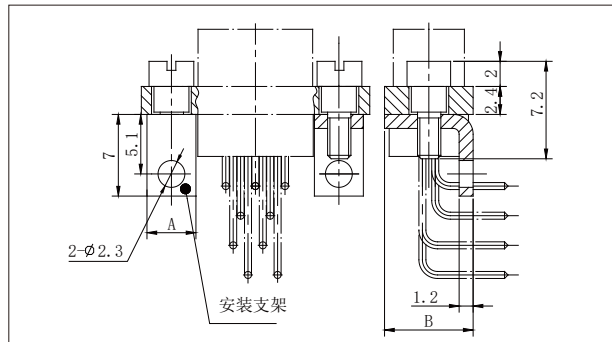
#### V1 Locking assembly

The V1 locking assembly is only suitable for right angle PCB and do not need to be locked between plugs and receptacles.

#### Assembly diagram



#### Outline dimension drawing



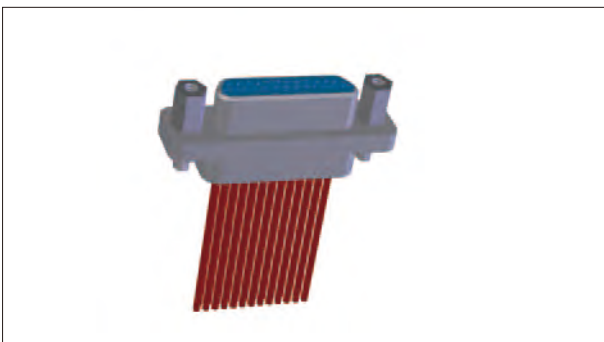
#### Installation Diagram of V1 locking assembly

Pin Number	A	B
9 ~ 37	4.2	7.6
51	4.2	8.7
66	4.2	8.7
74	4.2	9.7
100	8.8	9.7

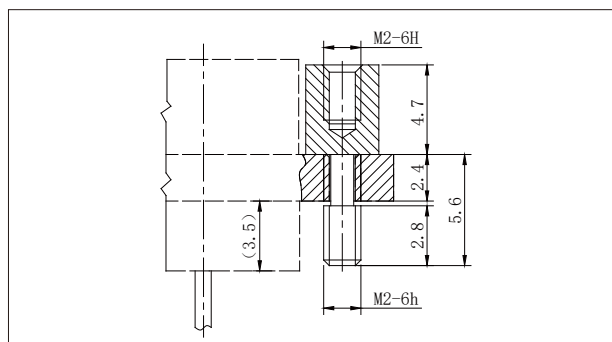
### R16R Locking components\R16R Fixed end locking assembly\ For R16RD type

The mounting screws used for the fixed end of R16RD products are mainly P46, and are only suitable for front mounting.  
P46 Locking assembly

#### Assembly diagram



#### Outline dimension drawing



#### Applicable conditions and matching of P46 locking components

R16R Free end locking assembly	Applicable conditions and R16R fixed-end locking components
P46 type	Can only be used on R16RD products. Can be used with L, L7, L9, K-type locking components.

## R16R series micro rectangular electrical connector

### R16R Locking assembly \R16R Fixed end locking assembly\Locking assembly for straight PCB

The locking components used for in-line printed board products are mainly P5, P10, P23, P25, P17, P41, V locking components.

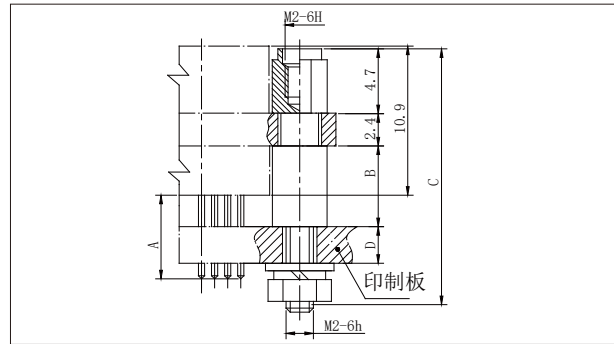
P5、P10、P23、P25 type locking assembly

P5、P10、P23、P25 locking assembly is only suitable for right angle PCB by front mounting.

Assembly diagram



Outline dimension drawing



#### P5、P10、P23、P25 type locking assembly

R16R Fixed end locking assembly	A	B	C	Available PCB thickness range	Available R16R free end locking assembly
P5 type	5.7	5.9	18.6	1.6~2.5	L、L7、L9、K type
P10 type	8	8.4	20.5	1.6~2.5	
P25 type	5.7	5.9	20.5	1.6~2.5	
	8	5.9	20.5	1.6~4.8	
P23 type	5.7	5.9	17.8	1.6	

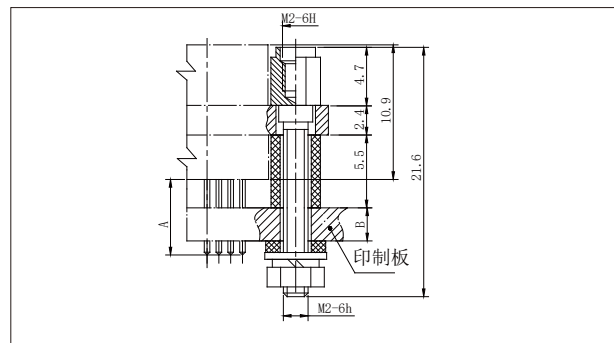
Note: The P10 locking assembly can only be used with R16R-9 ~ 37TJN8 products, but not for R16R-TJN / ZKN, R16R-TJN-J / ZKN-J and other products with pin size A of 5.7 in.

#### P17 type locking assembly

Assembly diagram



Outline dimension drawing



#### P17 type locking assembly

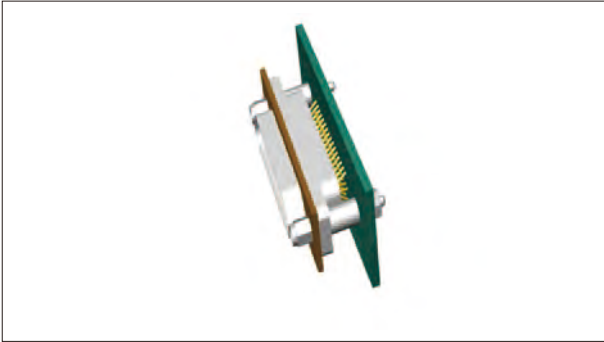
R16R Fixed end locking assembly	A	Available PCB thickness range B	Available R16R free end locking assembly	Applicable product
P17 type	5.7	1.6 ~ 3	L、L7、L9、K type	R16R-9 ~ 51TJN/ZKN、 R16R-9 ~ 100TJN/ZKN-J
	7.2	1.6 ~ 4.5		R16R-9 ~ 51TJN4/ZKN4、 R16R-9 ~ 100ZKN4-J

## R16R series micro rectangular electrical connector

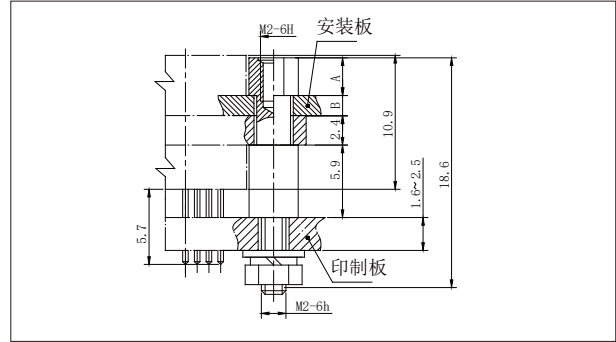
### P32、 P41 Locking components

P32 and P41 locking components are suitable for straight PCB products by rear mounting, PCB thickness 1.6~2.5.

Assembly diagram



Outline dimension drawing



### P32、 P41 locking components

R16R Fixed end locking assembly	A	B	Available R16R free end locking assembly
P32 type	2.7	2	L、L7、L9、K type
P41 type	3.2	1.5	L、L7、L9、K type

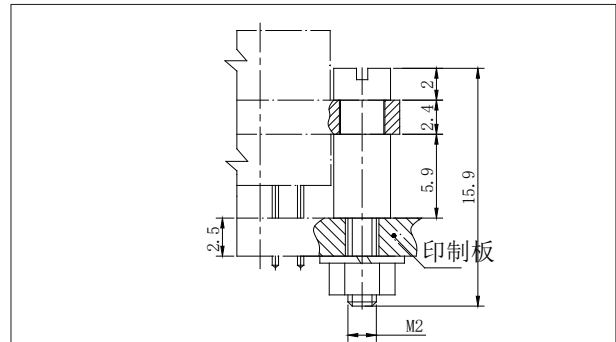
### V type Locking components

The V type locking component is suitable for straight PCB products that do not need to be locked between plugs and receptacles, and the PCB thickness is not more than 2.5mm.

Assembly diagram



Outline dimension drawing



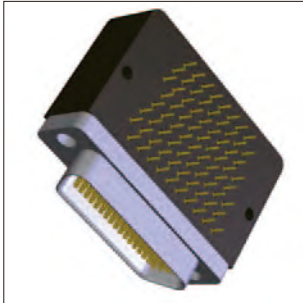
## R16R series micro rectangular electrical connector

### R16R 74 pin special right angle PCB products

Special right angle PCB products, the pin grid spacing is  $2.54 \times 2.54$ . Such products are only suitable for rear mounting, not front mounting.

Receptacle R16R-74ZKW- S、R16R-74ZKW4- S、R16R-74ZKW ( 14 ) - S、R16R-74ZKW4 ( 14 ) - S

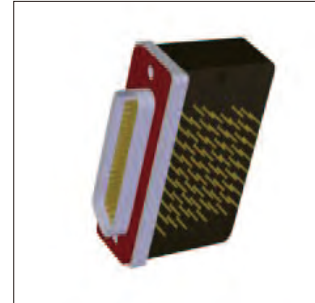
### Stereogram



R16R-74ZKW-S

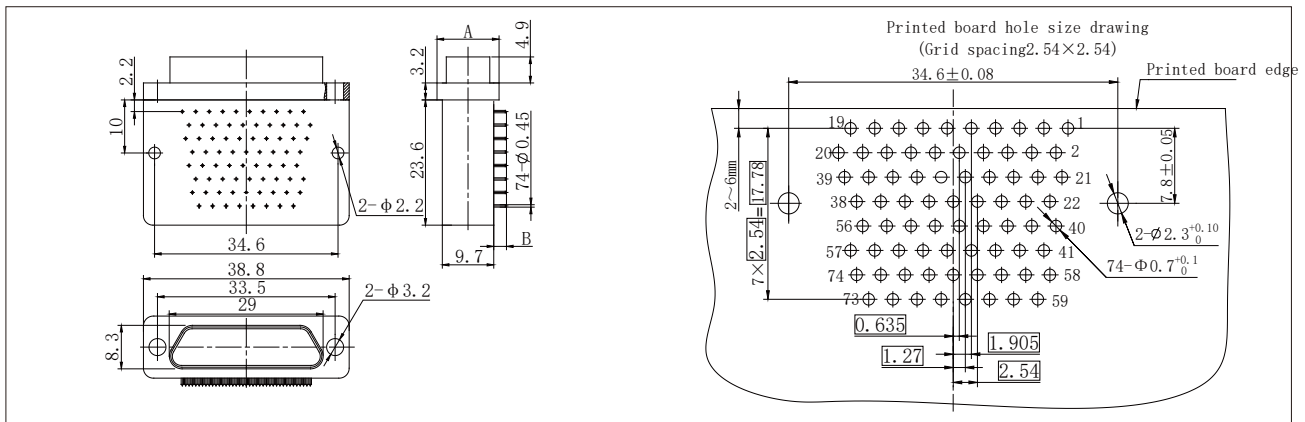


R16R-74ZKW4-S



R16R-74ZKW4 ( 14 ) -S

### Outline dimension drawing



Receptacle Model	A	B	Remark
R16R-74ZKW-S	9.7	2.4	R16R-74ZKW (14) -S and R16R-74ZKW4 (14) -S are equipped with rubber pads on the housing flange, while those of R16R- 74ZKW-S and R16R-74ZKW4-S are not. The mounting screws that can be used with the products listed in this table are listed after this clause.
R16R-74ZKW (14) -S	14	2.4	
R16R-74ZKW4-S	9.7	3.5	
R16R-74ZKW4 (14) -S	14	3.5	

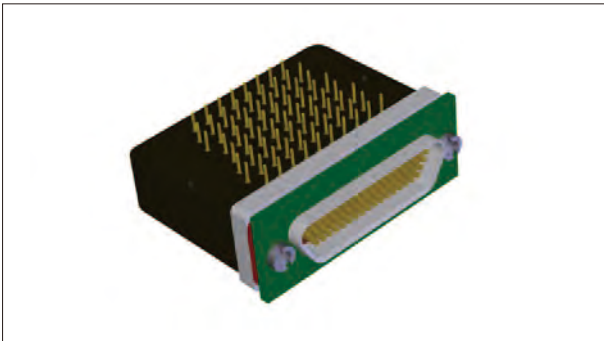
## R16R series micro rectangular electrical connector

### R16R-74 pin special right angle PCB products

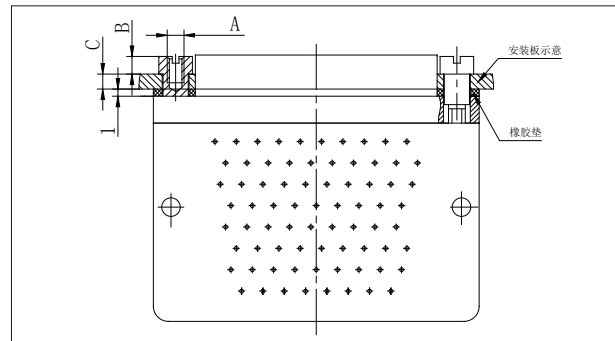
#### Locking components

R16R-74ZKW-S, R16R-74ZKW4-S, R16R-74ZKW (14) -S, R16R-74ZKW4 (14) -S and other types of products can be equipped with mounting screws in P4, P11 and other locking components. The product model is still added according to the locking component model, such as R16R-74ZKW-S equipped with P4 type mounting screws, the product model is R16R-74ZKWP4-S. See the table below for the mounting screws and applicable conditions of each model.

Assembly diagram



Outline dimension drawing



R16R-74ZKW-S and R16R-74ZKW4-S products are equipped with the following mounting screws:

R16R Fixed end locking assembly	Screw code	Thread size A	B	Mounting plate thickness C	Remark	Available R16R free end locking assembly
P	Ln8.919.034	M2-6H	4.7	No Mounting plate	without rubber mat	L、L7、L9、K type
P0	Ln8.919.077	M2-6H	4.1	0.6	without rubber mat	L、L7、L9、K type
P3	Ln8.919.078	M2-6H	3.3	1.4	without rubber mat	L、L7、L9、K type
P4	Ln8.919.057	M2-6H	2.5	2.2	without rubber mat	L、L7、L9、K type
P11	Ln8.919.076	M2-6H	1.3	3.4	without rubber mat	L、L7、L9、K type
P1	Ln8.919.027	#2-56UNC-2B	4.7	No Mounting plate	without rubber mat	L8、K1 type

R16R-74ZKW (14) -S and R16R-74ZKW4 (14) -S products are equipped with the following mounting screws:

R16R Fixed end locking assembly	Screw code	Thread size A	B	Mounting plate thickness C	Remark	Available R16R free end locking assembly
P4	Ln8.919.057	M2-6H	2.5	1.4~1.6	with rubber mat	L、L7、L9、K type
P11	Ln8.919.076	M2-6H	1.3	2.6~2.8	with rubber mat	L、L7、L9、K type

Note: Due to the special product structure, when the products listed above are shipped from the factory, the mounting holes are uniformly screwed in with the V1 type Ln8.919.080 mounting screws. When the user uses it, it is replaced on the product, and the replaced screw is no longer useful, and the user can discard it.

## R16R series micro rectangular electrical connector

### R16R-100 pin special right angle PCB products

Special right angle PCB products, the pin grid spacing is  $2.54 \times 2.54$ . Such products are only suitable for rear mounting, not front mounting.

Receptacle R16R-100ZKW-S, R16R-100ZKW (12) -S, R16R-100ZKW (14) -S,  
R16R00ZKW4-S, R16R-100ZKW4 (12) -S, R16R-100ZKW4 (14) -S

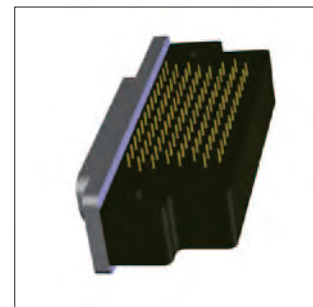
### Stereogram



R16R-100ZKW-S

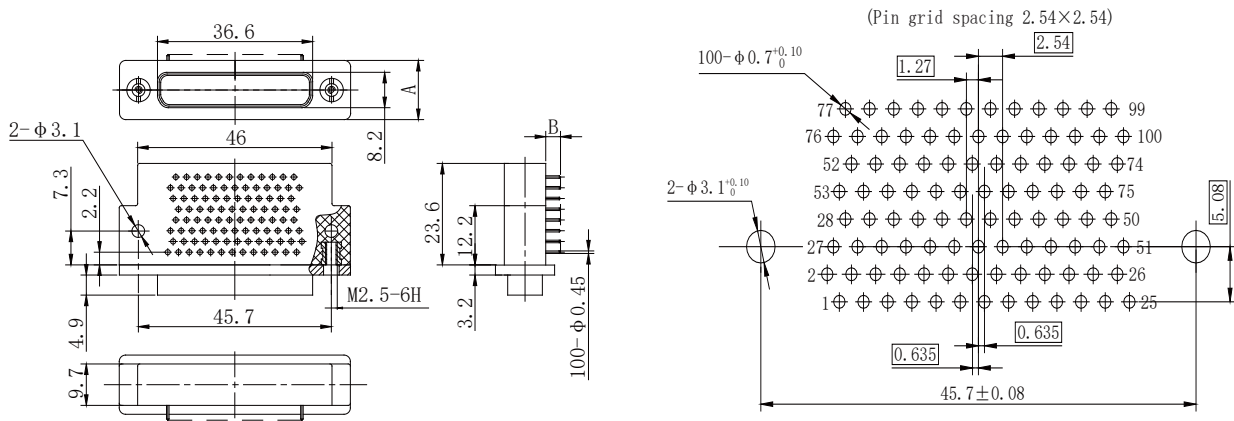


R16R-100ZKW4 (12) -S



R16R-100ZKW (14) -S

### Outline dimension drawing



P/N	A	B
R16R-100ZKW-S	9.7	2.4
R16R-100ZKW (12) -S	12	2.4
R16R-100ZKW (14) -S	14	2.4
R16R-100ZKW4-S	9.7	3.5
R16R-100ZKW4 (12) -SJ30J-	12	3.5
R16R-100ZKW4 (14) -S	14	3.5

Note: The locking components used in the products listed in the above table are in a special state, mainly including P16, P26, P34, P39, P12, etc. The three-dimensional assembly drawings and external dimensions of these locking components are listed after this clause .



## R16R series micro rectangular electrical connector

### R16R-100 pin special right angle PCB products

Locking components

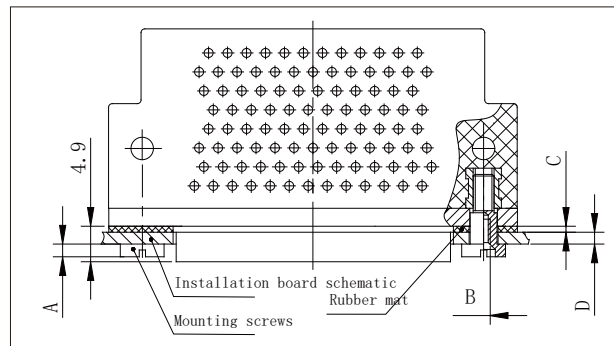
R16R-100ZKW-S、R16R-100ZKW4-S、R16R-100ZKW ( 12 ) -S、R16R-100ZKW4 ( 12 ) -S、R16R -100ZKW

(14) -S, R16R-100ZKW4 (14) -S and other products can be equipped with P16, P26, P34, P39, P12 and other locking components. The product model is determined according to the state of the locking component model after joining, for example, R16R-100ZKW4 (14) -S is equipped with P16 type mounting screws and the product model is R16R-100ZKW4 (14) P16-S. The rest are similar.

Assembly diagram



Outline dimension drawing



#### ■ P16、P26、P34、P39、P12 Locking components

R16R Fixed end locking assembly	A	B	Rubber pad thickness C	Mounting plate thickness D	Note	Available R16R free end locking assembly
P16 type	1.6	#4-40UNC-2B	1	2~2.4	with rubber pad	L2、L3 type
P26 type	1.6	M2.5-6H	---	2.8	without rubber pad	L、L7、L9、K type
P34 type	3	#4-40UNC-2B	1	1.8~2	with rubber pad	L2、L3 type
P39 type	3	M2-6H	---	1.6~1.8	without rubber pad	L、L7、L9、K type
P12 type	4.1	#4-40UNC-2B	---	0.6~0.8	without rubber pad	L2、L3 type

Note: Due to the special product structure, when the products listed above are shipped from the factory, the mounting holes are uniformly screwed in with GB818 M2.5 × 6 stainless steel screws, and the mounting screws specified in the product model are packaged separately and shipped with the connector. When the user uses it, it is replaced on the product, and the replaced screw is no longer useful, and the user can discard it.



## R16R series micro rectangular electrical connector

### R16R series with guide R16R- × ZK-I receptacle and J30J- × TJ-M plug product

R16R- × ZK-I socket with positioning guide sleeve, R16R- × TJ-M plug with positioning guide post; R16R- × ZK-I socket and the corresponding number of R16R- × TJ-M plugs must be used together, with good Positioning guidance function.

Contacts : 9、15、21、25、31、37、51、66、74、100。

### Stereogram

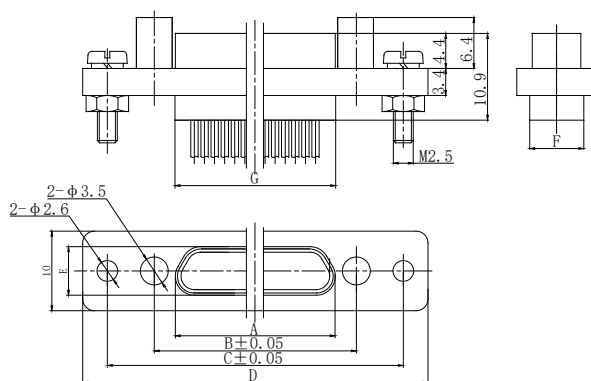


R16R - xZK-I ( 9 Pin as an example )



R16R-xTJ-M ( 9 Pin as an example )

### Outline dimension drawing



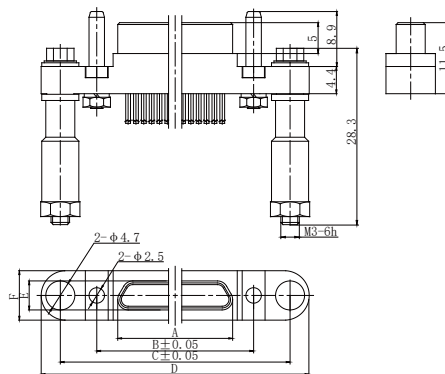
R16R-xZK-I

Size	A	B	C	D	E	F	G
R16R-9ZK-I	9.8	15.1	26.9	33.1	6.1	6.8	9.9
R16R-15 ZK-I	13.7	19.1	30.9	37.1	6.1	6.8	13.8
R16R-21 ZK-I	17.4	22.8	34.6	40.8	6.1	6.8	17.6
R16R-25 ZK-I	20	25.4	37.2	43.4	6.1	6.8	20.2
R16R-31 ZK-I	23.8	29.2	41	47.2	6.1	6.8	24
R16R-37 ZK-I	27.7	33	45.3	50	6.1	6.8	27.8
R16R-51 ZK-I	26.5	31.8	43.6	50	7.2	7.9	26.6
R16R-66 ZK-I	32.9	38.3	50.1	56.5	7.2	7.9	33
R16R-74 ZK-I	29	34.3	46.1	52.5	8.3	9.1	29.1
R16R-100ZK-I	36.6	41.9	53.7	60	8.2	9.1	36.65



## R16R series micro rectangular electrical connector

### Outline dimension drawing



R16R-xTJ-M

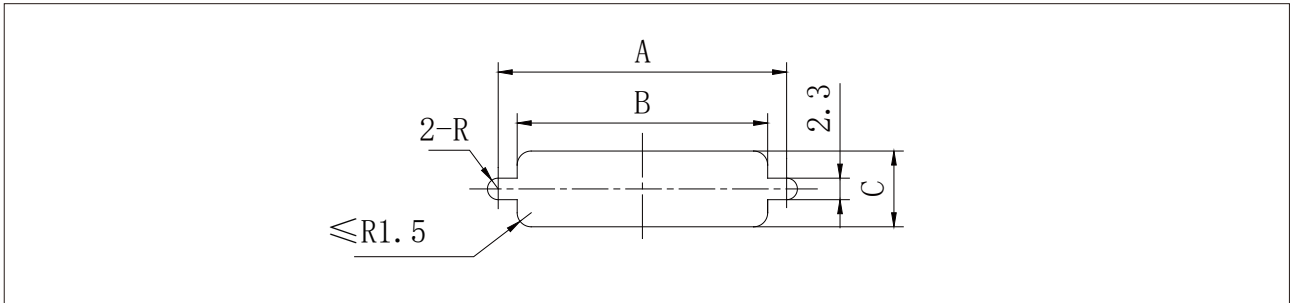
Size	A	B	C	D	E	F
R16R-9TJ-M	8.3	15.1	26.9	33.1	4.7	8
R16R-15TJ-M	12.3	19.1	30.9	37.1	4.7	8
R16R-21TJ-M	16	22.8	34.6	40.8	4.7	8
R16R-25TJ-M	18.6	25.4	37.2	43.4	4.7	8
R16R-31TJ-M	22.4	29.2	41	47.2	4.7	8
R16R-37TJ-M	26.3	33	44.8	51	4.7	8
R16R-51TJ-M	25	31.8	43.6	50	5.8	10
R16R-66TJ-M	31.4	38.3	50.1	56.5	5.8	10
R16R-74TJ-M	27.5	34.3	46.1	52.5	6.8	10
R16R-100TJ-M	35	41.9	53.7	60	6.8	10

## R16R series micro rectangular electrical connector

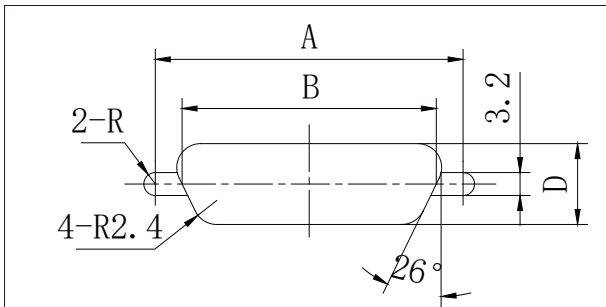
### R16R series micro rectangular electrical connector\Mounting cutout dimensions

R16R-TJ/ZK R16R-TJ/ZK-D R16R-TJ/ZK-G R16R-TJ/ZK(9.6) R16R-TJ/ZK(11.6)  
 R16R-TJ/ZK(0.07) R16RC-TJ/ZK R16RM-ZK R16RM-ZKS R16RM1-ZKS

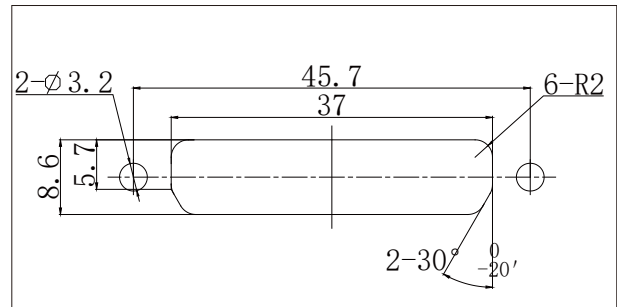
#### Mounting cutout dimensions



#### Front mounting cutout dimensions



Rear mounting cutout dimensions ( Except for 100 Pin )



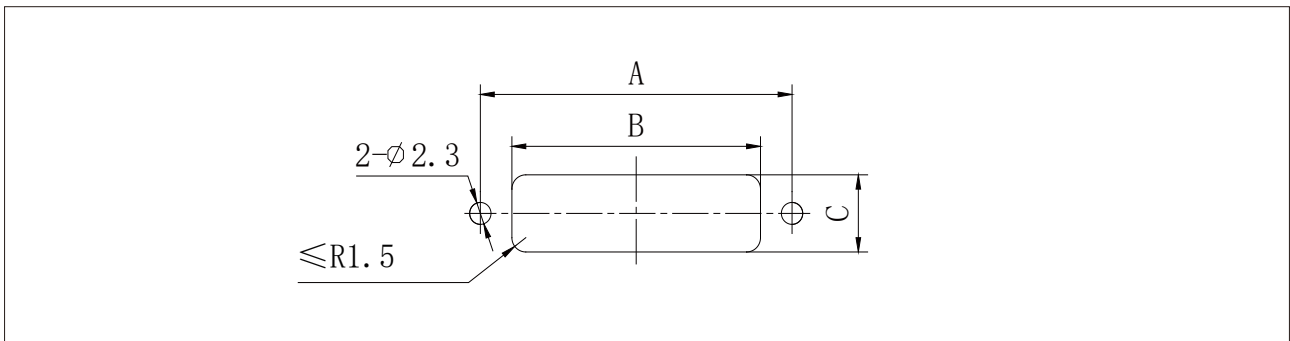
100 Pin Rear mounting cutout dimensions

Contact Number	A	B	C	D	Contact Number	A	B	C	D
9 pin	14.3	10.2	7	6.3	37 pin	32.2	28.1	7	6.3
15 pin	18.2	14.1	7	6.3	51 pin	30.86	26.9	8.1	7.4
21 pin	22	17.9	7	6.3	66 pin	37.3	33.4	8.1	7.4
25 pin	24.5	20.5	7	6.3	74 pin	33.5	29.4	9.3	8.6
31 pin	28.3	24.3	7	6.3	100 pin	45.7	37	9.3	/

Note: Since R16RM-ZK, R16RM-ZKS, R16RM1-ZK are all sealed products, although the mounting plate openings can achieve product installation as shown above, it may be lost due to the through plate. To this end, these products should be installed in the form of blind threaded holes for mounting plate openings in front of the board.

R16R-TJ/ZK-Q, R16R-TJ/ZK-GQ, R16RC-ZK-Q

#### Mounting cutout dimensions

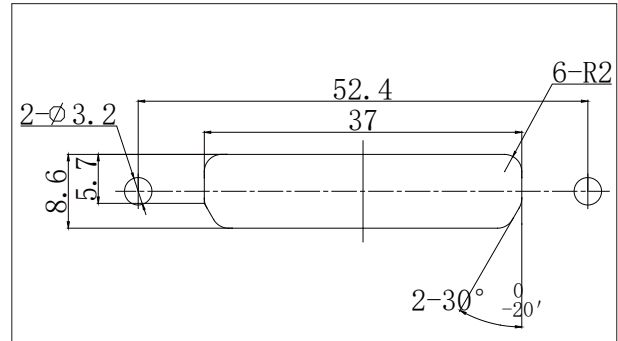
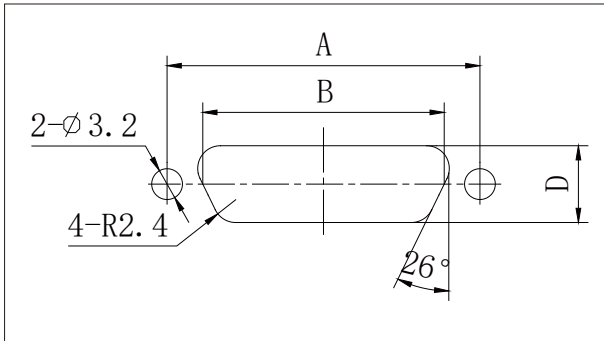


#### Front mounting cutout dimensions



## R16R series micro rectangular electrical connector

### Mounting cutout dimensions



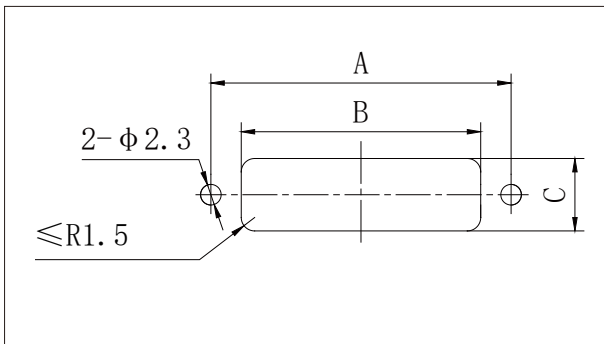
Rear mounting cutout dimensions ( Except for 100 Pin )

100 Pin Rear mounting cutout dimensions

Contact Number	A	B	C	D	Contact Number	A	B	C	D
9 Pin	21	10.2	7	6.3	37 Pin	38.9	28.1	7	6.3
15 Pin	24.9	14.1	7	6.3	51 Pin	37.6	26.9	8.1	7.4
21 Pin	28.7	17.9	7	6.3	66 Pin	44	33.4	8.1	7.4
25 Pin	31.2	20.5	7	6.3	74 Pin	40.2	29.4	9.3	8.6
31 Pin	35	24.3	7	6.3	100 Pin	52.4	37	9.3	/

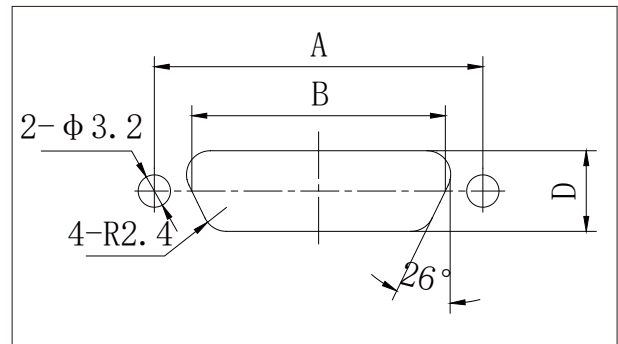
### R16R-TJ/ZK-Q8

### Mounting cutout dimensions



Front mounting cutout dimensions

### Mounting cutout dimensions



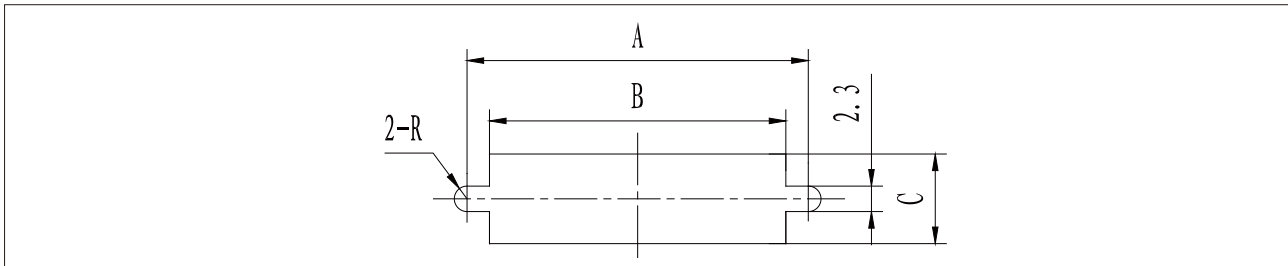
Rear mounting cutout dimensions

Contact Number	A	B	C	D	Contact Number	A	B	C	D
9 Pin	16.1	12	7	6.3	31 Pin	30.1	26.1	7	6.3
15 Pin	20	15.9	7	6.3	37 Pin	34	29.9	7	6.3
21 Pin	23.8	19.7	7	6.3	51 Pin	32.6	28.7	8.1	7.4
25 Pin	26.3	22.3	7	6.3					

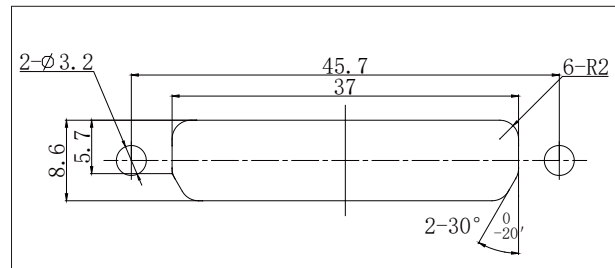
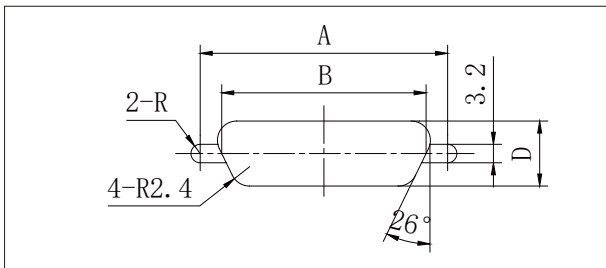
## R16R series micro rectangular electrical connector

R16R-TJ/ZK-A R16R-TJ/ZK-AD R16R-TJ/ZK-GA  
 R16R-TJ/ZK-A(9.6) R16R-TJ/ZK-GA(11.6) R16R-TJ/ZK-AD(11.6)

### Mounting cutout dimensions



### Front mounting cutout dimensions



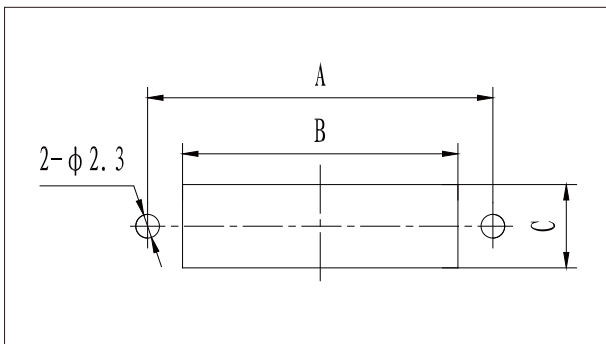
Rear mounting cutout dimensions ( Except for 100 Pin )

100 Pin Rear mounting cutout dimensions

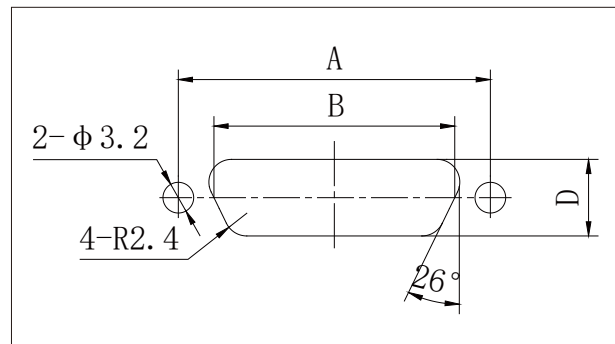
Contact Number	A	B	C	D	Contact Number	A	B	C	D
9 Pin	14.3	10.2	8.2	6.3	37 Pin	32.2	28.1	8.2	6.3
15 Pin	18.2	14.1	8.2	6.3	51 Pin	30.86	26.9	9.2	7.4
21 Pin	22	17.9	8.2	6.3	66 Pin	37.3	33.4	9.2	7.4
25 Pin	24.5	20.5	8.2	6.3	74 Pin	33.5	29.4	11.2	8.6
31 Pin	28.3	24.3	8.2	6.3	100 Pin	45.7	37	11.2	/

### R16R-TJ/ZK-AQ8

### Mounting cutout dimensions



### Mounting cutout dimensions



### Front mounting cutout dimensions

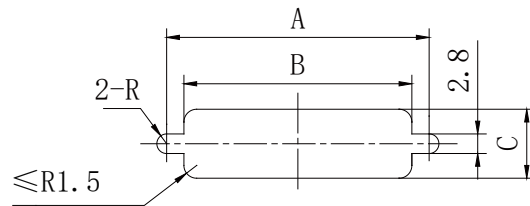
### Rear mounting cutout dimensions

Contact Number	A	B	C	D	Contact Number	A	B	C	D
9 Pin	16.1	10.2	8.2	6.3	31 Pin	30.1	24.3	8.2	6.3
15 Pin	20	14.1	8.2	6.3	37 Pin	34	28.1	8.2	6.3
21 Pin	23.8	17.9	8.2	6.3	51 Pin	32.6	26.9	9.2	7.4
25 Pin	26.3	20.5	8.2	6.3					

## R16R series micro rectangular electrical connector

### R16RA-ZK

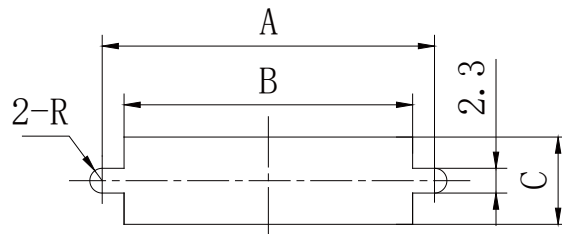
#### Front mounting cutout dimensions



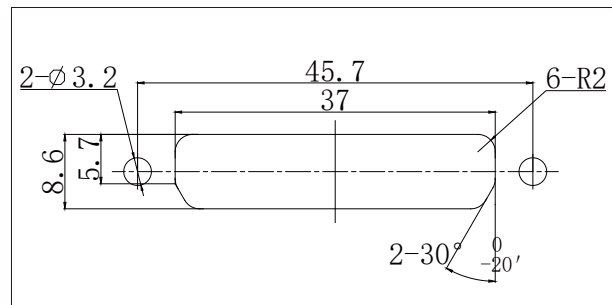
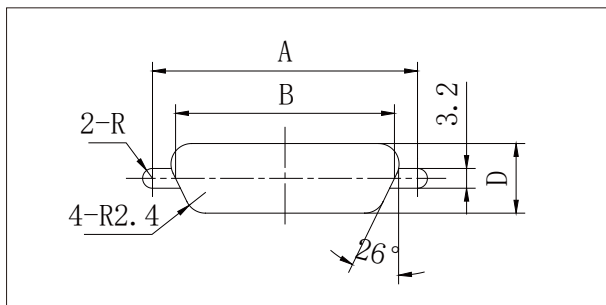
Contact Number	A	B	C	Contact Number	A	B	C
9 Pin	18.6	10.2	7	51 Pin	35.3	26.9	8.1
15 Pin	22.6	14.1	7	66 Pin	41.7	33.5	8.1
21 Pin	26.3	17.9	7	74 Pin	37.8	29.4	9.3
25 Pin	28.9	20.5	7	100 Pin	45.3	37	9.3
31 Pin	32.7	24.3	7	144 Pin	59.3	51	9.3
37 Pin	36.6	28.1	7				

### R16R-TJ/ZK-C

#### Mounting cutout dimensions



#### Front mounting cutout dimensions



#### Rear mounting cutout dimensions ( Except for 100 Pin )

Contact Number	A	B	C	D
9 Pin	14.3	10.2	8.2	6.3
15 Pin	18.2	14.1	8.2	6.3
21 Pin	22	17.9	8.2	6.3
25 Pin	24.5	20.5	8.2	6.3
31 Pin	28.3	24.3	8.2	6.3

#### 100 Pin Rear mounting cutout dimensions

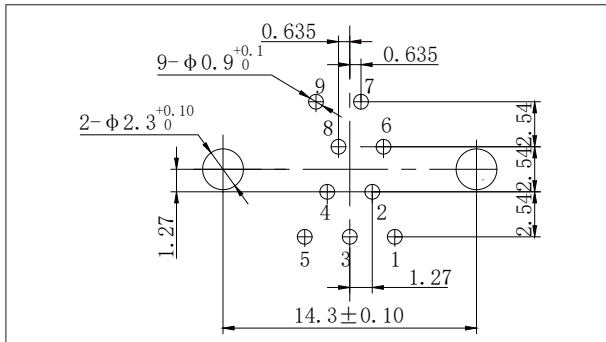
Contact Number	A	B	C	D
37 Pin	32.2	28.1	8.2	6.3
51 Pin	30.86	26.9	9.3	7.4
66 Pin	37.3	33.4	9.3	7.4
74 Pin	33.5	29.4	10.3	8.6
100 Pin	45.7	37	10.3	/

## R16R series micro rectangular electrical connector

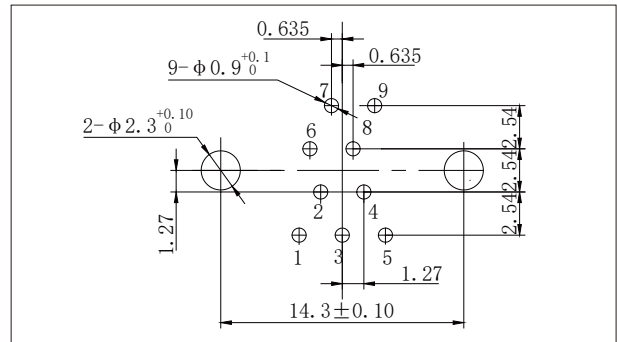
### R16R series micro rectangular electrical connector\PCB mounting cutout dimensions

R16R Straight PCB N, N3, N4, N8 type

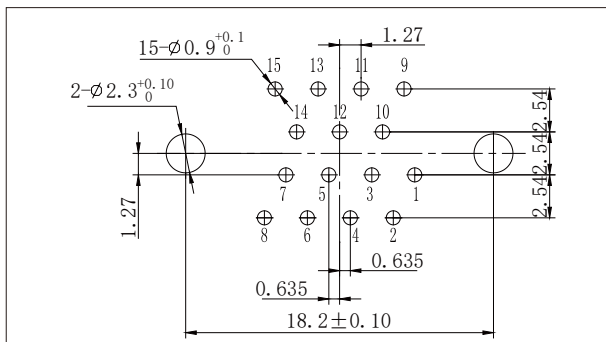
#### PCB mounting cutout dimensions drawing



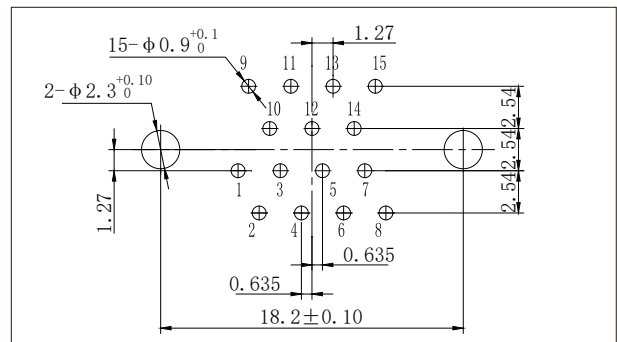
R16R-9TJN, TJN4, TJN8



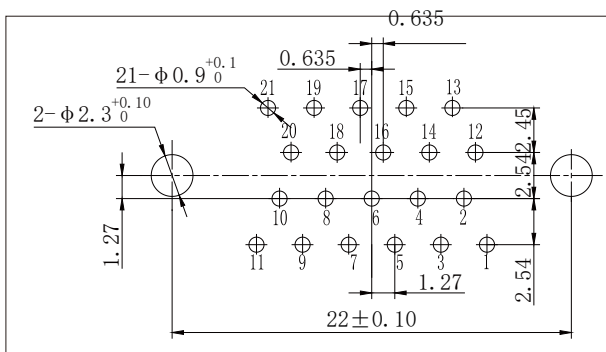
R16R-9ZKN, ZKN3, ZKN4



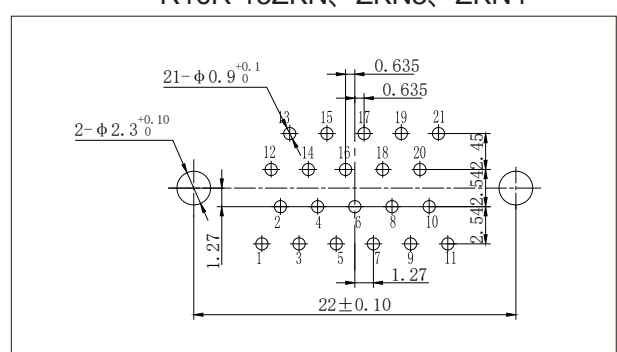
R16R-15TJN, TJN4, TJN8



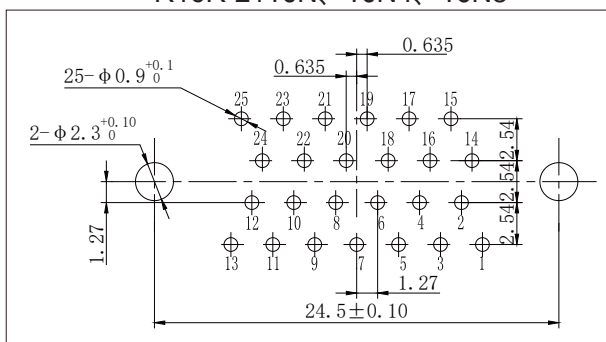
R16R-15ZKN, ZKN3, ZKN4



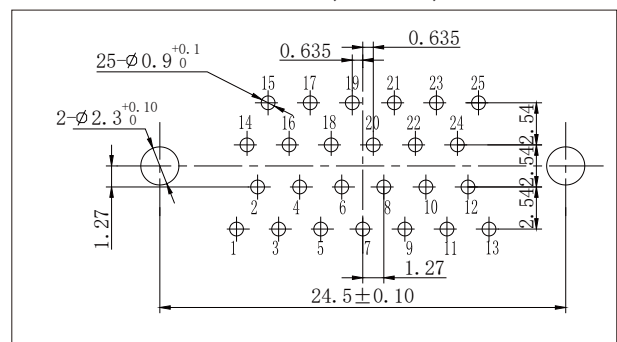
R16R-21TJN, TJN4, TJN8



R16R-21ZKN, ZKN3, ZKN4



R16R-25TJN, TJN4, TJN8

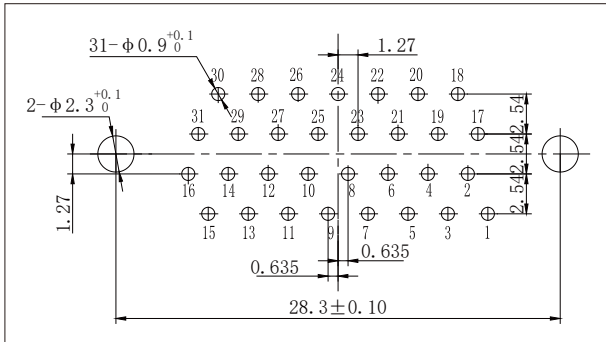


R16R-25ZKN, ZKN3, ZKN4

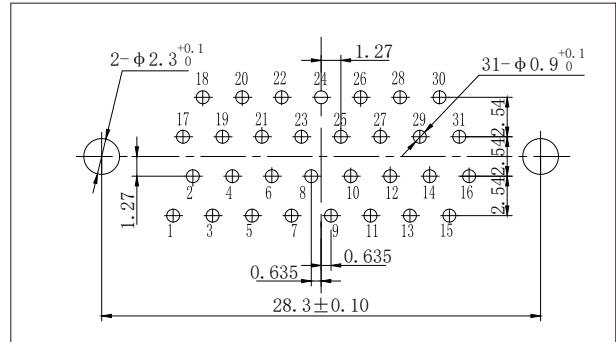


## R16R series micro rectangular electrical connector

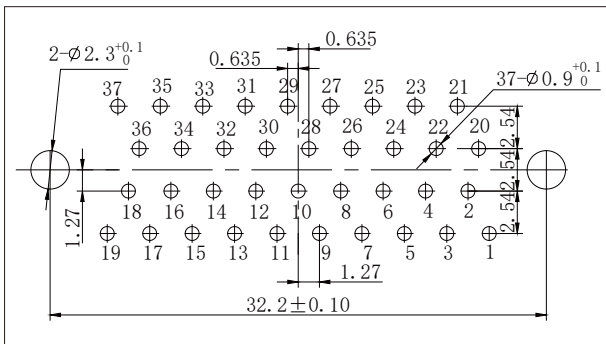
### PCB mounting cutout dimensions drawing



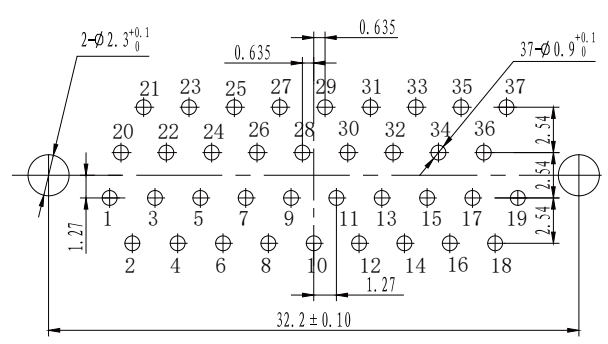
R16R-31TJN, TJN4, TJN8



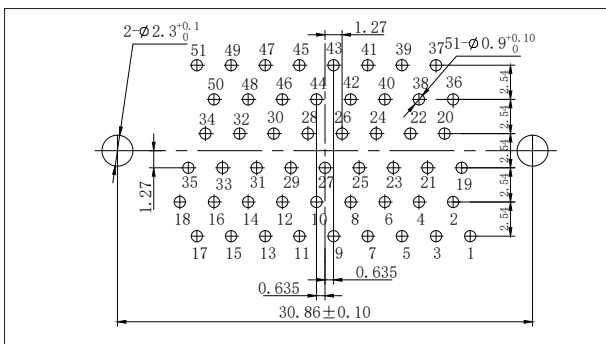
R16R-31ZKN, ZKN3, ZKN4



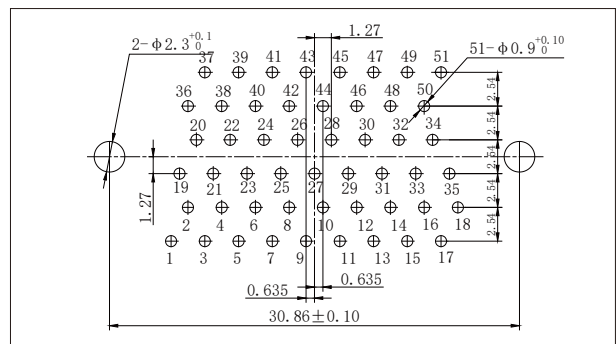
R16R-37TJN, TJN4, TJN8



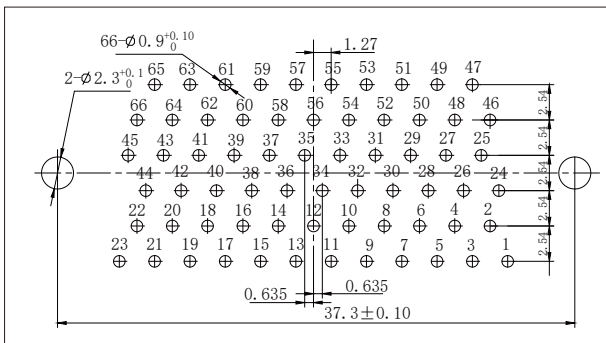
R16R-37ZKN, ZKN3, ZKN4



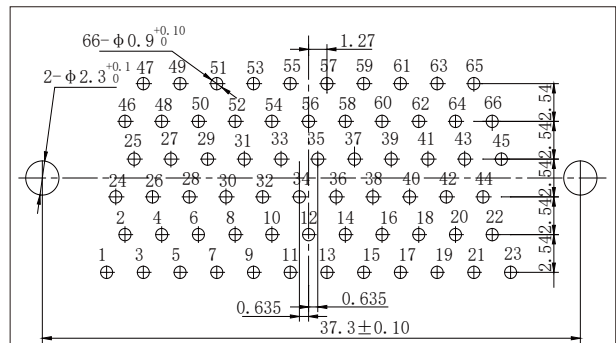
R16R-51TJN, TJN4



R16R-51ZKN, ZKN3, ZKN4



R16R-66TJN, TJN4



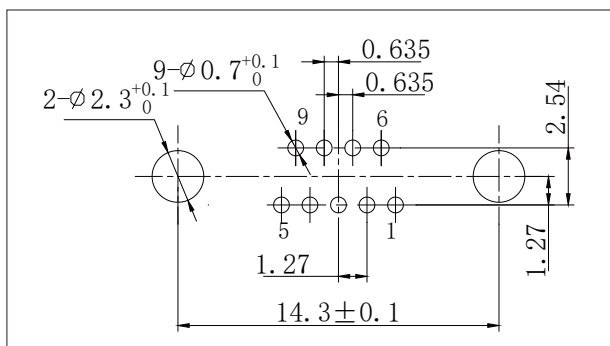
R16R-66ZKN, ZKN3, ZKN4

## R16R series micro rectangular electrical connector

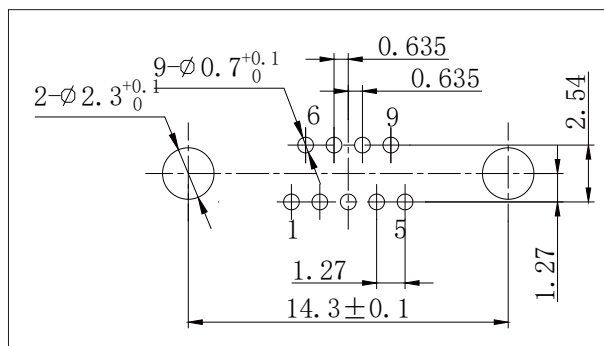
### R16R series micro rectangular electrical connector PCB mounting cutout dimensions

R16R Straight PCB N-J, N4-J type

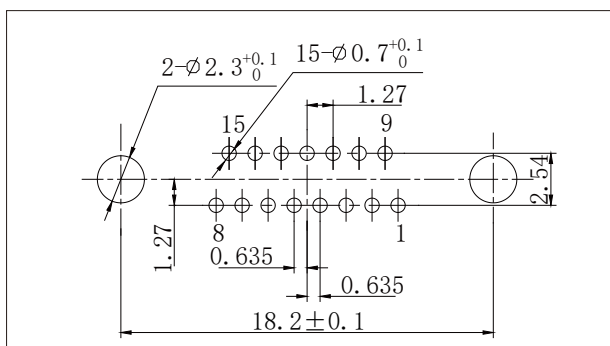
#### PCB mounting cutout dimensions drawing



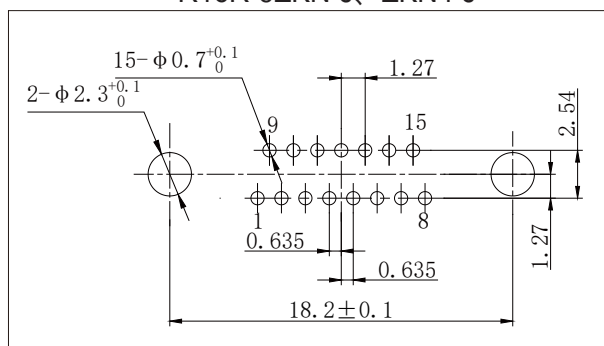
R16R-9TJN-J



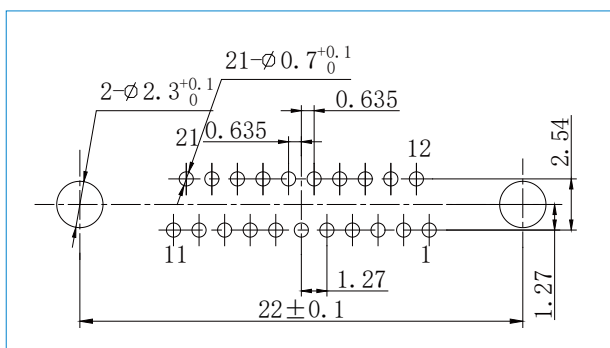
R16R-9ZKN-J, ZKN4-J



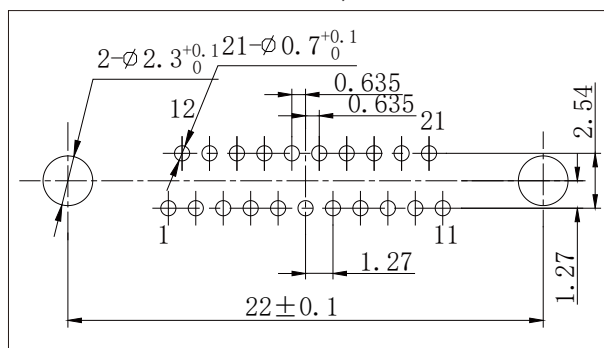
R16R-15TJN-J



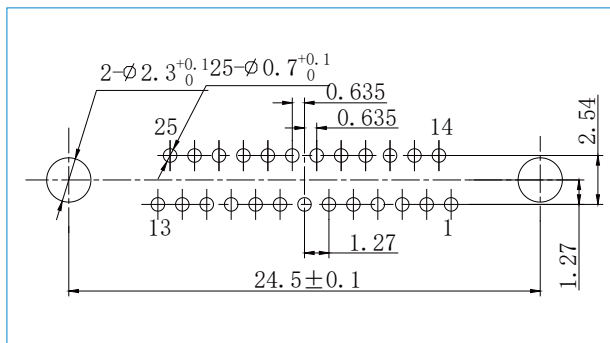
R16R-15ZKN-J, ZKN4-J



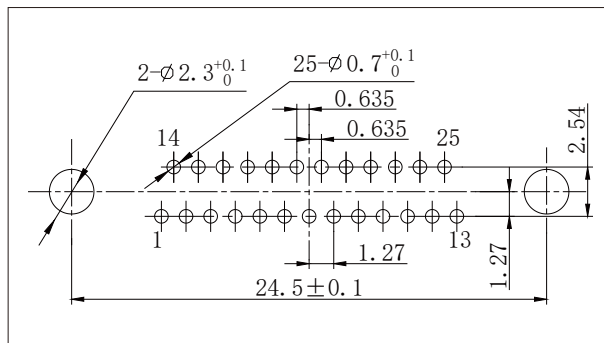
R16R-21TJN-J



R16R-21ZKN-J, ZKN4-J



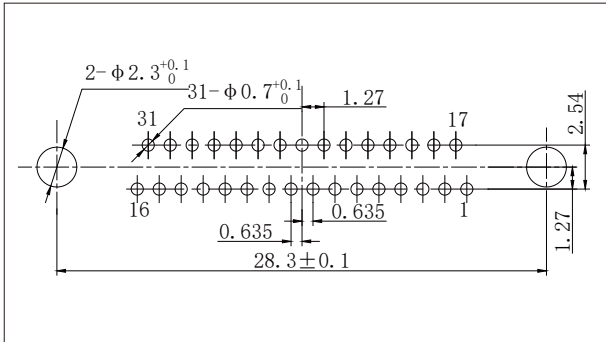
R16R-25TJN-J



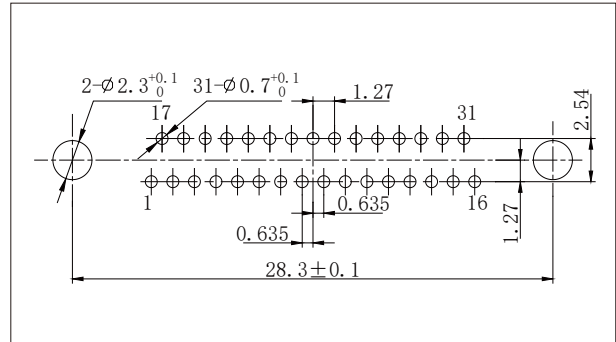
R16R-25ZKN-J, ZKN4-J

## R16R series micro rectangular electrical connector

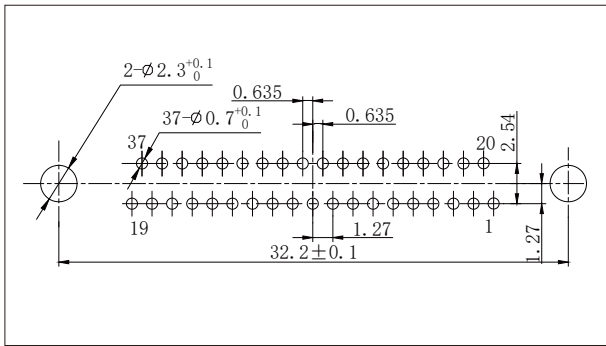
### PCB mounting cutout dimensions drawing



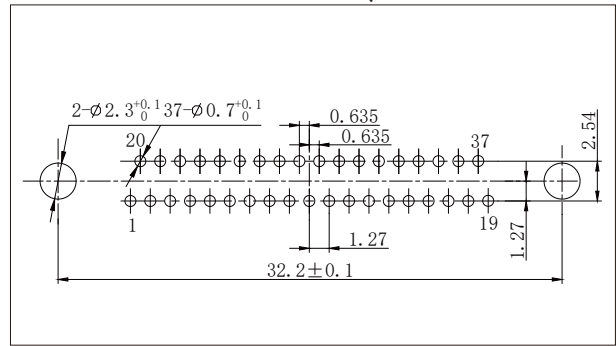
R16R-31TJN-J



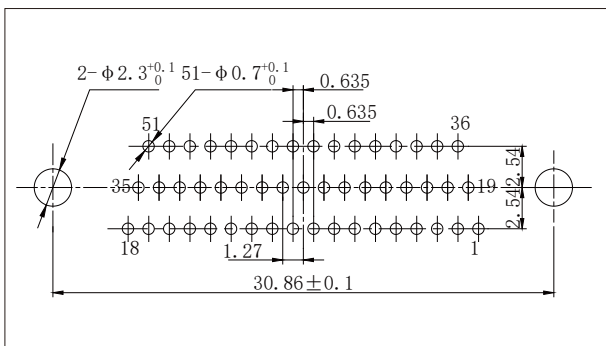
R16R-31ZKN-J, ZKN4-J



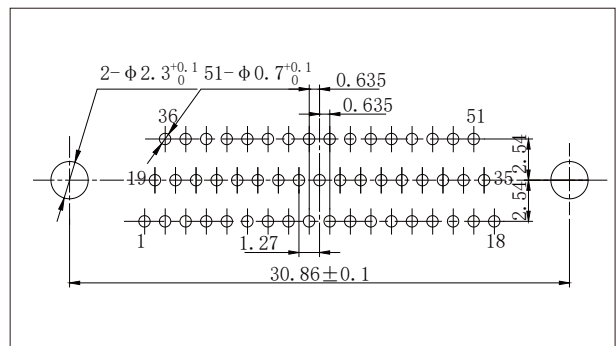
R16R-37TJN-J



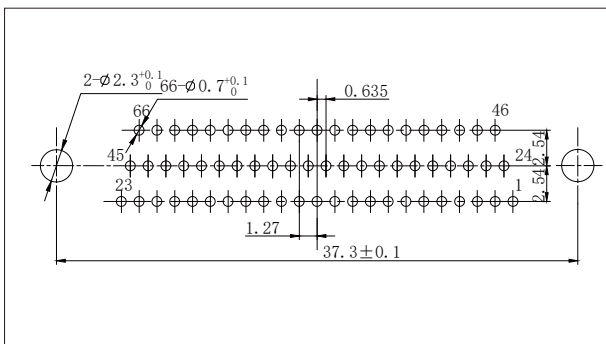
R16R-37ZKN-J, ZKN4-J



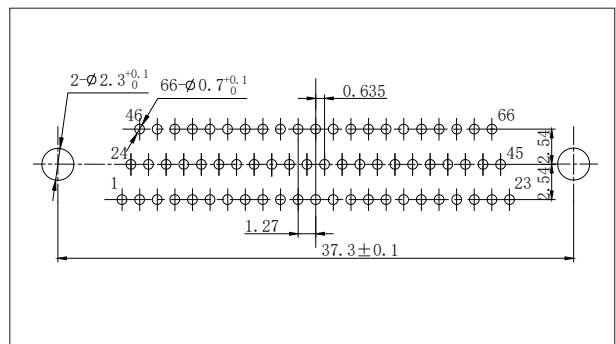
R16R-51TJN-J



R16R-51ZKN-J, ZKN4-J



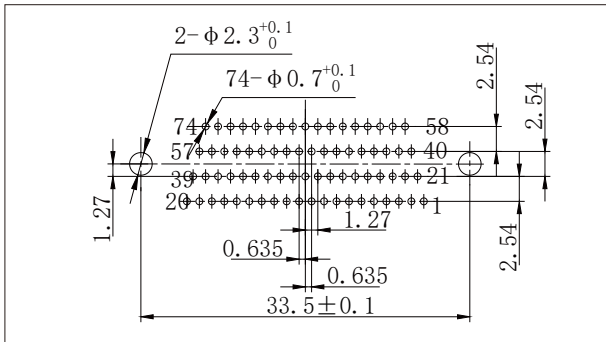
R16R-66TJN-J



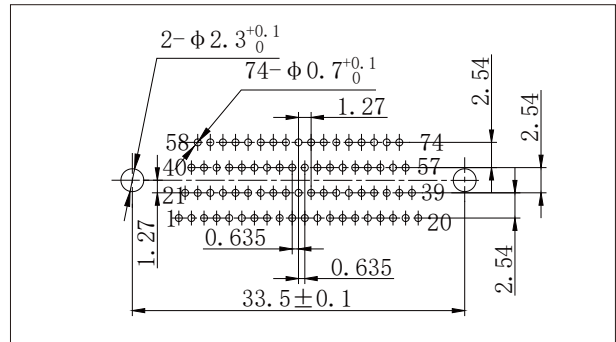
R16R-66ZKN-J, ZKN4-J

## R16R series micro rectangular electrical connector

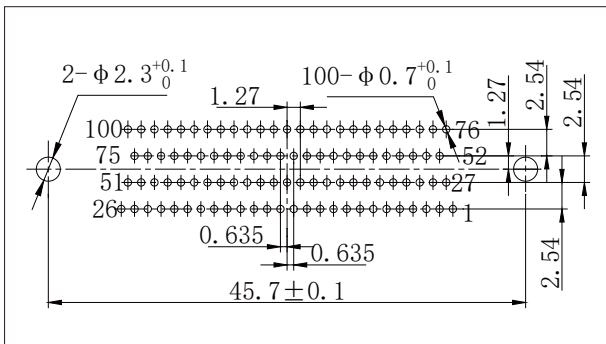
### PCB mounting cutout dimensions drawing



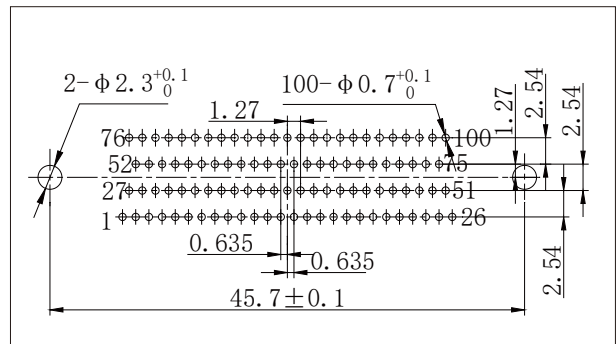
R16R-74TJN-J



R16R-74ZKN-J, ZKN4-J



R16R-100TJN-J



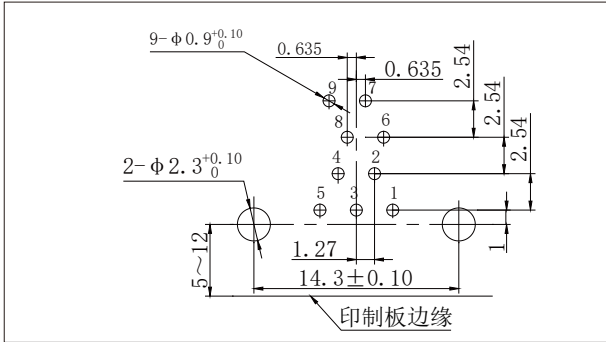
R16R-100ZKN-J, ZKN4-J

## R16R series micro rectangular electrical connector

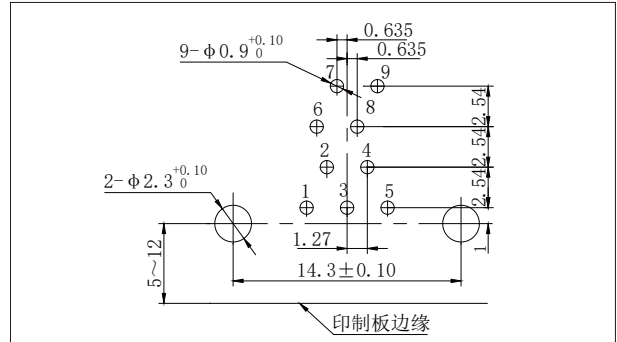
### R16R series micro rectangular electrical connector\PCB mounting cutout dimensions

R16R Right angle PCB W type

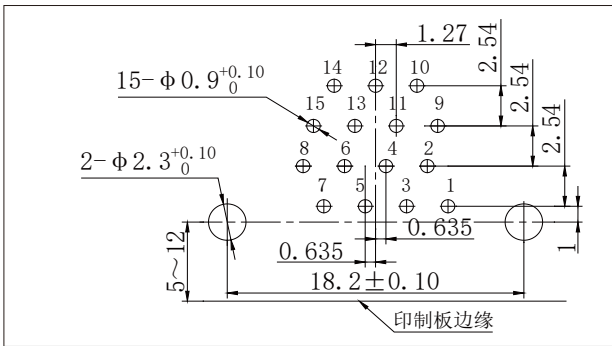
#### PCB mounting cutout dimensions drawing



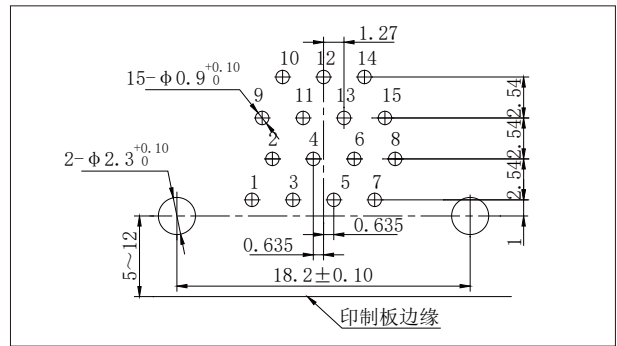
R16R-9TJW



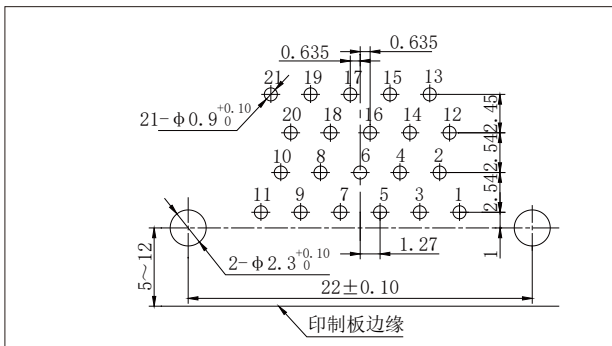
R16R-9ZKW



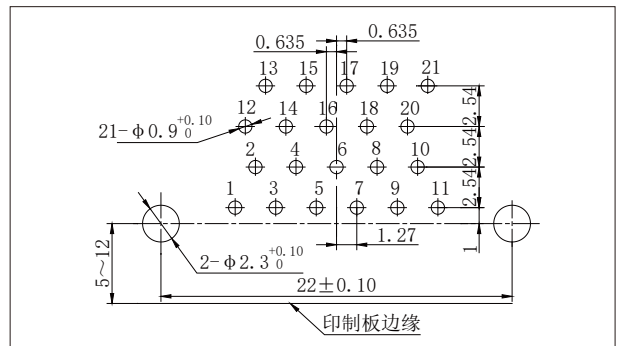
R16R-15TJW



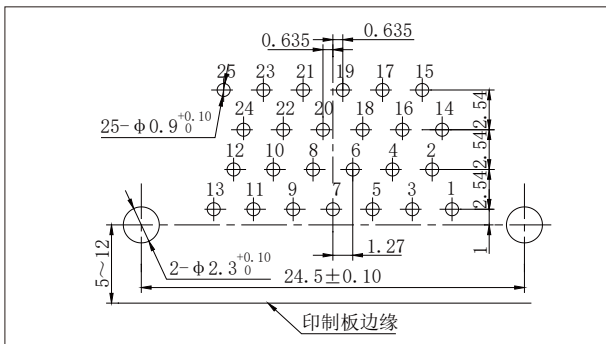
R16R-15ZKW



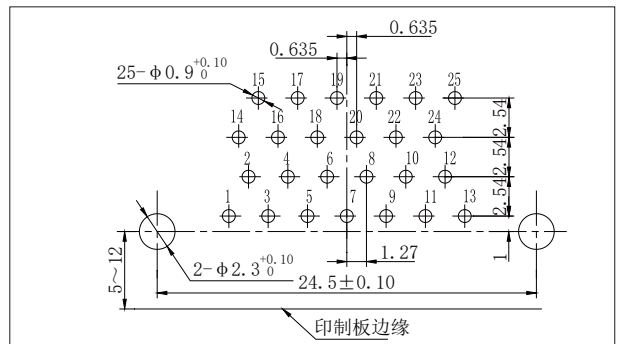
R16R-21TJW



R16R-21ZKW



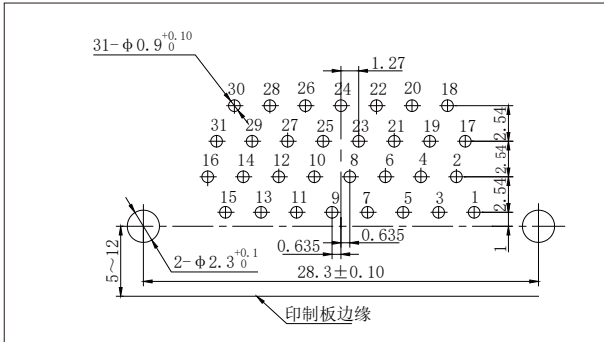
R16R-25TJW



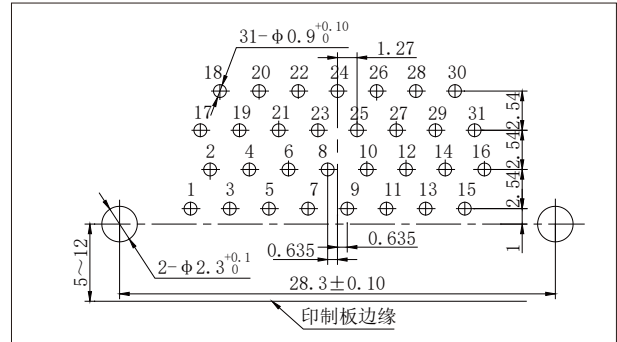
R16R-25ZKW

## R16R series micro rectangular electrical connector

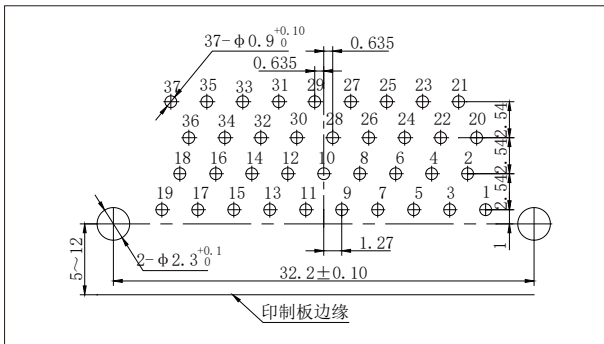
### PCB mounting cutout dimensions drawing



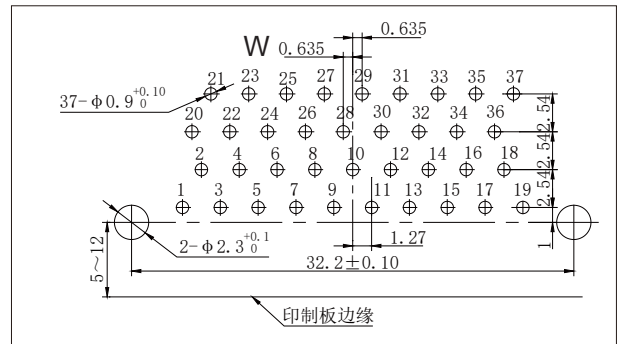
R16R-31TJW



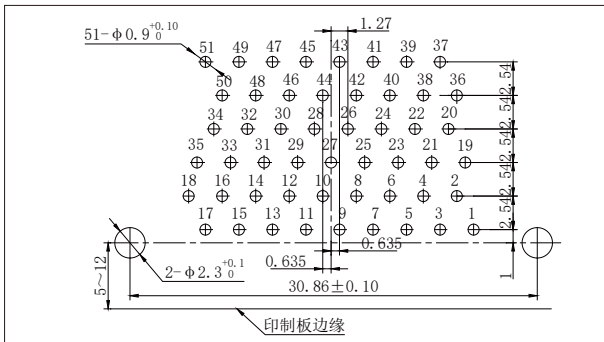
R16R-31ZK



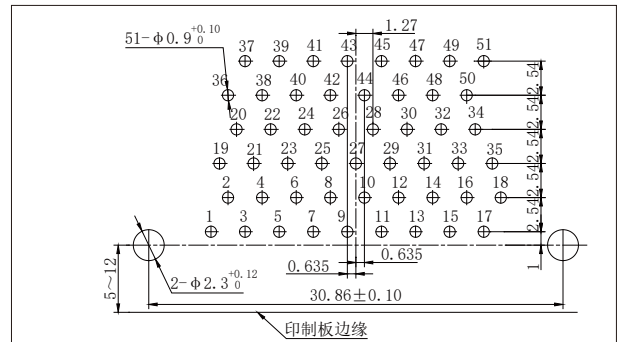
R16R-37TJW



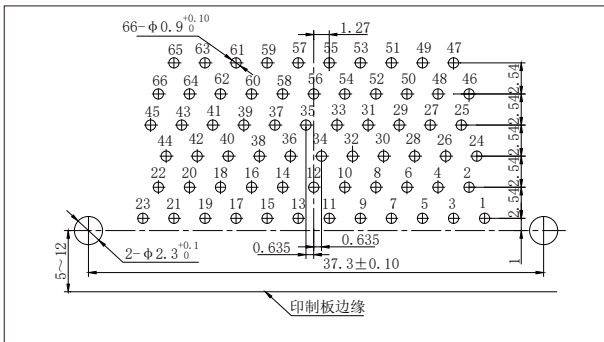
R16R-37ZKW



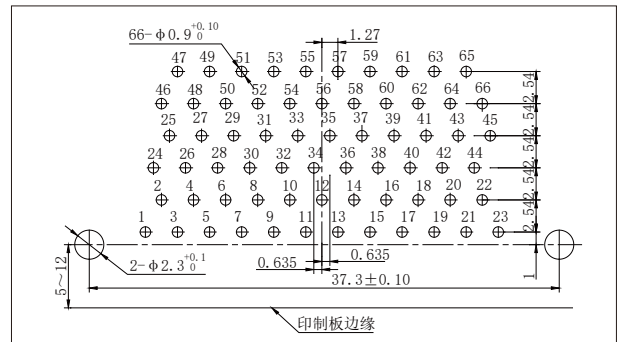
R16R-51TJW



R16R-51ZKW



R16R-66TJW



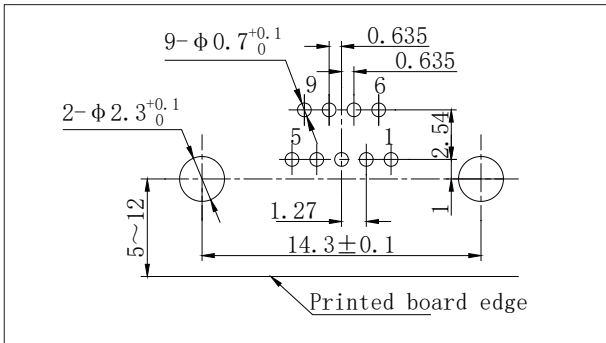
R16R-66ZKW

## R16R series micro rectangular electrical connector

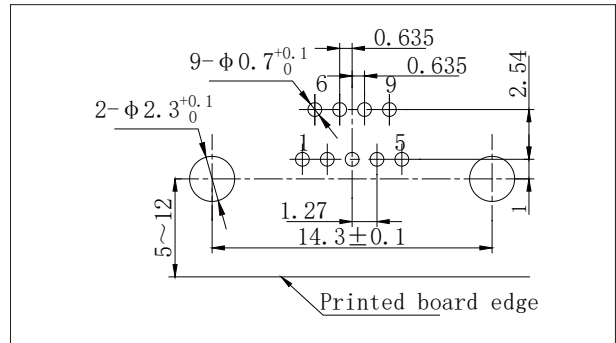
### R16R series micro rectangular electrical connector\PCB mounting cutout dimensions

R16R Right angle W-J type

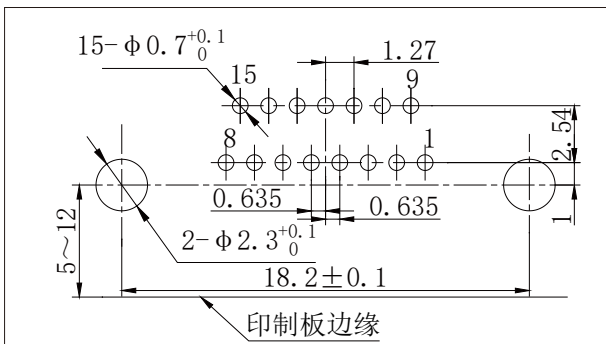
#### PCB mounting cutout dimensions drawing



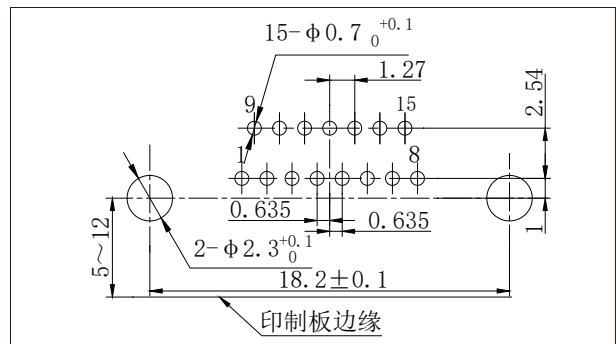
R16R-9TJW-J



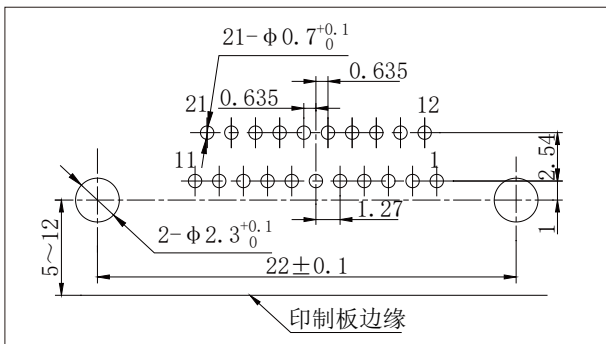
R16R-9ZKW-J



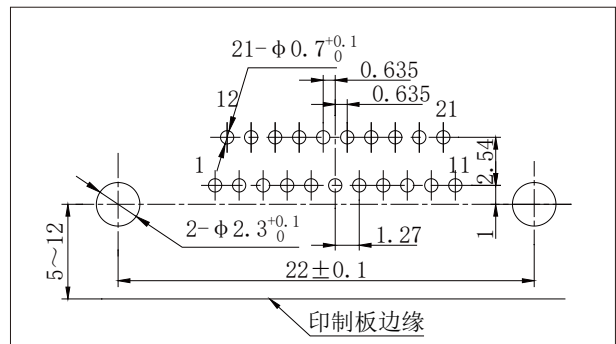
R16R-15TJW-J



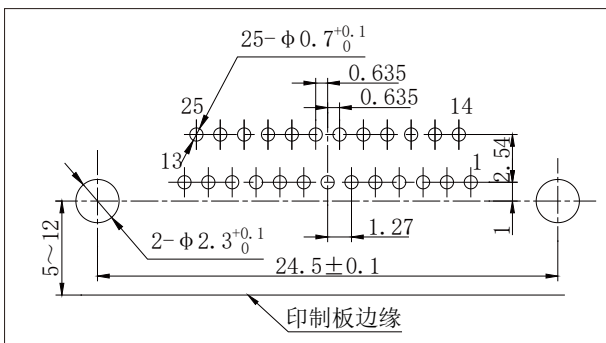
R16R-15ZKW-J



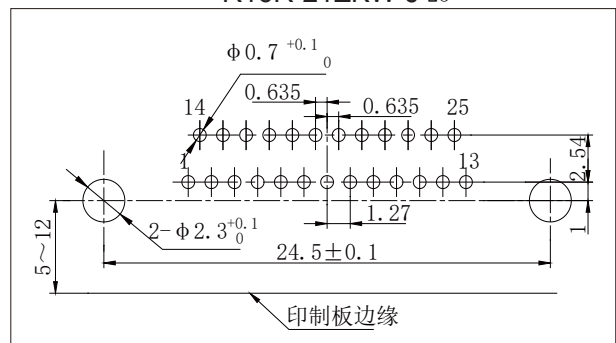
R16R-21TJW-J



R16R-21ZKW-J 25-



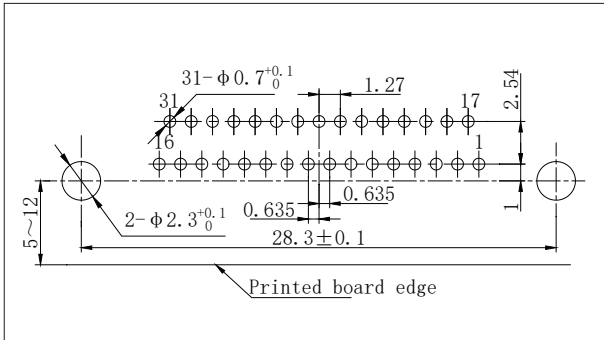
R16R-25TJW-J



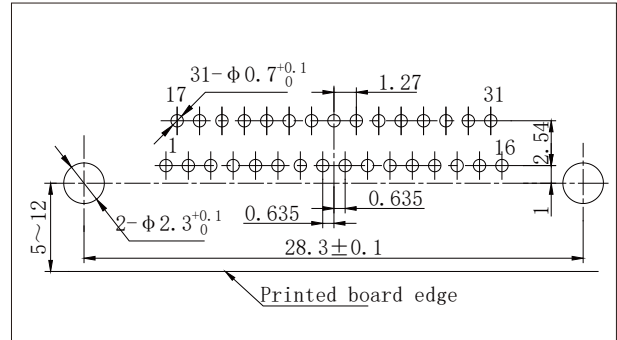
R16R-25ZKW-J

## R16R series micro rectangular electrical connector

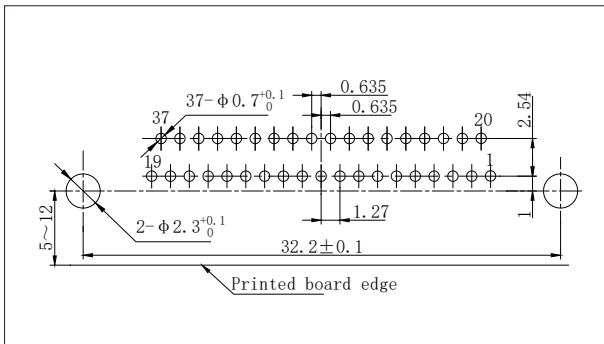
### PCB mounting cutout dimensions drawing



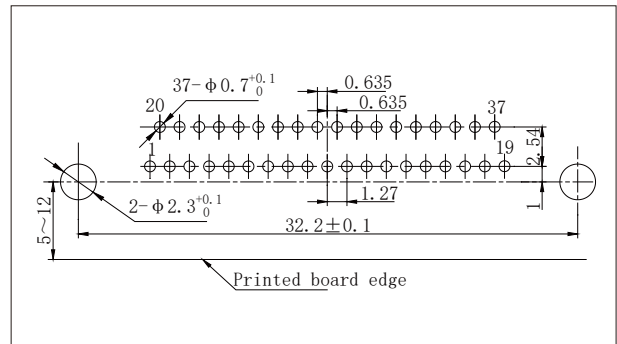
R16R-31TJW-J



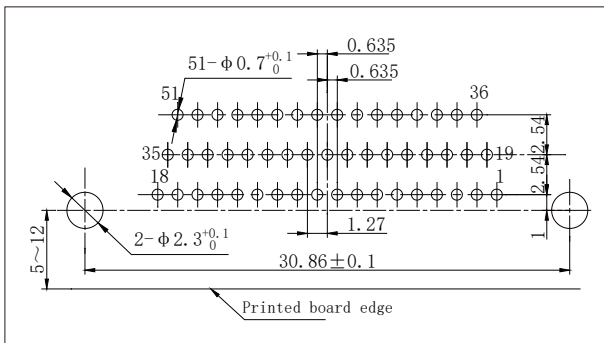
R16R-31ZKW-J



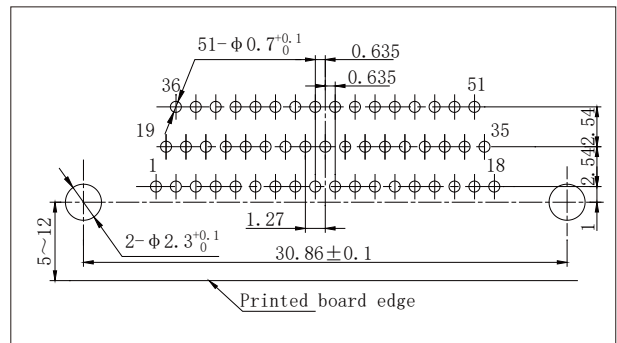
R16R-37TJW-J



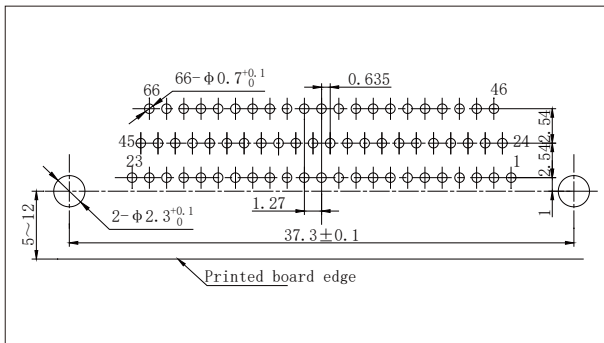
R16R-37ZKW-J



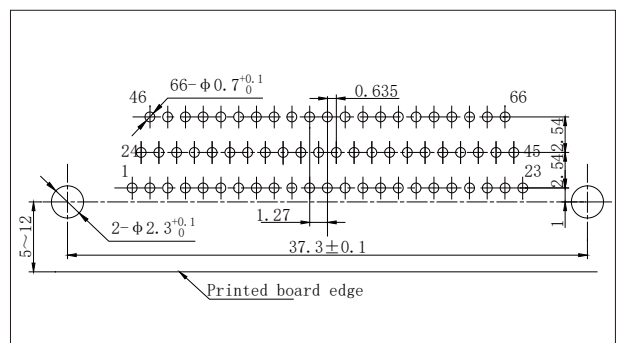
R16R-51TJW-J



R16R-51ZKW-J



R16R-66TJW-J

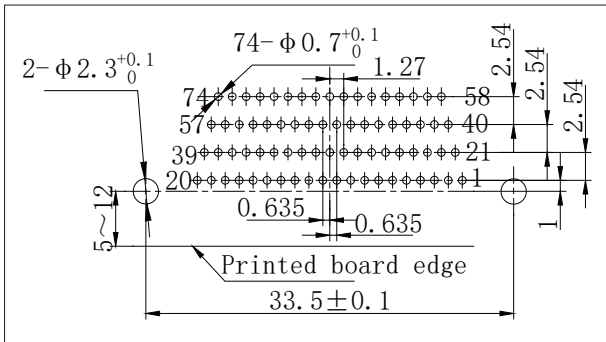


R16R-66ZKW-J

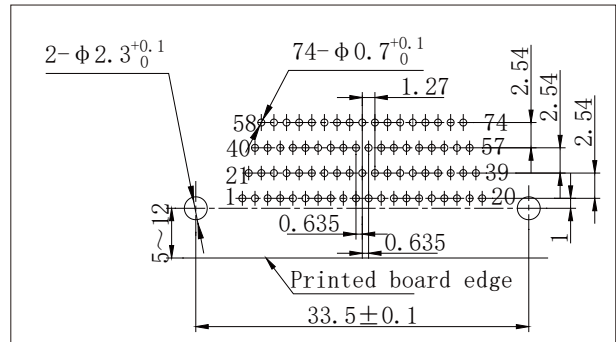


## R16R series micro rectangular electrical connector

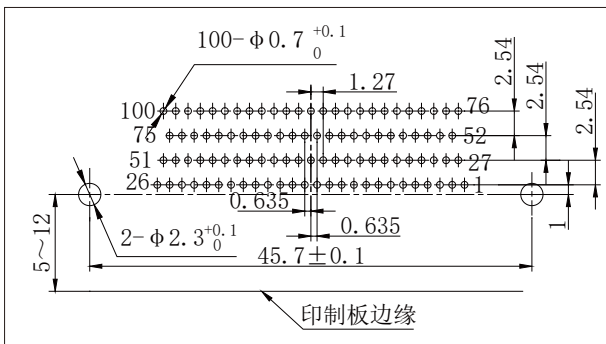
### PCB mounting cutout dimensions drawing



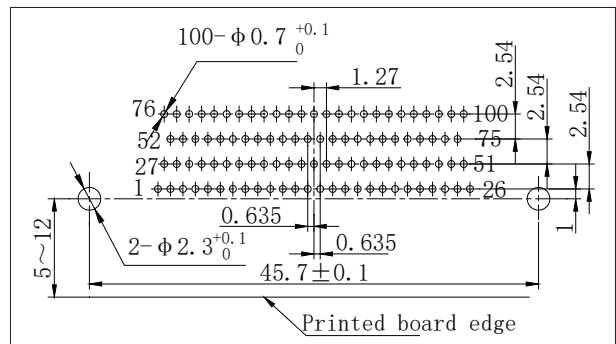
R16R-74TJW-J



R16R-74ZKW-J



R16R-100TJW-J



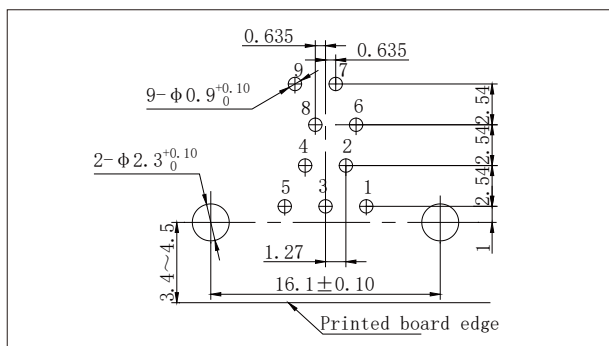
R16R-100ZKW-J

## R16R series micro rectangular electrical connector

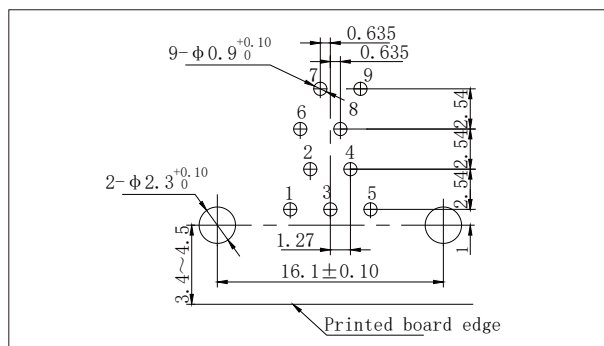
### R16R series micro rectangular electrical connector\PCB mounting cutout dimensions

R16R Right angle PCB W-Q8 type

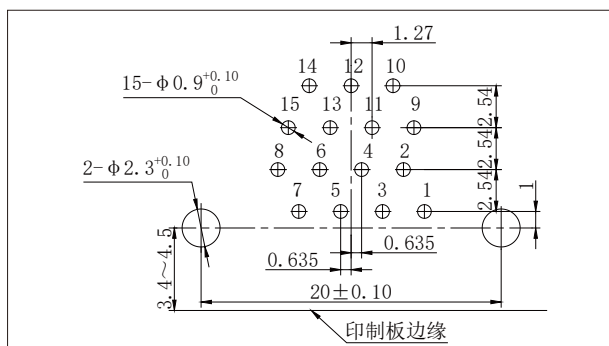
#### PCB mounting cutout dimensions drawing



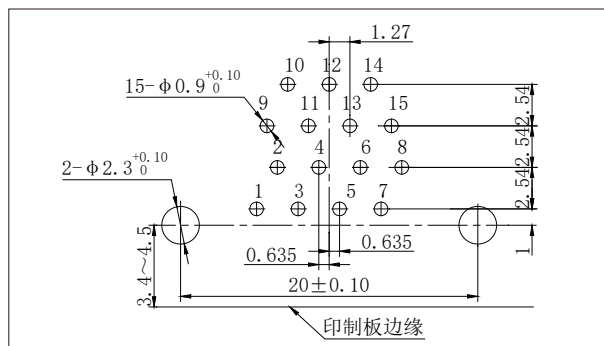
R16R-9TJW-Q8



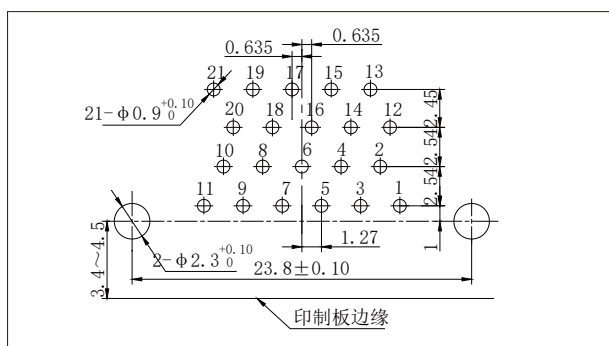
R16R-9ZKW-Q8



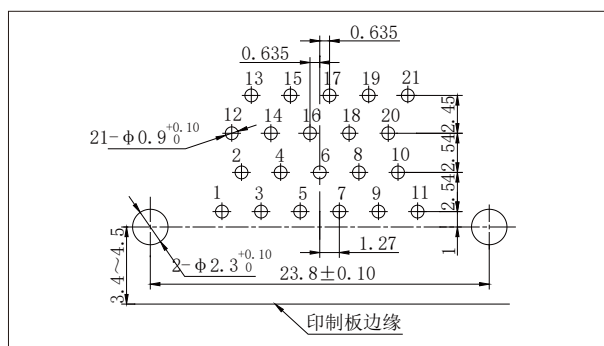
R16R-15TJW-Q8



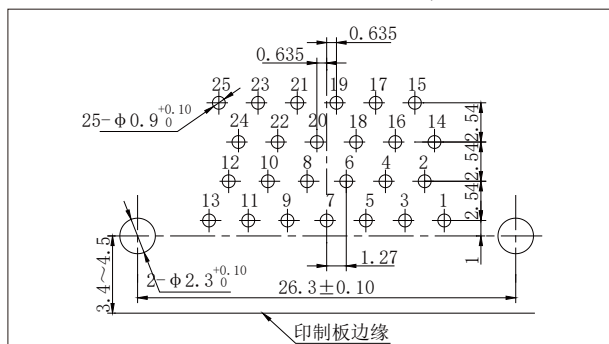
R16R-15ZKW-Q8



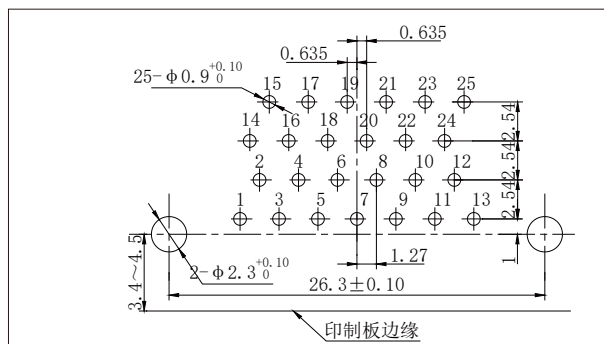
R16R-21TJW-Q8



R16R-21ZKW-Q8



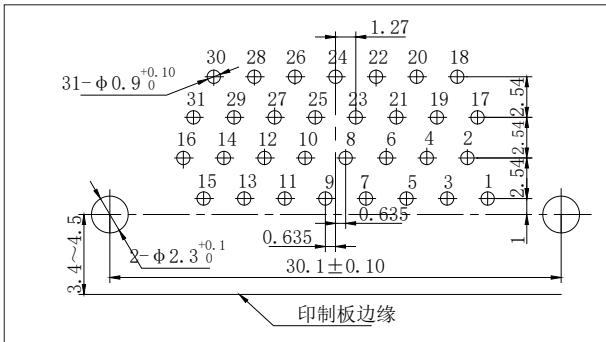
R16R-25TJW-Q8



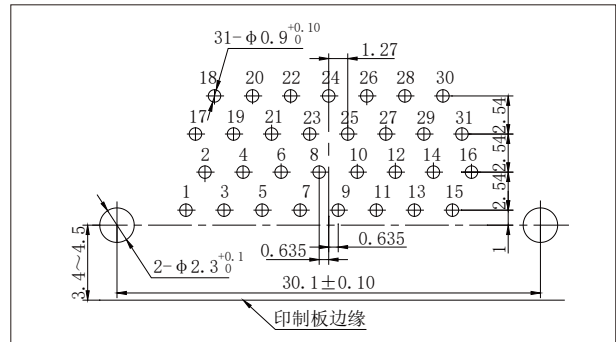
R16R-25ZKW-Q8

## R16R series micro rectangular electrical connector

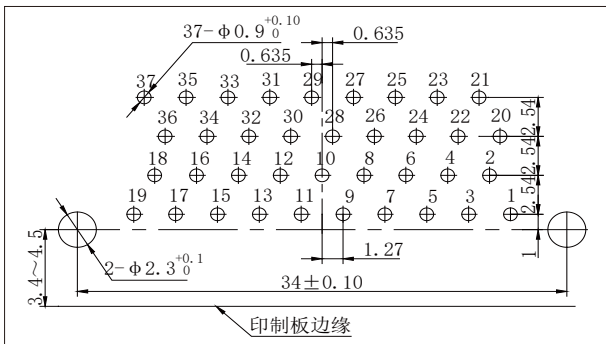
### PCB mounting cutout dimensions drawing



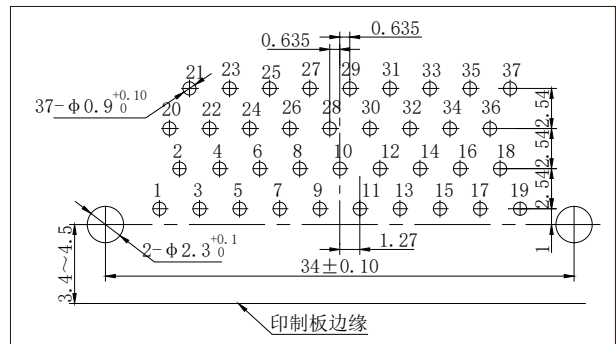
R16R-31TJW-Q8



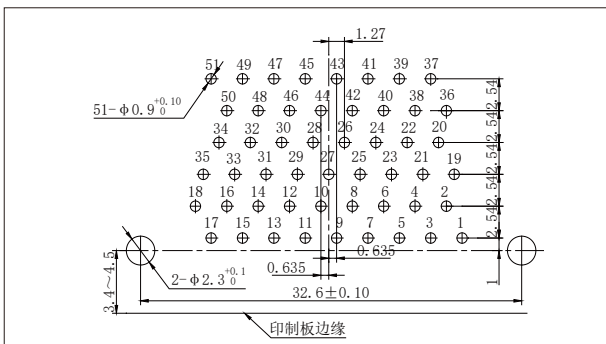
R16R-31ZKW-Q8



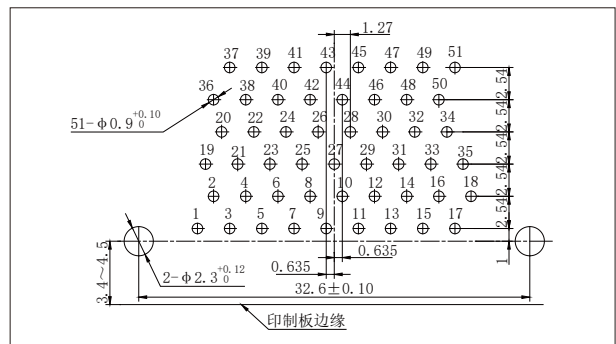
R16R-37TJW-Q8



R16R-37ZKW-Q8



R16R-51TJW-Q8



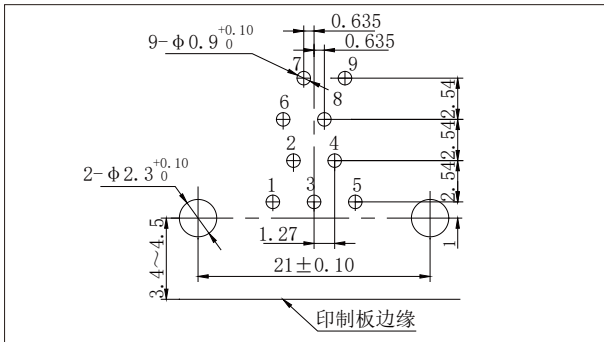
R16R-51ZKW-Q8

## R16R series micro rectangular electrical connector

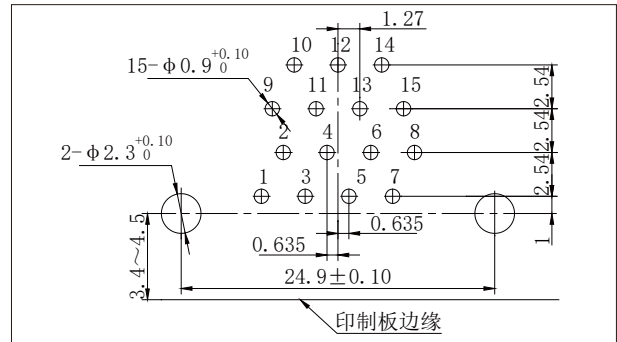
### R16R series micro rectangular electrical connector\PCB mounting cutout dimensions

#### R16RC Right angle PCB W-Q type

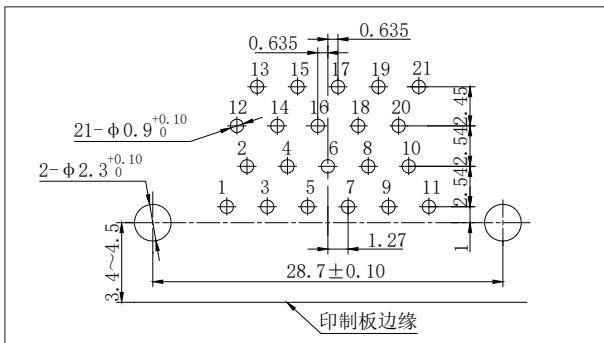
#### PCB mounting cutout dimensions drawing



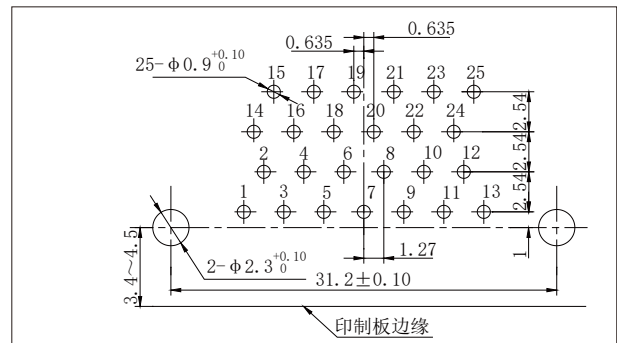
R16RC-9ZKW-Q



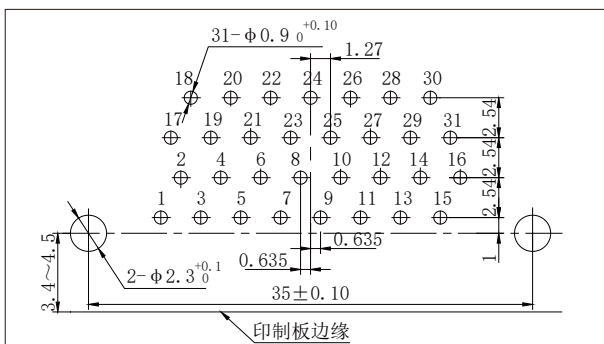
R16RC-15ZKW-Q



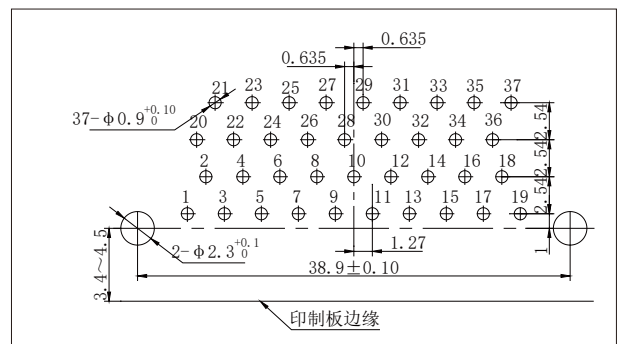
R16RC-21ZKW-Q



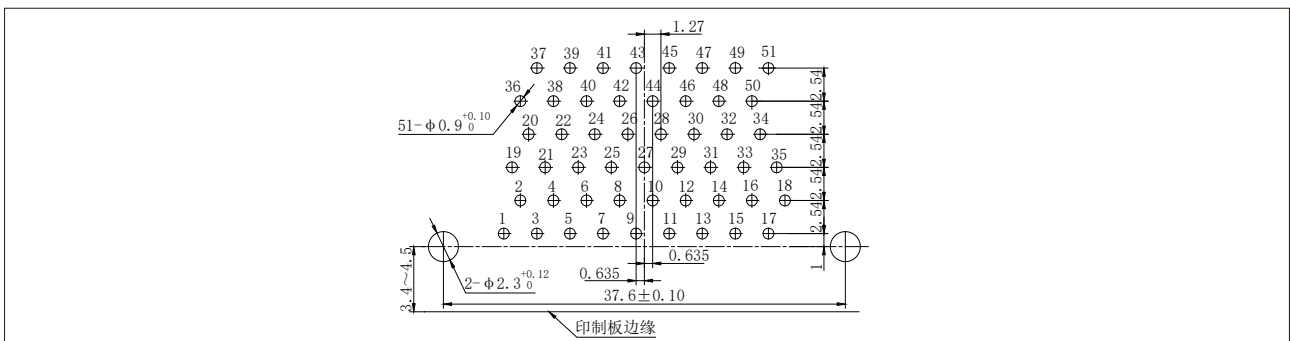
R16RC-25ZKW-Q



R16RC-31ZKW-Q



R16RC-37ZKW-Q



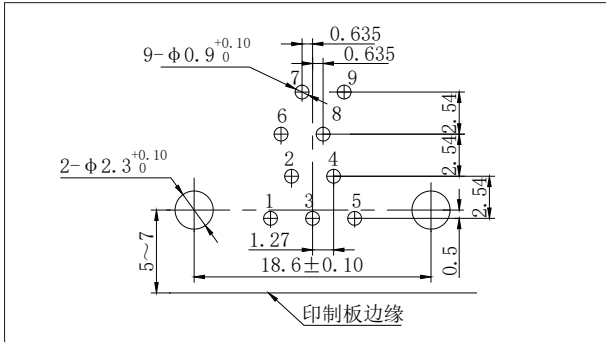
R16RC-51ZKW-Q

## R16R series micro rectangular electrical connector

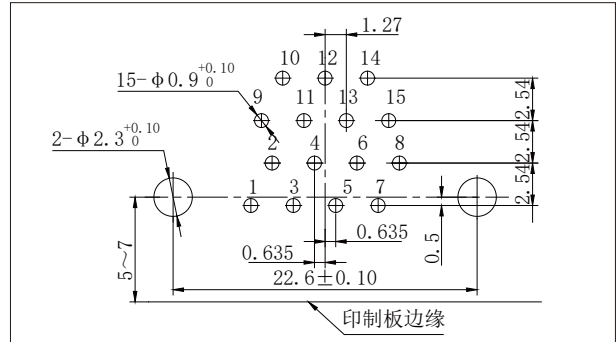
### R16R series micro rectangular electrical connector\PCB mounting cutout dimensions

#### R16RA Straight PCB W type

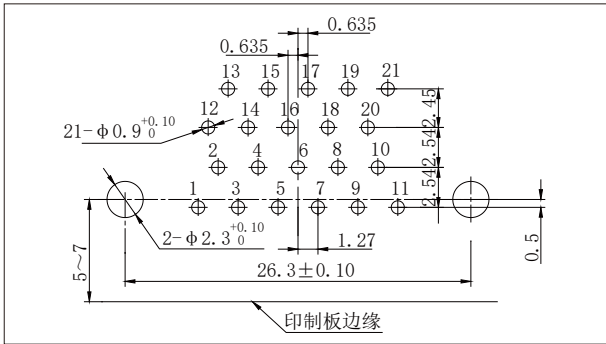
#### PCB mounting cutout dimensions drawing



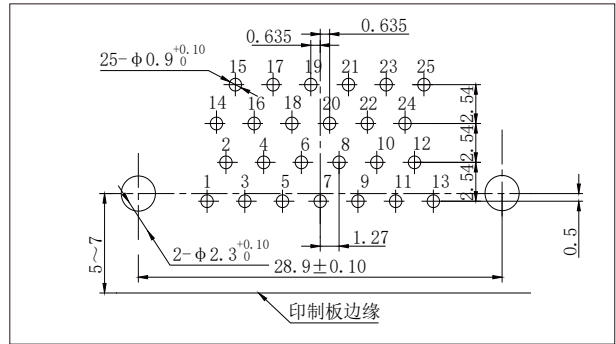
R16RA-9ZKW



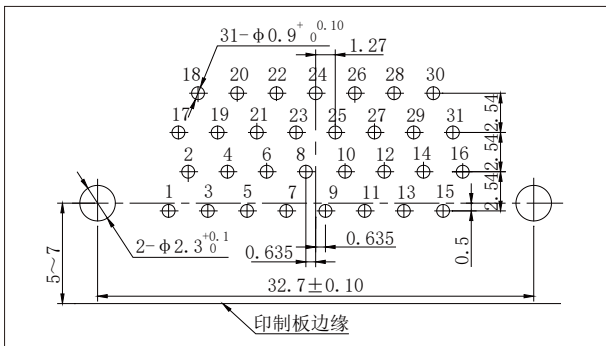
R16RA-15ZKW



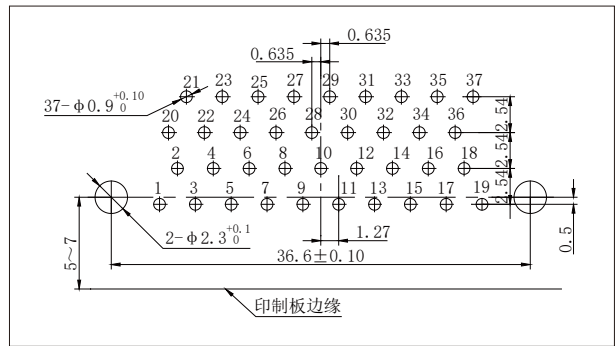
R16RA-21ZKW



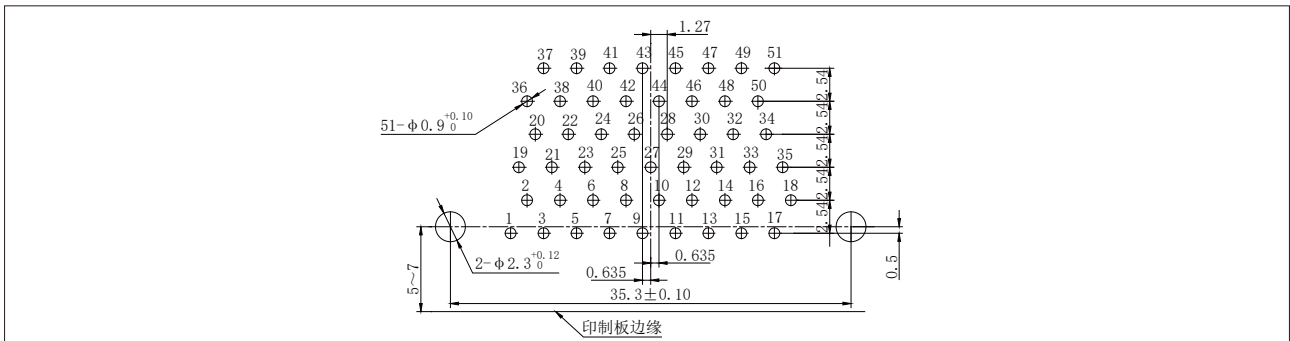
R16RA-25ZKW



R16RA-31ZKW



R16RA-37ZKW



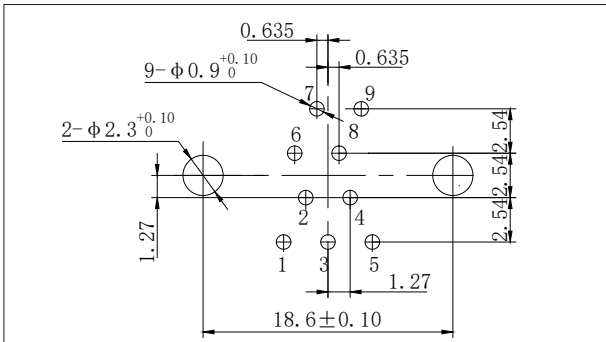
R16RA-51ZKW

## R16R series micro rectangular electrical connector

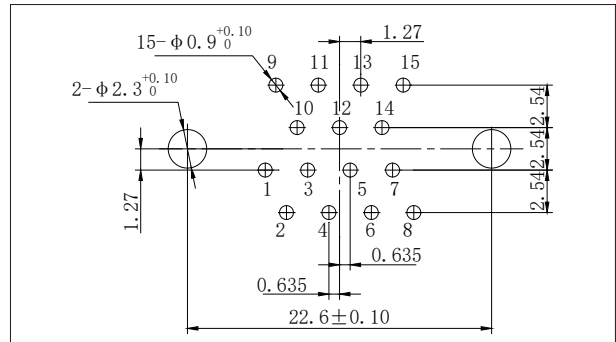
### R16R series micro rectangular electrical connector\PCB mounting cutout dimensions

R16RA Straight PCB N type

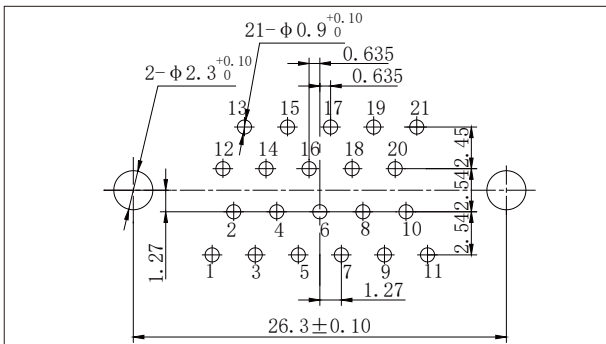
#### PCB mounting cutout dimensions drawing



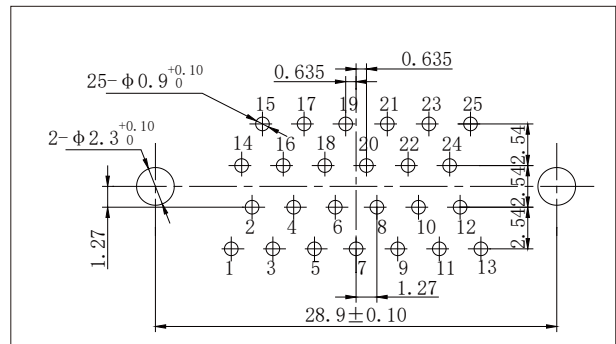
R16RA-9ZKN



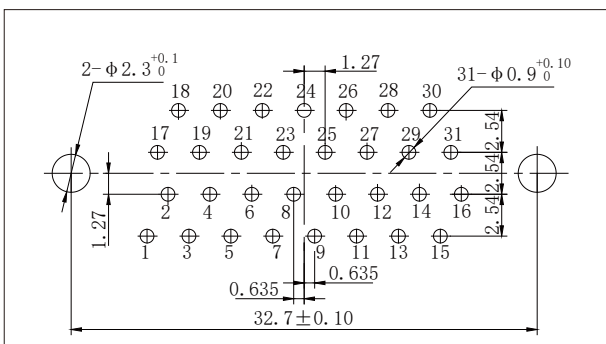
R16RA-15ZKN



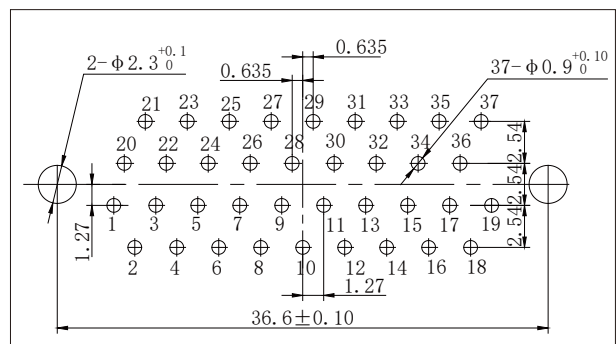
R16RA-21ZKN



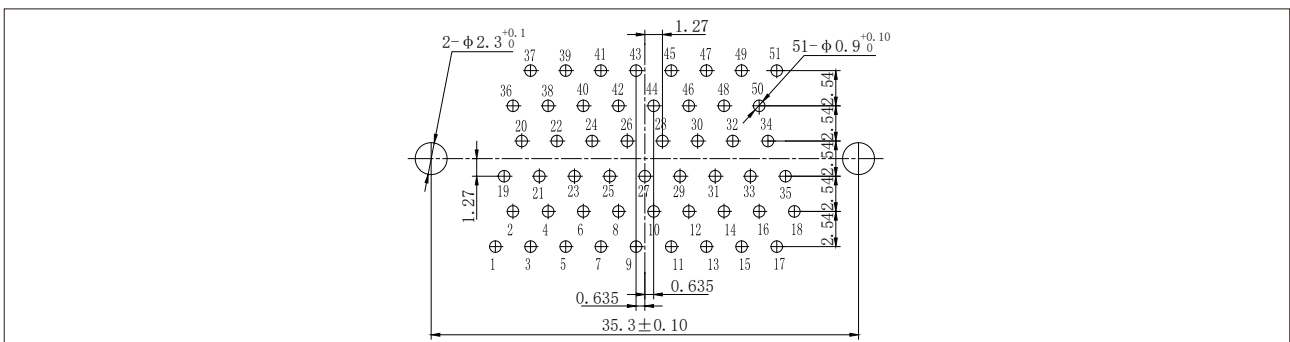
R16RA-25ZKN



R16RA-31ZKN



R16RA-37ZKN



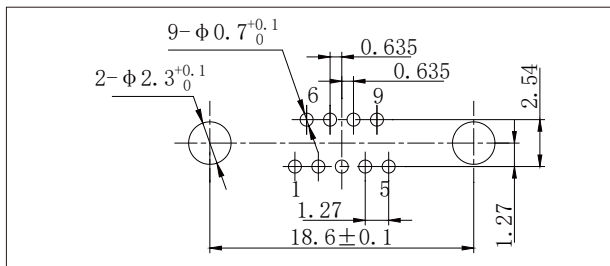
R16RA-51ZKN

## R16R series micro rectangular electrical connector

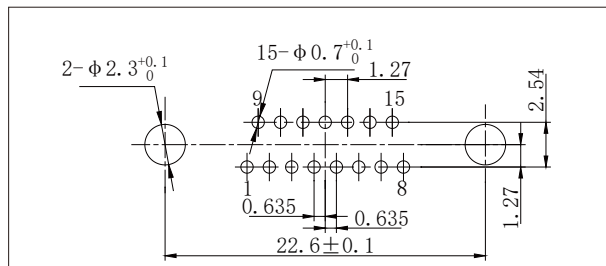
### R16R series micro rectangular electrical connector\PCB mounting cutout dimensions

R16RA Straight PCB N-J

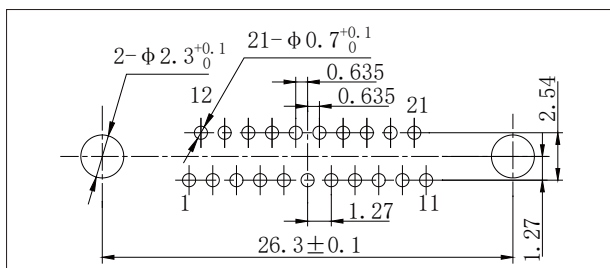
#### PCB mounting cutout dimensions drawing



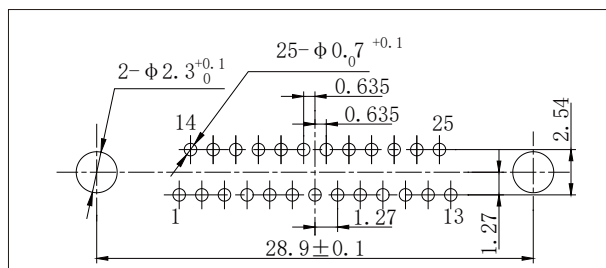
R16RA-9ZKN-J



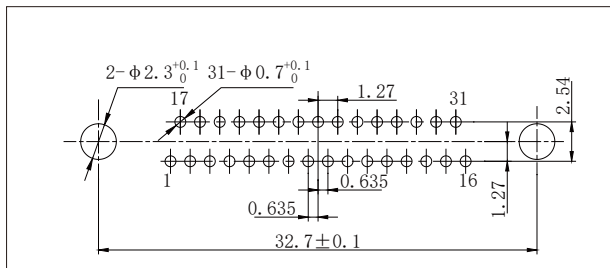
R16RA-15ZKN-J



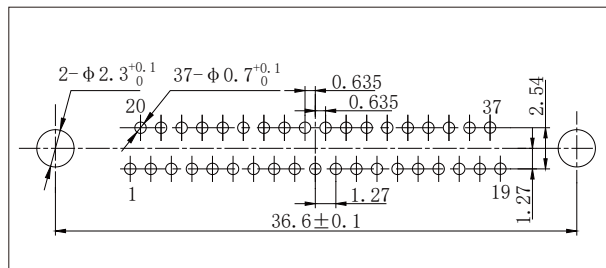
R16RA-21ZKN-J



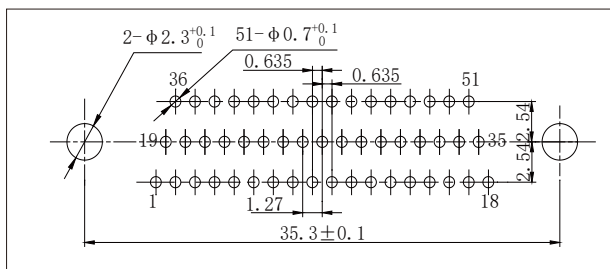
R16RA-25ZKN-J



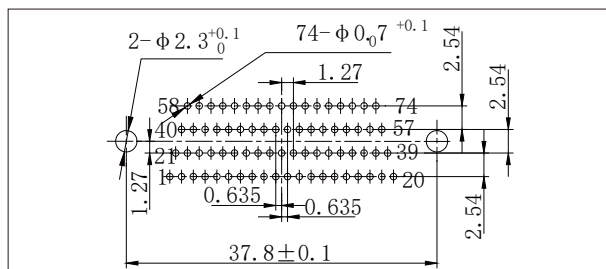
R16RA-31ZKN-J



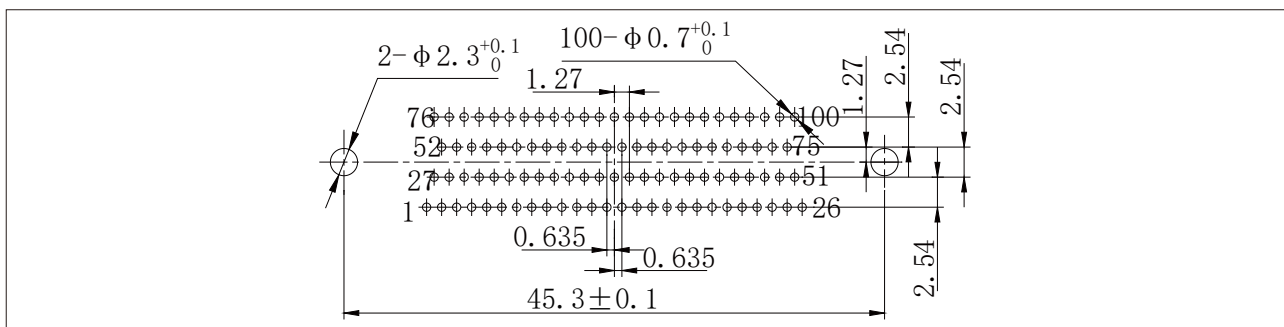
R16RA-37ZKN-J



R16RA-51ZKN-J



R16RA-74ZKN-J



R16RA-100ZKN-J

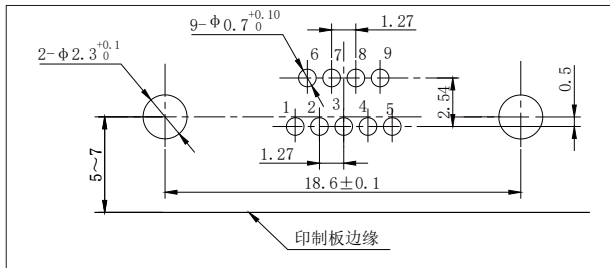


## R16R series micro rectangular electrical connector

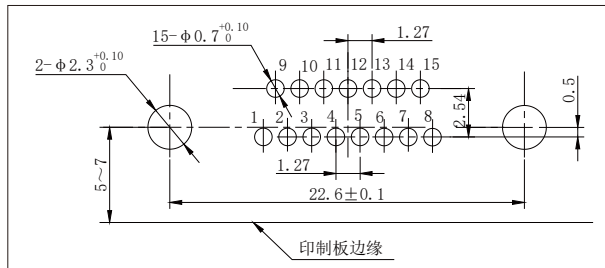
### R16R series micro rectangular electrical connector\PCB mounting cutout dimensions

#### R16RA Right angle PCB W-J

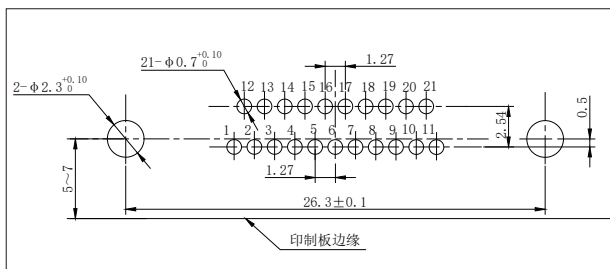
#### PCB mounting cutout dimensions drawing



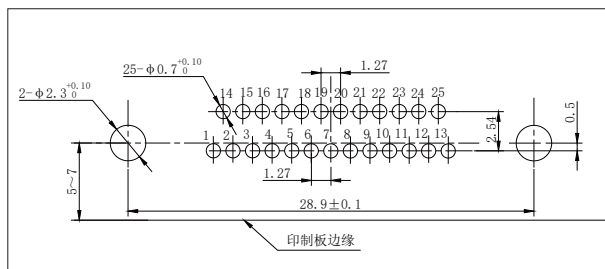
R16RA-9ZKW-J



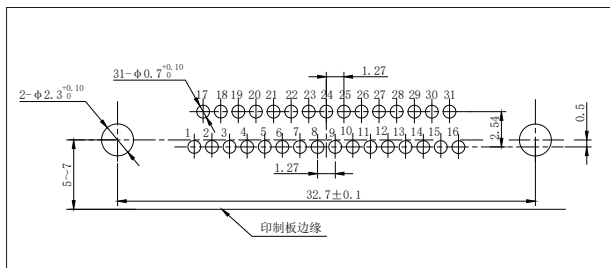
R16RA-15ZKW-J



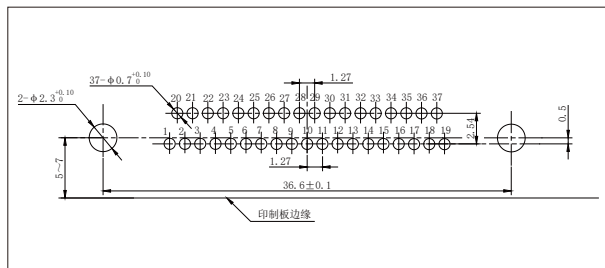
R16RA-21ZKW-J



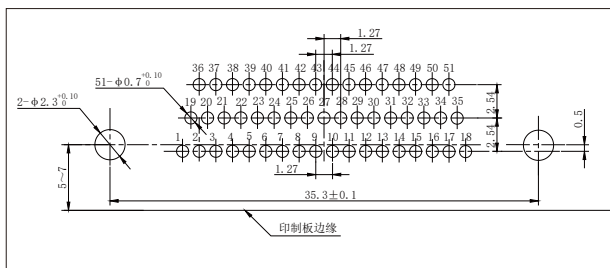
R16RA-25ZKW-J



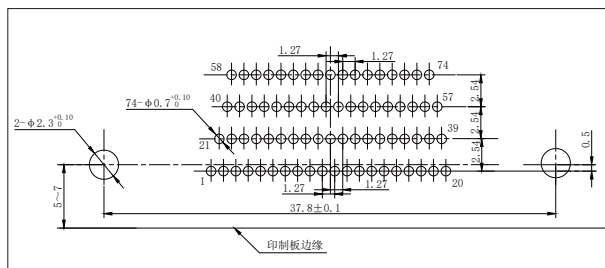
R16RA-31ZKW-J



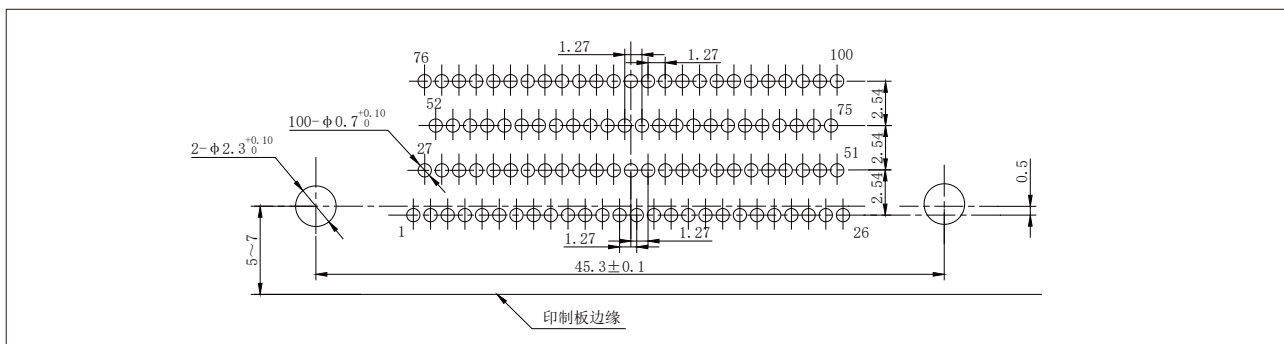
R16RA-37ZKW-J



R16RA-51ZKW-J



R16RA-74ZKW-J



R16RA-100ZKW-J