

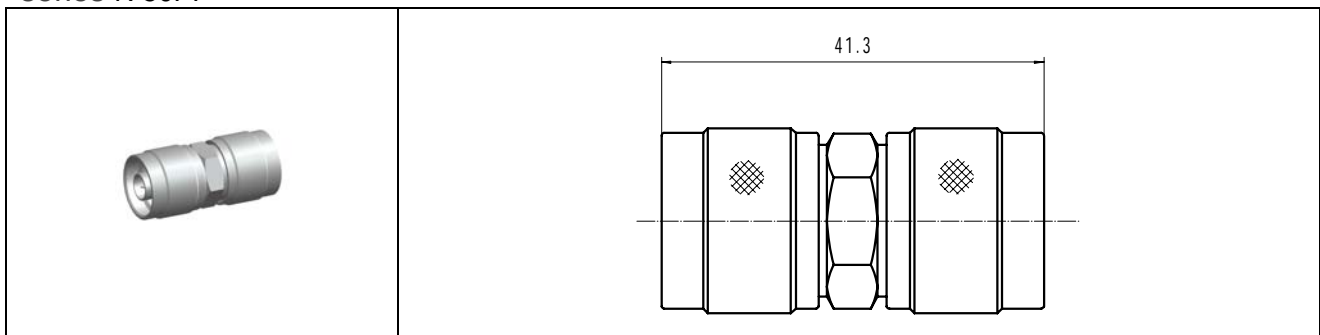
RF Coaxial Connector Adapters

Adapter is a two-port device used to connect 2 transmission lines which cannot be directly mated or connected, that is, through adapter we can directly connect the ports which can not be directly mated. For example, SMA-JJ adapter, its both ends can be mated with SMA series receptacle and SMA/SMB-JK can be respectively mated with the SMA series receptacle and SMB series plug. The interface dimensions are the same with connector interfaces of the both ends.

Part No.	SMA	SMB	SSMA	MMBX	BMA	BMC	VPE	N	MCX	L29	CQN	SBX	D4	CQMA	L9	SMP	SSMB
SMA	●	●	●	●	●	●	●	●						●		●	
SMB	●	●				●											
SSMA	●												●				
MMBX	●			●													
BMA	●								●								
BMC	●	●				●	●	●									●
VPE	●						●	●									
N	●					●	●	●		●		●					
MCX									●				●				
L29								●		●							
CQN											●						
SBX								●									
D4			●						●				●				
CQMA	●													●			
L9															●		
SMP	●															●	
SSMB						●											

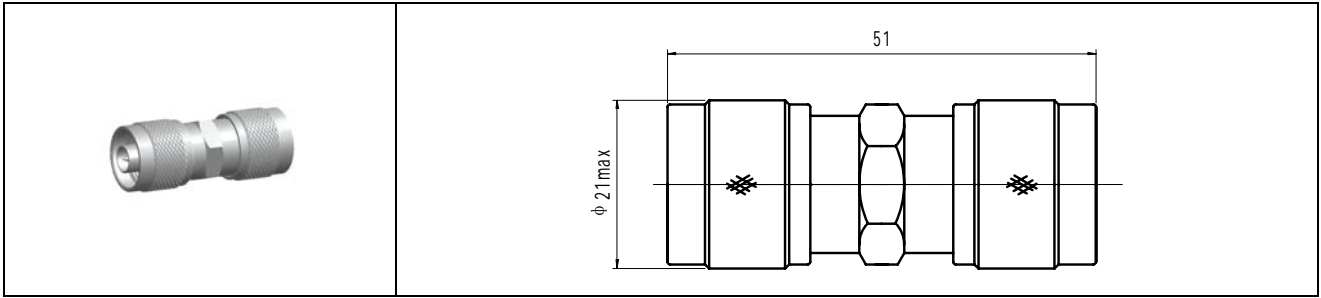
Outline dimensions

—— Adapter within
series N 50PP

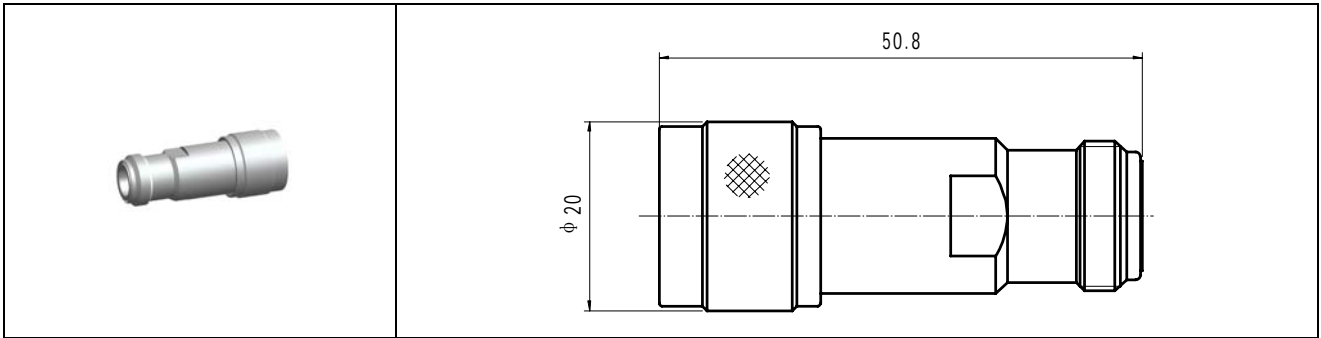




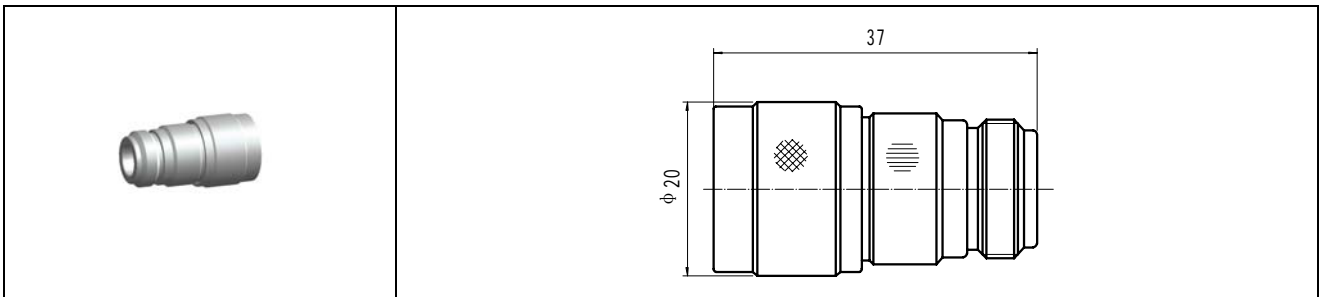
N-50PP-1



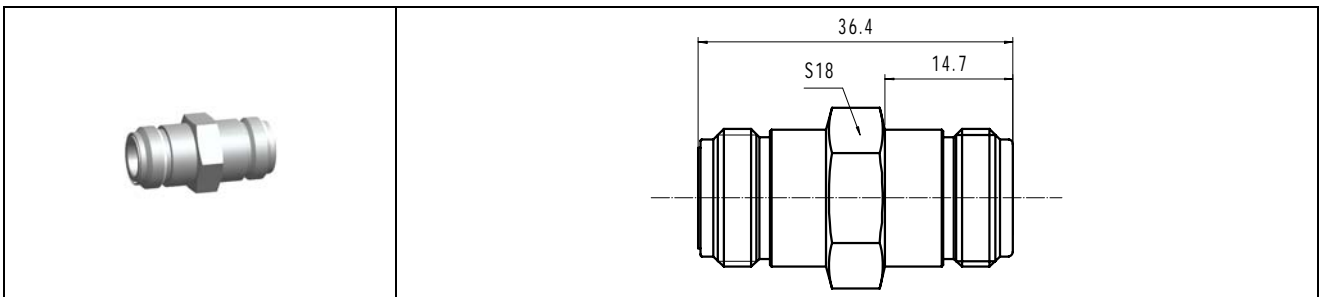
N-50PS



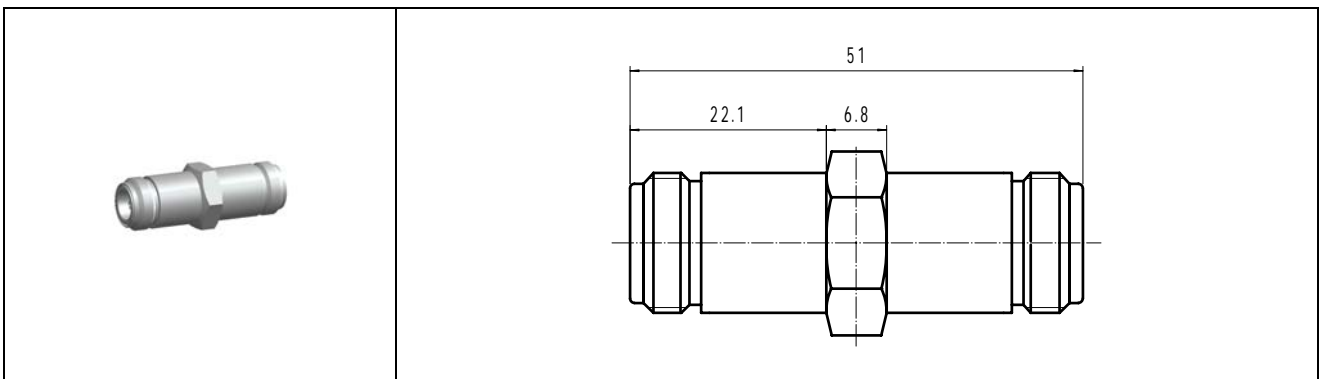
N-50PS-1



N-50SS

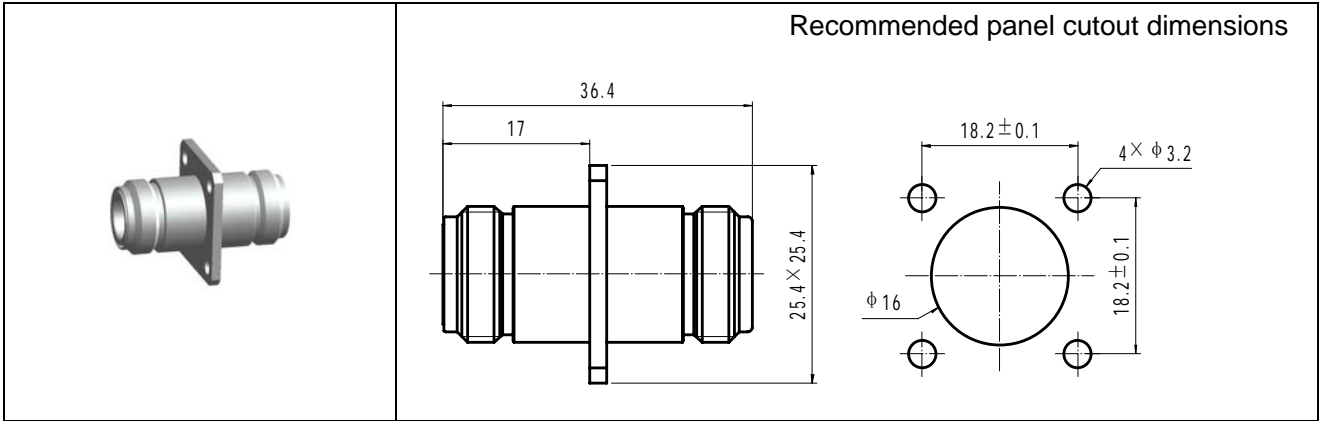


N-50SS-1

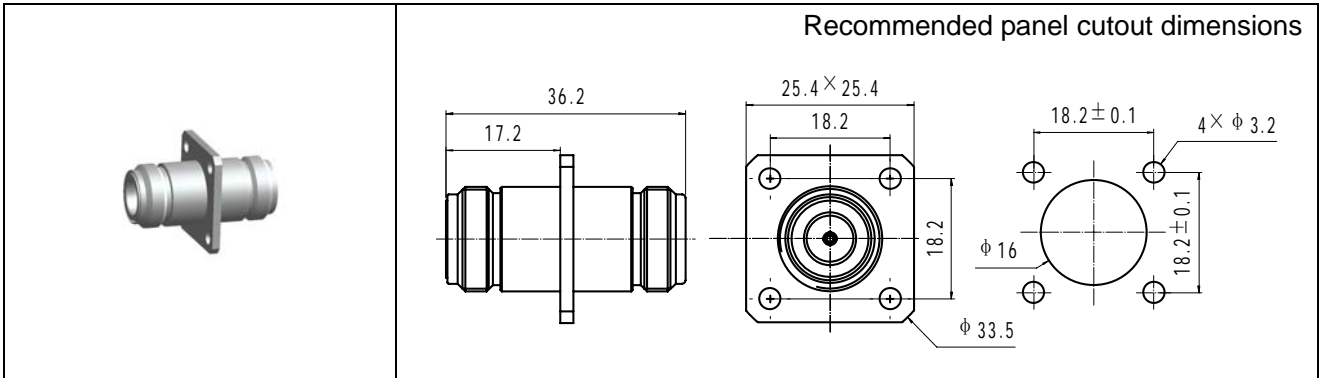




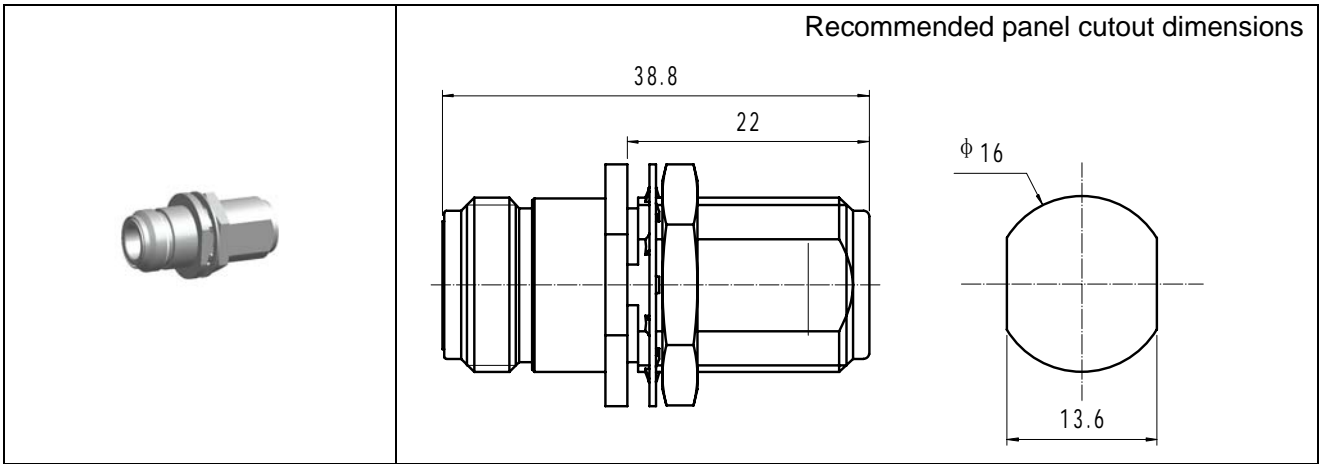
N-50SSF



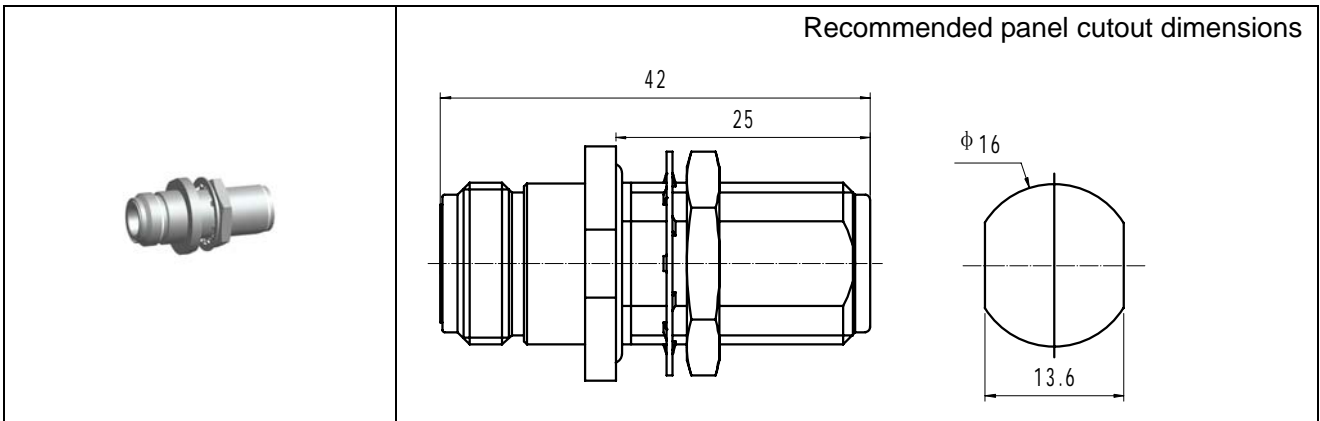
N-75SSF

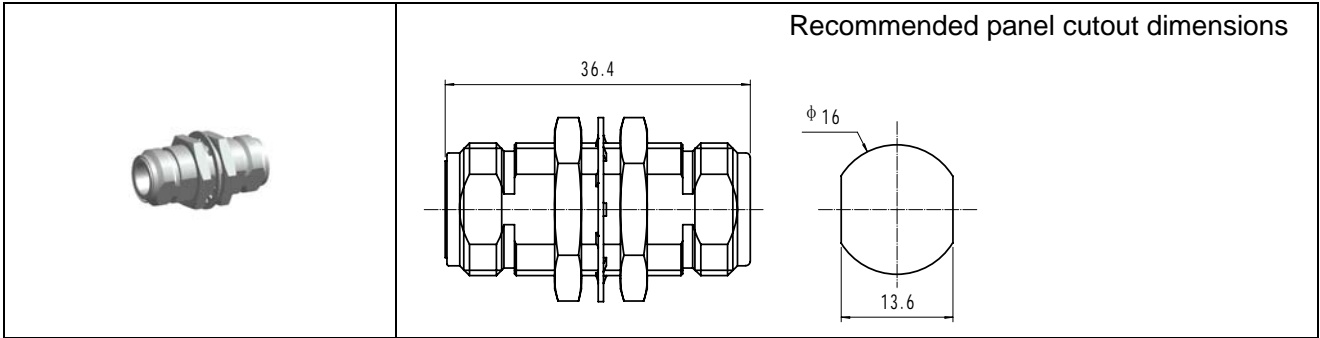


N-50SSY

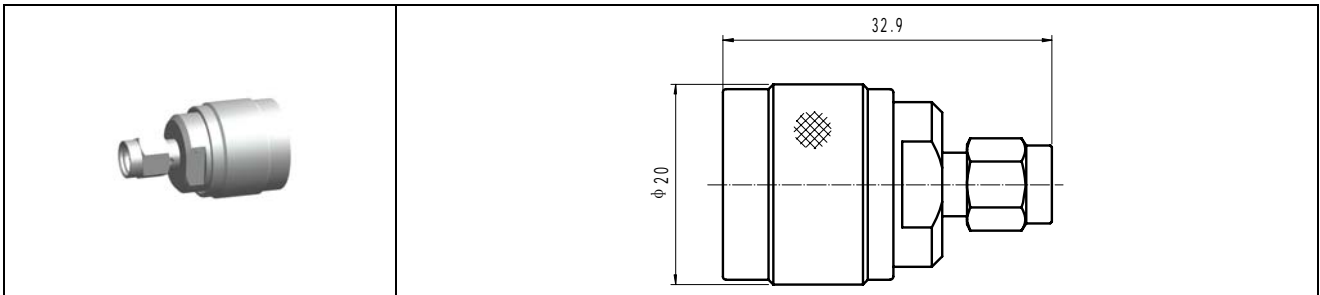
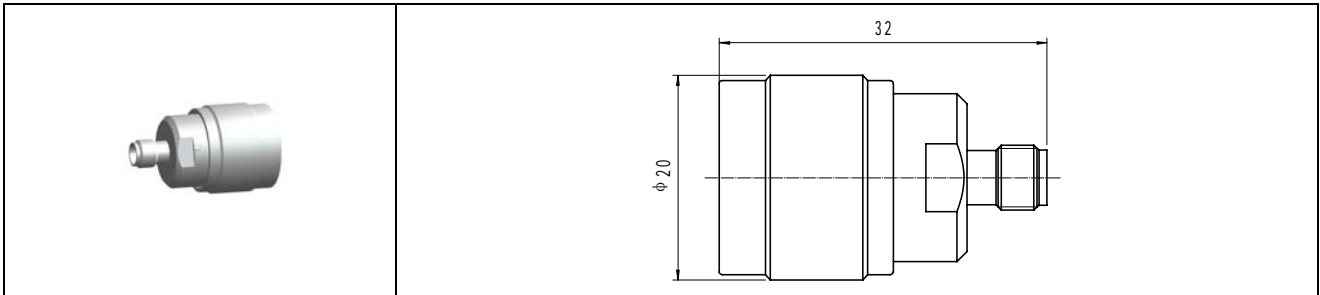
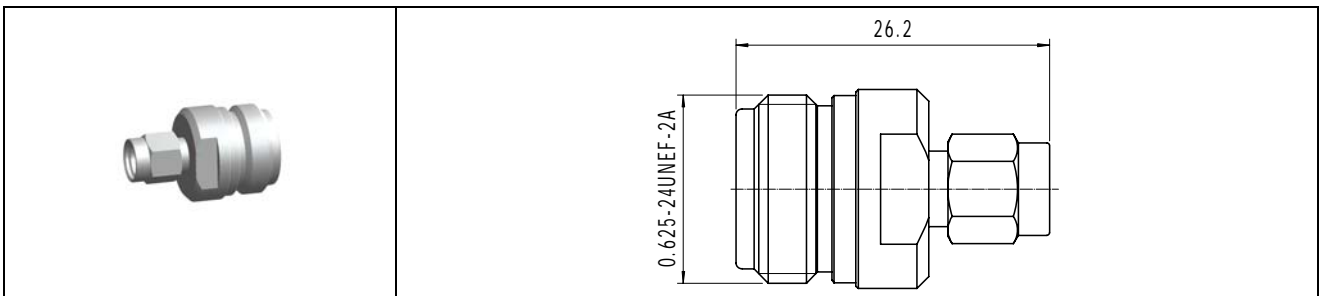
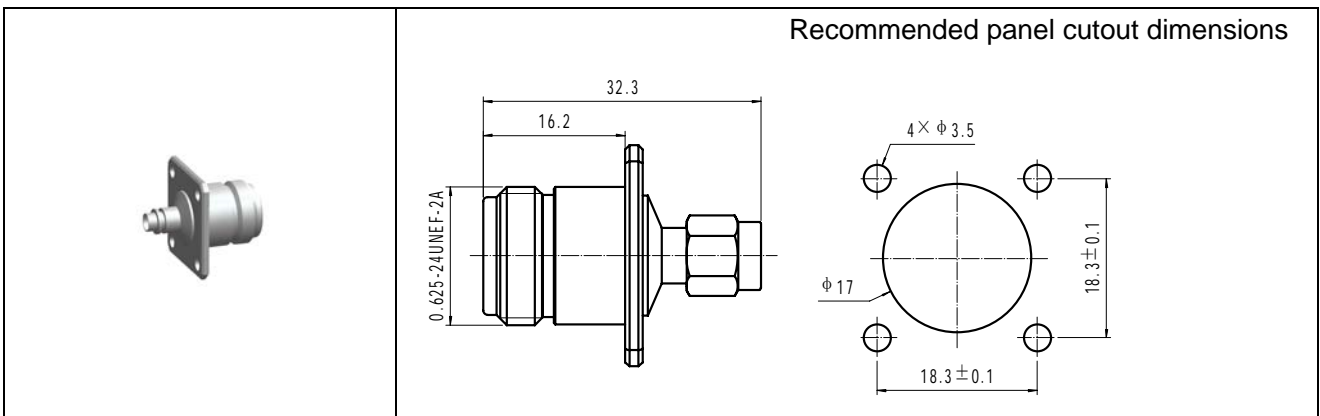


N-50SSY-1



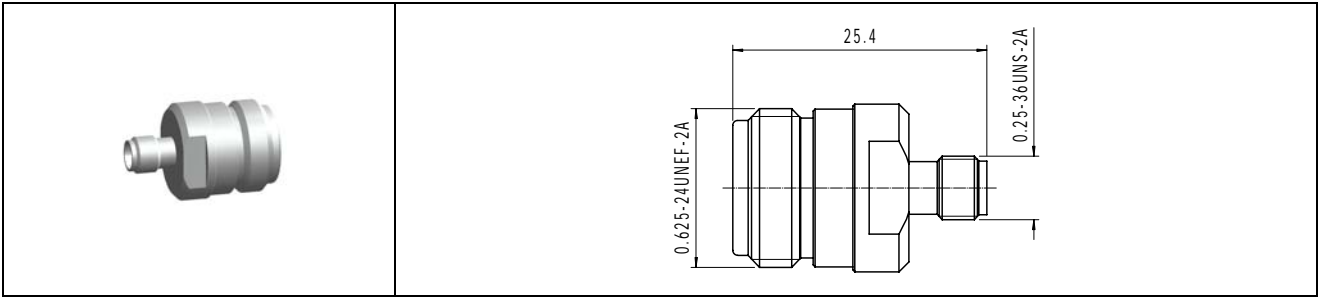
P-75SSY


— Adapter between various series N/SMA-PP

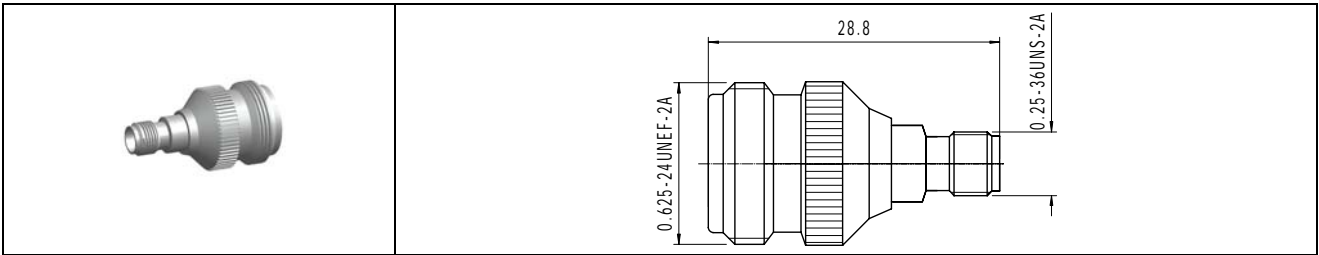

N/SMA-PS

N/SMA-SP

N/SMA-SFJ




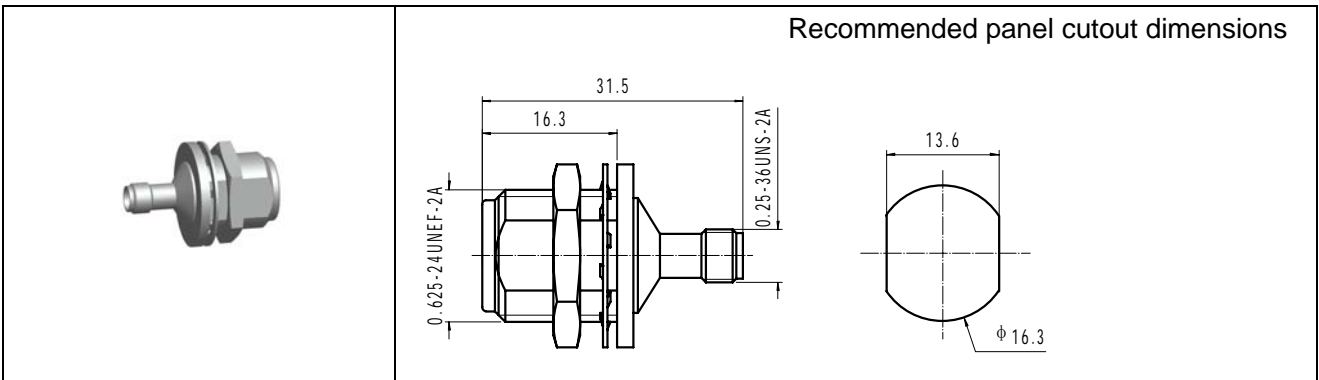
N/SMA-SS



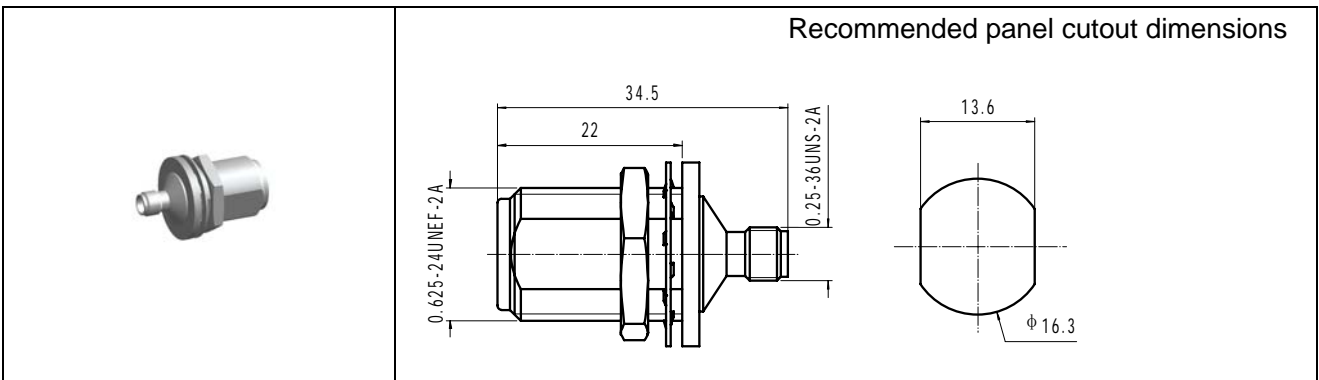
N/SMA-SS1



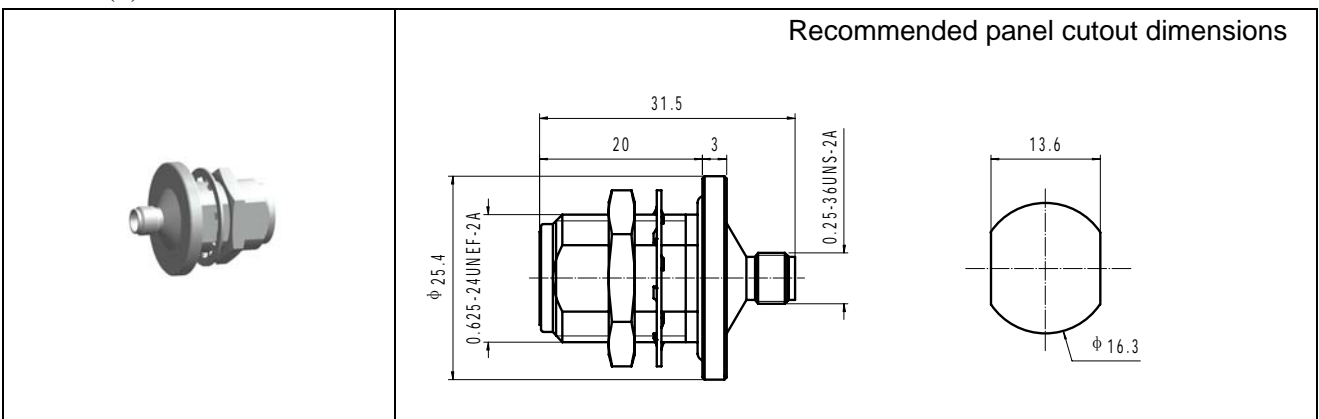
N/SMA-SYK



N/SMA-SYK-2

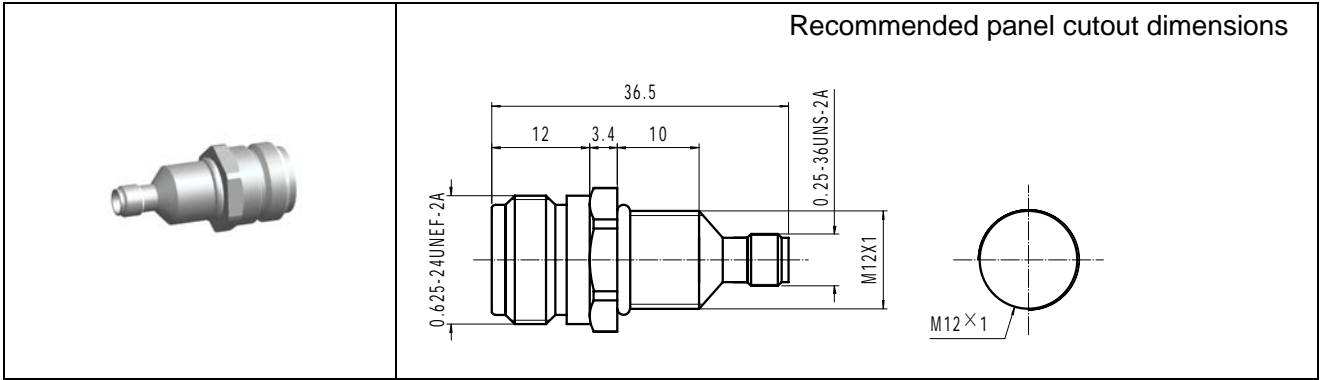


N/SMA(S)-SYK

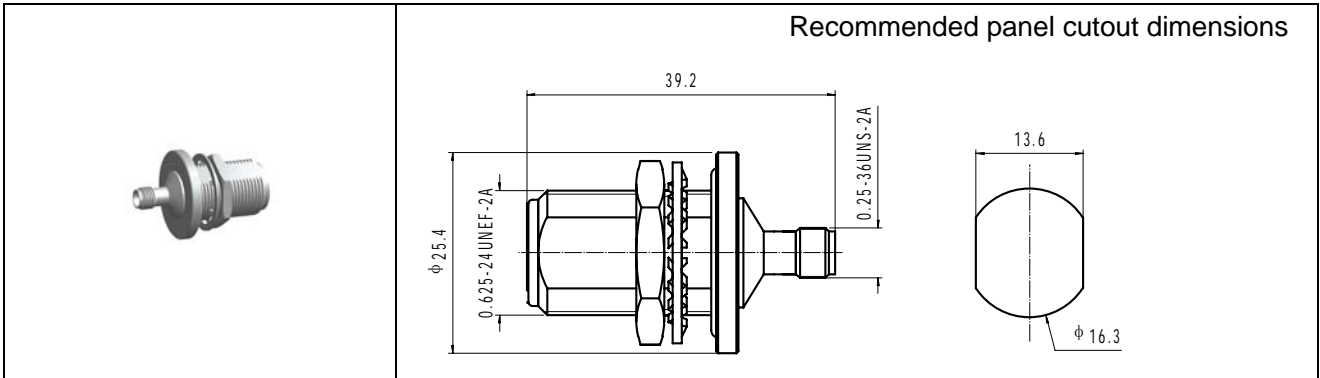




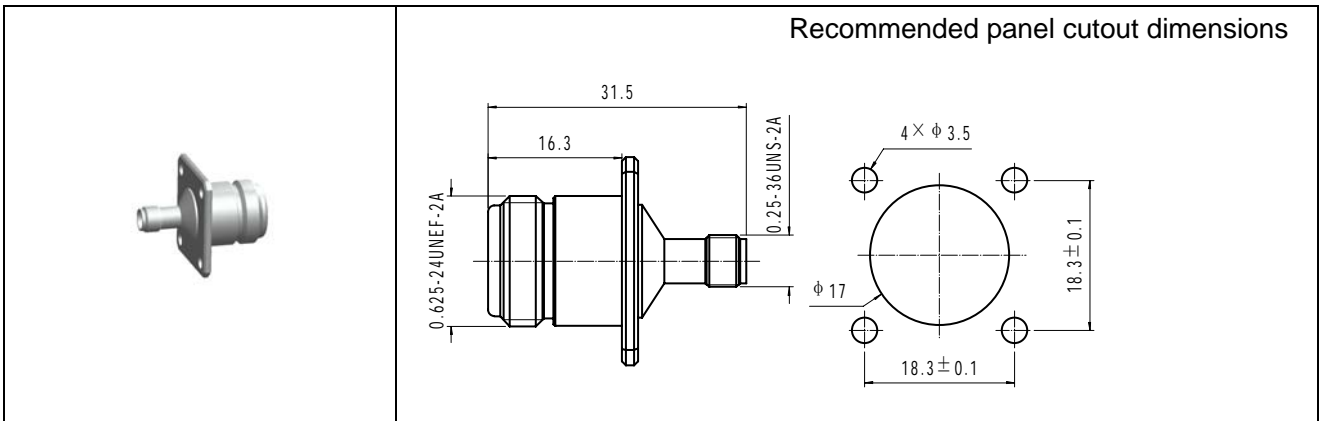
N/SMA(S)-SYK-1



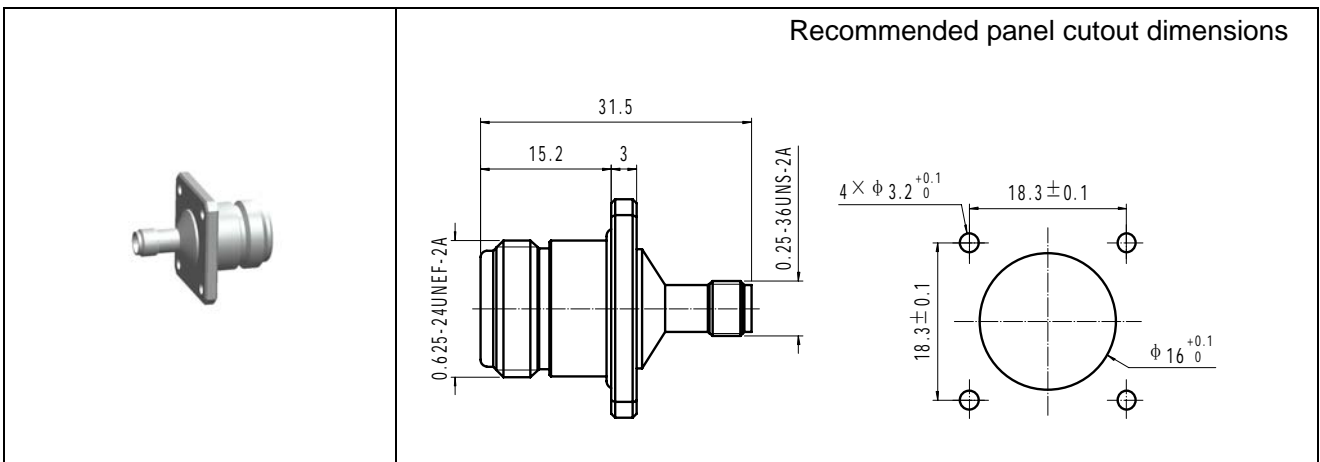
N/SMA(M)-SYK

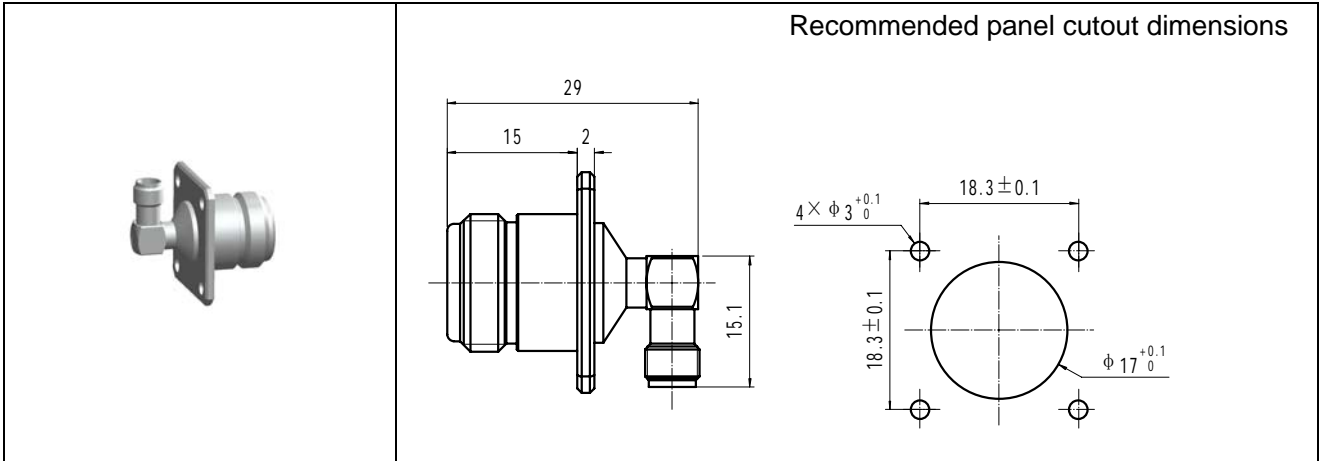
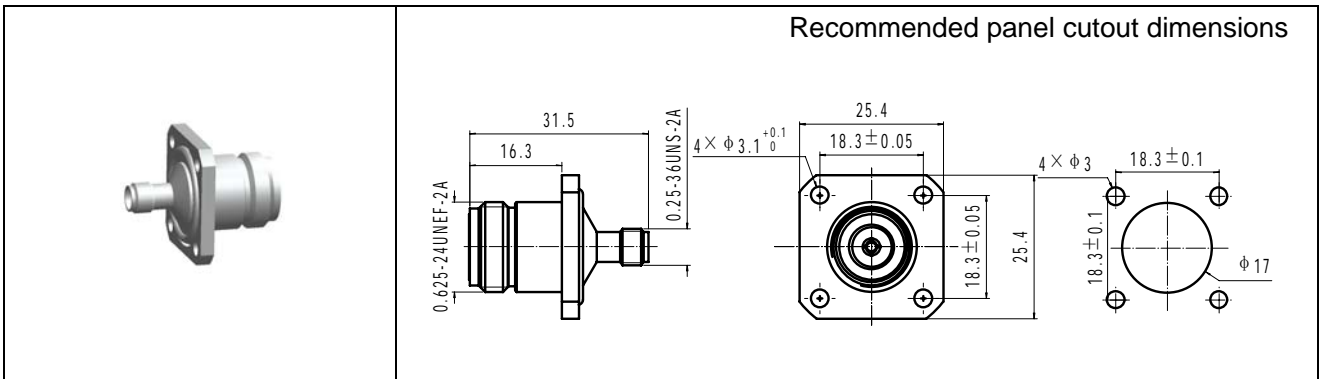
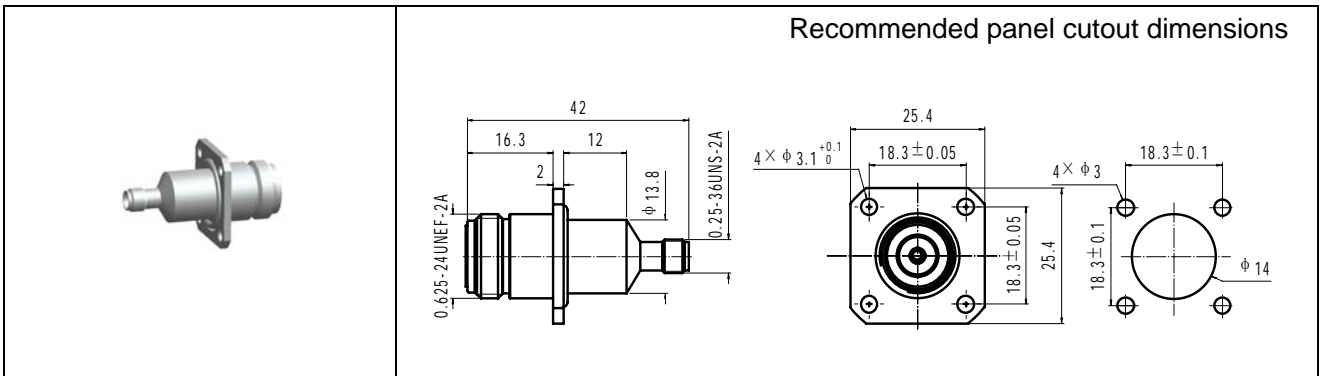
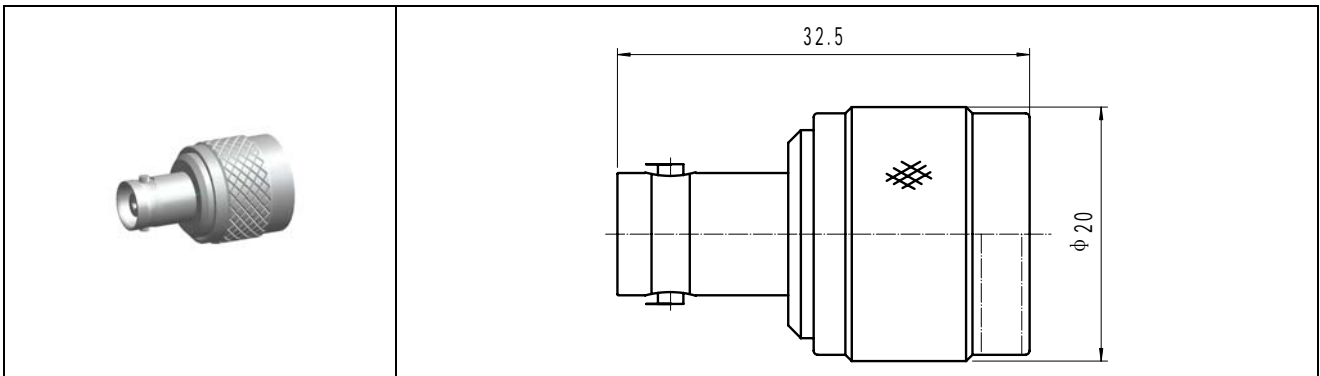


N/SMA-SFK



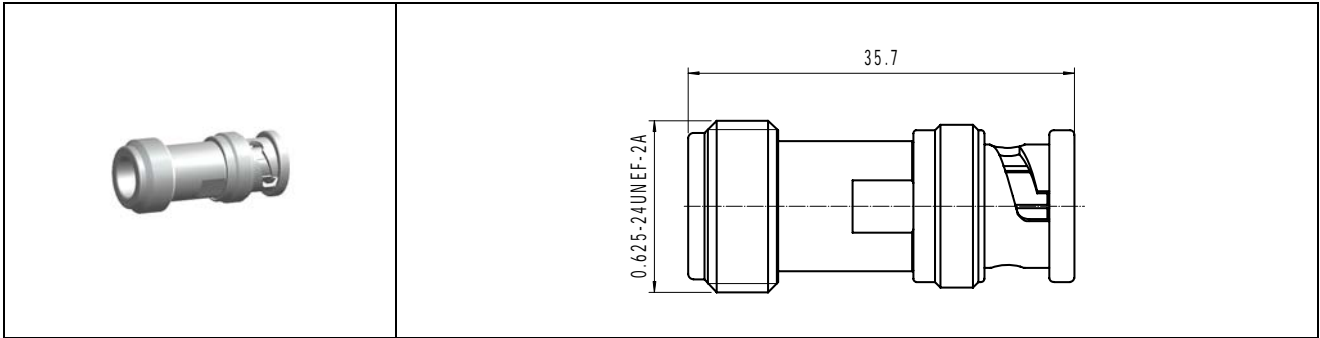
N/SMA-SFK-1



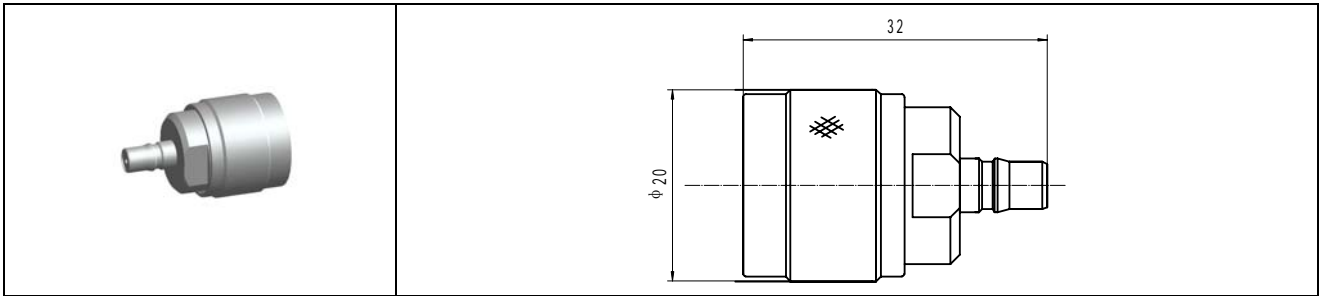
N/SMA-SFWK

N/SMA(S)-SFK,P/SMA(S)-SFKG

N/SMA(S)-SFK-1

N/BMC-PK




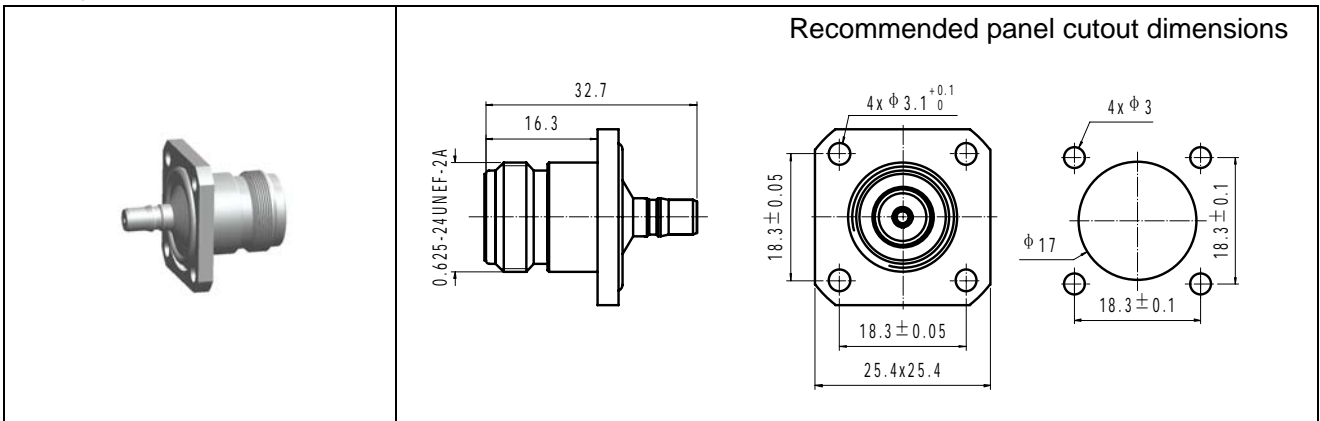
N/BMC-SP



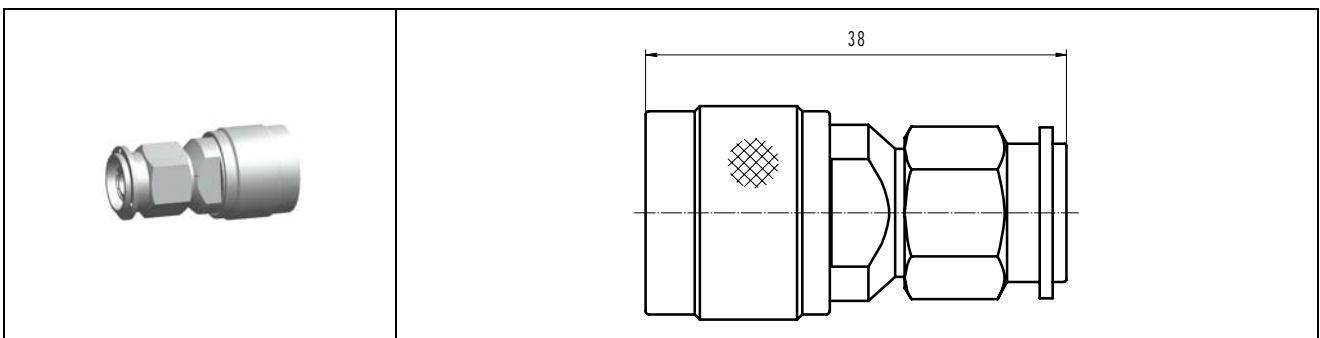
N/CQMA-PS



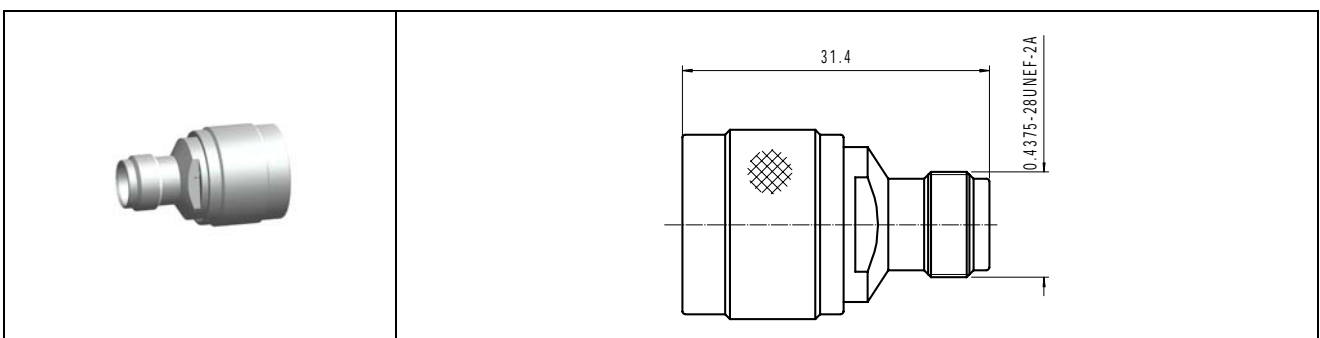
N/CQMA(S)-SFK



N/VPE-PP

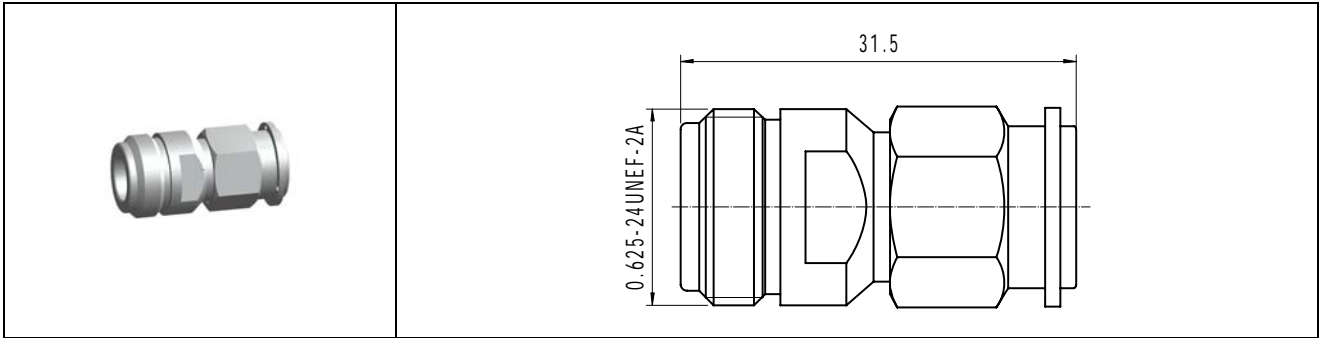


N/VPE-PS

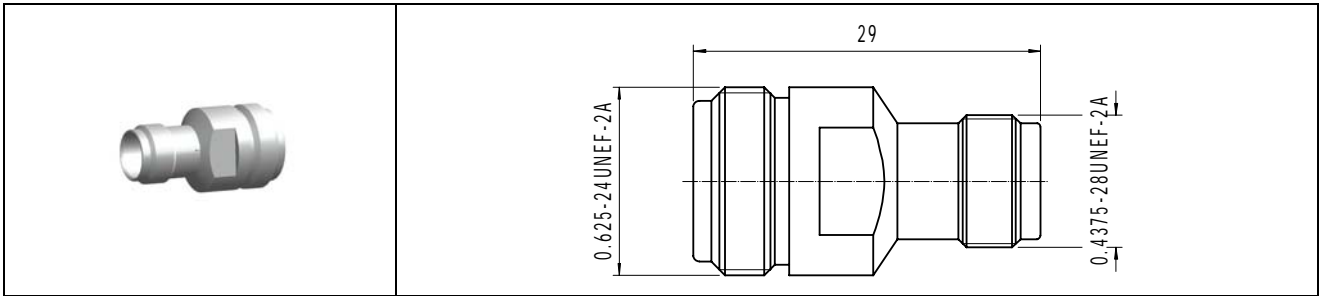




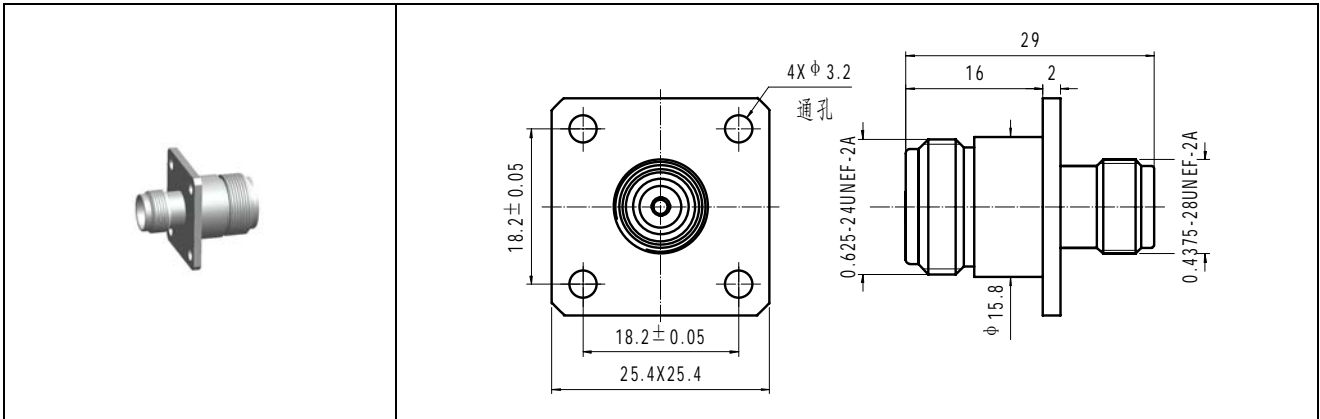
N/VPE-SP



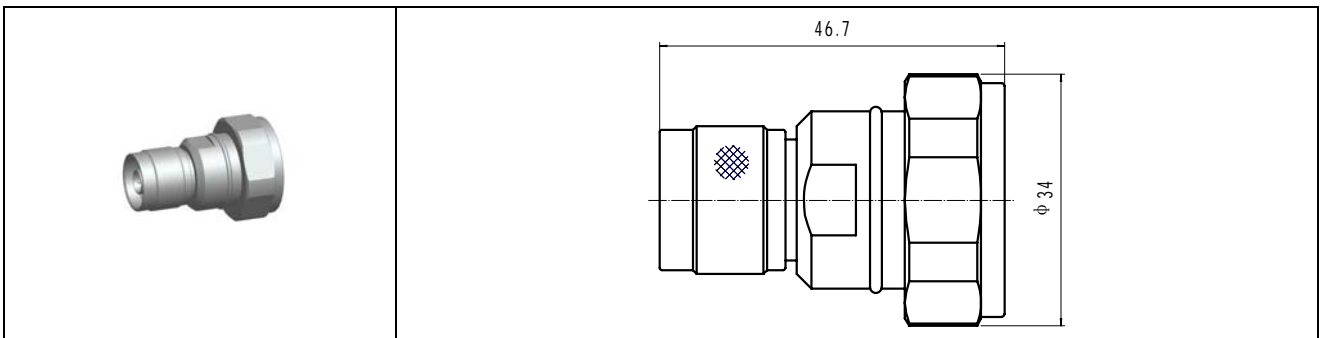
N/VPE-SS



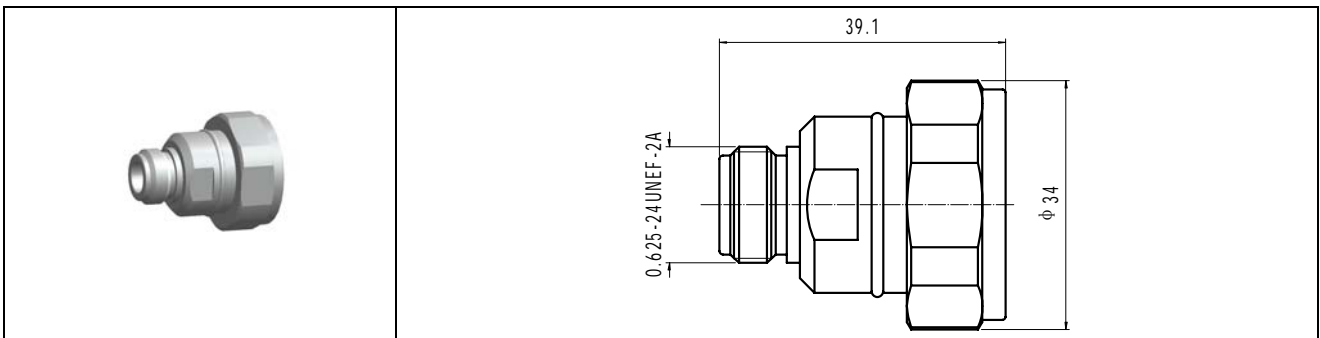
N/VPE-SFK



L29/N-50PP

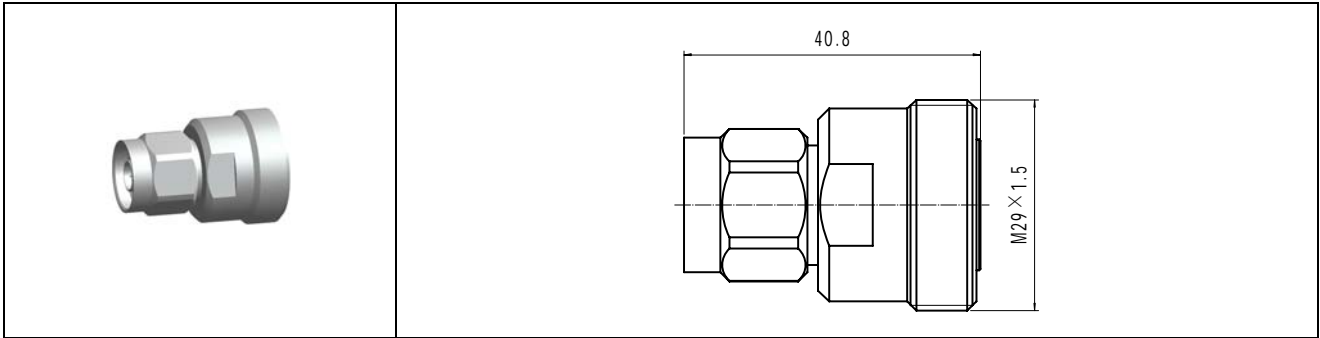


L29/P-50PS, L29/N-50PSG

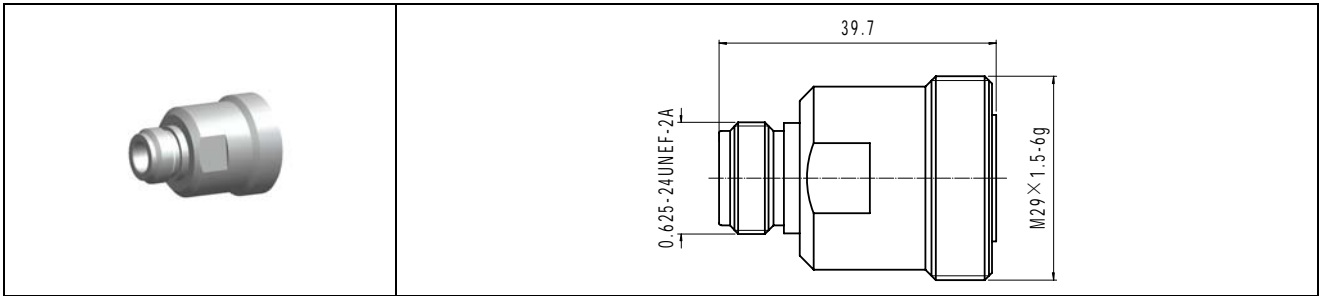




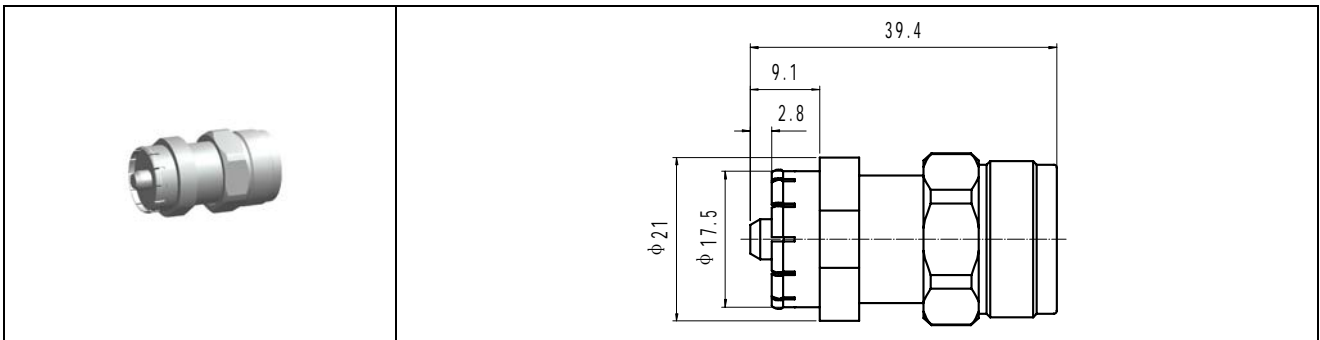
L29/N-SP



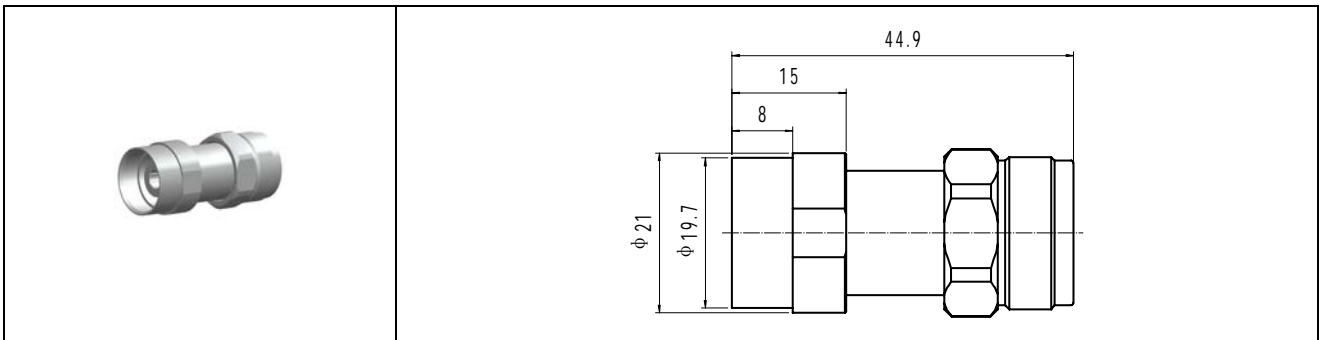
L29/N-50SS



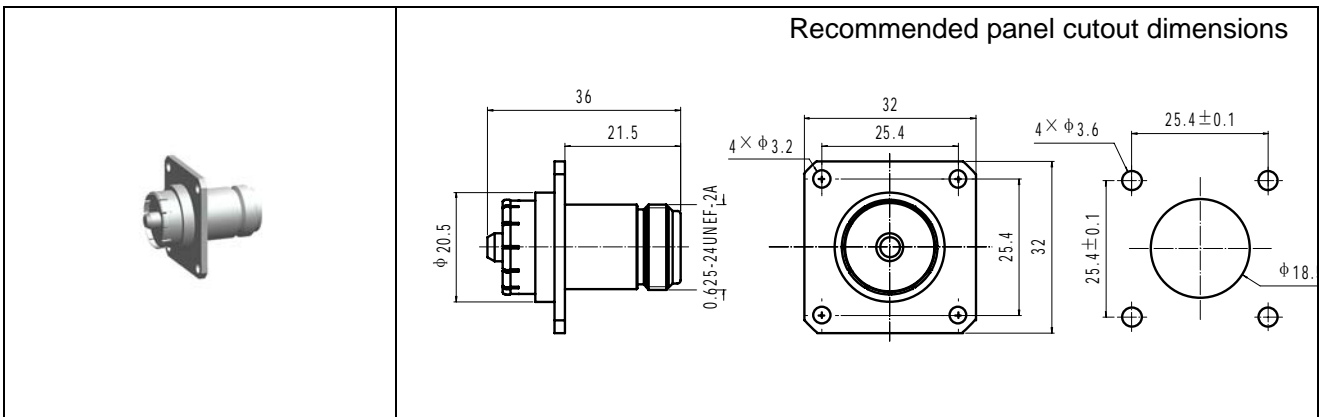
SBX/N-PP



SBX/N-SP



SBX/N-PFK





SBX/N-SFK

