

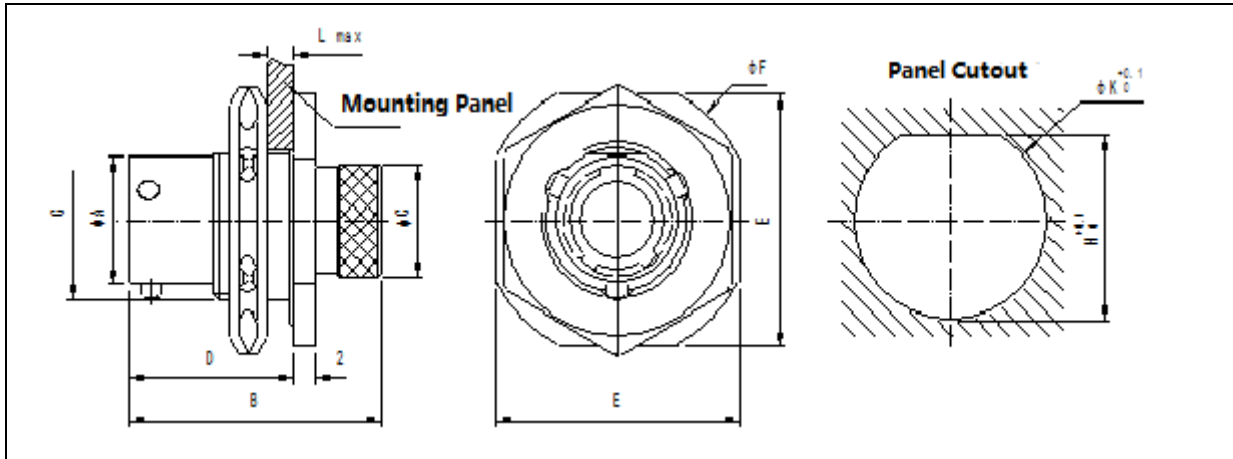






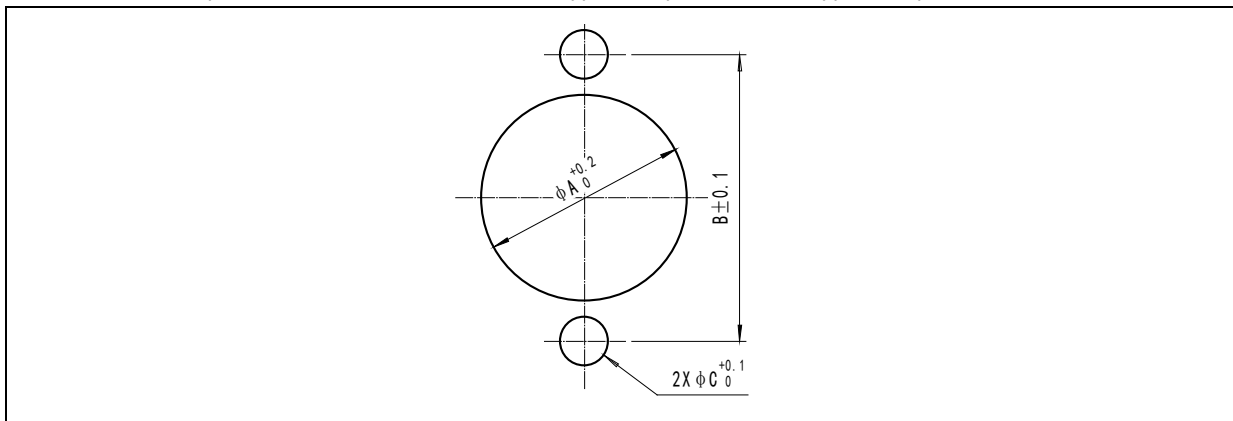


[3 type jam nut receptacle]



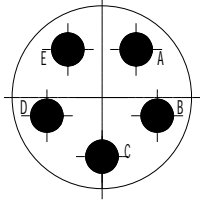
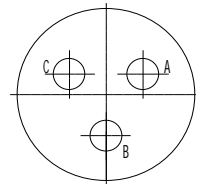
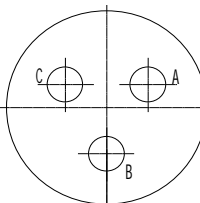
Shell size	A	B	C	D	E	F	G	L	H	K
02	8.3	17.5	7.2	14	16.4	18	M10×0.75	2.3	9.4	10.2
04	10.1	18.3	8.6	15	20.2	22	M12×1	3	11.5	12.8
06	11.3	23	10	15	22.4	25	M14×1	3	13.2	14.2

[Recommended panel cutout dimensions for O-type receptacle and 2 type receptacle]



Shell size	02	04	06
A	7.5	9	10.5
B	13.6	16.2	18
C	2.1	2.2	2.2

### Insert arrangement

Shell size	Insert arrangement	Contact No.	Figure
02	02-05	5-26# (in reseach)	
02	02-35	3-22D	
04	04-35	3-22D	
06	06-35	5-22D	