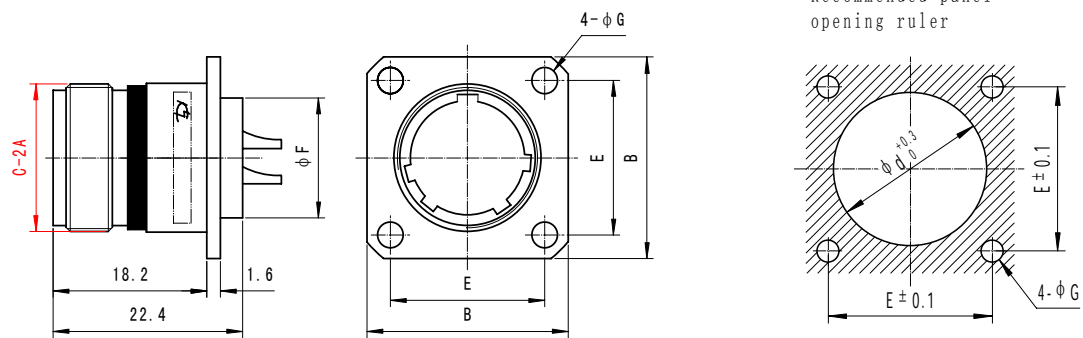


[Threaded coupling hermetic receptacle LA83723/88]

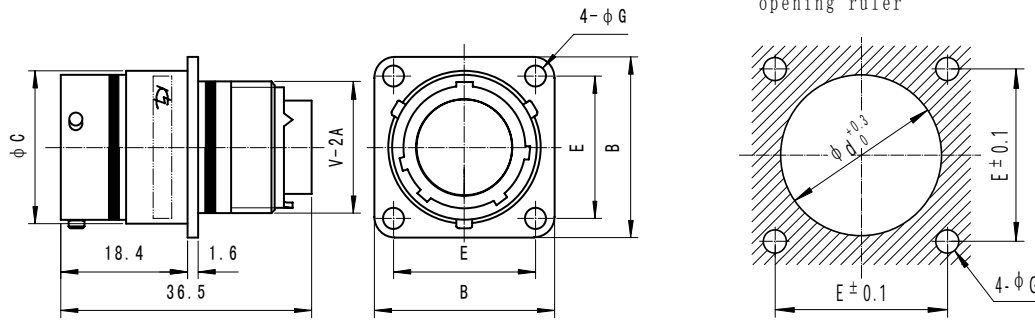


Shell size	B	E	G	F	Thread C Class 2A	Applicable square flange cushion	d rear instal lation	d front install ation
08	20.62	15.09	3.1	12.70	0.5625-24UNEF	21E8-701-560-R5	14.80	13.20
10	23.80	18.26	3.1	14.27	0.6875-24UNEF	21E8-701-464-R5	18.00	16.40
12	26.20	20.62	3.1	19.05	0.8750-20UNEF	21E8-701-561-R5	22.70	19.50
14	28.58	23.01	3.1	20.62	0.9375-20UNEF	21E8-701-457-R5	24.30	22.70
16	31.75	24.61	3.1	23.80	1.0625-18UNEF	21E8-701-562-R5	27.50	25.90
18	34.11	26.97	3.1	26.97	1.1875-18UNEF	21E8-701-563-R5	30.70	27.50
20	36.50	29.36	3.1	30.15	1.3125-18UNEF	21E8-701-564-R5	33.80	30.70
22	39.67	31.75	3.1	33.32	1.4375-18UNEF	21E8-701-565-R5	37.00	33.80
24	43.26	34.92	3.9	36.50	1.5625-18UNEF	21E8-701-566-R5	40.20	37.00

[Bayonet coupling plug /83723/ 75 76]

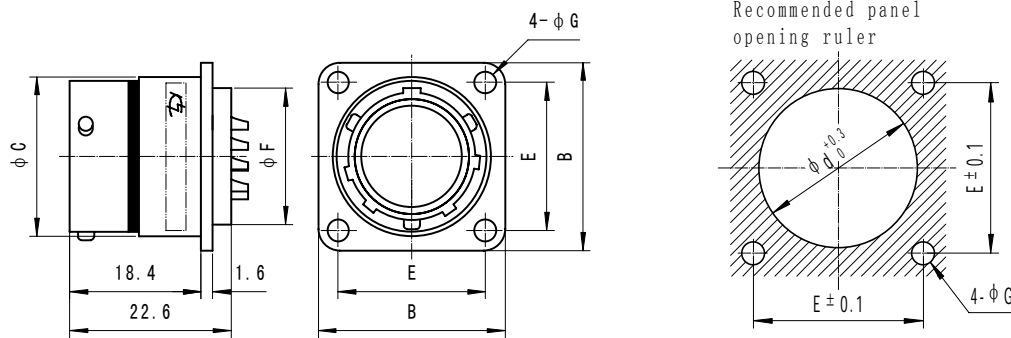
	Shell size	D	Thread V, Class 2A
		08	19.71
	10	23.01	0.6250-24UNEF
	12	27.38	0.7500-20UNEF
	14	28.98	0.8750-20UNEF
	16	32.16	1.0000-20UNEF
	18	34.93	1.0625-18UNEF
	20	38.35	1.1875-18UNEF
	22	41.28	1.3125-18UNEF
	24	44.70	1.4375-18UNEF

[Bayonet coupling receptacle LA83723/ 71₇₂]



Shell size	C	B	E	G	Thread V Class 2A	Applicable square flange cushion	d rear installation	d front installation
08	14.25	20.62	15.09	3.1	0.5000-20UNF	21E8-701-560-R5	14.80	13.20
10	17.68	23.80	18.26	3.1	0.6250-24UNEF	21E8-701-464-R5	18.20	16.40
12	22.23	26.19	20.62	3.1	0.7500-20UNEF	21E8-701-561-R5	22.70	19.50
14	23.75	28.58	23.01	3.1	0.8750-20UNEF	21E8-701-457-R5	24.30	22.70
16	26.97	31.75	24.61	3.1	1.0000-20UNEF	21E8-701-562-R5	27.50	25.90
18	30.15	34.11	26.97	3.1	1.0625-18UNEF	21E8-701-563-R5	30.60	27.50
20	33.32	36.50	29.36	3.1	1.1875-18UNEF	21E8-701-564-R5	33.80	30.70
22	36.50	39.67	31.75	3.1	1.3125-18UNEF	21E8-701-565-R5	37.00	33.80
24	39.67	43.26	34.93	3.9	1.4375-18UNEF	21E8-701-566-R5	40.20	37.00

[Bayonet coupling hermetic receptacle LA83723/79]



Shell size	C	B	E	G	F	Applicable square flange cushion	d rear installation	d front installation
08	14.25	20.62	15.09	3.1	12.70	21E8-701-560-R5	14.80	13.20
10	17.68	23.80	18.26	3.1	14.27	21E8-701-464-R5	18.20	14.80
12	22.23	26.19	20.62	3.1	19.05	21E8-701-561-R5	22.70	19.50
14	23.75	28.58	23.01	3.1	20.62	21E8-701-457-R5	24.30	21.20
16	26.97	31.75	24.61	3.1	23.80	21E8-701-562-R5	27.50	24.30
18	30.15	34.11	26.97	3.1	26.97	21E8-701-563-R5	30.60	27.50
20	33.32	36.50	29.36	3.1	30.15	21E8-701-564-R5	33.80	30.70
22	36.50	39.67	31.75	3.1	33.32	21E8-701-565-R5	37.00	33.80
24	39.67	43.26	34.93	3.9	36.50	21E8-701-566-R5	40.20	37.00