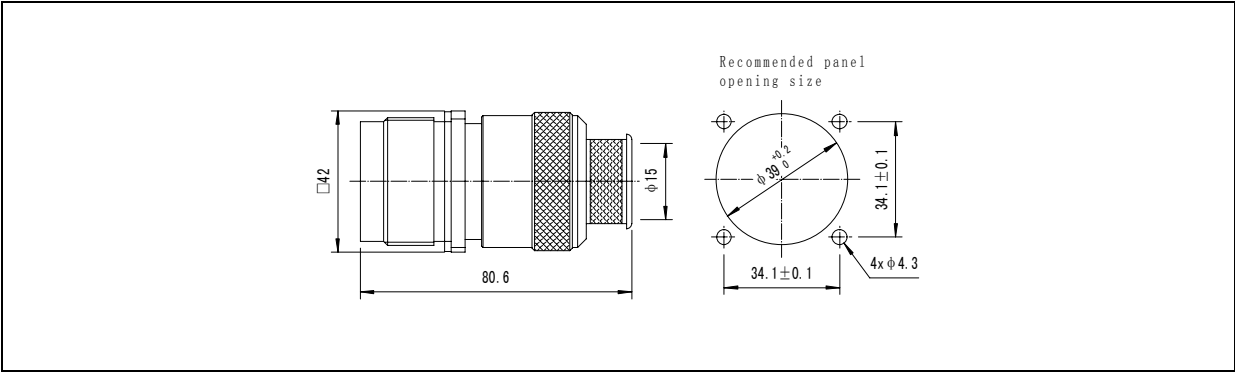
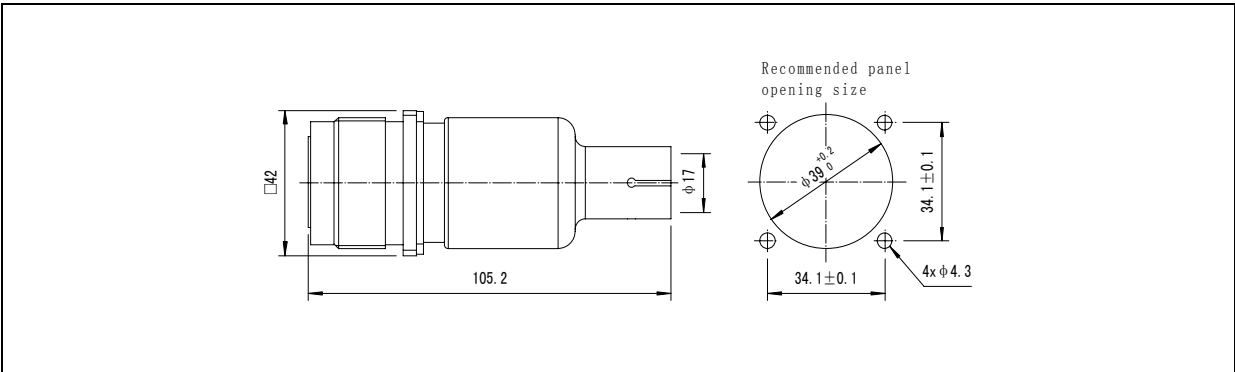


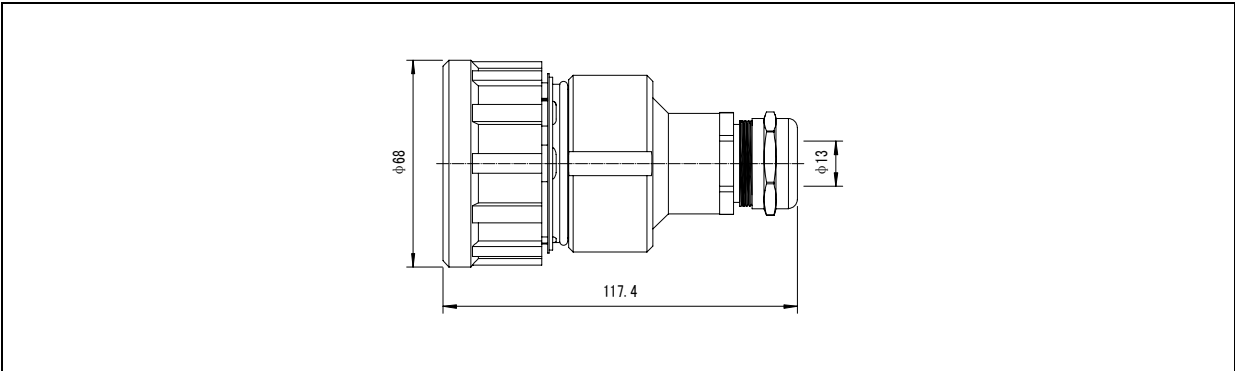
[Receptacle VAF0E1E091LZ0B]



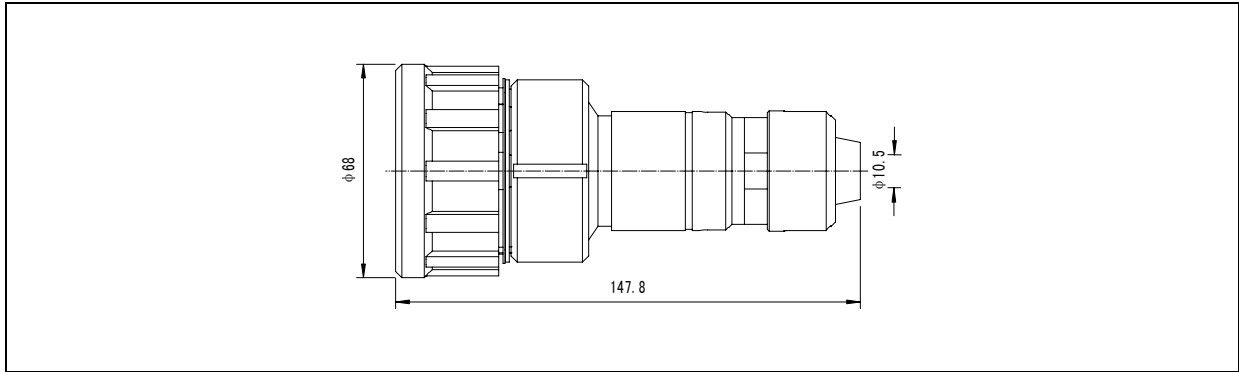
[Receptacle VAF0E1E071BN0A]



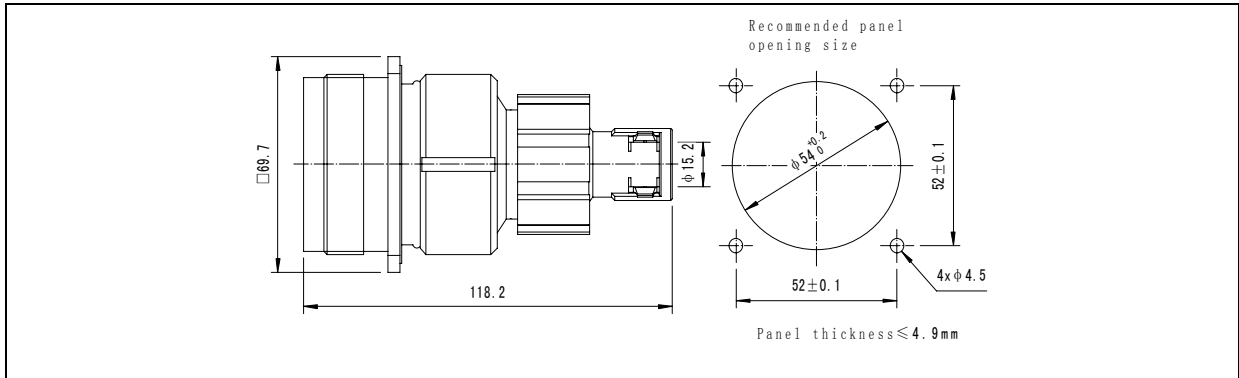
[Plug VAF0F1C195BU22B]



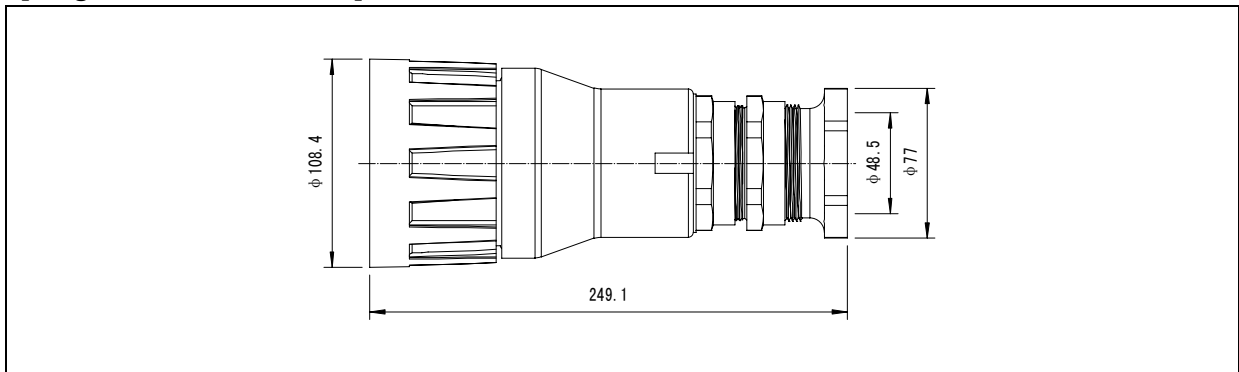
[Plug VAF0F1C195LW1A]



[Receptacle VAF0E1C191BG2B]



[Plug VAF0F0B045LT66B]



Contacts

| Size | Classification code | Pin/socket | Ordering P/N | Plating | Wire section (mm ²) | |
|------|---------------------|------------|-----------------|----------------|---------------------------------|------|
| | | | | | Min | Max |
| Φ2 | B | Pin | 21E6.570.1484Ag | Silver plating | 0.6 | 2.61 |
| | | Socket | 21E6.571.2606Ag | | | |
| Φ2 | B1 | Pin | 21E6.570.1484Au | Gold plating | 0.6 | 2.61 |
| | | Socket | 21E6.571.2606Au | | | |
| Φ12 | J | Socket | 21E6.571.2605Ag | Silver plating | 35 | 95 |

Note: extraction tool P/N for Φ2 contact is "QX-VAF-Φ2"(ordered separately)