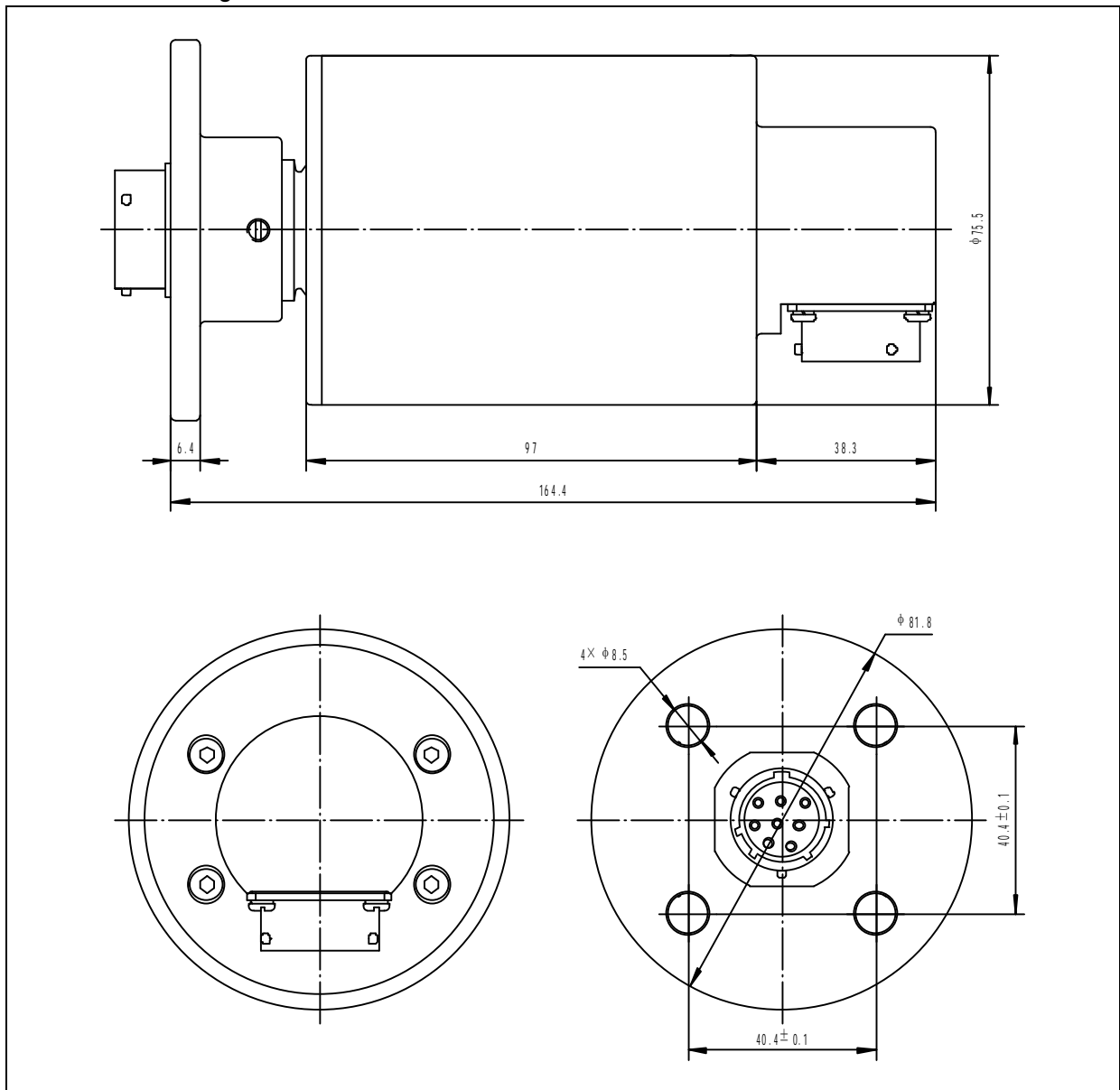
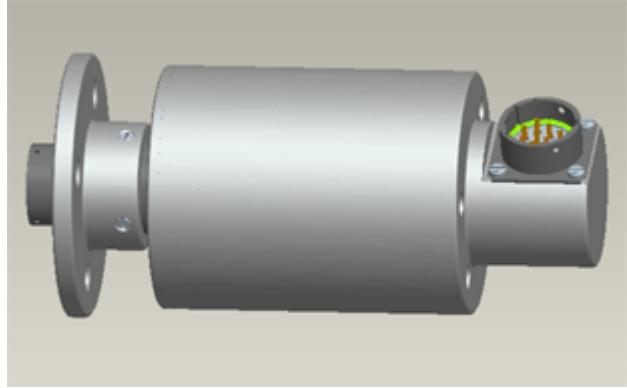


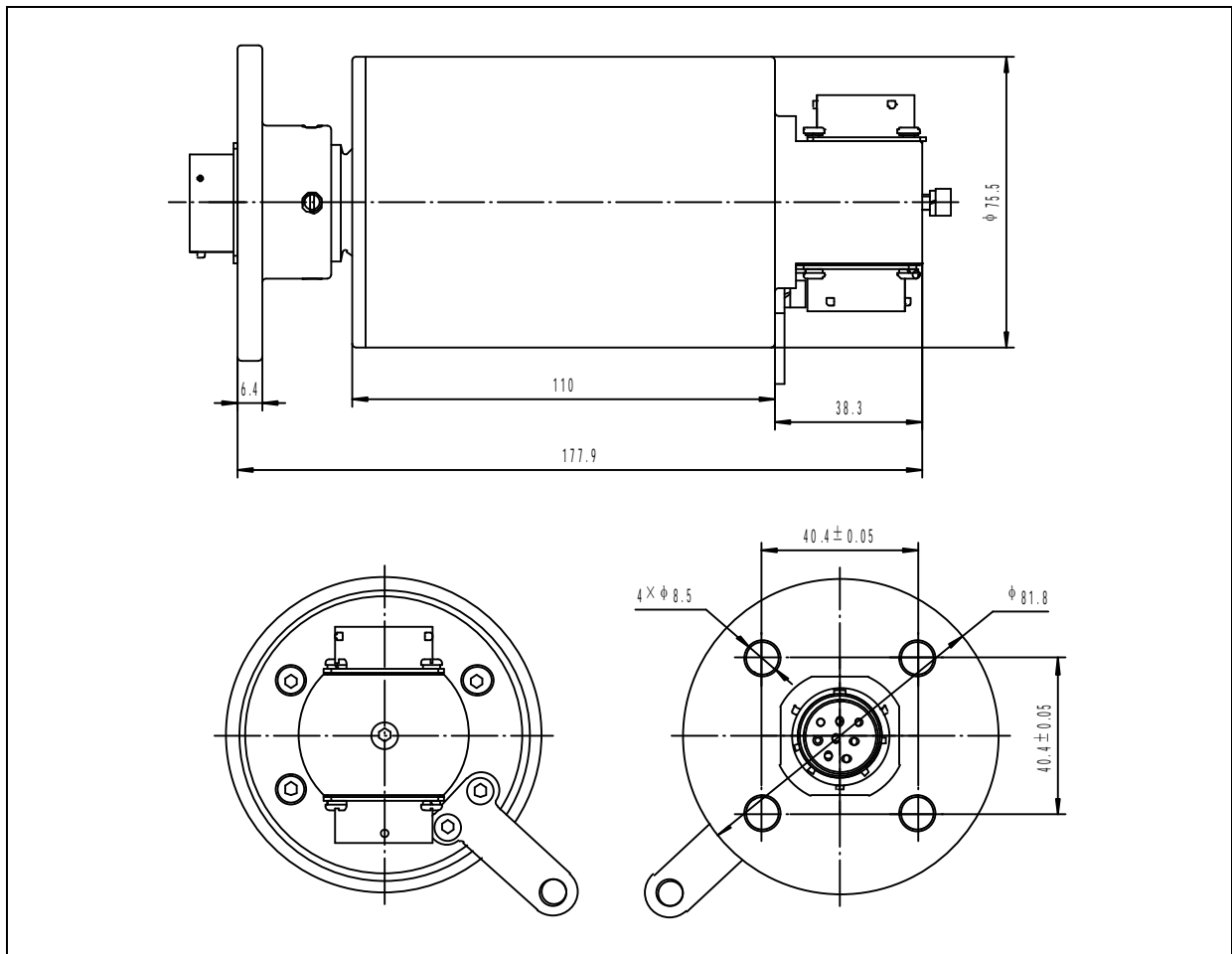
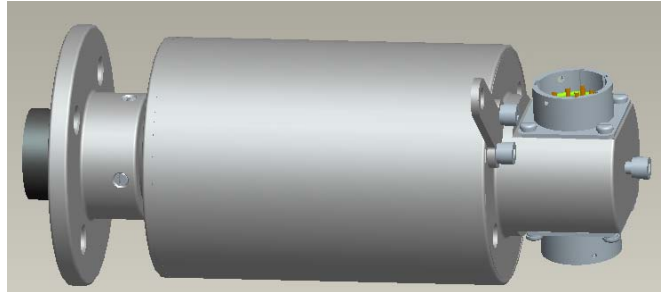
LA76-8P40

- Number of loop circuits: 8 loop circuits
(can be extended to 20 loop circuits)
- Rating current: 5A (7 circuits), 1
grounding circuit
- Insulation resistance: 500M Ω /500VDC
- Withstanding voltage: 1000V/DC/1min
- Dynamic resistance variation: $\leq 10\text{m}\Omega$
- Rotating speed: 0~120 circles/minute
- Operation Temp: $-40^{\circ}\text{C} \sim +75^{\circ}\text{C}$
- Protection degree: IP65



LA76-11P40

- Number of loop circuits: 11 loop circuits (can be extended to 20 loop circuits)
- Rating current: 1A (11 circuits)
- Insulation resistance: 500M Ω /500VDC
- Withstanding voltage: 600V/DC/1min
- Dynamic resistance variation: $\leq 10\text{m}\Omega$
- Rotating speed: ≤ 100 circles/minute
- Operation Temp: $-30^{\circ}\text{C} \sim +85^{\circ}\text{C}$
- Protection degree: IP67



LA76-2P40

- Number of loop circuits: 2 loop circuits
- Rating current: 1A
- Insulation resistance: 500M Ω /500VDC
- Withstanding voltage: 600V/DC/1min
- Dynamic resistance variation: $\leq 10\text{m}\Omega$
- Rotating speed: ≤ 100 circles/minute
- Operation Temp: $-30^{\circ}\text{C} \sim +85^{\circ}\text{C}$
- Protection degree: IP65

