

## PTZ Series

### Description

- High density and small size
- Straight mating & thread coupling
- Solder termination
- Interchangeable with Russia PC electrical connectors (comply with AB0.364.047 TY)
- Enterprise standard Q/21EJ171

### Main technical characteristic

- Contact size:  $\phi 1\text{mm}$
- Temperature:  $-55^{\circ}\text{C} \sim +125^{\circ}\text{C}$
- Operating voltage: 200V
- Contact resistance:  $\leq 0.005\Omega$
- Endurance: 300 cycles
- Vibration: 10~2000Hz, acceleration  $147\text{m/s}^2$
- Shock:  $490\text{m/s}^2$
- Lateral acceleration:  $490\text{m/s}^2$
- Salt spray: 96h

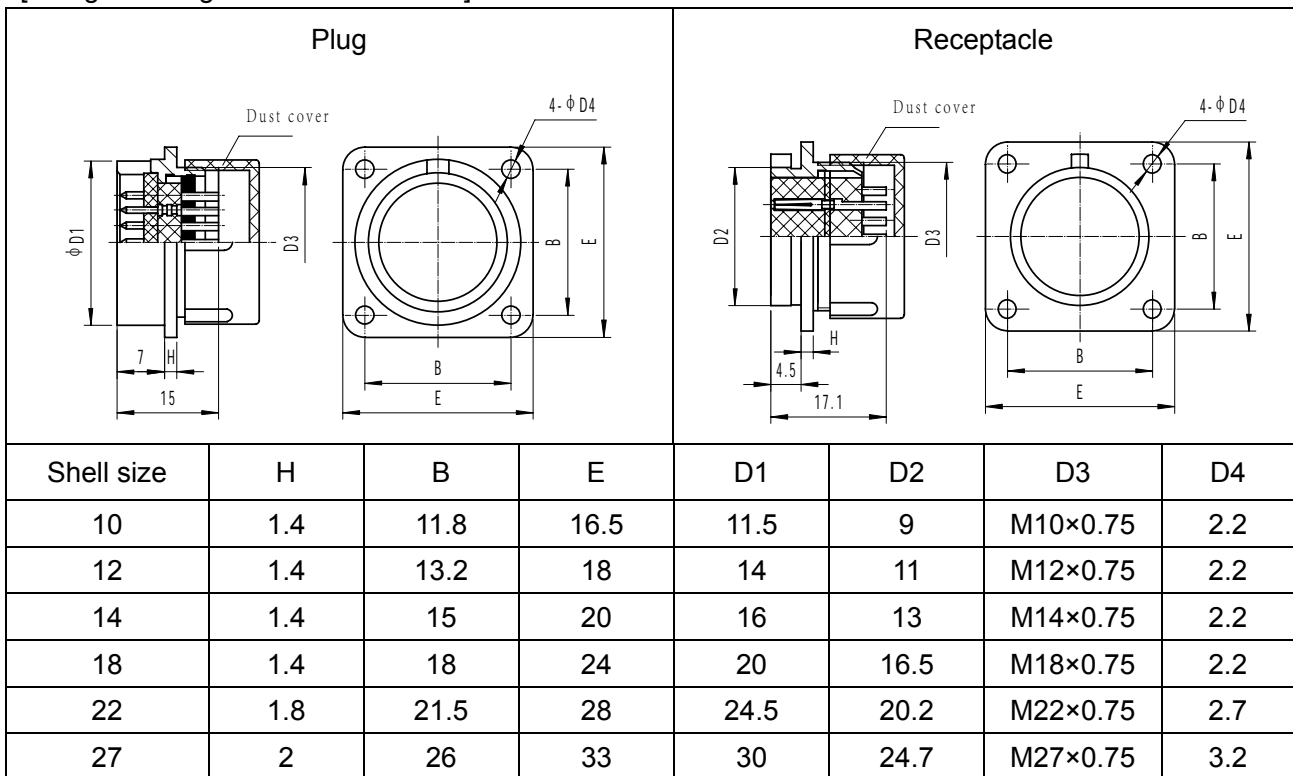
Operation condition	Rated voltage (V)	Withstanding voltage		Insulation resistance (M $\Omega$ )
		AC (V)		
Normal	200	1000		$\geq 1000$
Damp heat	200	500		$\geq 50$

### Ordering information

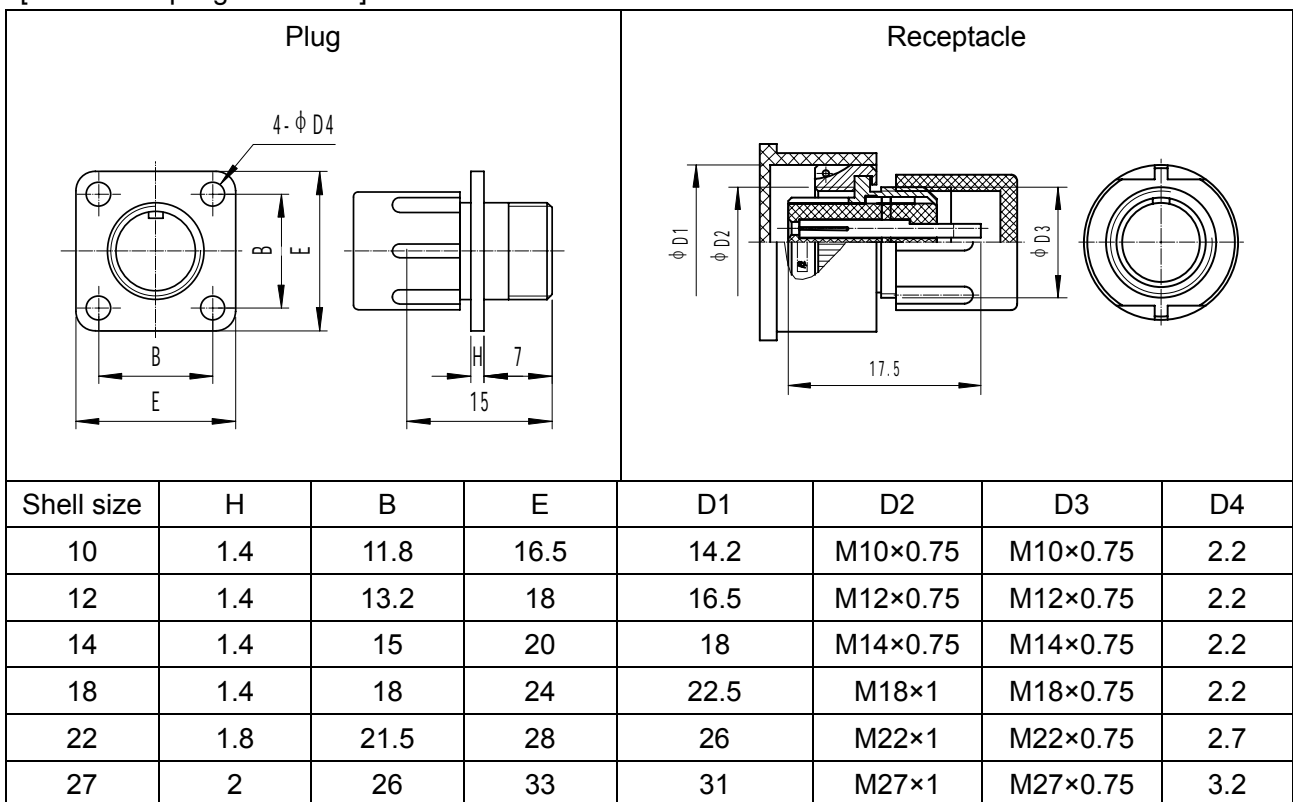
Basic series	PTZ	14	H	J	10	Z	L	P
Shell size	10-12-14-18-22-27							
Termination	H-solder							
Contact plating	(Blank) silver plating J-gold plating							
Contact No.	4, 7, 10, 19, 32, 50							
Connector type	T-Plug Z-Receptacle							
Coupling	(Blank) Straight mating L Thread coupling							
Shell plating	P- Zinc plating, iridescence (conductive plating) P <sub>1</sub> - Nickel plating (conductive plating) Blank- Sulfuric acid, anodized, chromate sealed treatment (Non-conductive plating)							

### Outline dimensions

[Straight mating electrical connector]



[Thread coupling connector]





[Back shell PTZ-FJ]

	P/N	L	A	B	H
	PTZ10FJ-5	19	12.5	10	16
	PTZ12FJ	23.5	14.5	12	16
	PTZ14FJ	26.5	16.5	14	22
	PTZ18FJ	28.5	20.5	18	22
	PTZ22FJ	30.5	24.5	22	27
	PTZ27FJ	32.5	30	27	27

**Insert arrangement ( Front face of pin inserts )**

<b>PTZ10-4</b>	<b>PTZ12-7</b>	<b>PTZ14-10</b>
<b>PTZ18-19</b>	<b>PTZ22-32</b>	<b>PTZ27-50</b>