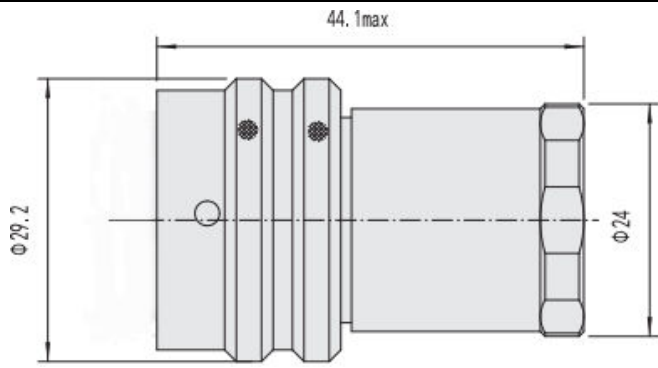




ZV85-1412TK(BK)/(YE)/(RE)/(BL)/(GR)-01

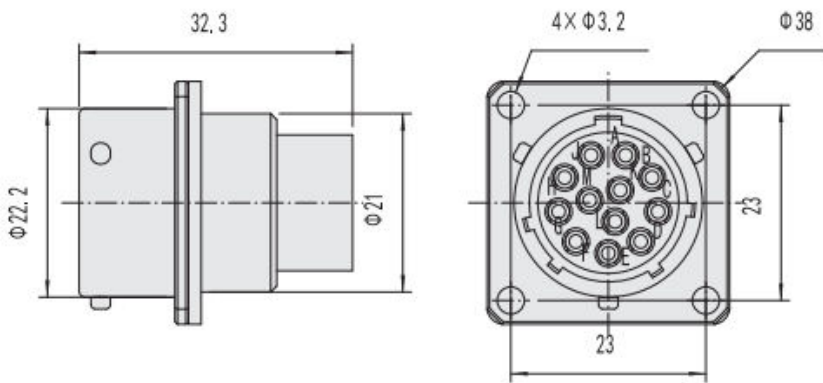


2D DRAWING



3D DRAWING

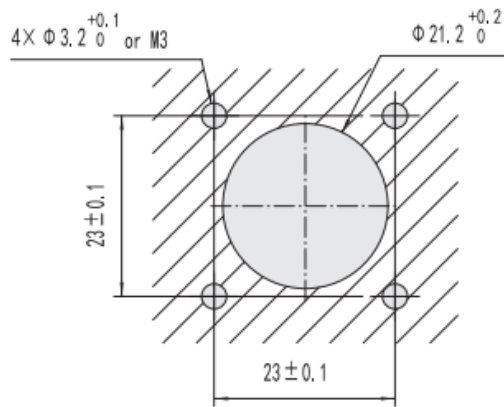
ZV85-1412ZJ(BK)/(YE)/(RE)/(BL)/(GR)-01



2D DRAWING



3D DRAWING



RECOMMEND PANEL CUT-OUT