

YN series Electrode by Assembly Plate

Product description

- Underground probe for logging equipment
- High environmental resistance
- Plate body was made of high-strength wear-resistant alloy steel, with good wear resistance

Main technical characteristics

Mechanical

—Vibration: 10~2000Hz 150 m/s²

—Shock: 1000m/s² 11ms

Environmental

---Operating temperature:-55°C~+175°C

-----relative temperature: temperature of 40°C±2°C up to 90%~95%(wet)

--- range; underground140MPa, high--pressure

175°C(high temperature region)

Electrical

—Current rating: 3A

—Withstanding voltage: 1000V

—Insulation resistance : ≥1000MΩ (At room temperature)

—Insulation resistance: ≥100MΩ (175°C)

—contact resistance: ≤10mΩ

Ordering information

basic series

25

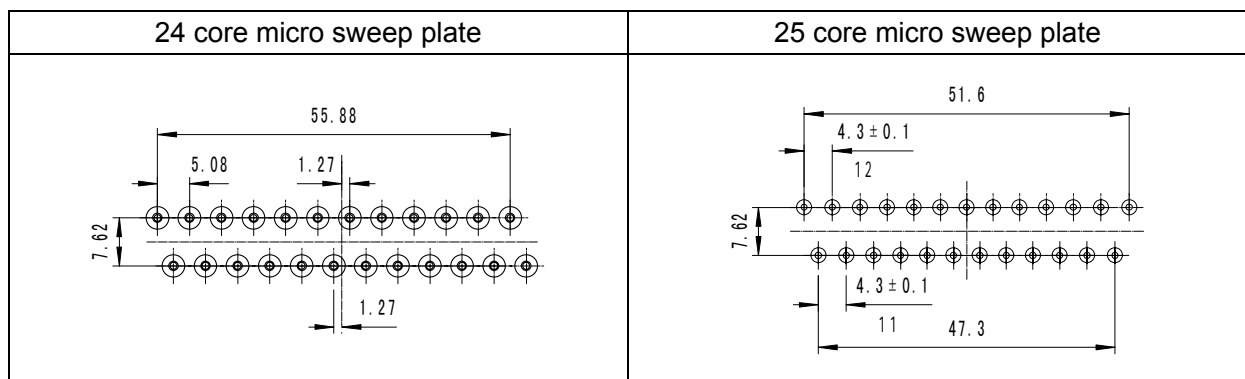
Z

YN-Electrode by assembly plate

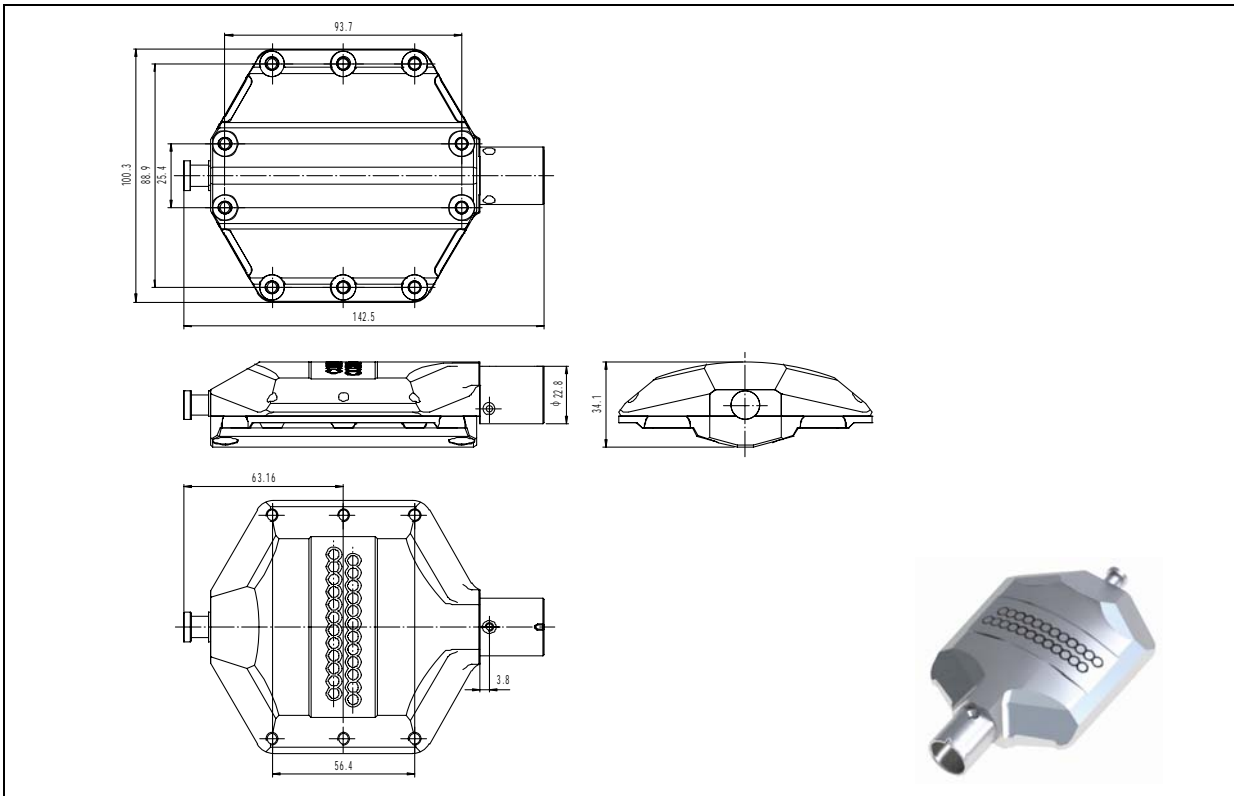
Electrode number

socket

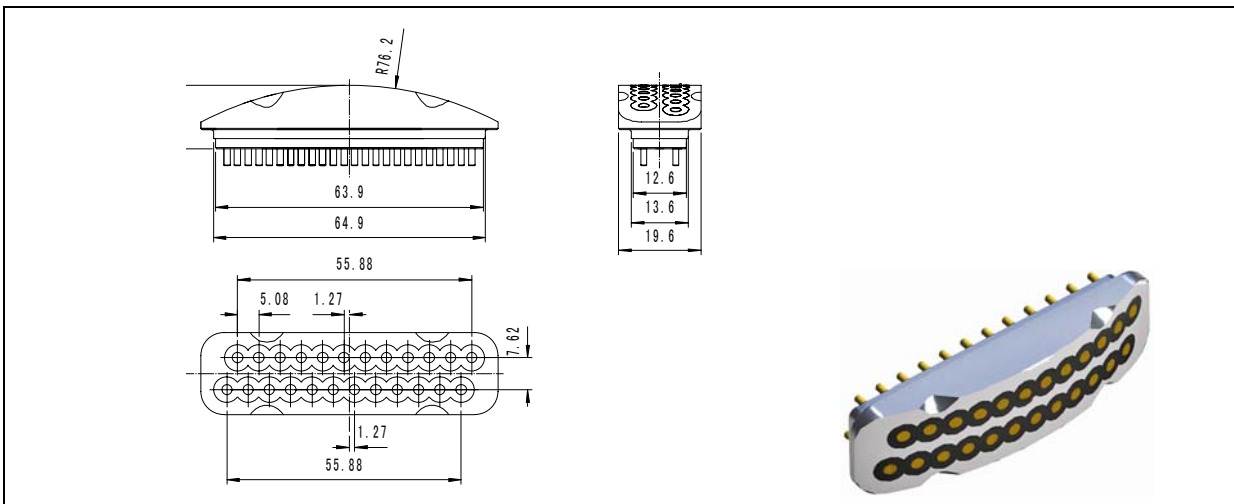
Contact layout



Dimensions
Socket YN24Z



YN24Z-02



YN25Z

