

## UL55C-III series PCB connectors

### Description

- Contacts on standard 2.54 mm
- High grade environmental resistance and high reliability,  
widely used in signal transportation of Petroleum industry  
and so on;
- Many types of inserts arrangement, dual row or triple row  
configurations available;
- Plugs and receptacles loaded with ether pins or sockets.



### Main technical characteristics

[mechanical]

—Vibration: 10~2000Hz 150 m/s<sup>2</sup>

—Shock: 1000m/s<sup>2</sup> 11ms

—Durability: 500 cycles

[Environment]

—Operating temperature: -55°C~+204°C

[Electrical]

—Rated current: 3A

—Withstanding voltage: 1000V

—Insulation resistance: ≥1000MΩ

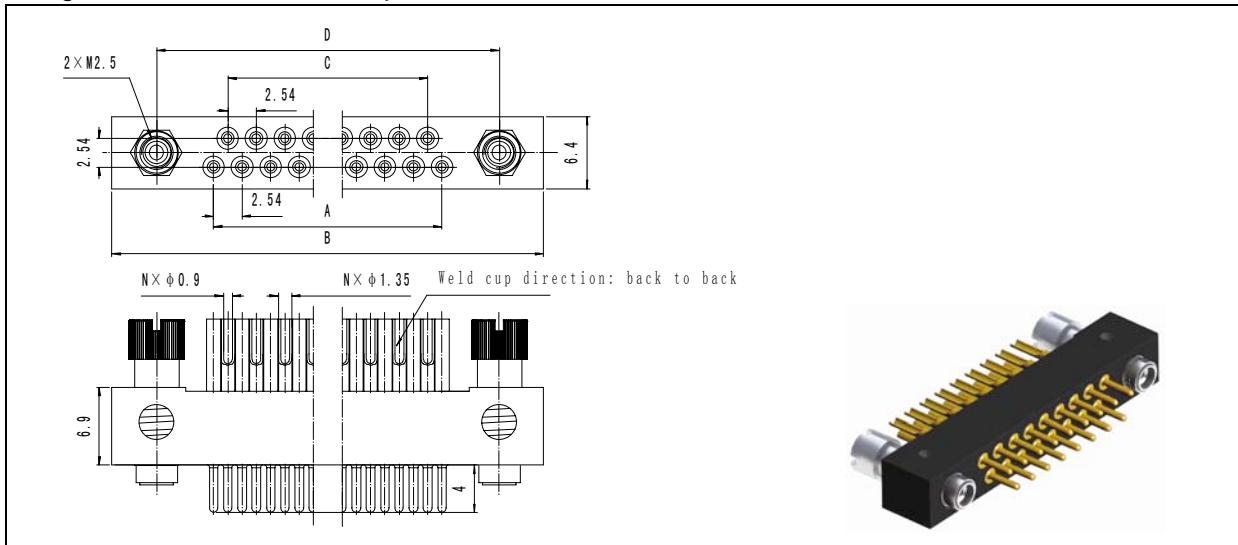
—Contact resistance: ≤10mΩ

### Ordering information

Basic series	UL55C-	27	T	L	III	H	J
Number of contacts	17, 26, 27, 29, 46...						
type	T-plug Z-receptacle						
Contact style	L-pin M-socket						
Temperature range	III— -55°C~+204°C						
termination	H- solder W- right angle mounting PCB solder termination B- straight PCB solder termination						
Contact plating	J- gold plating Blank- silver plating						
Modifying code	01, 02...						

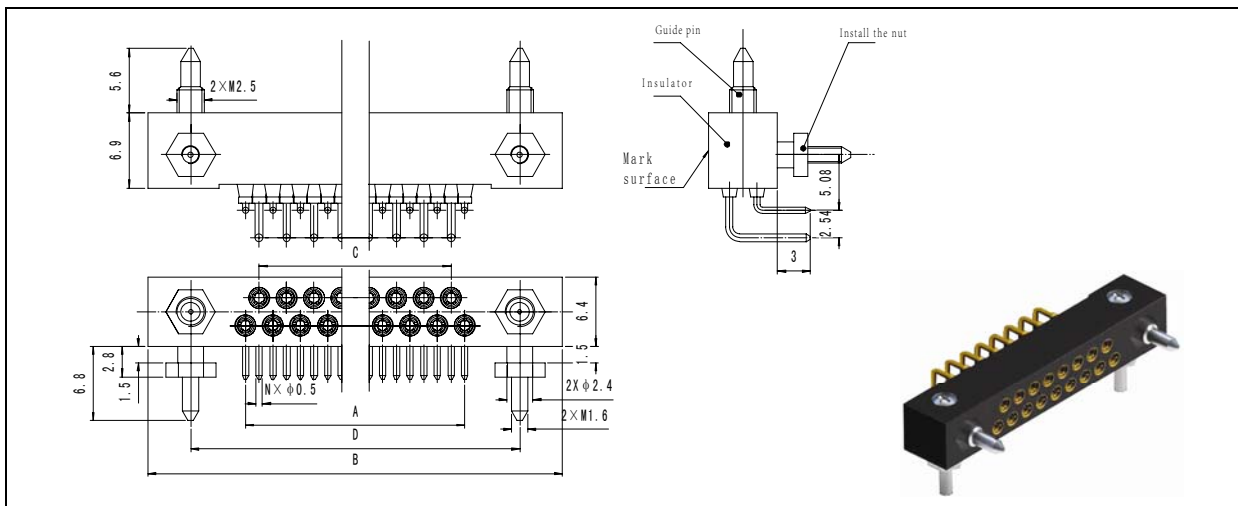
## Outline dimensions

Plugs with dual row soldered pins (UL55C-17TLIIIHJ, UL55C-27TLIIIHJ, UL55C-29TLIIIHJ)

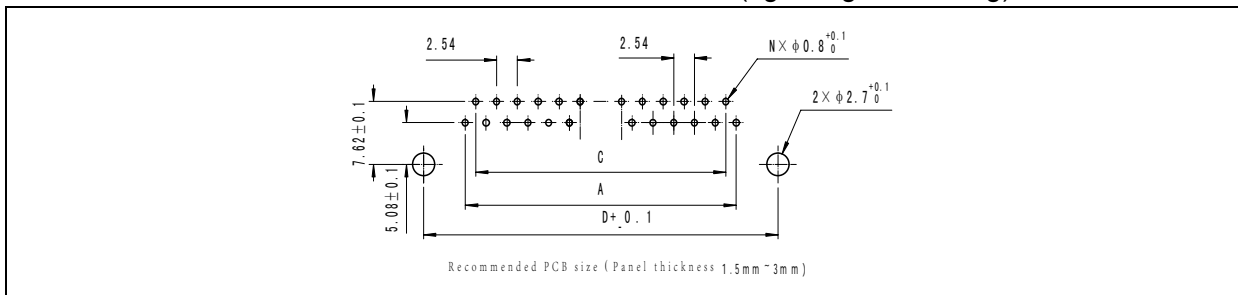


Right angle mounting PCB receptacles with dual row sockets

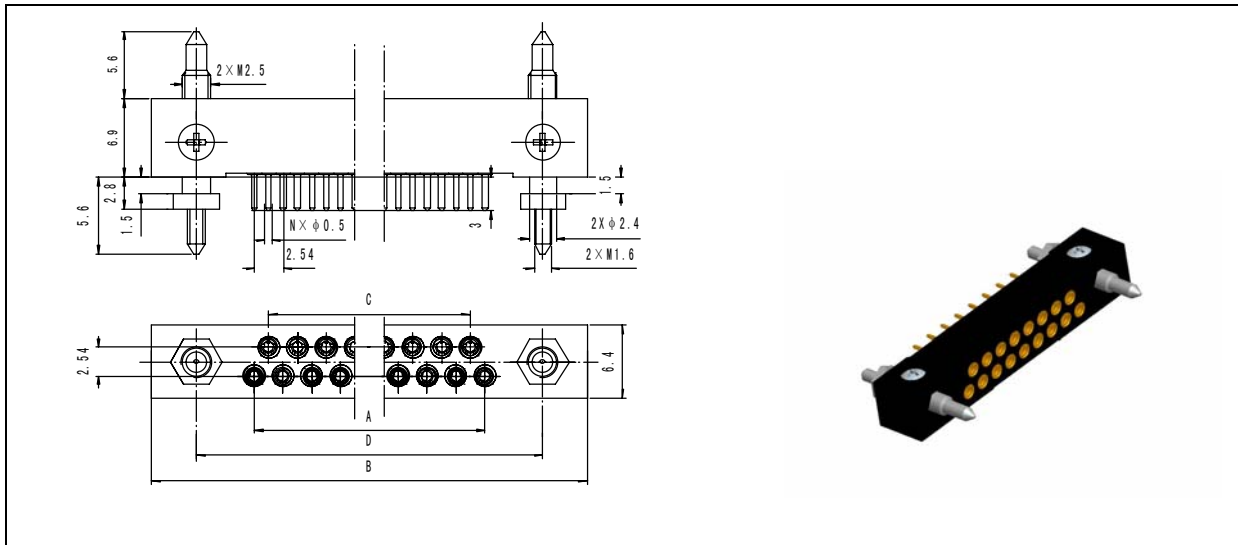
(UL55C-17ZMIIIWJ, UL55C-27ZMIIIWJ, UL55C-29ZMIIIWJ)



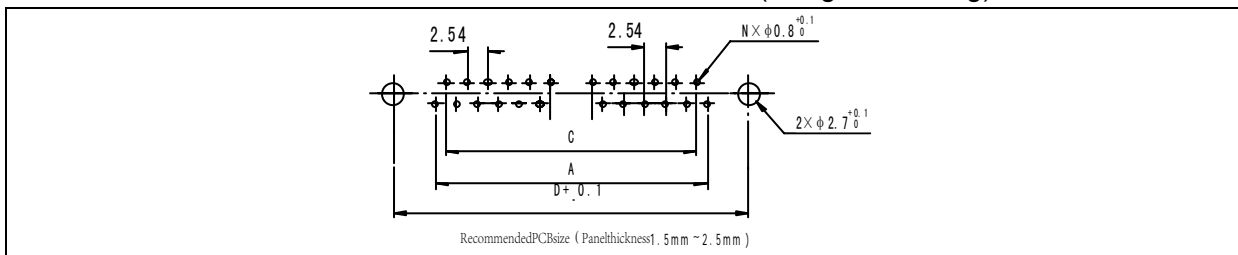
Recommended PCB cut-out dimensions (right angle mounting)



Straight PCB receptacles with dual row sockets (UL55C-17ZMIIIIBJ, UL55C-27ZMIIIIBJ, UL55C-29ZMIIIIBJ)

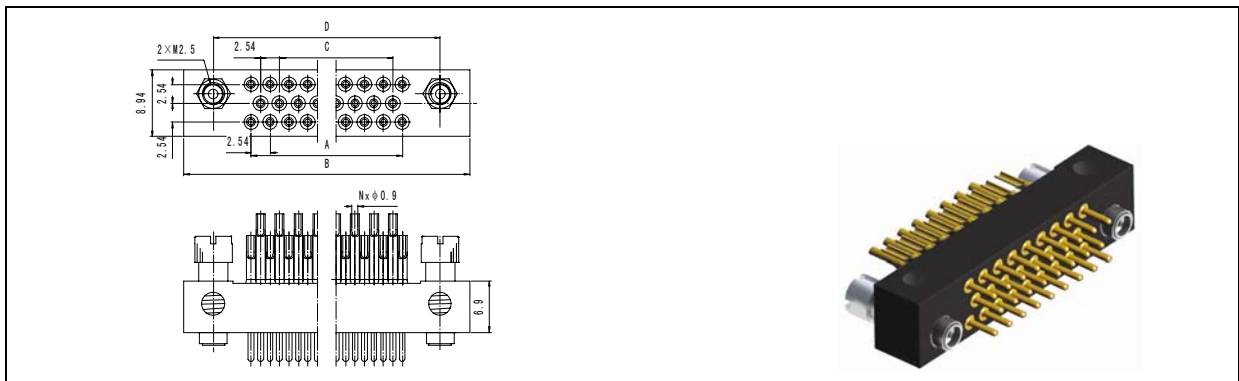


Recommended PCB cut-out dimensions (straight mounting)



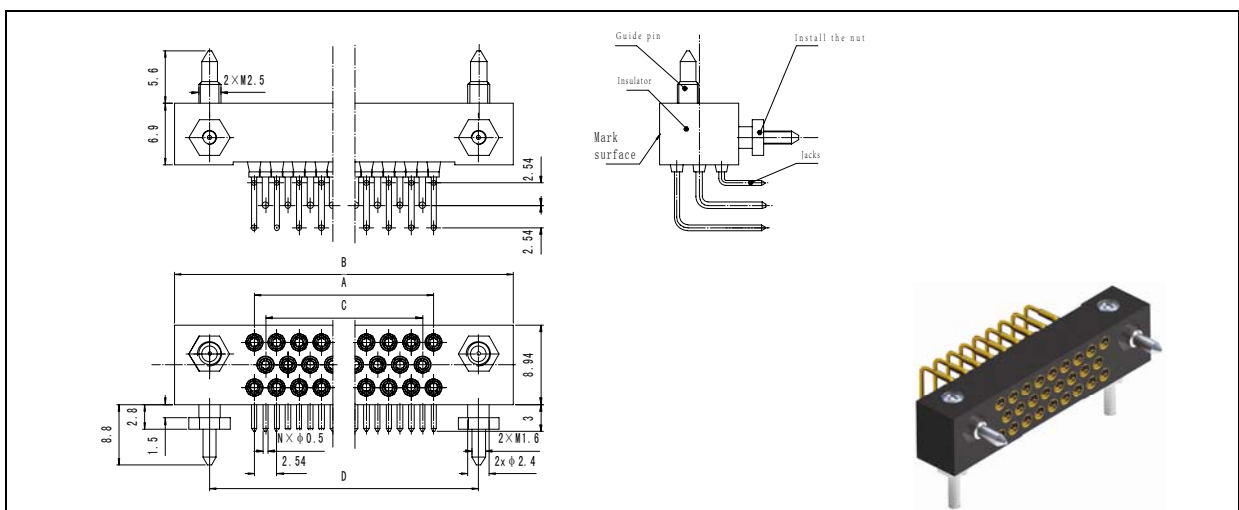
Part Number	A	B	C	D	N
UL55C-17TLIIIHJ					
UL55C-17ZMIIIWJ	17.78	38.5	20.32	30.48	17
UL55C-17ZMIIIIBJ					
UL55C-27TLIIIHJ					
UL55C-27ZMIIIWJ	33.02	51.2	30.48	43.18	27
UL55C-27ZMIIIIBJ					
UL55C-29TLIIIHJ					
UL55C-29ZMIIIWJ	35.56	53.74	33.02	45.72	29
UL55C-29ZMIIIIBJ					

Plugs with triple row soldered pins (UL55C-17TLIIIHJ-01, UL55C-26TLIIIHJ)

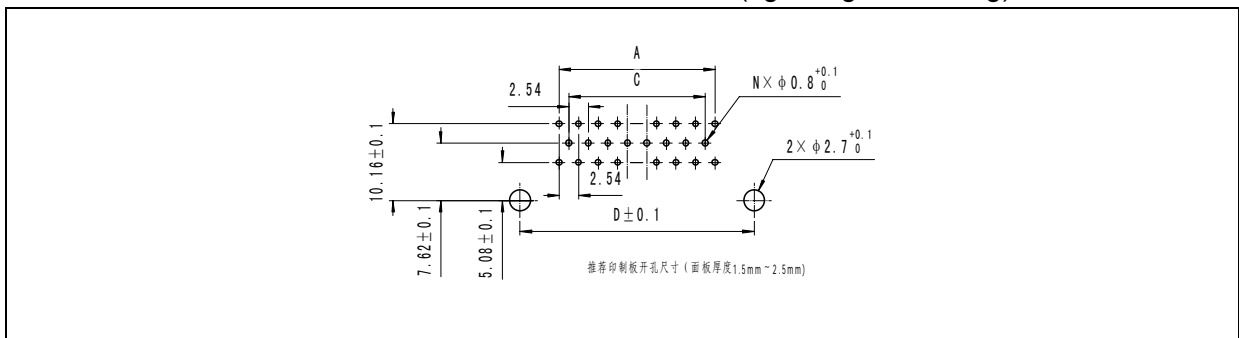


Right angle mounting PCB receptacles with triple row sockets

(UL55C-17ZMIIIWJ-01, UL55C-26ZMIIIWJ)



Recommended PCB cut-out dimensions (right angle mounting)



Part Number	A	B	C	D	N
UL55C-17TLIIIHJ-01	12.7	29	10.16	22	17
UL55C-17ZMIIIWJ-01					
UL55C-26TLIIIHJ	17.78	38.5	20.32	30.48	26
UL55C-26ZMIIIWJ					