

## GzD II series explosion-proof

### connectors Brief Introduction

- Applied in cable to equipments in severe environment like moist, or immerse.
- Protection degree: IP68
- Termination methods: soldering, crimping
- Plug and receptacle can both mount with pin or socket
- Plug and receptacle use thread coupling, differed with different color mark.
- Explosion-proof mark: (GzD II T6), comply with GB3836.1-2000, GB3836.2-2000



### Main Characteristics

#### [Mechanical performance]

- Shell: aluminium alloy (7075), anodized
- Insulator: thermoset material
- Grommet and sealing: silicon rubber
- Contact: copper alloy, silver plating
- Vibration: frequency 10Hz—2000Hz, acceleration 147 m/s<sup>2</sup>
- Shock: acceleration 490 m/s<sup>2</sup>
- Endurance: 50 cycles

#### [Electrical Performance]

—Rating voltage:

Operating environment	Rating voltage (DC or 50Hz AC)
Normal	380 V (Layout 2401 Rating Voltage 600V)
Damp heat	380 V (Layout 2401 Rating Voltage 600V)

—Insulator resistance: ≥5000MΩ

#### [Environmental performance]

- Operation Temp: -60°C~+125°C
- Relative humidity: 90%~95% at 40°C±2°C
- Salt spray: 96 hours
- Protect degree: IP68
- Application: area contains II series, T1~T6 explosion air
- Directions: please check explosion-proof mark before mounting

—Withstanding voltage:

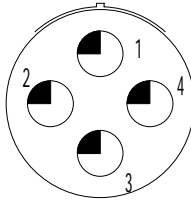
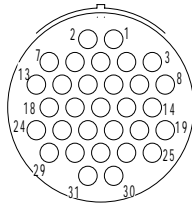
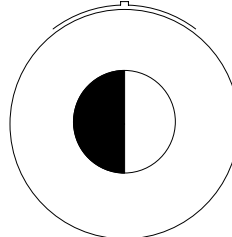
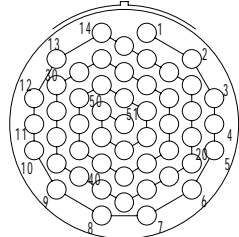
Operating environment	Withstanding voltage (DC or 50Hz AC)
Normal	2700 V (Layout 2451, 2031 withstanding voltage 2300V)
Damp heat	1000V (Layout 2451, 2031 withstanding voltage 500V)

## Ordering Information

<b>Basic series</b>	<b>GzD II</b>	<b>20</b>	<b>T</b>	<b>31</b>	<b>Z</b>
<b>Shell size:</b>	20, 24				
<b>Type</b>	T-plug F-square flange receptacle				
<b>Contact No.:</b>	see layout				
<b>Contact Type</b>	Z-pin, silver plating K-socket, silver plating				

## Layout

Insulator interface diagram for pin

2004		2031		2401		2451	
							
4-4#		31-12#		1-Φ 18		51-12#	
Creep age distance	14.88	Creep age distance	7.8	Creep age distance	11.3	Creep age distance	7.8
Electric clearance	12.03	Electric clearance	4.5	Electric clearance	11.3	Electric clearance	4.5

○ 12#   ● 4#   ◐ Φ 18

Contact size:

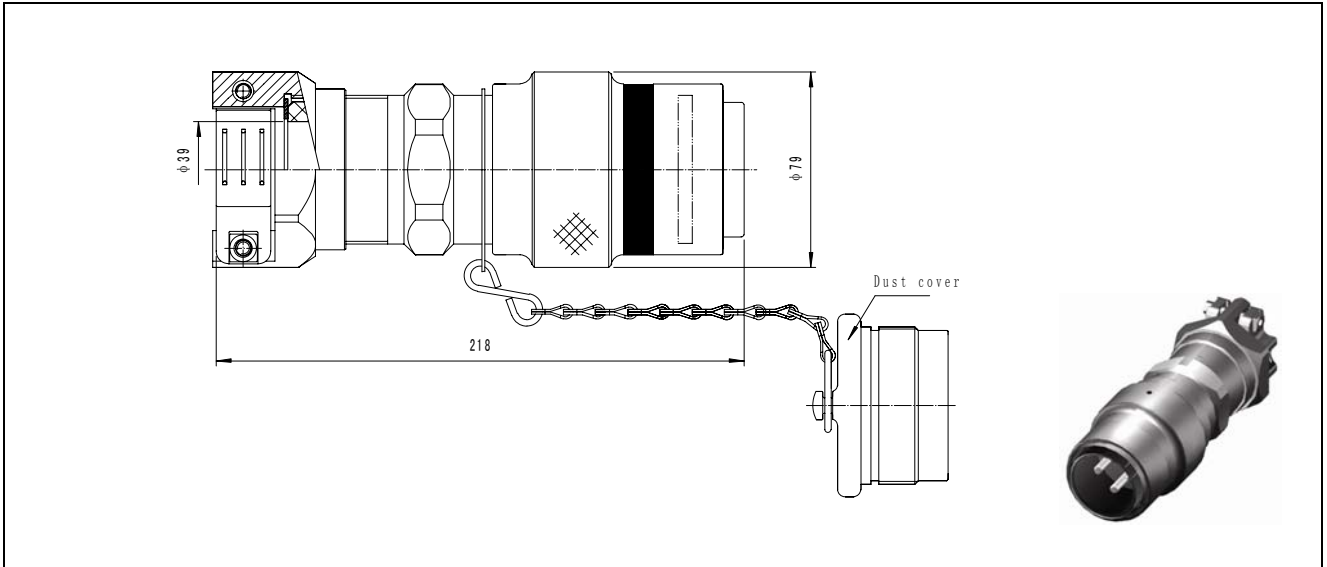
Contact size	Rating current (A)	Contact resistance (mΩ)	Crimping sleeve inner Dia. (mm)	Crimping sleeve section (mm <sup>2</sup> )	Crimping tool	Withdraw tool
Φ18	750	≤0.15	Φ25.4	506	—	—
4#	100	≤0.5	Φ7.34	42	YTQ	QX-C103-4#
12#	25	≤1	Φ3.2	8	XCXY-01	QX-C103-12#

rating current droop rate:

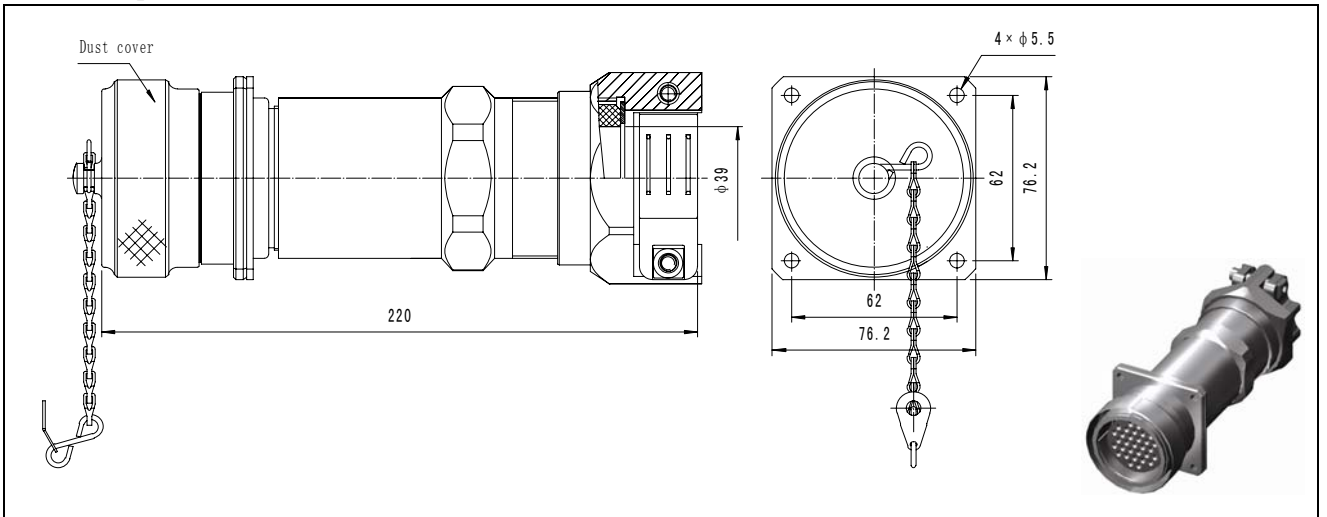
Contact size	1-10	11-20	21-30	31-61
Rated current droop rate (%)	0	10	20	30

## Dimensions

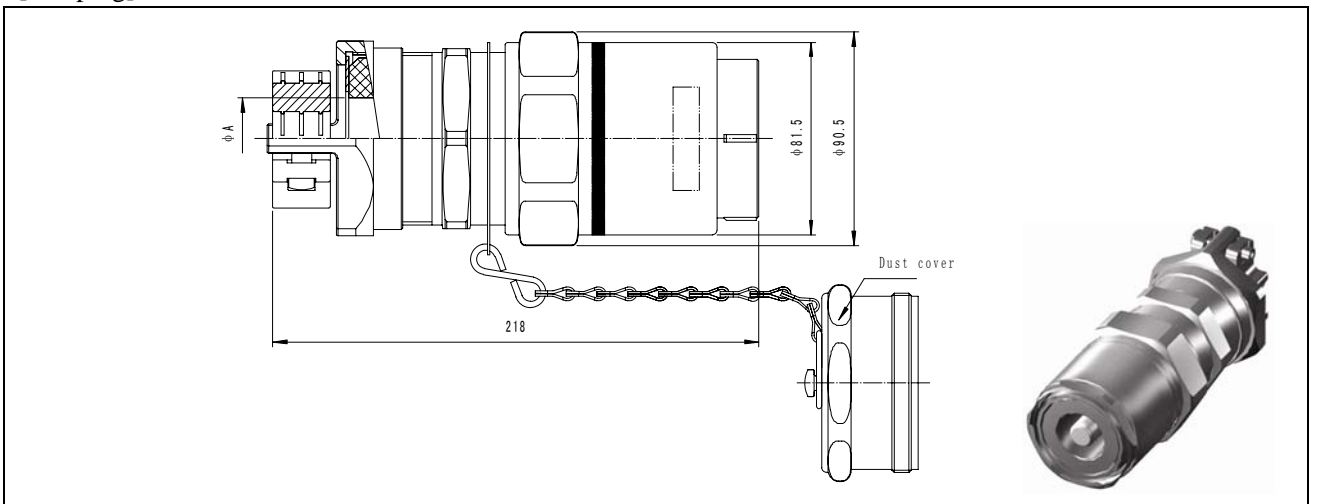
[20# plug]



[20# receptacle]



[24# plug]



[24# receptacle]

