

## EV400 series electrical connector

### Brief Introduction

- Apply with ILD 598 (MIL-C-26482) I series.
- Bayonet Type
- Termination: straight PCB type.
- Small size, high density, reliable environmental performance
- Widely used in oil exploration equipment in land or sea.
- Company standard: 21E0.204.121JT



### Main Performance

#### Mechanical

- Shell: stainless steel, enhanced shell key slot on shell is widen, shell is thicker
- Plating: Passive stainless steel
- Insulator: Glass (glass fusion), silicon rubber
- Random vibration: Frequency 10~2000Hz    Acceleration: 98m/s<sup>2</sup>
- Shock: Acceleration 490m/s<sup>2</sup>
- Endurance: 500 cycles

#### electric property

- rated current: 13A
- withstand voltage: normal temperature 2300V AC
- dielectric resistance: normal temperature ≥5000MΩ

#### environmental performance

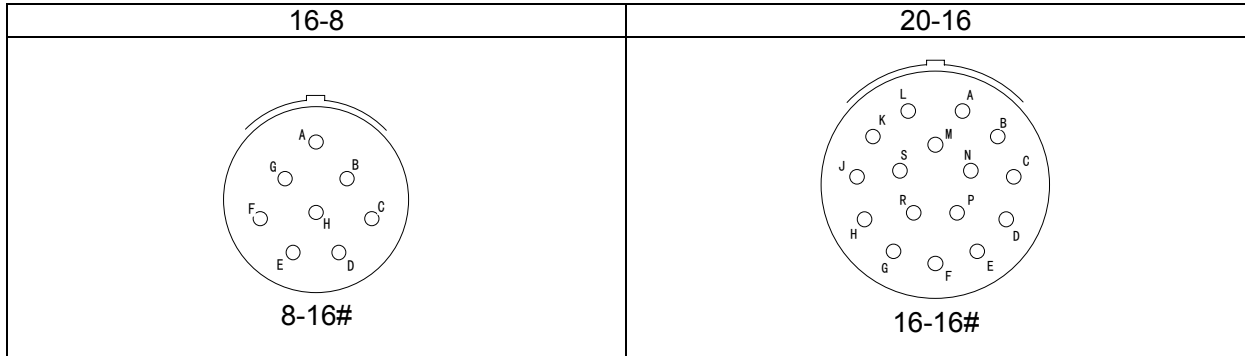
- operating temperature: -55℃ ~ +125℃
- relative humidity: 95±4% at 40℃
- salt spray: 48 hours
- leakage rate: differential pressure 1×10<sup>5</sup> Pa, leakage rate is below 0.1Pa cm<sup>3</sup>/s
- protection level: IP67

### Order information

<b>series name</b>	<b>EV400</b>	<b>M</b>	<b>16</b>	<b>L</b>	<b>8</b>	<b>P</b>	<b>N</b>
<b>code meaning</b>							
M- glass fusion							
<b>shell no</b>							
16、20							
<b>mounting type</b>							
L- screw nut							
<b>contact quantity</b>							
Please refer contact arrangement							
<b>contact type</b>							
P- pin							
<b>key position</b>							
N							

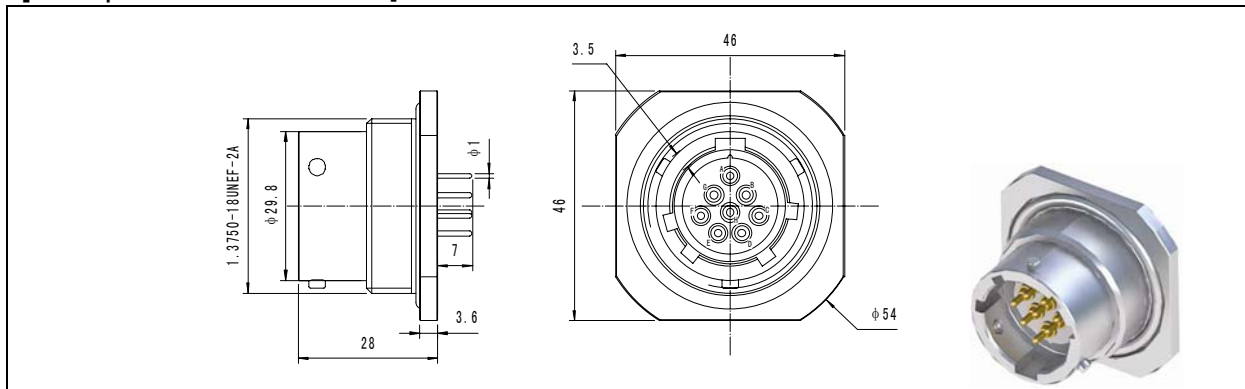
## Contact arrangement

(insulator interface for pin)

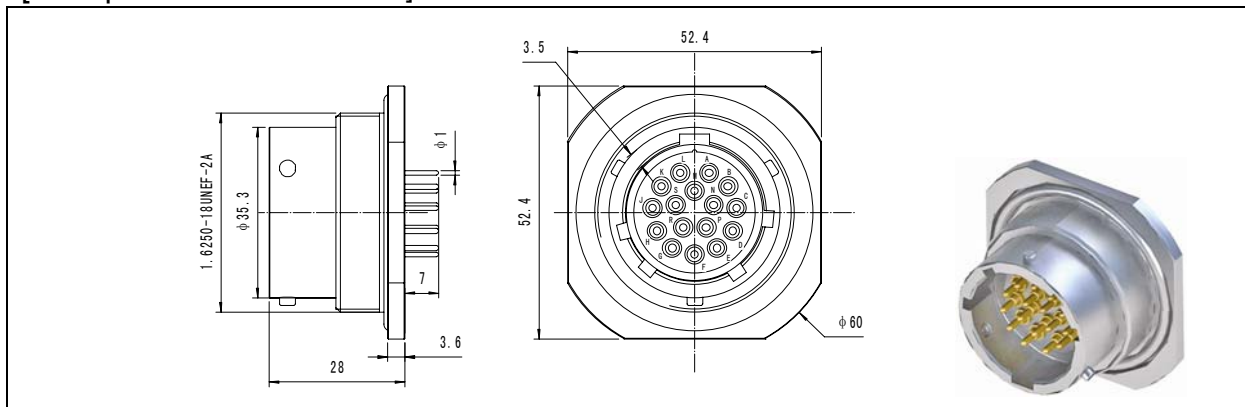


## Dimension

[Receptacle EV40016L8PN]



[Receptacle EV40020L16PN]



- note: 1. The thickness of the shell of the series product is  $3.5 \pm 0.2$ mm  
 2. Screw nut is not included; it's needed to be ordered alone.