

# AVE Series Non-pressure Electrical connectors

## Products description

- Applicable to the field of petroleum well logging, high-voltage signal transmission.
- Welded contact with pieces of desirable unloading structure
- A variety of core number to choose.
- Providing non-magnetic products



## Main technical characteristics

### Mechanical

- Shell: stainless steel, copper alloy
- Insulator: PEEK
- contact; copper alloy with gold plated.
- Endurance: 500 cycles

### Environmental

- Operating temperature: -55°C~+175°C

### Electrical

#### —Current rating:

work environment	Current rating (A)	
	Φ2	12#
20°C	20	23
175°C	6.8	9

#### —Withstanding voltage:

work environment	Withstanding voltage (V, test time 1mm)	
	Φ2	12#
Room temperature	1500	3000
Hot and humid state	1000	1500

#### —contact resistance:

contact size	contact resistance (mΩ)
Φ2	≤2.5
12#	≤2

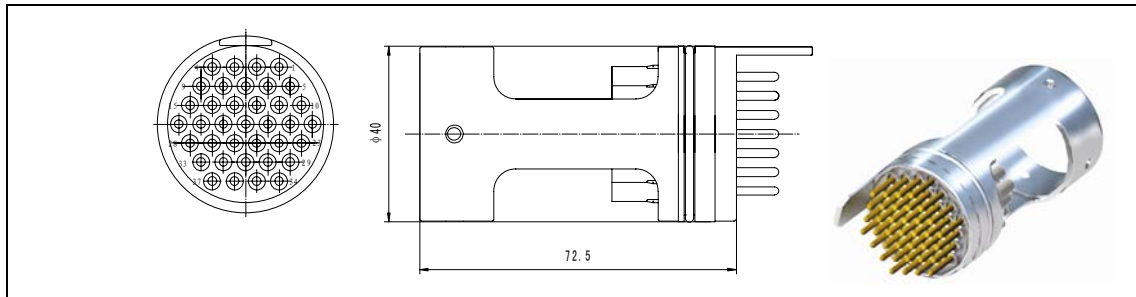
#### —Insulation resistance:

Operating environment	Insulation resistance (MΩ)	
	Φ2	12#
Room temperature	1500	3000
Hot and humid state	1000	1500

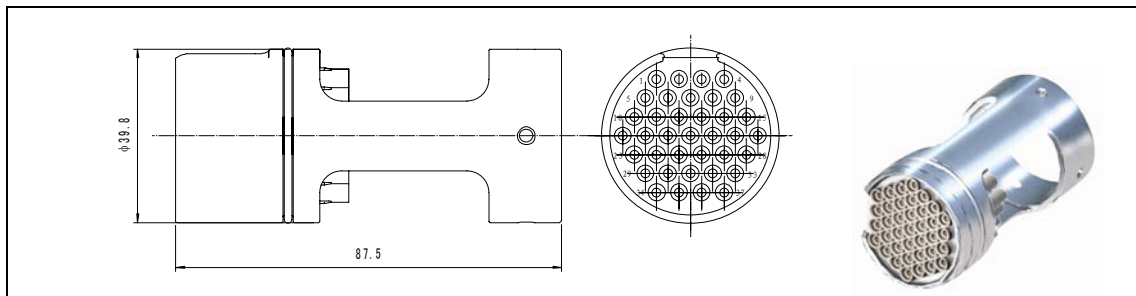
## Ordering information

Basic series	70-	31	T
AVE--Oilfield logging electrical connector			
Shell size 40、 56、 70、 76 (plug largest shell outer diameter)			
Contact number			
22、 29、 31、 35、 37、 60 、 61			
Plug ,socket type			
T-Plug Z-Socket			

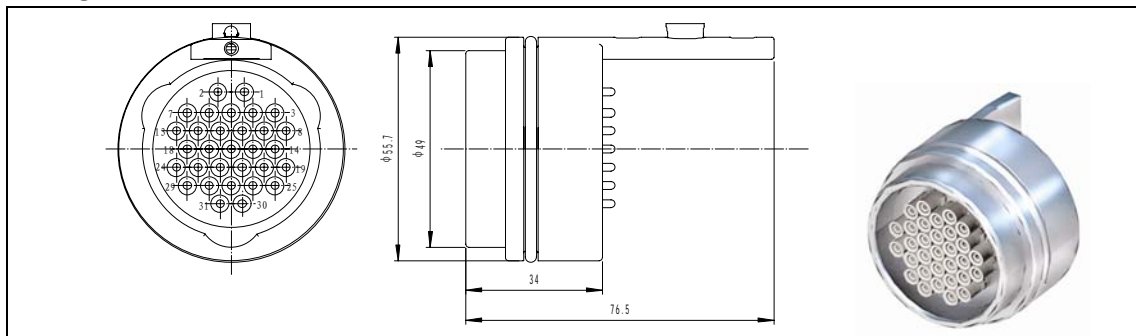
### Dimensions [Plug AVE40-37T]



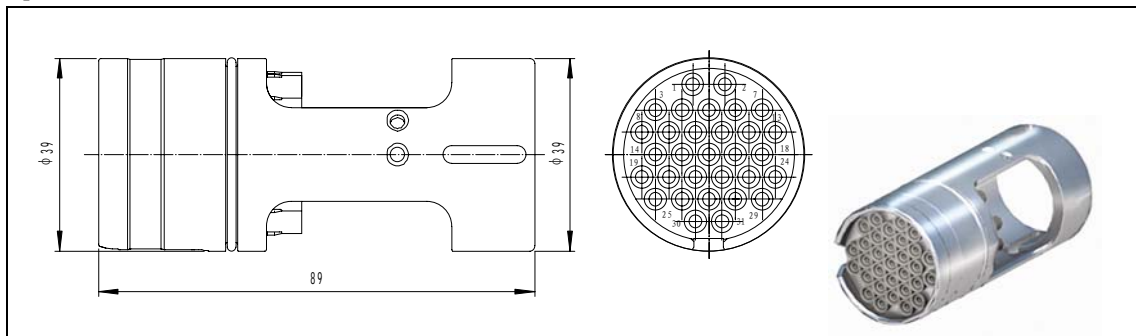
[Socket AVE40-37Z]



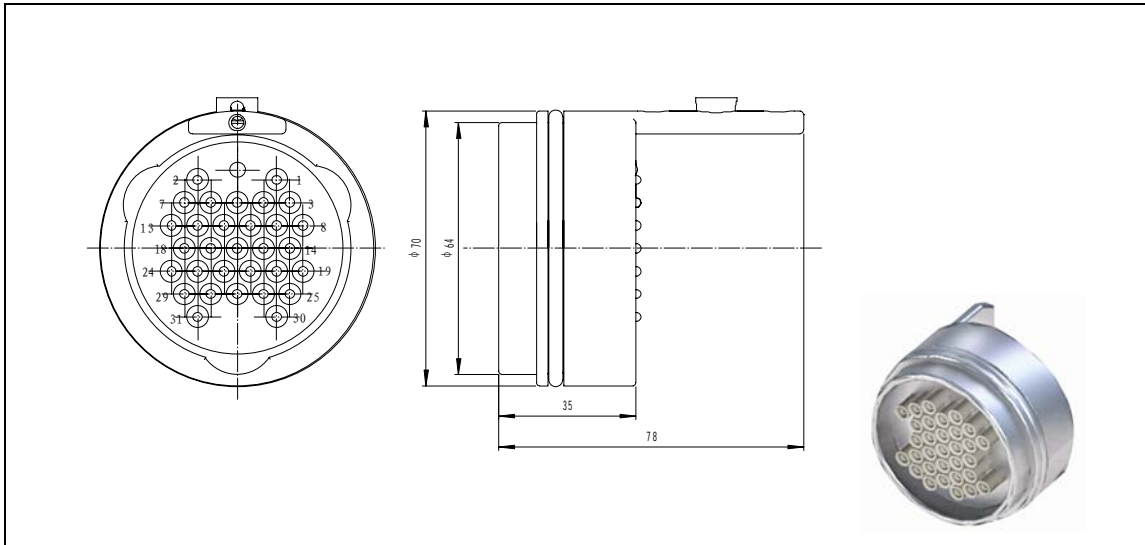
[Plug AVE56-31T]



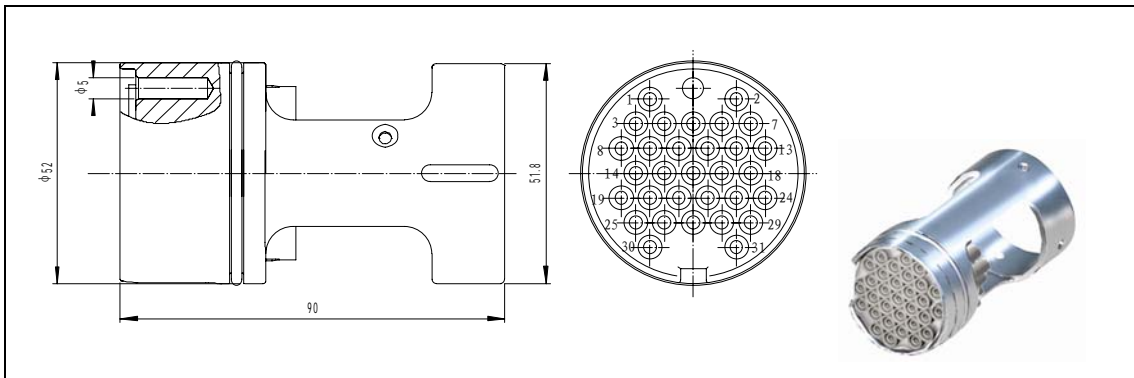
[Socket AVE56-31Z]



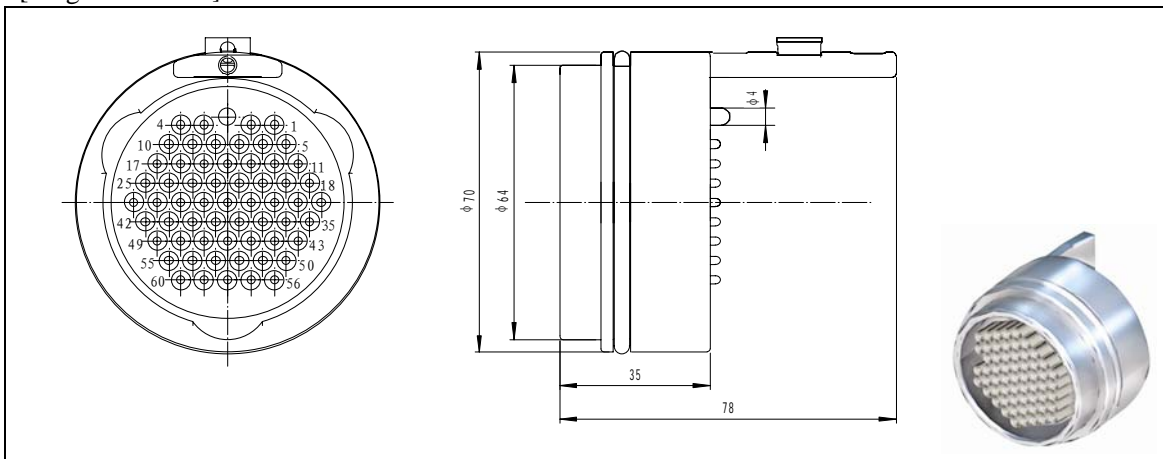
[Plug AVE70-31T]



[Socket AVE70-31Z]



[Plug AVE70-60T]



[Socket AVE70-60Z]

