

ZEI Series

Description

ZEI series designed according to ten years of experience and customer's opinion applies new technology, new process and new material and can be interchangeable with XC series products. It features are:

- Quick and safety coupling system
- Reliable sealing system:

Sealing cushion between the plug and receptacle insulates the contact from the outer environment with excellent sealing performance and water proof. The connector can withstand 0.3 atmospheres.

Standard: 21E0.204.080JT



Main technical characteristics

[Mechanical]

- Shell: high strength aluminum alloy, Shielding plating: olive-green, zinc plating, passive, electroless nickel plating Non-shielding plating: black anodized
- Insulator: thermosetting
- Contact material: copper alloy, gold plating or silver plating
- Vibration: frequency 10~2000Hz acceleration: 196 m/s²
- Shock: acceleration 980 m/s²
- Constant acceleration: 980 m/s²
- Endurance: 1000 cycles

[Electrical]

— Contact resistance and current rating

Contact size (mm)	Contact resistance (mΩ)	Rated current (A)	I.D. of barrel (mm)
φ1.0	≤5	5	φ1.4
φ1.5	≤2.5	10	φ2.0
φ2.0	≤1.25	20	φ2.5
φ3.0	≤0.75	40	φ3.0
φ4.5	≤0.35	65	φ4.5

— Rated voltage, withstanding voltage and Insulation resistance:

Operation environment	Rated voltage (V)	Withstanding voltage (V)	Insulation resistance (MΩ)
Normal temp.	500	≥1500	≥5000
Damp heat	500	≥750	≥100
Altitude (1kPa)	150	≥200	

— Continuity between shells
Aluminum alloy shell ≤2.5mΩ

[Environmental]

— Operation temperature: -55°C~+200°C

— RH: 95% at 40°C

— Salt spray:

96h for electroless nickel plating

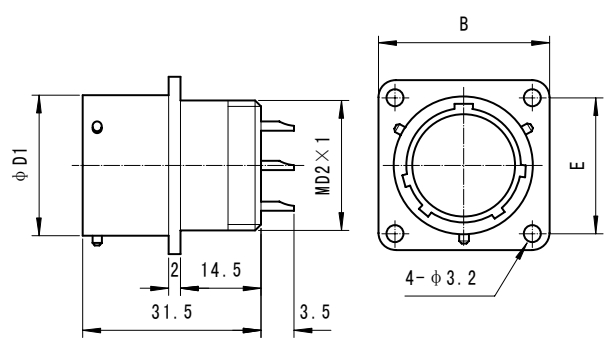
1000h for stainless steel passive

— Altitude: 30000m

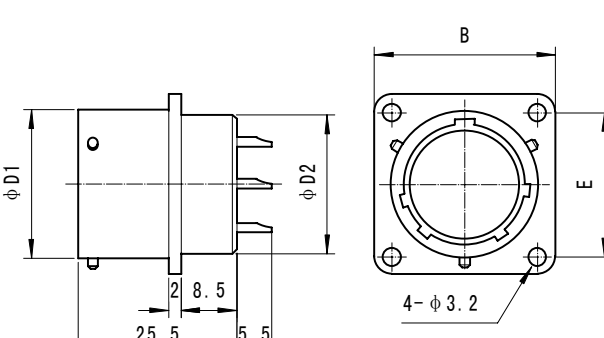
— Hermetic: 35.5kPa

Humidity resistance, corrosion resistance, rain resistance, fungus resistance, and dust proof.

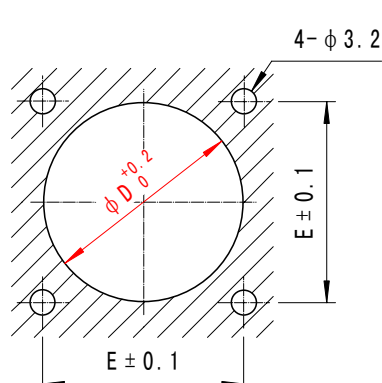
ZEI receptacle (thread termination)

	shell size	D1	D2	B	E
	14	15.7	14	25	19
	18	19.7	18	27.5	21.5
	22	23.7	22	30	24
	24	25.7	24	32	26
	27	28.7	27	34.5	28
	30	31.7	30	36.5	30
	33	34.7	33	39.5	32.5
	36	37.7	36	41	34
	39	40.7	39	43	36

ZEI receptacle (non-thread termination)

	shell size	D1	D2	B	E
	14	15.7	14	25	19
	18	19.7	18	27.5	21.5
	22	23.7	22	30	24
	24	25.7	24	32	26
	27	28.7	27	34.5	28
	30	31.7	30	36.5	30
	33	34.7	33	39.5	32.5
	36	37.7	36	41	34
	39	40.7	39	43	36

ZEI receptacle recommended panel cut-out dimension

	shell size	D	E
	14	14.3	19
	18	18.3	21.5
	22	22.3	24
	24	24.3	26
	27	27.3	28
	30	30.3	30
	33	33.3	32.5
	36	36.3	34
	39	39.3	36

