

壳体号 36	129 I 129-φ 0.635	2 I 2-φ 10	3 I 3-φ 4.5	4 I 4-φ 4.5	6 I 1-φ 10, 5-φ 2.0
	16 I 16-φ 3.0	35 I 4-φ 3.0, 13-φ 1.5 2-φ 2.0, 15-φ 1.0	36 I 12-φ 2.0, 6-φ 1.5 18-φ 1.0	37 I 37-φ 1.5	47 I 2-φ 3.0, 2-φ 2.0 4-φ 1.5, 39-φ 1.0
	48 I 4-φ 2.0, 12-φ 1.5 32-φ 1.0	51 I 8-φ 1.5, 43-φ 1.0	62 I 62-φ 1.0	55 I 55-φ 1.0	



ZE370 Series Accessories

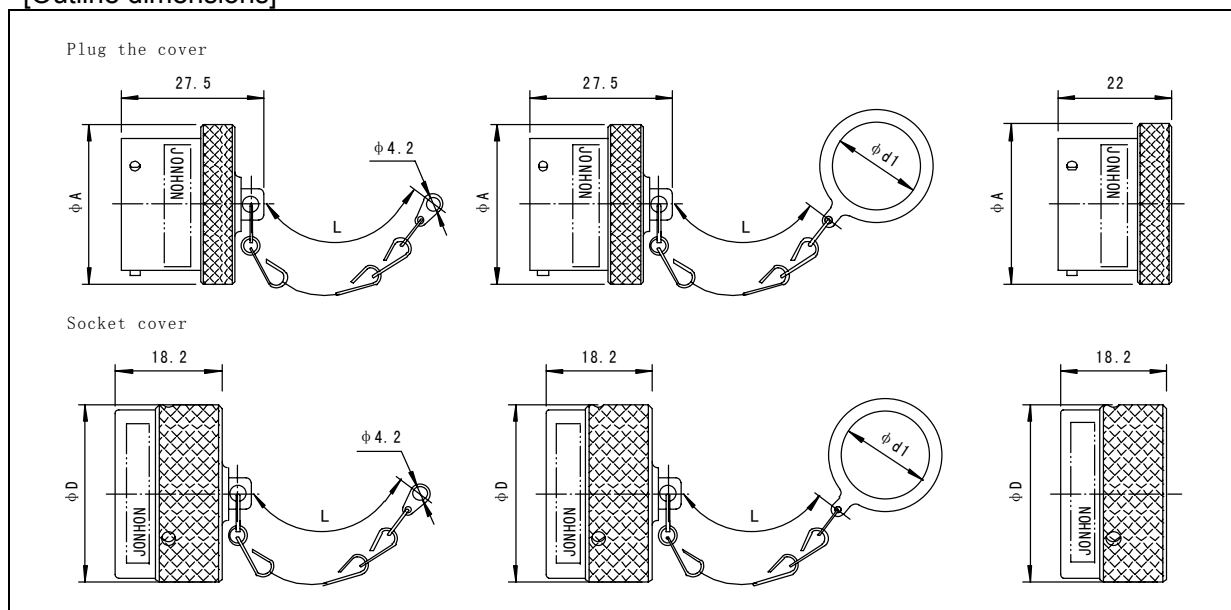
1、 Plug and receptacle sealing caps

ZE370 Series plugs and receptacle are capable of withstanding water depth of 1m after assembled with sealing caps.

[Designation]

Series	ZE370	14	FJ	1	P13	A
Shell size	12-14-18-22-24-27-30-33-36					
Accessories marking	FJ					
Accessory type	1-receptacle sealing cap		2-plug sealing cap			
Shell plating	Shielding plating: P13-nickel plating on aluminum alloy P40-stainless steel, passive Non-shielding plating: E22-hard anodized plating on aluminum alloy					
Chain type	A-without chain N-stainless steel twisted chain with securing ring R-stainless steel twisted chain with securing blade					

[Outline dimensions]



Shell size		12	14	18	22	24	27	30	33	36
A	MAX	19.7	21.7	25.7	29.7	31.7	34.7	37.7	40.7	43.7
D	MAX	19	21	27.2	32	34	37	40	43	46
d1	MIN	12.1	14.1	18.1	22.1	24.1	27.1	30.1	33.1	36.1
d	MIN	16.1	18.1	22.1	27.1	27.1	30.1	33.1	36.1	39.1
L	MAX	200								

2、 Cable accessories

Used to secure wires and sealing cables.

Straight and right angle types both with built-in pressing plate tightening cables or wires; Pressing plate also

can clamp shielding braid to realize shielding function.

Connectors are capable of withstanding water depth of 1m after assembled with sealing accessories.

[Designation]

Series	ZE370	14	FJ	3	P13	D1
Shell size	12-14-18-22-24-27-30-33-36					
Accessories marking	FJ					
Accessory type	3- Straight sealing cable accessory, built-in pressing plate tightening the cable 4- Straight non-sealing cable accessory, built-in pressing plate tightening the cable 5- Right angle sealing cable accessory, built-in pressing plate tightening the cable 6- Right angle non-sealing cable accessory, built-in pressing plate tightening the cable					

Shell plating

Shielding plating: P13-nickel plating on aluminum alloy
P40-stainless steel, passive

Non-shielding plating: E22-hard anodized plating on aluminum alloy

Cable entry code

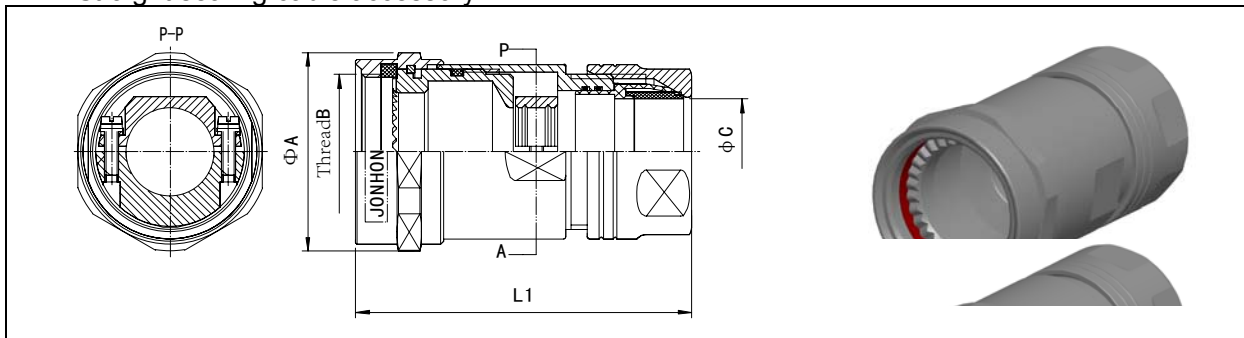
Sealing accessory: D1, D2...

Non-sealing accessory: blank

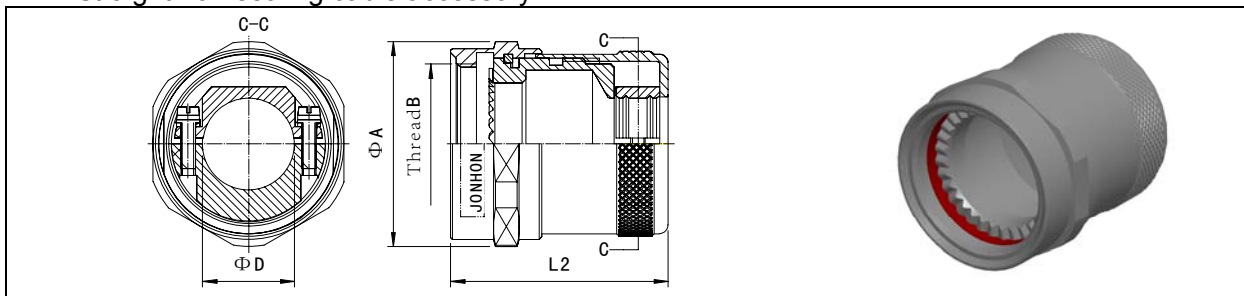
Note: right angle cable accessories are not applicable for insert arrangements of 22-1, 27-1, 36-2, 36-3, 36-4 and 36-6. Any request, please contact our marketing office.

[Outline dimensions]

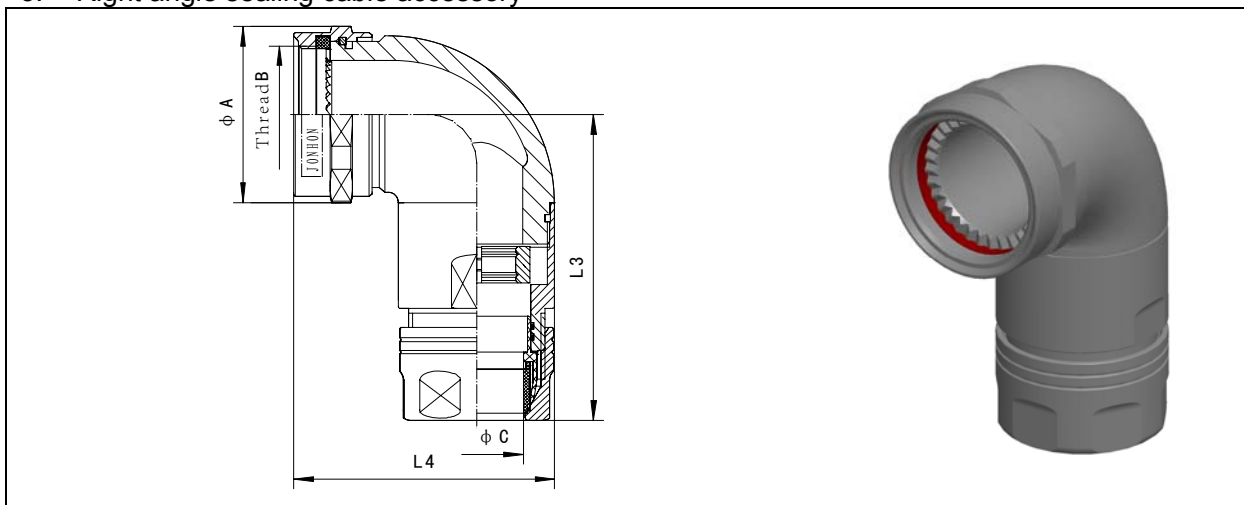
1. Straight sealing cable accessory



2. Straight non-sealing cable accessory



3. Right angle sealing cable accessory



4. Right angle non-sealing cable accessory

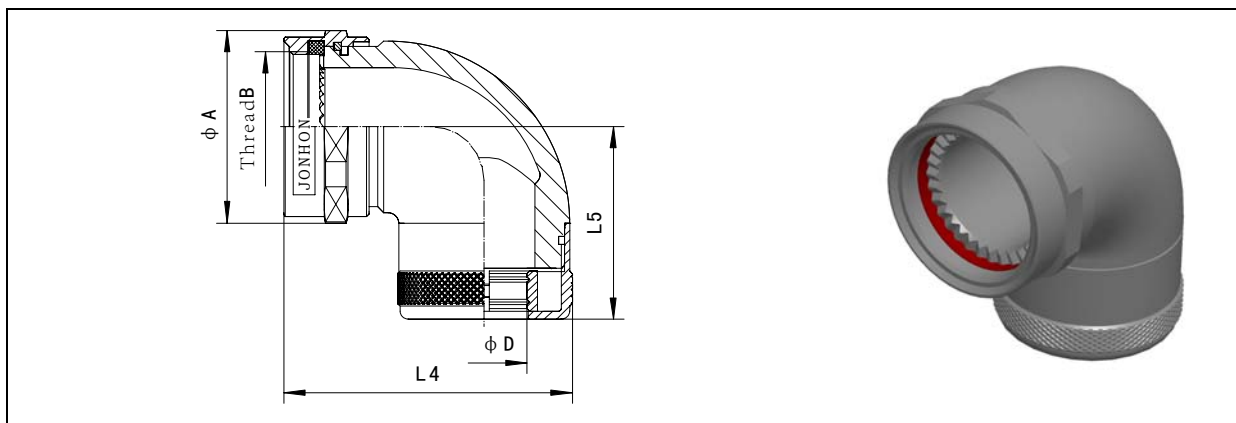


Table 1

Shell size	A	Thread B	L1 MAX	L2 MAX	L3 MAX	L4 MAX	L5 MAX	Sealing accessories	Non-sealing accessories
								Cable entry dia. C code	Cable entry dia. D (MAX)
12	19	M12×1	47.4	28	53.7	39.2	27.6	D1、D2	4
14	22.2	M14×1	49.4	29.5	56.2	40.7	30.1	D1、D2	7
18	25.4	M18×1	51.9	31	57.7	44.2	31.6	D1、D2、D3	10
22	29.6	M22×1	57	32.5	60.7	48	34	D1、D2、D3	12
24	32.8	M24×1	59	35	63.7	51.7	37.5	D1、D2、D3	14
27	36	M27×1	64	38.1	65.2	54.5	39	D1、D2、D3	16
30	39.2	M30×1	67.2	41	66.7	56.7	40.5	D1、D2、D3	19
33	42.4	M33×1	70.3	44.1	68.7	59.2	42.5	D1、D2、D3	22
36	45.6	M36×1	72.4	46.2	70.2	64.7	44	D1、D2、D3	25

Table 2

Shell size	Cable entry code	Cable entry dimension range (C)
12	D1	3.5~5.5
	D2	2~4.5
14	D1	5~7.5
	D2	3.5~5.5
18	D1	7.5~10.5
	D2	5~7.5
	D3	3.5~5.5
22	D1	8.5~12
	D2	2.5~10.5
	D3	5~7.5
24	D1	10.5~15
	D2	8.5~12
	D3	2.5~10.5
27	D1	13.5~18
	D2	10.5~15
	D3	8.5~12

30	D1	16.5~21
	D2	13.5~18
	D3	10.5~15
33	D1	18.5~23.5
	D2	16.5~21
	D3	13.5~18
36	D1	21.5~26.5
	D2	18.5~23.5
	D3	16.5~21