

YFO Series

YFO is mainly used on the single mode transmission line and is a optical passive device combining the optical signal with two wavelength into a fiber.

Description

- High wavelength isolation, low PDL
- Stable environmental performance and good directivity
- Many configurations provided
- Wide wavelength range and good directivity
- Cable O.D.: $\varnothing 0.25$, $\varnothing 0.9$, $\varnothing 3$
- Applicable standard : YD/T1117

Applications:

- Optical fiber communication networks
- Test equipment, EDFA
- Optical CATV, FTTH
- YFO networks, optical fiber sensors

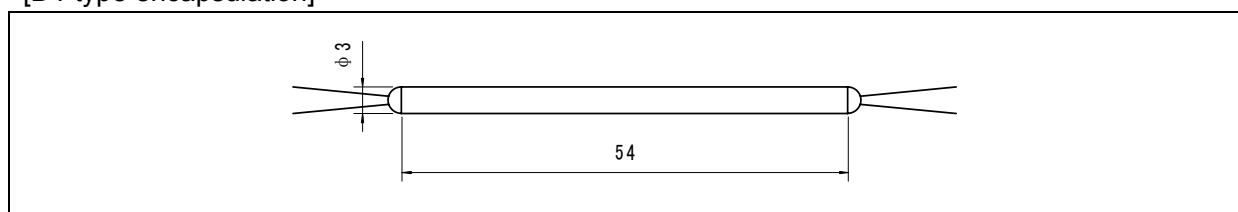
Performance

Item	YFO Type A	YFO Type B
Operating wavelength (nm)	1310/1550	1480/1550
Operating bandwidth (nm)	± 15	± 5
Wavelength isolation (dB)	≥ 18	≥ 15
Directivity (dB)	≥ 55	
Operating temperature ($^{\circ}\text{C}$)	$-40 \sim +85$	
Max. optical power (mW)	300	

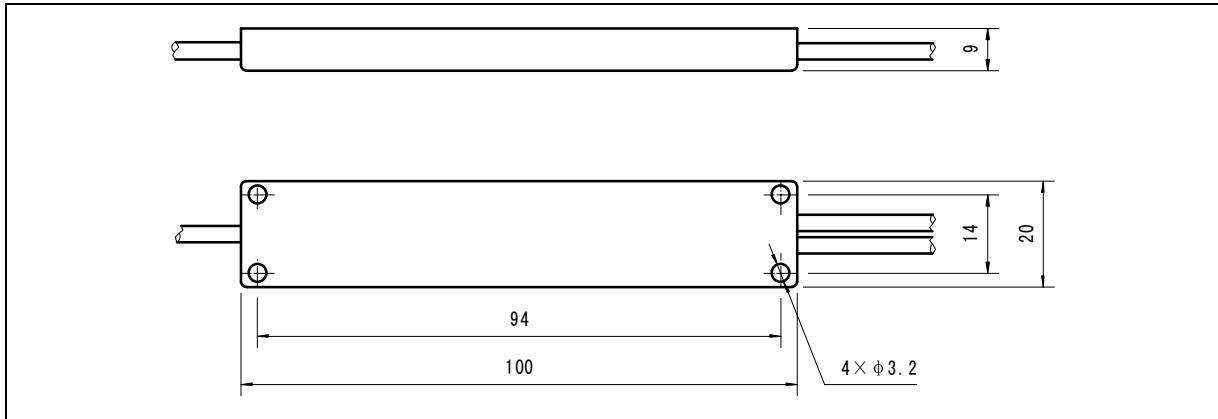
Outline dimension

YFO has three encapsulation structures: type A (A designates ABS plastic and A1 designates aluminum alloy), type B (B designates ABS plastic and B1 designates aluminum alloy), type D1 (tube encapsulation) and type F (adapting box encapsulation)

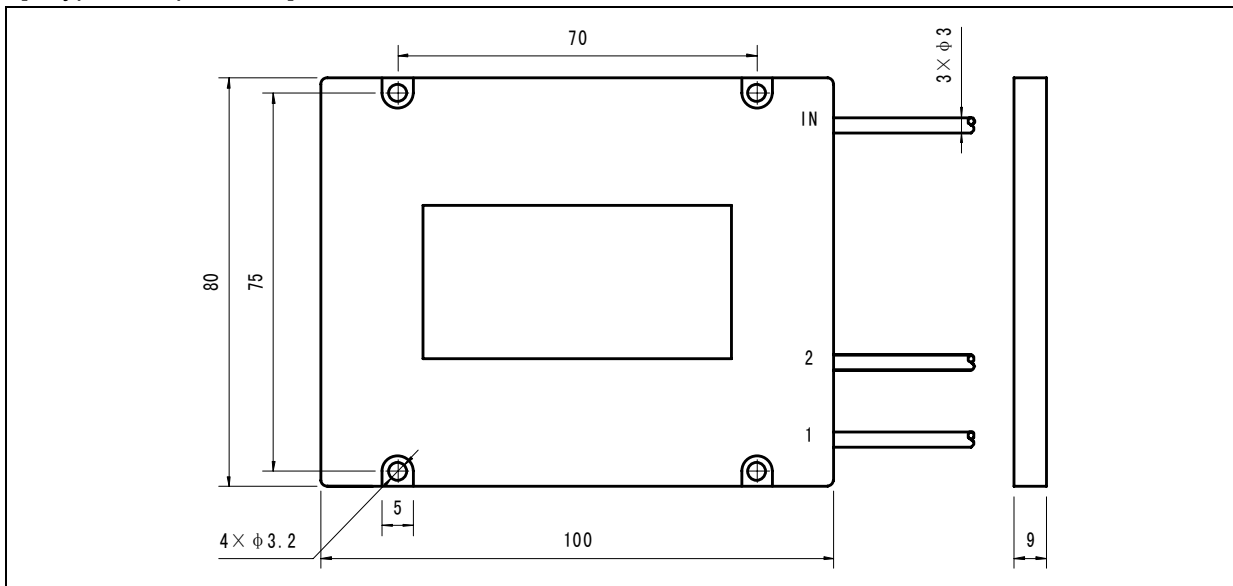
[D1 type encapsulation]



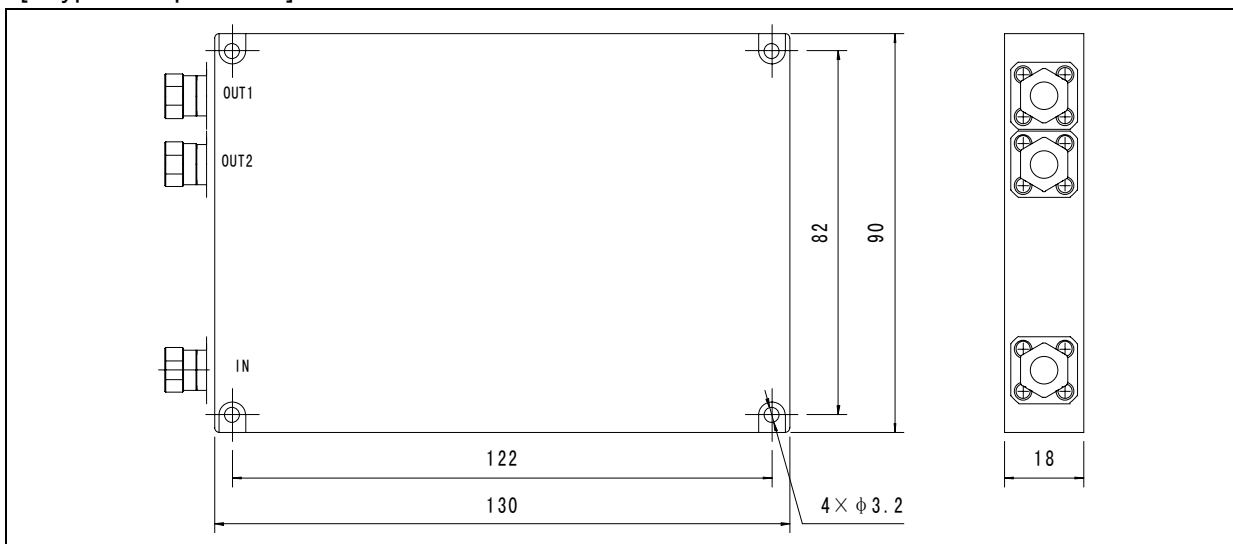
[A type encapsulation]

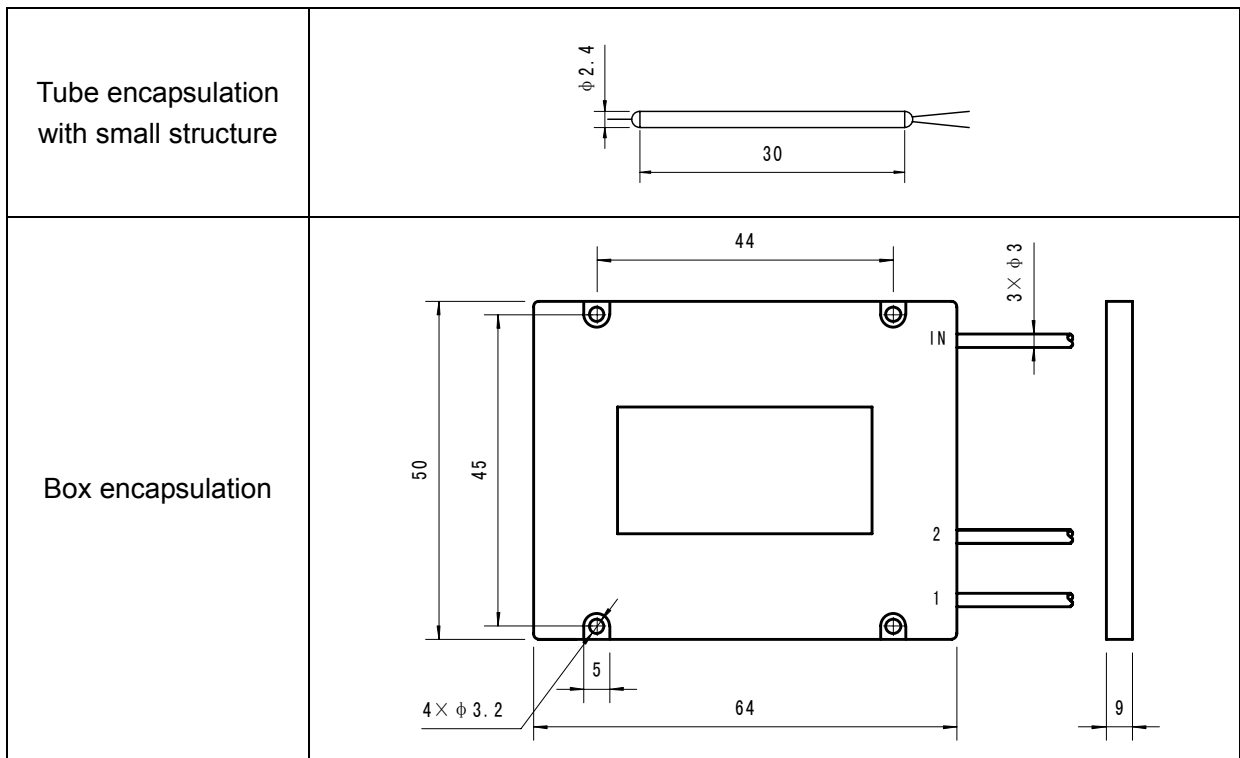


[B type encapsulation]



[F type encapsulation]





Ordering information

Basic series	YFO	13	15	-Φ0.9	2	/2	-FC	*2FC	A
Multiplexer wavelength 1	See table 1								
Multiplexer wavelength 2	See table 1								
Outer dia. of pigtail	0.9 – fiber with Φ0.9 diameter; 2 – Φ2 diameter; 3 – Φ3 diameter (unit: mm) If the input and output are adapting type, it is blank.								
The length of pigtail on input end	The length of pigtail on input end (unit: mm). If the input is adapting type, it is blank.								
The length of pigtail on output end	The length of pigtail on output end (unit: mm). If the output is adapting type, it is blank.								
Optical fiber plug on input end	Quantity: Blank-1 Type: FC and SC, etc or in accordance with customer's requirement								
Optical fiber plug on output end	Quantity: Blank-1 Type: FC and SC, etc or in accordance with customer's requirement								
Encapsulation	See table 2 for encapsulation type and dimension								

Table 1 Operating wavelength (nm)

YFO	1315=1310/1550 9815=980/1550 1415=1480/1550
-----	---

Table 2 Encapsulation type and dimension

Type	Dimension
Tube encapsulation	D1= d*I =Φ3*54 (Pigtail is Φ0.25 bare fiber and Φ0.9 optical fiber)
Box encapsulation	A=100*20*9 (ABS)
	A1=100*20*9 (Aluminum alloy)
	B=100*80*9 (ABS)
	B1=100*80*9 (Aluminum alloy)
Adapting box encapsulation	F=130*90*18 (ABS)
	F1=130*90*18 (Aluminum alloy)

[Part number example]

YFO1315-Φ0.9*2/1-FC*2SC-A

Designation: 1310/1550 YFO, input and output pigtail diameter is 0.9mm, input is FC plug, the input length is 2m, the output is two SC plugs and the output length is 1m. A type box encapsulation