

VAF Series Circular Electrical Connectors

Brief introduction

- Compliant with France railway vehicle standard NFF61030
- Plug and receptacle are mated by thread coupling
- Termination: crimp
- 3 kinds of shell sizes (E, C, B)
- Completely interchangeable with the same product from foreign manufacturers
- Protection degree: IP67
- Applicable for connections between railway vehicle circuits
- Standard: Q/21EJ730

Main technical characteristics

[Mechanical performances]

- shell: aluminum alloy sand spray anodization or cadmium plating
- vibration: 10~2000Hz, acceleration 147m/s²
- shock: 490 m/s²
- Endurance: 500 cycles

[Electrical performances]

- contact:

[Environmental characteristics]

- Operation temperature: -40°C ~ +100°C
- salt spray: 96h (sand spray anodization); 500h (cadmium plating)
- heat damp: 21 days, +40°C, 90% RH
- Protection degree: IP67

Contact size (mm)	Rated current (A)	Contact resistance (mΩ)	Crimp resistance (mΩ)	applicable wire section (mm ²)	AWG
Φ2	15	≤1.5	≤0.18	0.6~2.61	20~16
Φ12	180	≤0.15	≤0.017	35~95	0

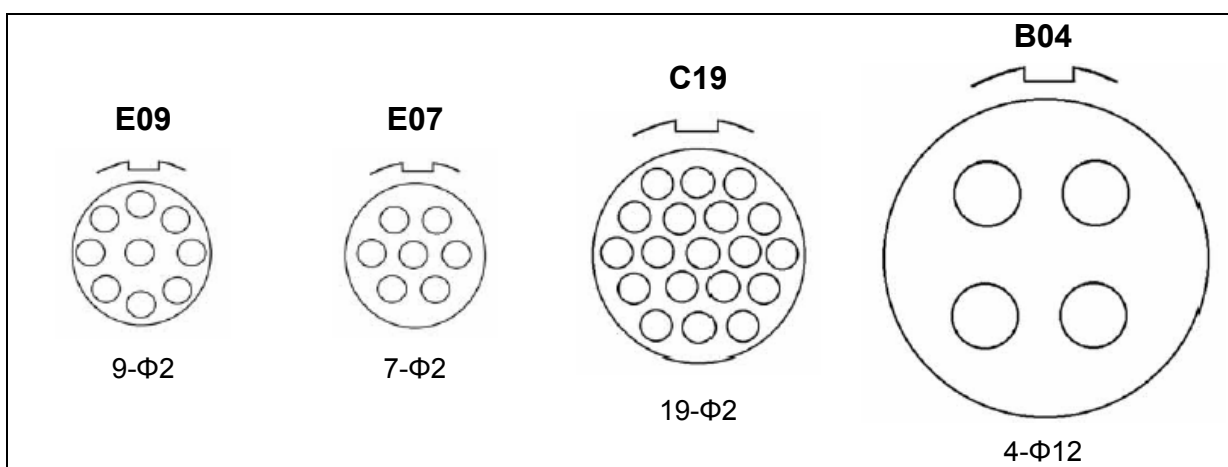
- working voltage: 380 Vrms
- withstanding voltage: 3250 Vrms
- Insulation resistance: normal≥5000MΩ; heat damp≥500MΩ

Ordering information

Series	VAF	2	F	0	B	04	5	L	T	66	B
Code selection	2— with code; 4— without code										
Connector type	F— plug; E— receptacle										
Additional notes	Plug: 0— without anti-loosening devices; 1— with anti-loosening devices Receptacle: 0— unsealed; 1— sealed										

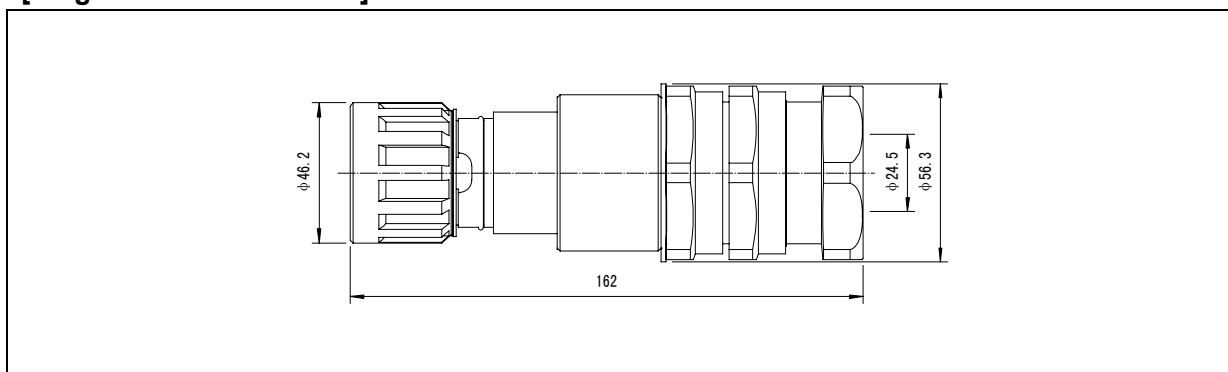
Shell size	E, C, B
Layout	See "Layout table"
Contact type	1—crimped pin; 5—crimped socket
Contact ordering type	L—ordered separately; others see "contacts"
Back shells	I, O, P, U, X, Y, V, W, B (see specific part number)
Cable outlet diameter	0~16 (see specific part number)
Technical requirements	A—thermoplastic insulator; B—thermoplastic insulator with shell withstanding salt spray of 500h

Layout

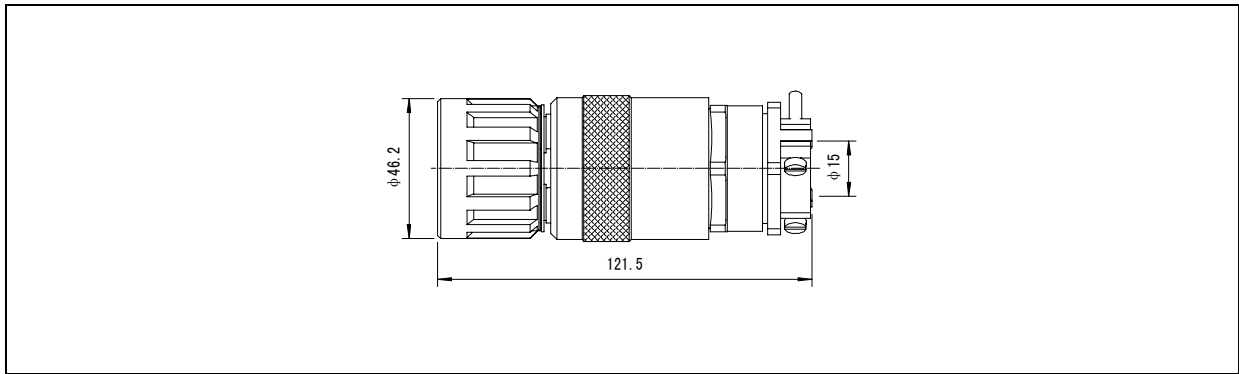


Outline dimensions

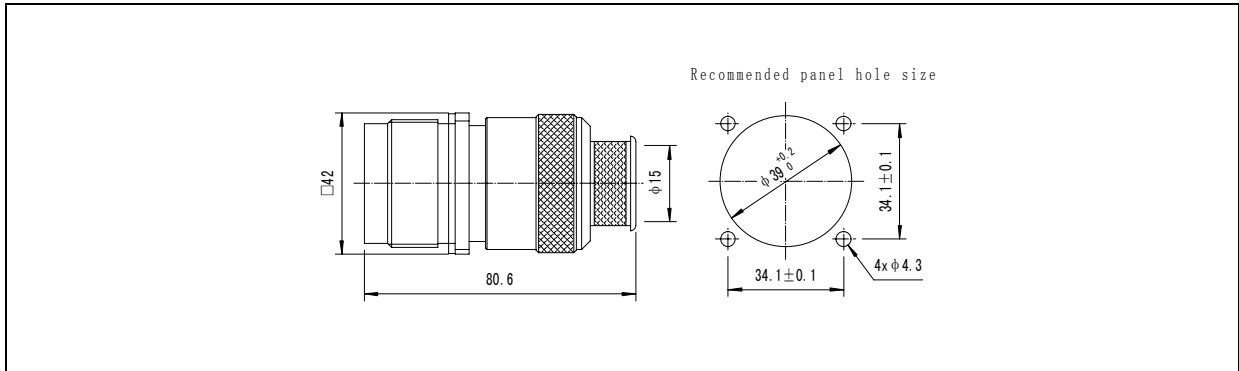
[Plug VAF0F1E095BU64B]



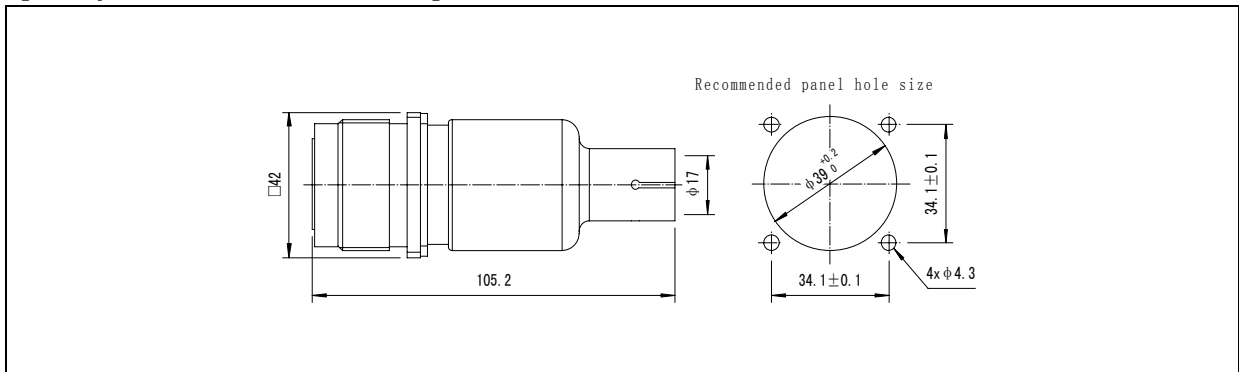
[Plug VAF0F1E095BU3B]



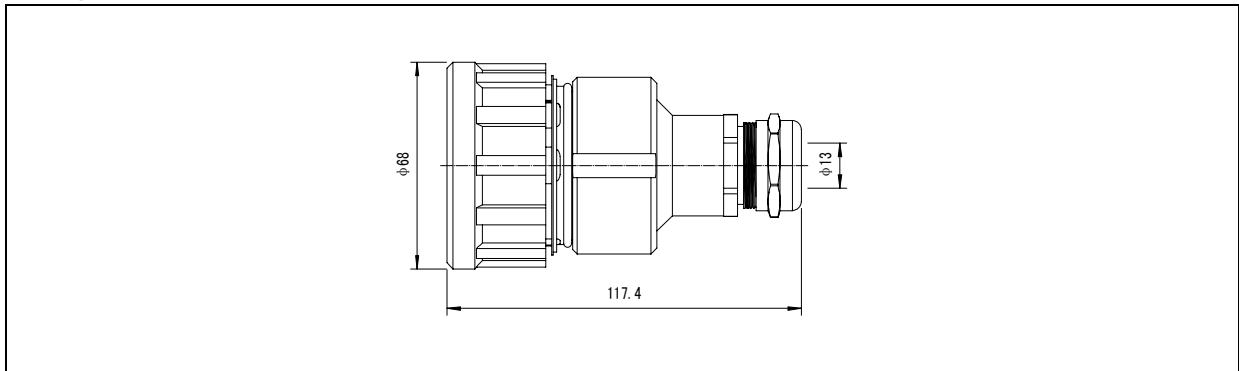
[Receptacle VAF0E1E091LZ0B]



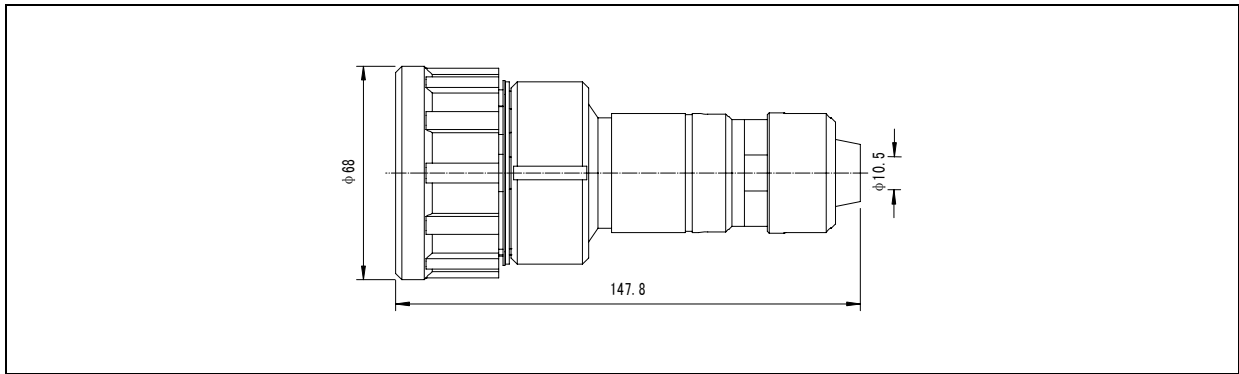
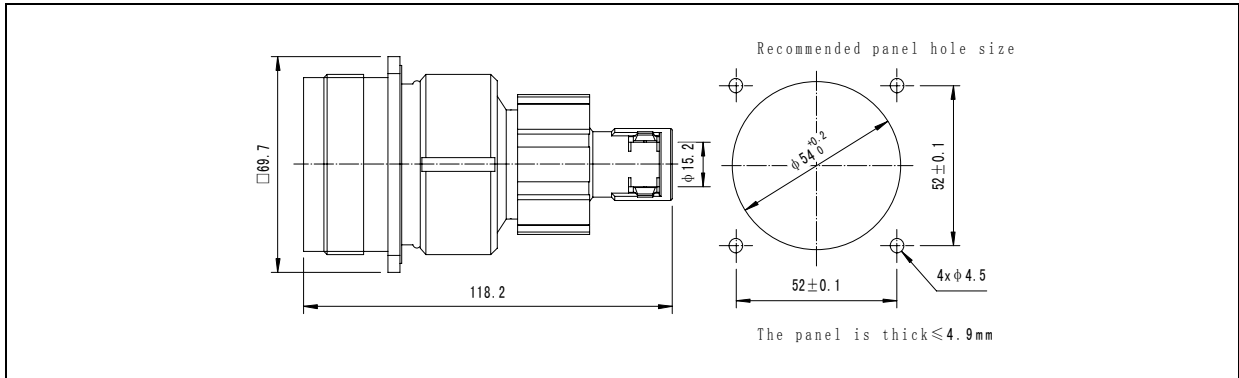
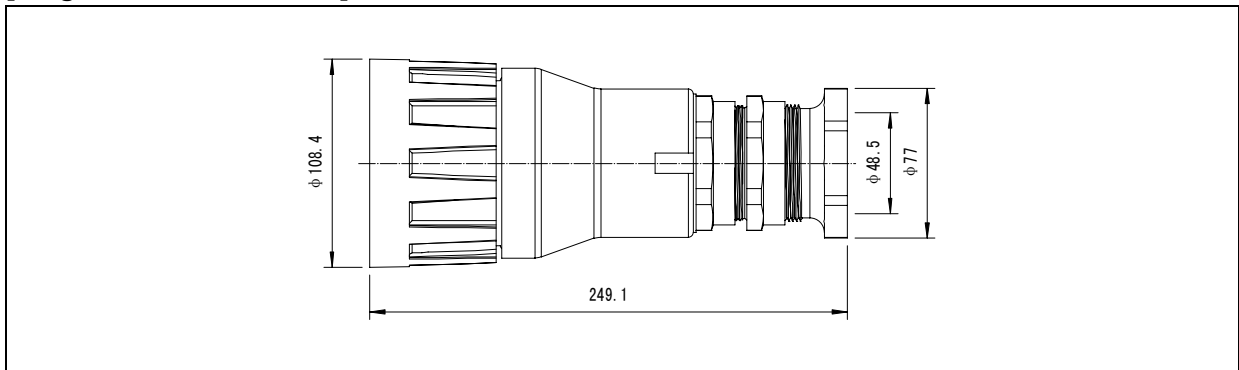
[Receptacle VAF0E1E071BN0A]



[Plug VAF0F1C195BU22B]



[Plug VAF0F1C195LW1A]


[Receptacle VAF0E1C191BG2B]

[Plug VAF0F0B045LT66B]

Contacts

Size	Classification code	Pin/socket	Ordering P/N	Plating	Wire section (mm ²)	
					Min	Max
Φ2	B	Pin	21E6.570.1484Ag	Silver plating	0.6	2.61
		Socket	21E6.571.2606Ag			
Φ2	B1	Pin	21E6.570.1484Au	Gold plating	0.6	2.61
		Socket	21E6.571.2606Au			
Φ12	J	Socket	21E6.571.2605Ag	Silver plating	35	95

Note: extraction tool P/N for Φ2 contact is "QX-TYD-Φ2" (ordered separately)