

## UV Series Optical Fiber Connector and Adapter

### Description

- Standard metal parts, good interchangeability
- Bayonet mechanism, quick connection and removal
- Ceramic ferrule, PC and UPC polishing
- Available to OFNR cable or LSZH cable
- Cable O.D.:  $\varphi 0.9$ ,  $\varphi 2$ ,  $\varphi 3$
- One-piece body design, precision sleeve, low insertion loss
- Applicable standard : YD/T987, IEC61754-2

### Applications

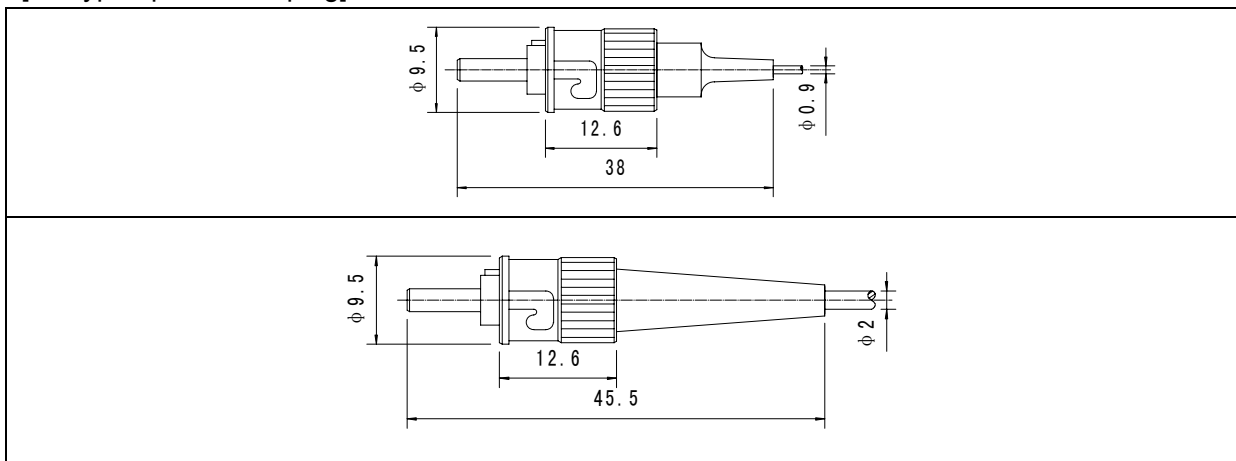
- Optical fiber communication network
- Optical LAN
- Instruments and meters

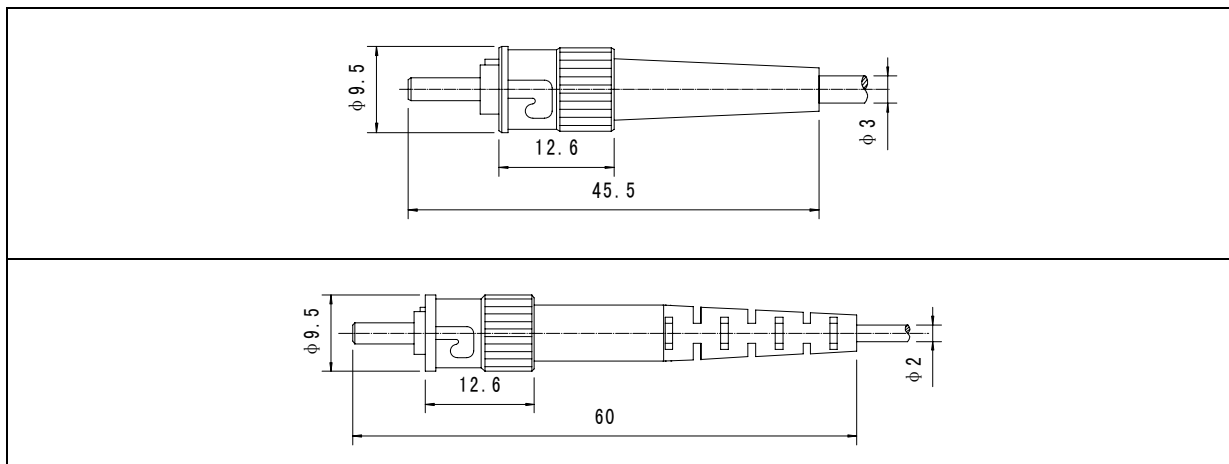
### Performance

Parameter	Plug			Adapter
	SM		MM	
	PC	UPC	PC	
Return Loss (dB)	$\geq 45$	$\geq 50$	$\geq 35$	/
Insertion Loss (dB)	$\leq 0.2$ (Typical value), $\leq 0.3$ (Maximum value)			$\leq 0.1$ (Typical value)
Repeatability (dB)	$\leq 0.1$			/
Durability (cycles)	$\geq 1,000$			$\geq 1,000$
Operating Temp. (°C)	-40~+85			-40~+85
Tensile Strength (N)	$\geq 90(\varphi 3)$ , $\geq 70(\varphi 2)$ . Not applicable to $\varphi 0.9$			/

### Outline dimensions

[UV type optical fiber plug]





[UV type adapter]

<p>UV-A(UV adapter)</p>	
<p>UVA-C(square flange UV adapter)</p>	
<p>UVB-C (Diamond UV adapter)</p>	

## UV01 Type Optical Fiber Connector

### Description

- $\phi 1$  plastic fiber
- Cable O.D.:  $\phi 2.2$
- Standard metal parts, good interchangeability
- Bayonet mechanism, quick connection and removal
- Ceramic ferrule, PC polishing
- Interface dimension is in accordance with YD/T987

### Applications

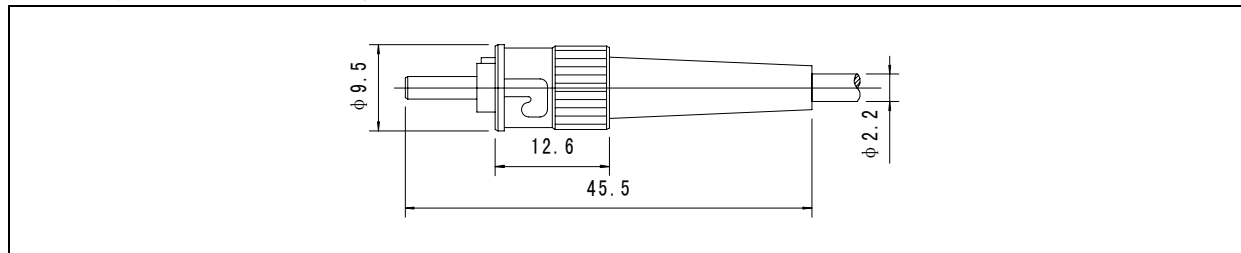
- Optical fiber communication network
- Optical LAN
- Instruments and meters

### Performance

Parameter	Performance
Insertion Loss (dB)	$\leq 0.3$

### Outline dimensions

[UV01 type optical fiber plug]



## UV02 Series Optical Fiber Connector and Adapter

### Description

- Cable O.D.:  $\phi 3$  single fiber armored cable (200/230)
- Armored cable, enduring, rodent resistant
- Standard plug, convenient connection
- Good flexing
- Ceramic ferrule, PC polishing

### Applications

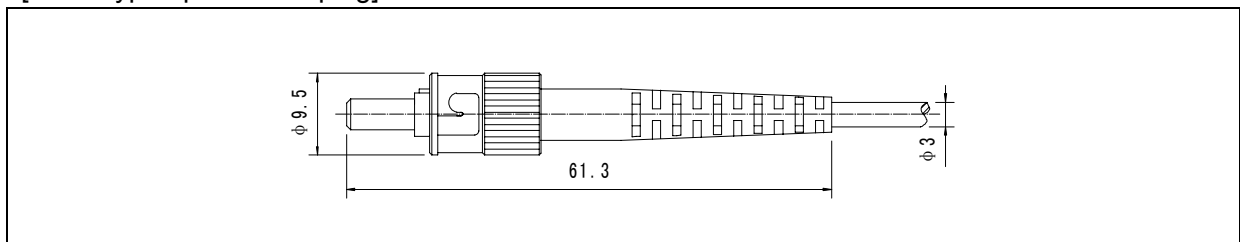
- Optical fiber communication network
- Television broadcast vehicle
- Rodent resistant optical communication
- Mobile optical communication

### Performance

Parameter	Performance
Insertion Loss (dB)	$\leq 0.2$ (Typical value), $\leq 0.3$ (Maximum value)
Repeatability (dB)	$\leq 0.1$
Durability (cycles)	$\geq 1,000$
Operating Temperature ( $^{\circ}\text{C}$ )	$-40 \sim +80$

### Outline dimensions

[UV02 type optical fiber plug]



## UVO Type Optical Fiber Connector

### Description

- Cable O.D.:  $\phi 3$  single fiber armored cable ● Armored cable, endurable, rodent resistant ● UV standard plug, right angle accessory, convenient connection
- Good flexing
- Ceramic ferrule, PC polishing

### Applications

- Optical fiber communication network
- Television broadcast vehicle
- Rodent resistant optical communication
- Mobile optical communication

### Performance

Parameter	Performance
Insertion Loss (dB)	$\leq 0.2$ (Typical value), $\leq 0.3$ (Maximum value)
Repeatability (dB)	$\leq 0.1$
Durability (cycles)	$\geq 1,000$
Operating Temperature ( $^{\circ}\text{C}$ )	$-40 \sim +80$

### Outline dimensions

[UVO type optical fiber plug]

