

U6387 Combination Modular Connectors

Description

- Modular rectangular connectors, different modules combined to meet variant functional requirements;
- Mainly applied in electrical connection between control system and equipments;
- At most 36 kinds of key position configurations to avoid mis-mating.

Main technical characteristics

[Mechanical]

—Vibration: Frequency 0-2000 Hz, 147 m/s²

—Shock: Peak acceleration 147 m/s²

—Durability: 500 cycles

[Environmental]

—operating temperature: - 55 °C ~ + 125 °C

—Salt spray: 96h

[Electrical]

—contact size, rated current, applicable wires:

Contact size	Crimp barrel size	Applicable wire size AWG	Outer diameter of insulation (mm)	Rated current (A)
22	22	22	0.71~1.37	5
		24		3
		26		2
20	20	20	0.85~2.11	7.5
		22		5
		24		3
	18	18		7.5
		20		7.5
		22		5
16	16	24	1.31~2.62	3
		16		13
		18		10
	14	20	7.5	
		16	13	
		18	10	
12	12	20	1.63~2.62	7.5
		18		10
		12		23
12	12	14	1.9~3.7	13
		12		23

—Contact resistance:

Contact size	Contact resistance (mΩ)
22	28.3
20	12
16	8.5
12	5

—Insulation resistance: normal $\geq 5000M\Omega$, damp & heat $\geq 100M\Omega$

—Withstanding voltage:

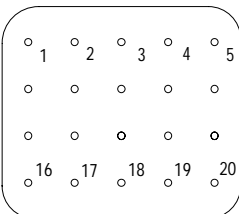
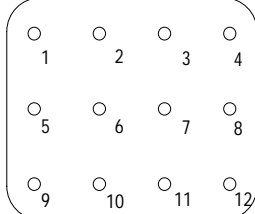
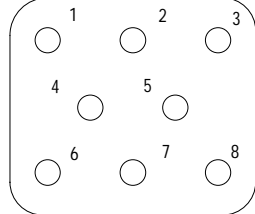
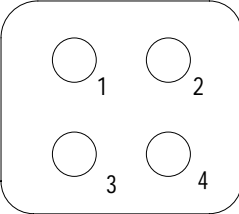
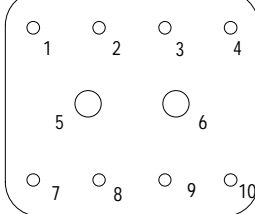
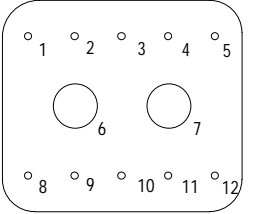
Serial number	Operating condition	Test voltage (50Hz, AC rms) V		Test time (min)
		mated	unmated	
		1500	1500	
2	12.1 kPa (15 000 m)	1000	600	
3	4.7 kPa (21 000 m)	1000	400	
4	1.1 kPa (30 000 m)	1000	200	

Ordering information

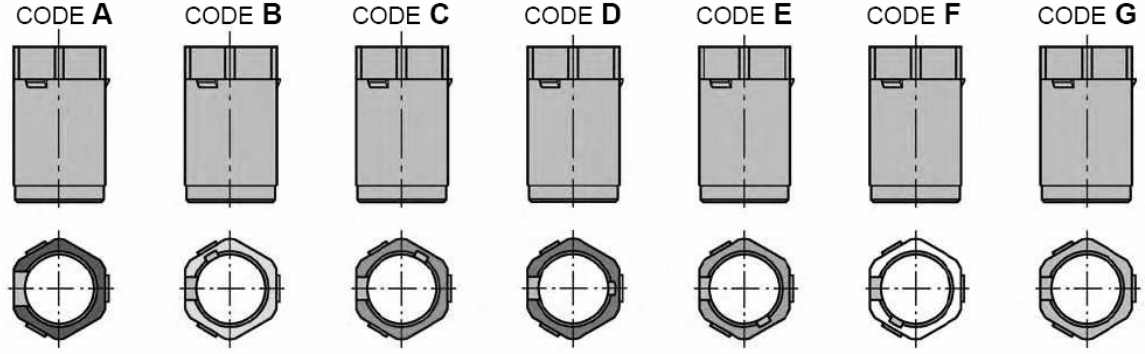
Basic series	U 6 3 8 7	D	8	0	N	G	0	P	8	P	6	P	2	P	-B
Shell material	1														
	D-hard metal														
Number of modules	8-4 cavities; 4-2 cavities														
Shell type	0-thread plug 2-standard receptacle 3-low profile receptacle 4-flange receptacle 5-low profile flange receptacle														
Shell plating	N-Nickel plating (aluminum alloy) W-Olive-drab cadmium plating (aluminum alloy) A-Anodized, black (aluminum alloy)														
Polarization	See the "polarizing key positions"														
Contact arrangement type of A cavity	See the "contact arrangements"														
Contact style	P-pin; S-socket														
Contact arrangement type of B cavity	See the "contact arrangements"														

Contact style	P-pin; S-socket
Contact arrangement type of C cavity	See the "contact arrangements"
Contact style	P-pin; S-socket
Contact arrangement type of D cavity	See the "contact arrangements"
Contact style	P-pin; S-socket
Termination	B-PCB termination; Blank-crimp

Contact arrangements

8	6	2
 <p>20-22D</p>	 <p>12-20#</p>	 <p>8-16#</p>
0	4	5
 <p>4-12#</p>	 <p>8-20# · 2-16#</p>	 <p>10-22D · 2-12#</p>

Polarizing key positions



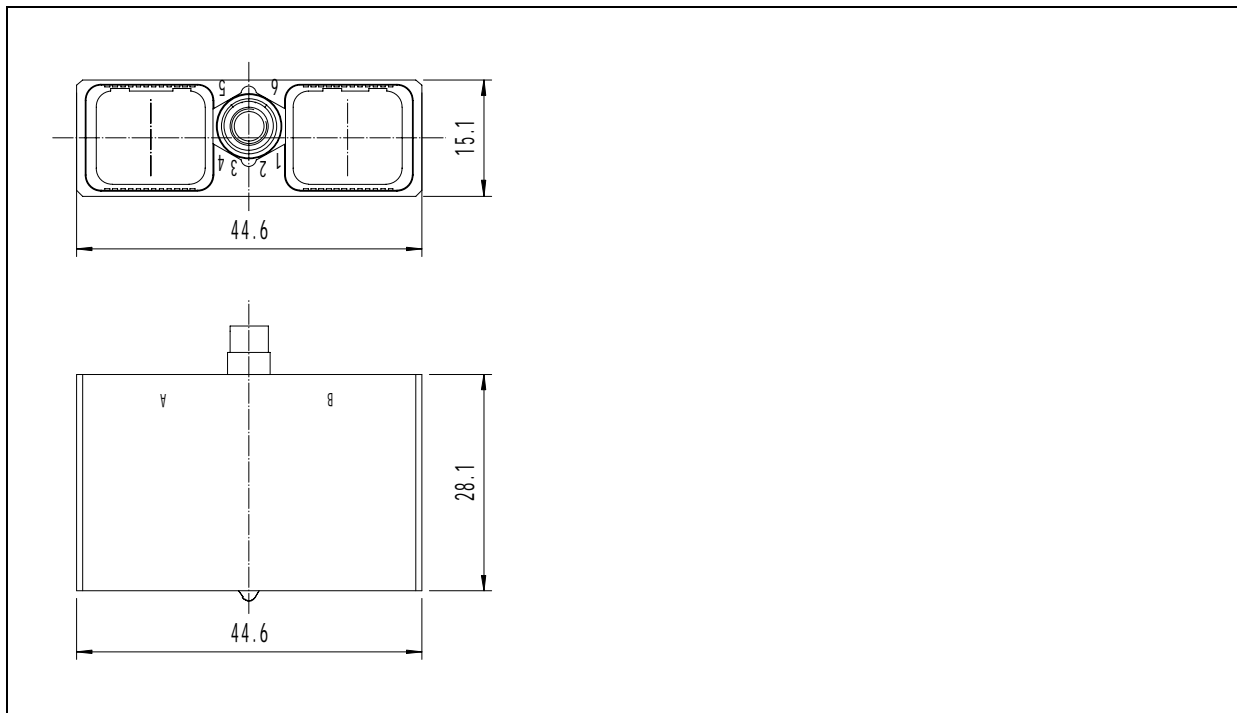
Note: G type is the standard type, with 6 kinds of arrangements, such as G1, G2...; A~F types have two keys, with

36 kinds of arrangements.

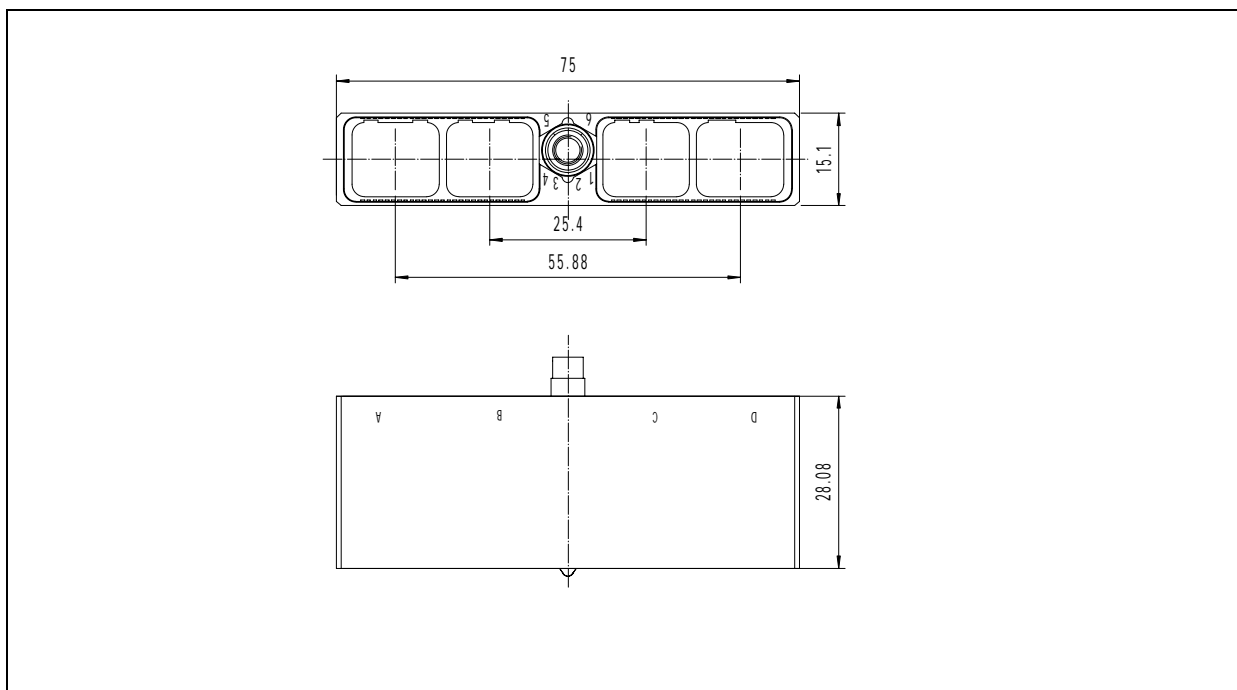
Outline dimensions

Plug

2 cavities: U6387D40

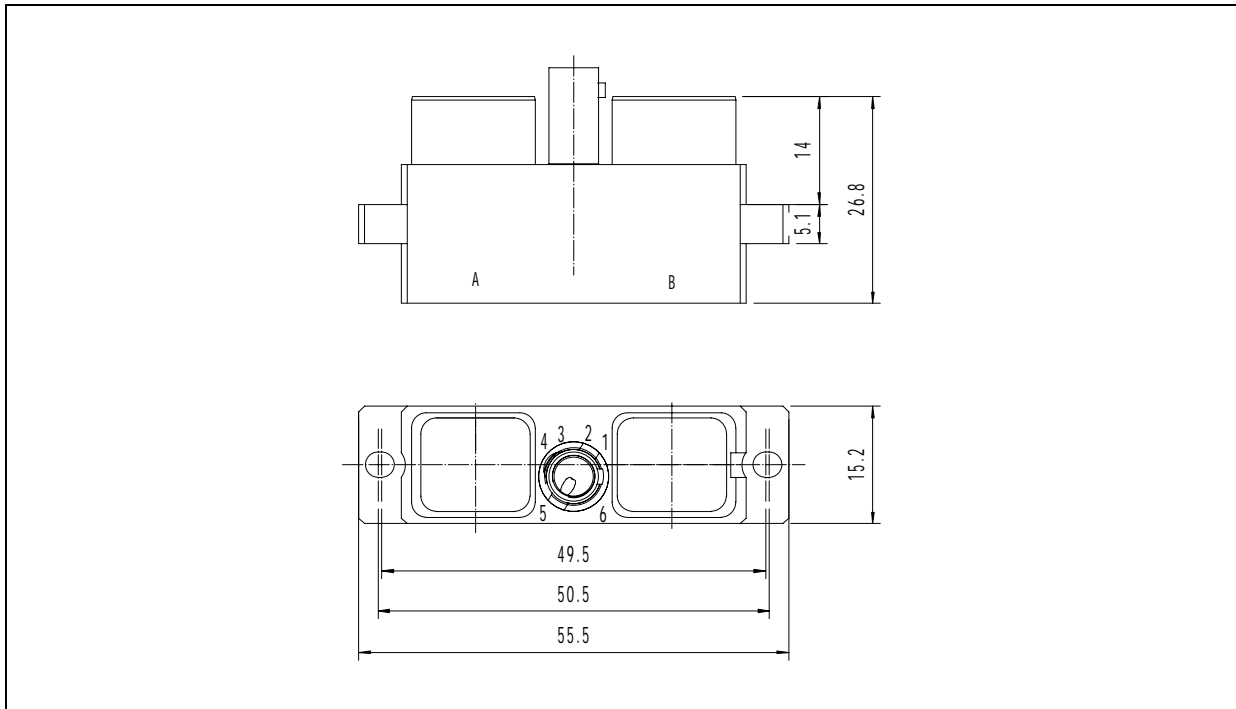


4 cavities: U6387D80

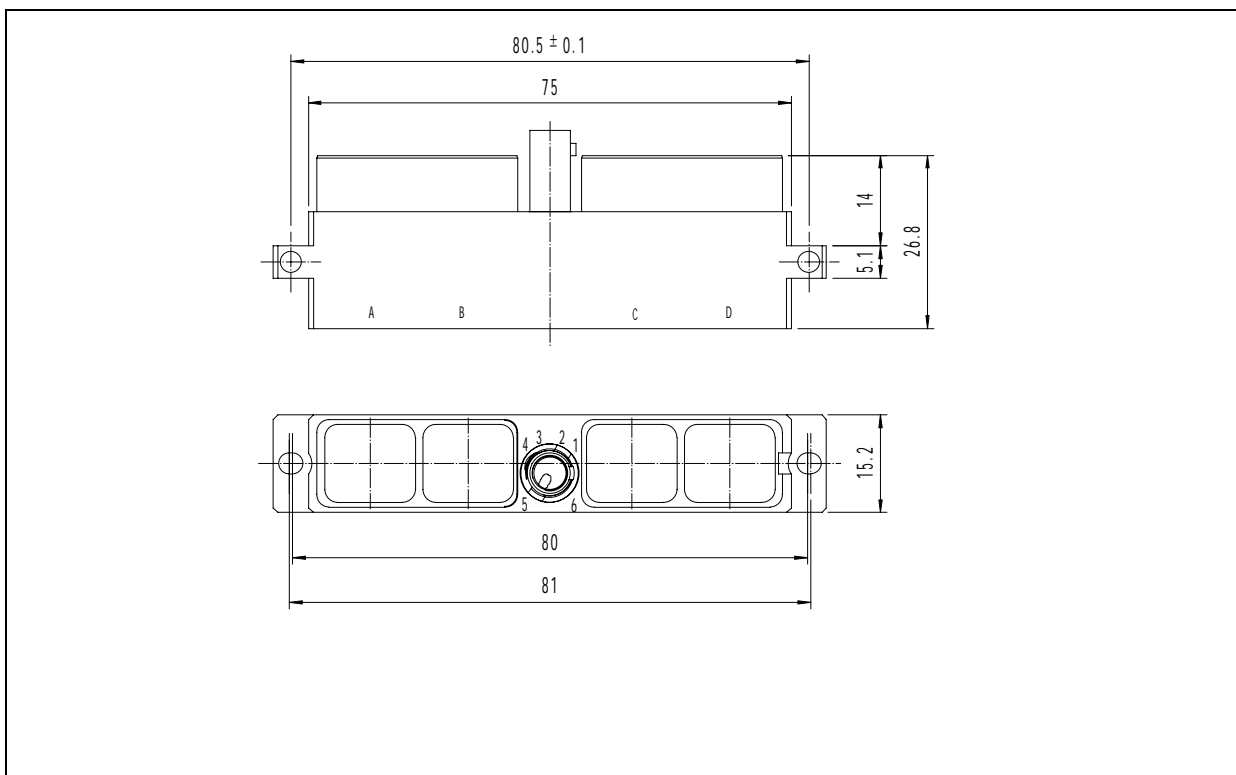


Receptacle

2cavities: U6387D42

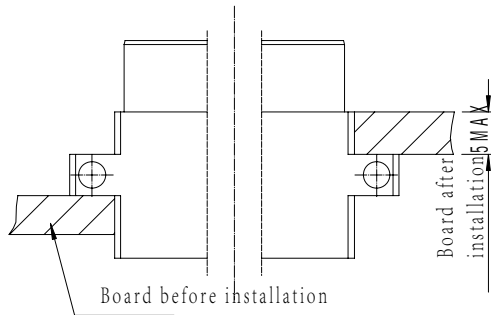


4 cavities: U6387D82

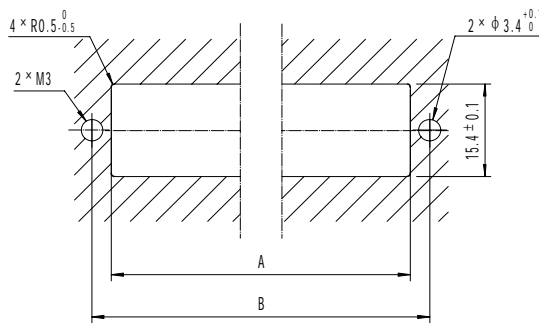


[Panel cutout dimensions for standard receptacle]

Receptacle mounting types



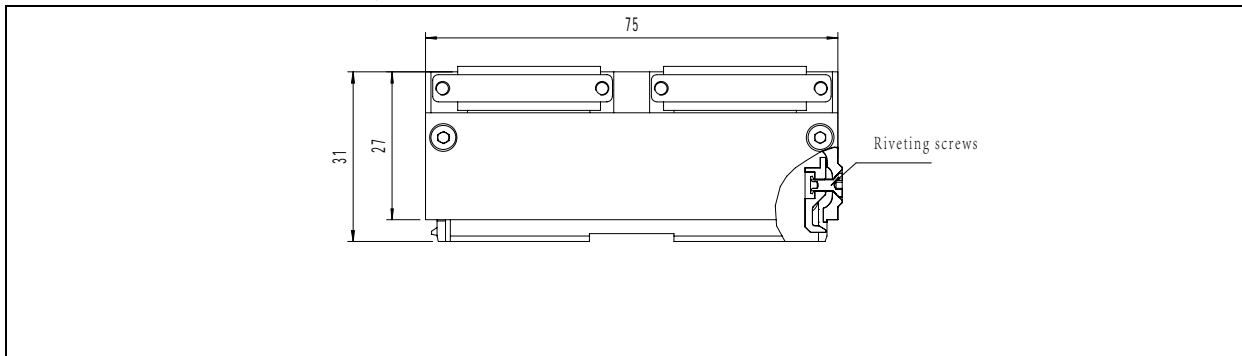
Panel cutout dimensions for receptacle



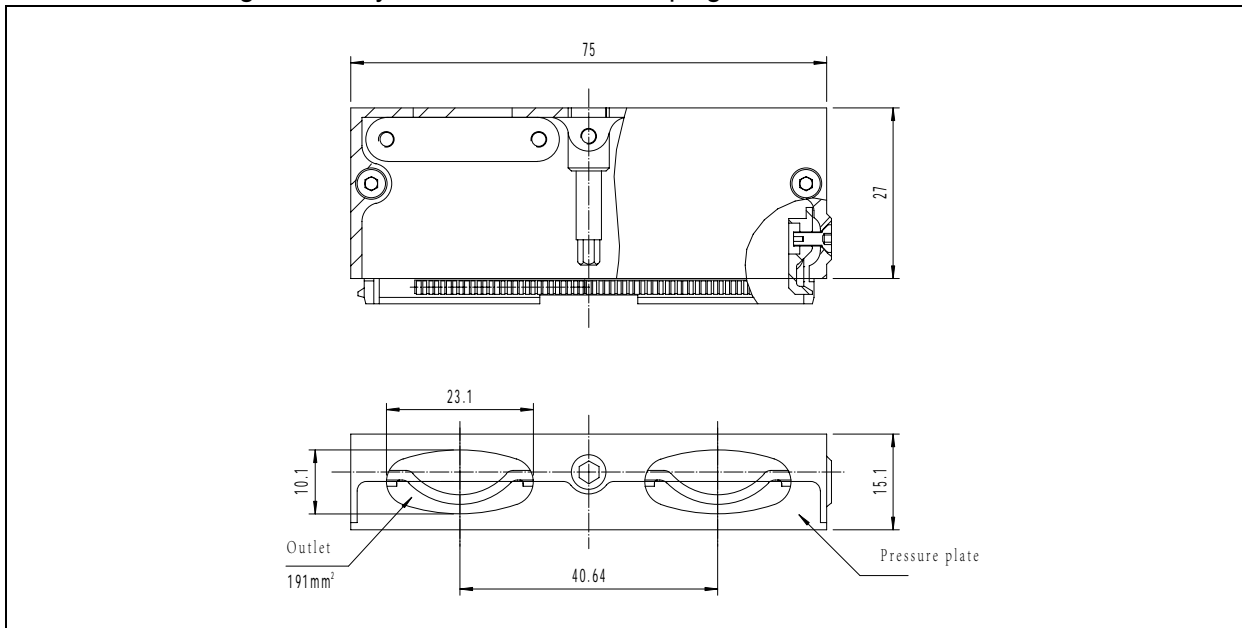
value	A	B
receptacle types		
2 cavities	44.8±0.1	50±0.1
4 cavities	75.3±0.1	80.5±0.1

Cable accessories

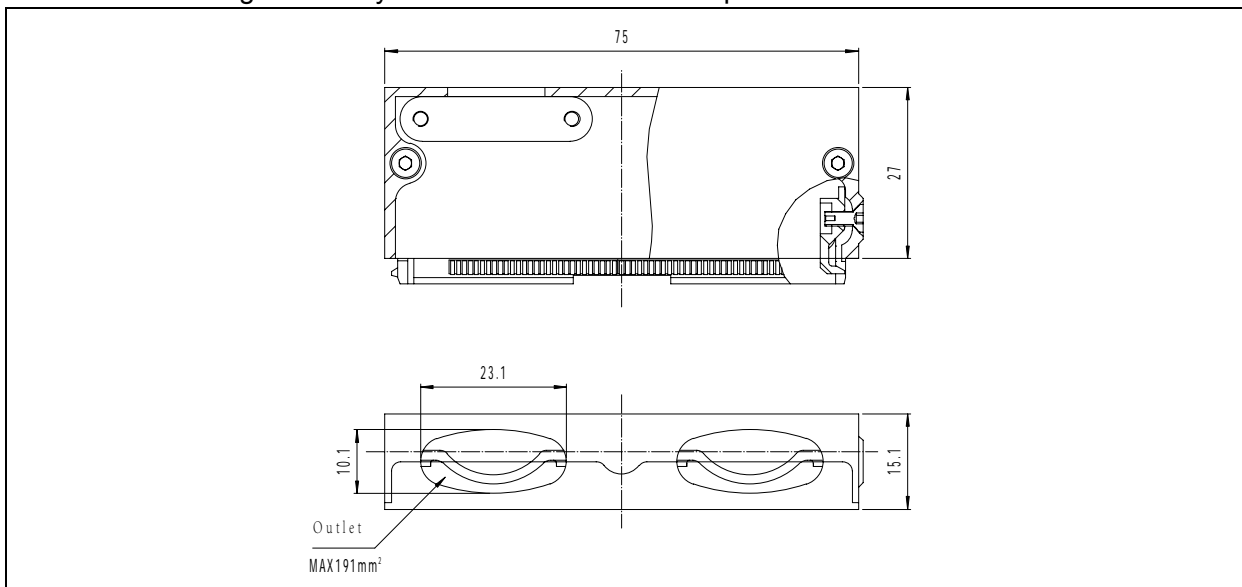
4 cavities standard accessory: U6387AN60C



4 cavities shielding accessory: U6387AD68NM (for plug)



4 cavities shielding accessory: U6387AD64NM (for receptacle)



Applicable wires and crimping tools

Contact size	Diameter (mm)	Applicable wire size AWG	Cross section of the applicable wire (mm ²)	Outer diameter of the applicable wire insulation (mm)	Part number of the insertion/extraction tool	Part number of the crimping tool	Part number of the locator
22D#	0.76	28	0.08	0.71~1.37	M81969/14-01	YJQ-02	XDWQ-06
		26	0.125				
		24	0.2				
		22	0.3				
20#	1.0	24	0.2	0.85~2.11	M81969/14-10	XCXY-01	DWQ-14
		22	0.3				
		20	0.5				
16#	1.6	20	0.5	1.63~2.62	M81969/14-03		
		18	1.0				
		16	1.2				
12#	2.4	14	2.0	1.9~3.7	M81969/14-04		
		12	3.0				

Note: Insertion/extraction tools are delivered along with the connectors, but crimping tools and locators should be ordered separately