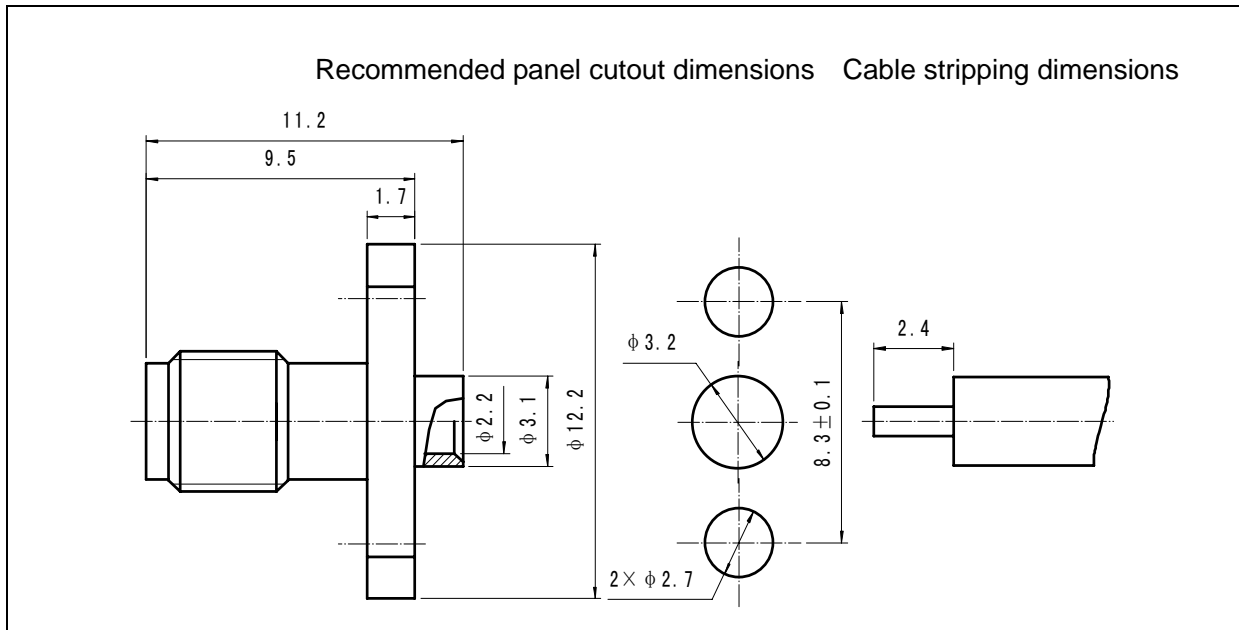


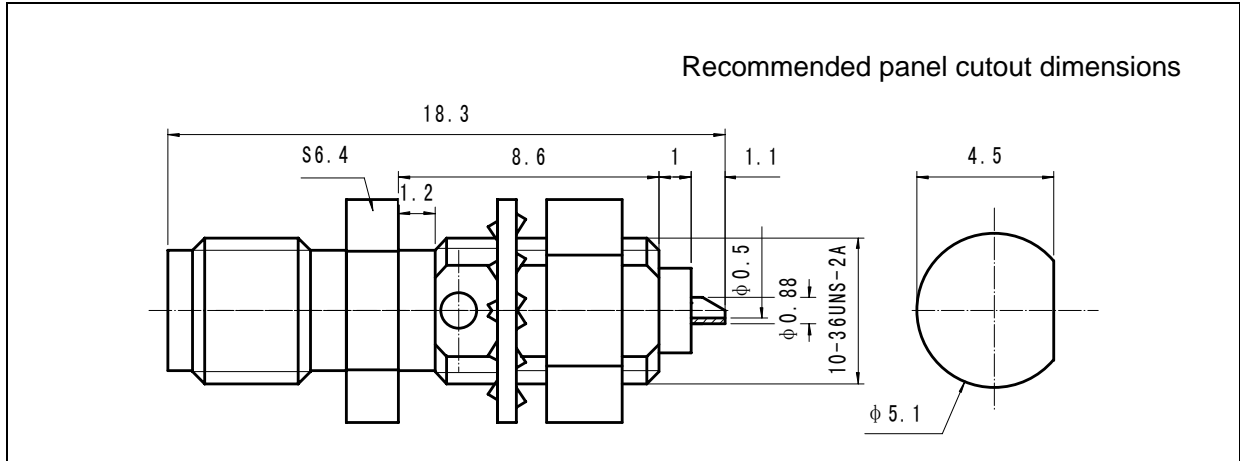
Receptacle terminated with the semi-rigid cable/semi-flexible cable

UUOC-KFB2

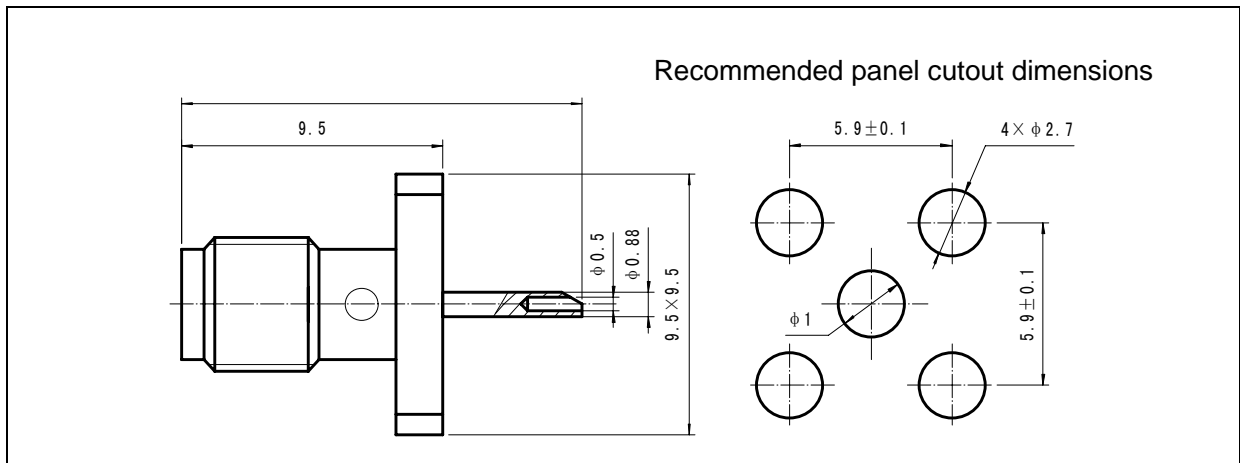
Applicable cable SFT-50-2-1



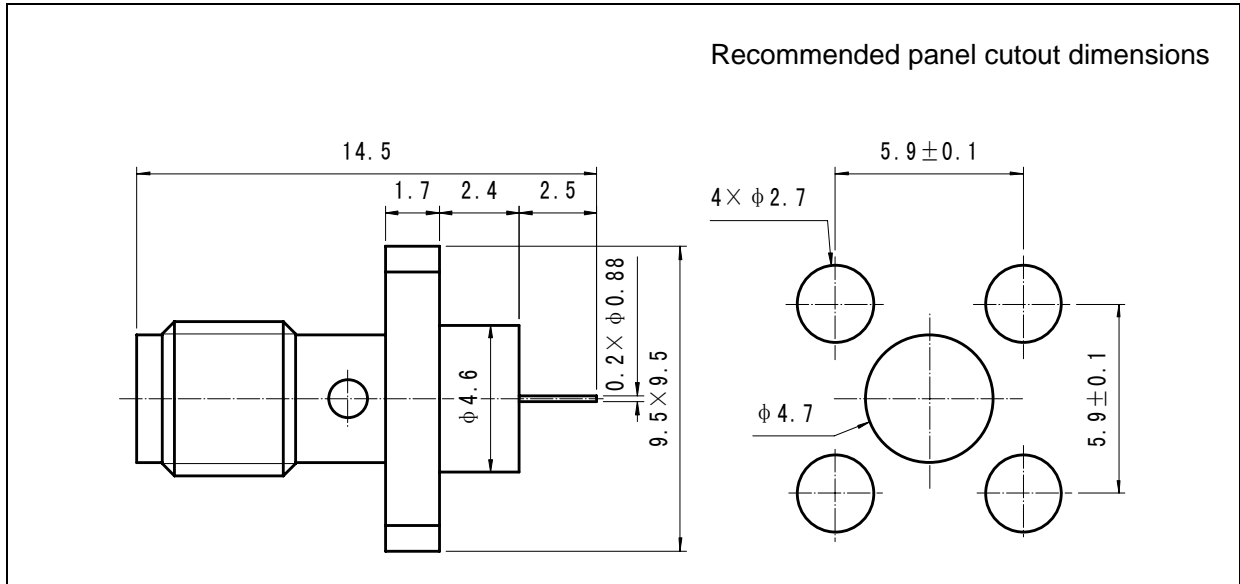
Receptacle terminated with the microstrip **UUOC-KYD**



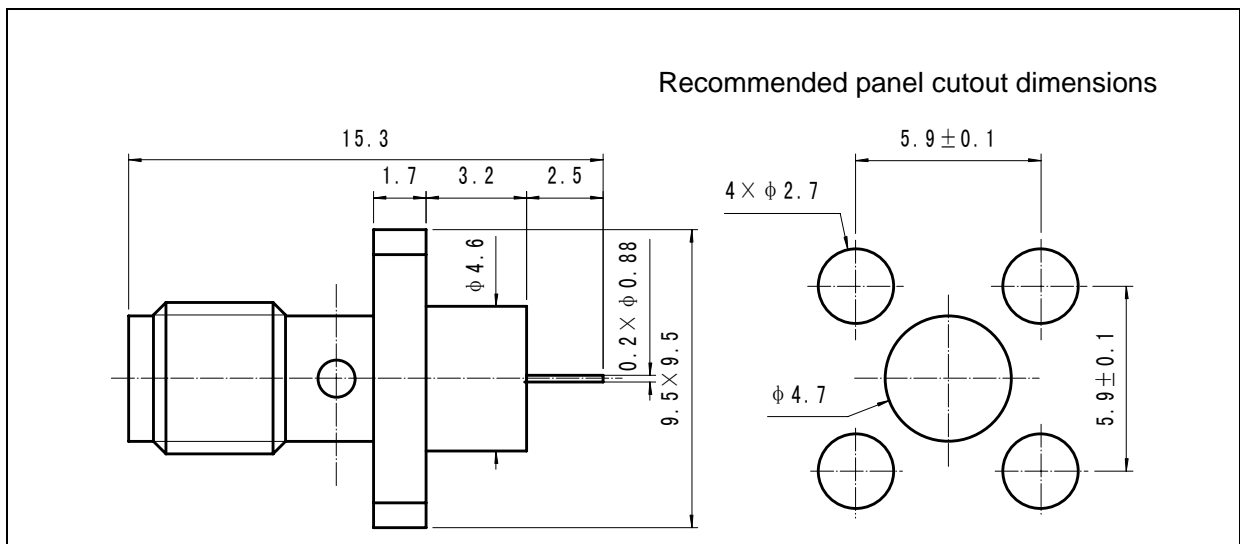
UUOC-KFD



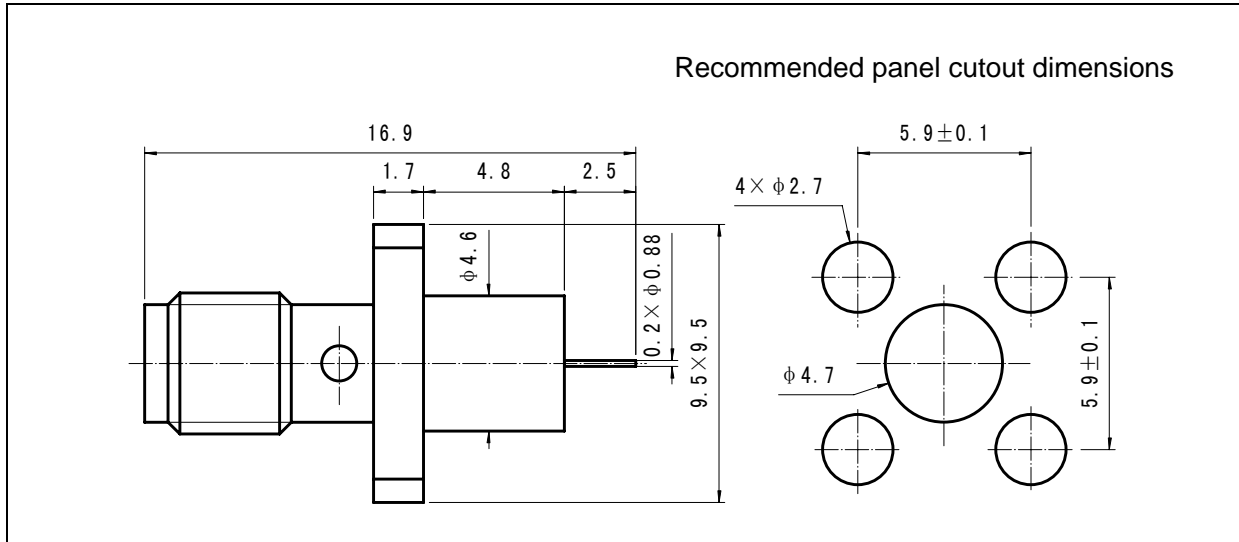
UUOC-KFD1



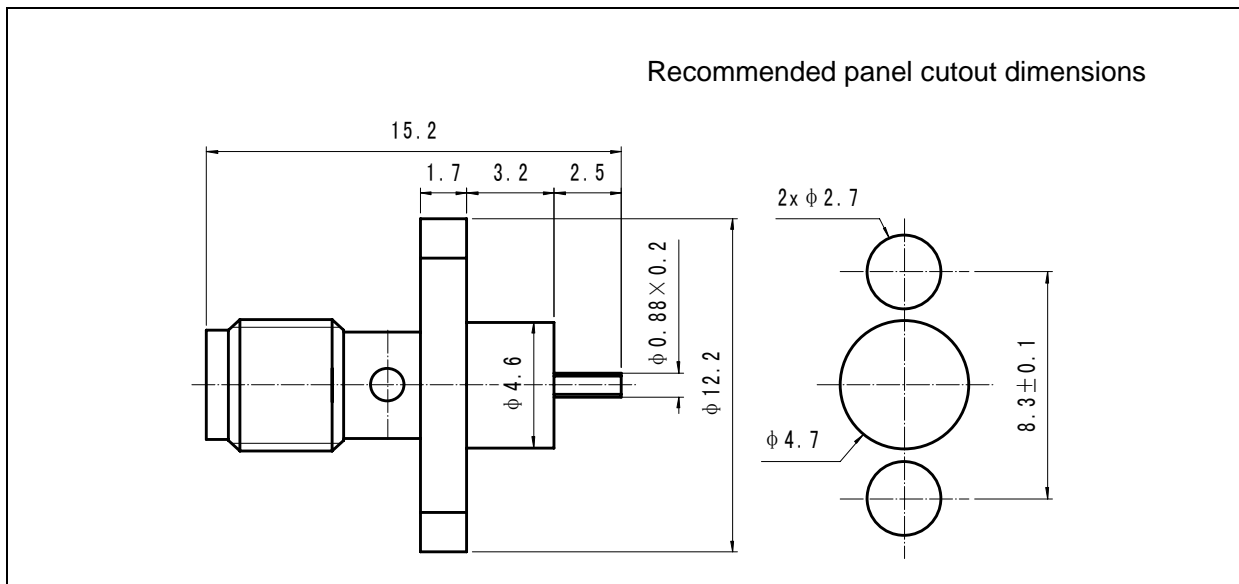
UUOC-KFD2



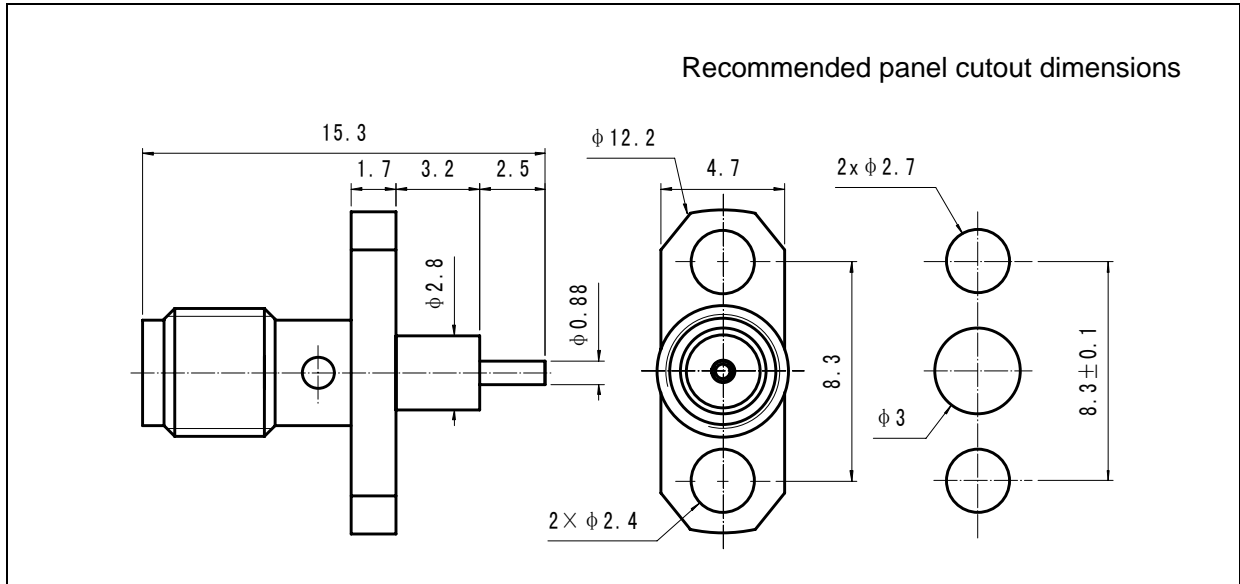
UUOC-KFD3



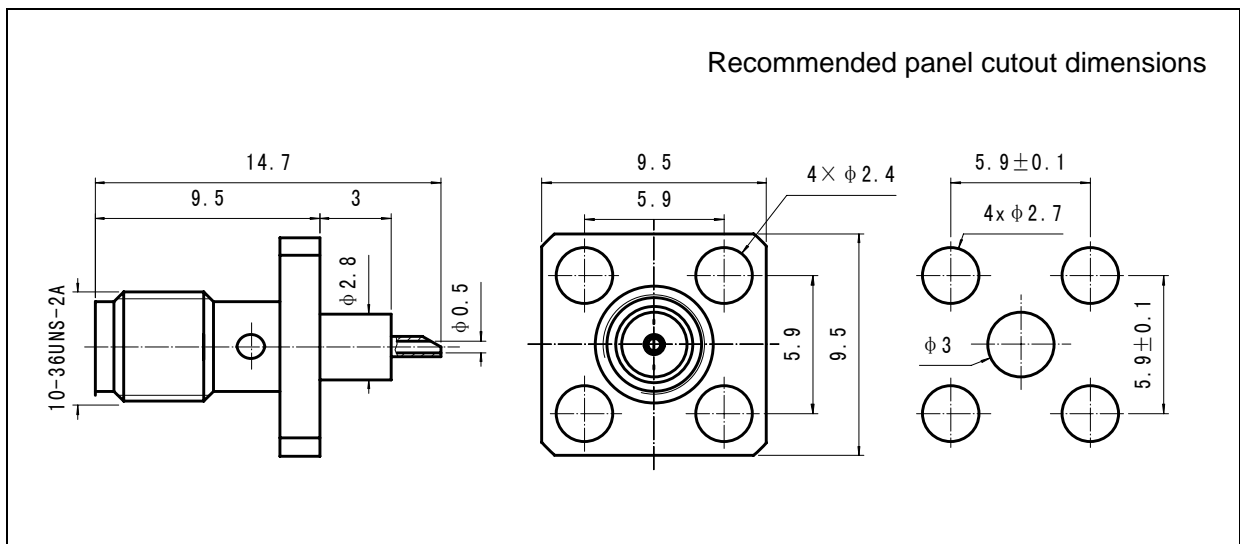
UUOC-KFD4



UUOC-KFD13, KFD13G



UUOC-KFD14



UUOC-KFD15

