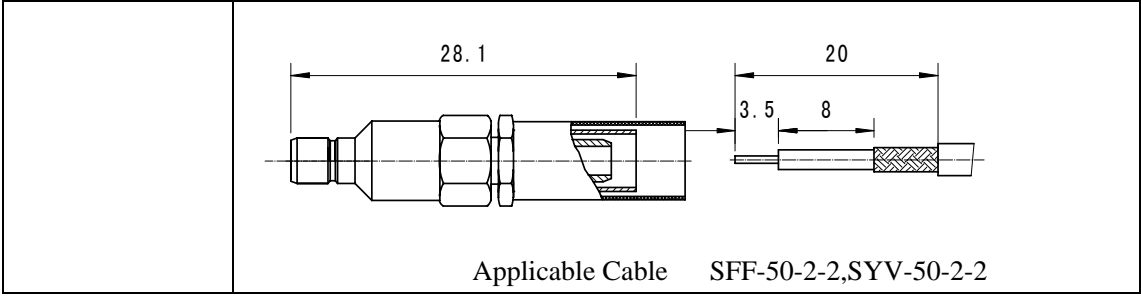
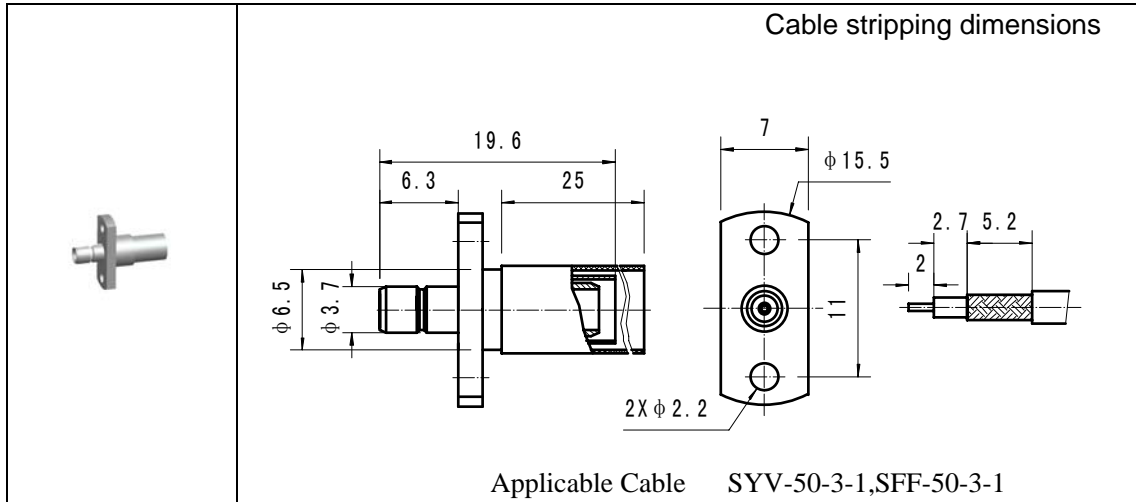


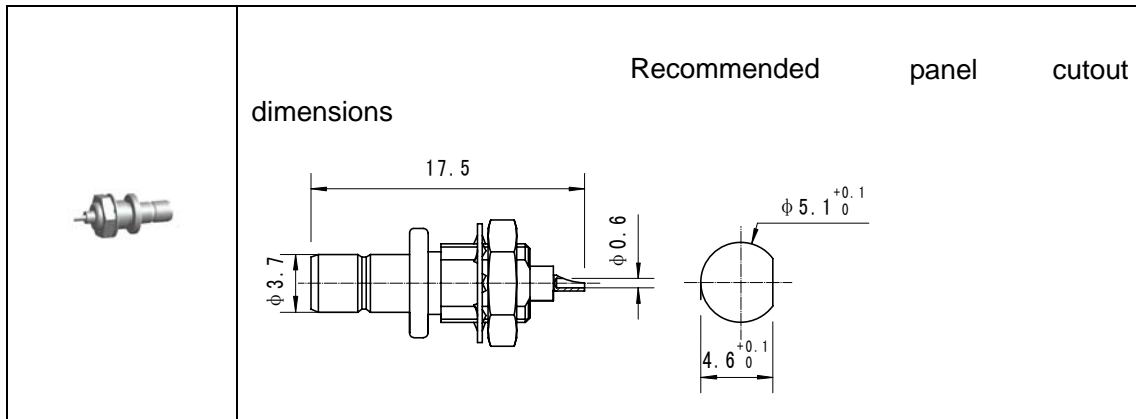
Insulator	Teflon
Sealing member	Silicone Rubber
Crimping sleeve	Copper alloy with nickel plating or gold plating
Heat shrink tube	Plastic
Elastic elements	Beryllium bronze with gold plating



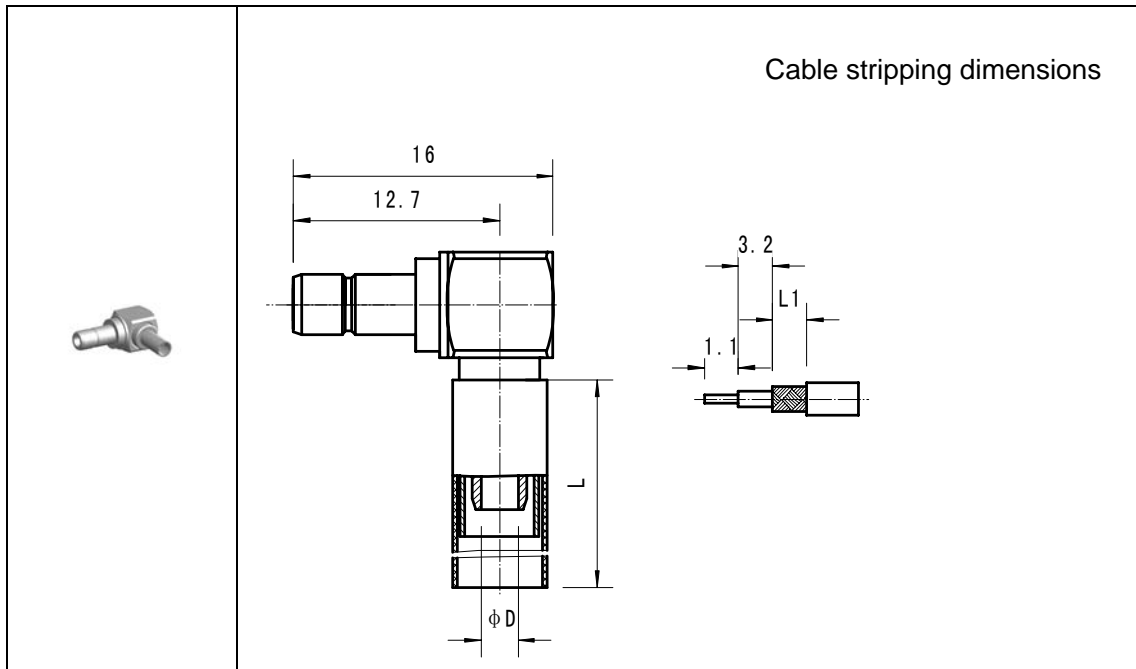
UOD-JF5A



UOD-JY



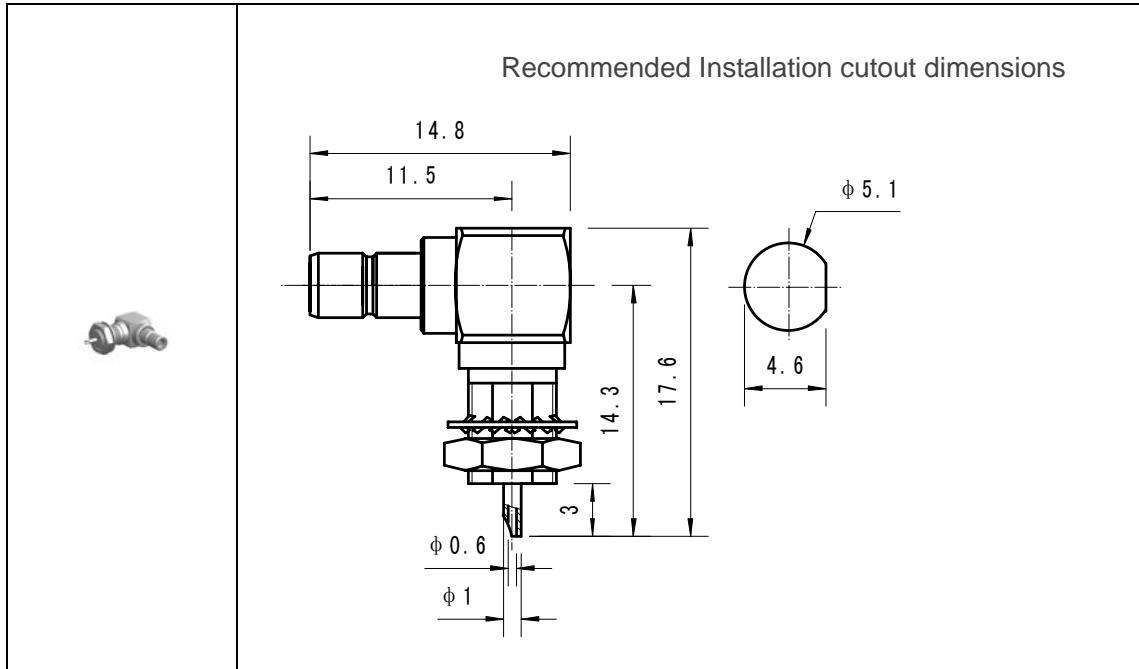
UOD-JW2



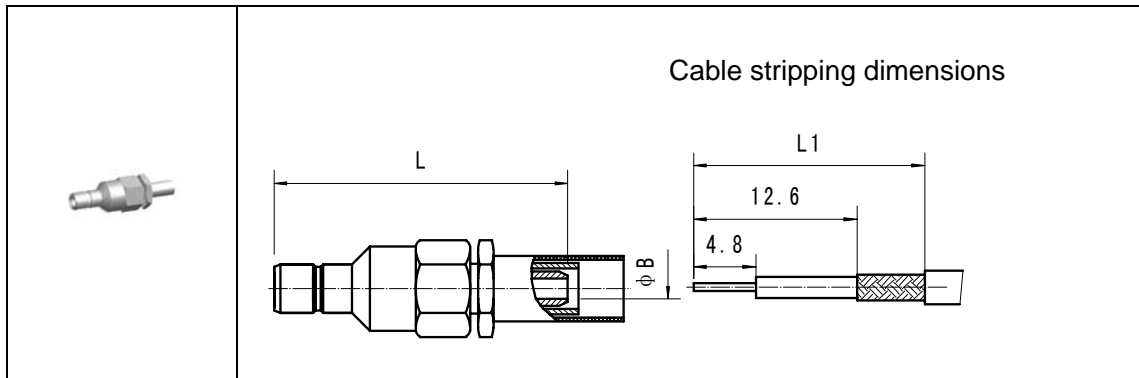
Part No.	L	L1	D	Applicable Cable
UOD-JW2	20	5	0.9	SYV-50-1,SFF-50-1
UOD-JW3	20	6	1.6	SYV-50-2-1,SFF-50-1.5-1

UOD-JW4	25	8	2.3	SYV-50-2-2,SFF-50-2-2
---------	----	---	-----	-----------------------

UOD-JWY



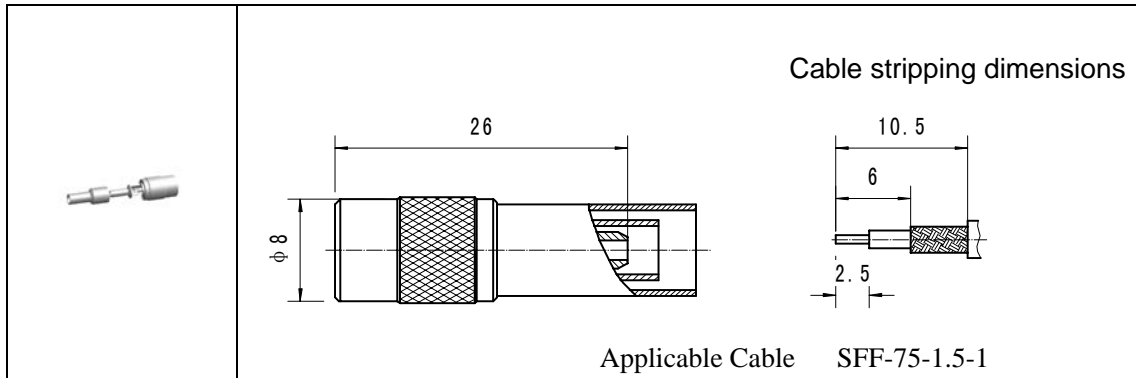
UOD-J2,J3



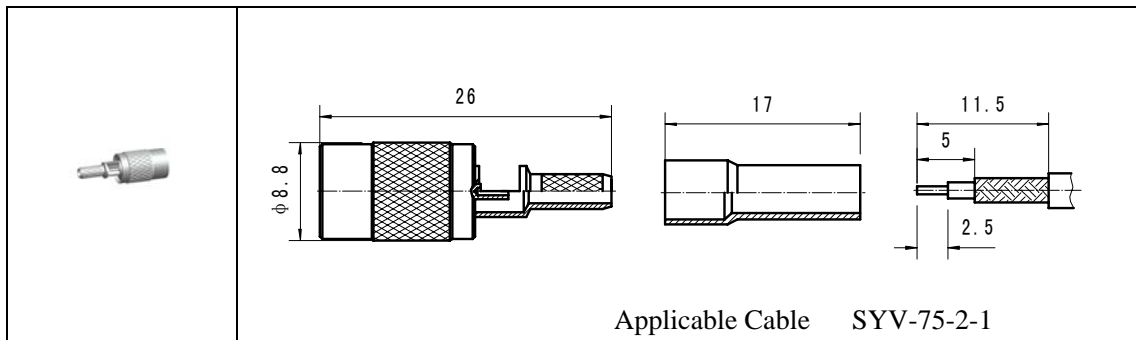
Part No.	L	L1	B	Applicable Cable
UOD-J2	21.6	18	0.9	SYV-50-1,SFF-50-1
UOD-J3	22.6	19	1.6	SYV-50-2-1,SFF-50-1.5-1

Receptacle terminated with the flexible cable

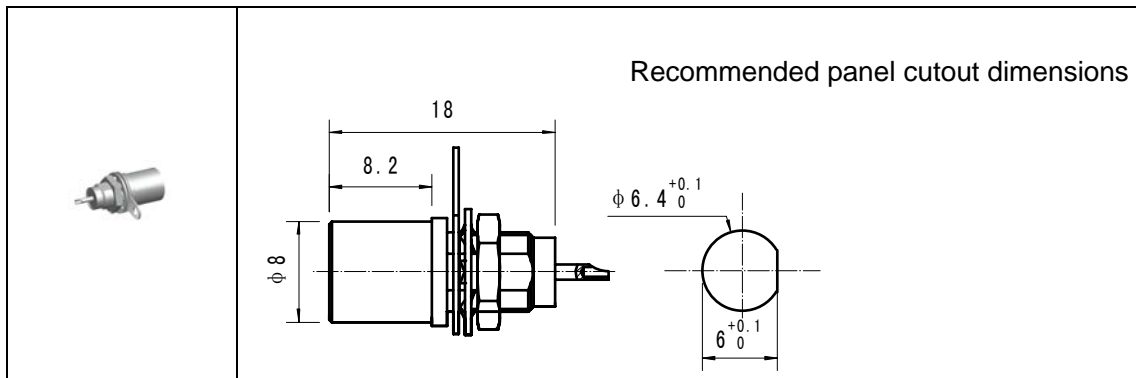
UOD-75K3



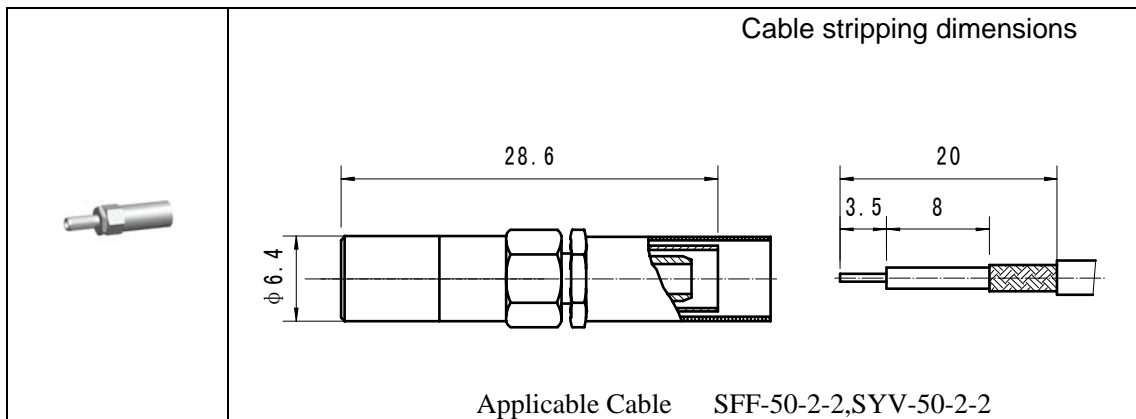
UOD-75K4-2



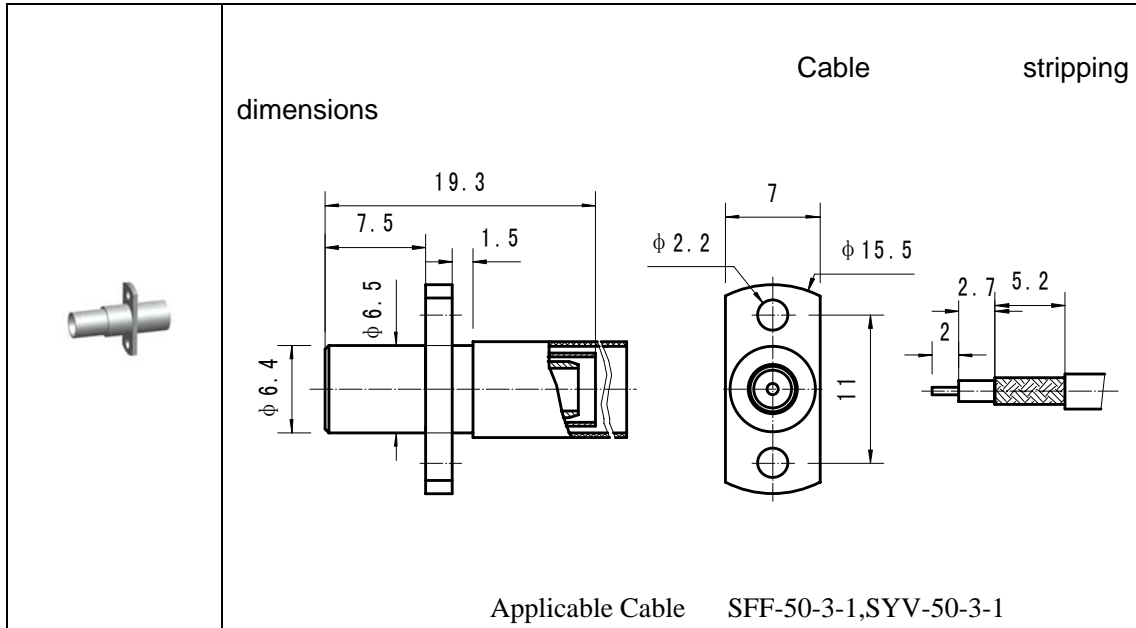
UOD-75KY



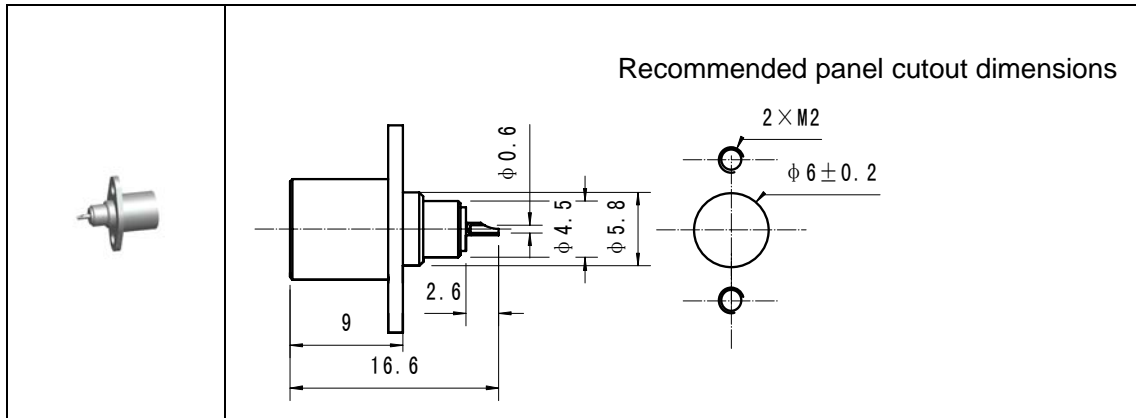
UOD-K4



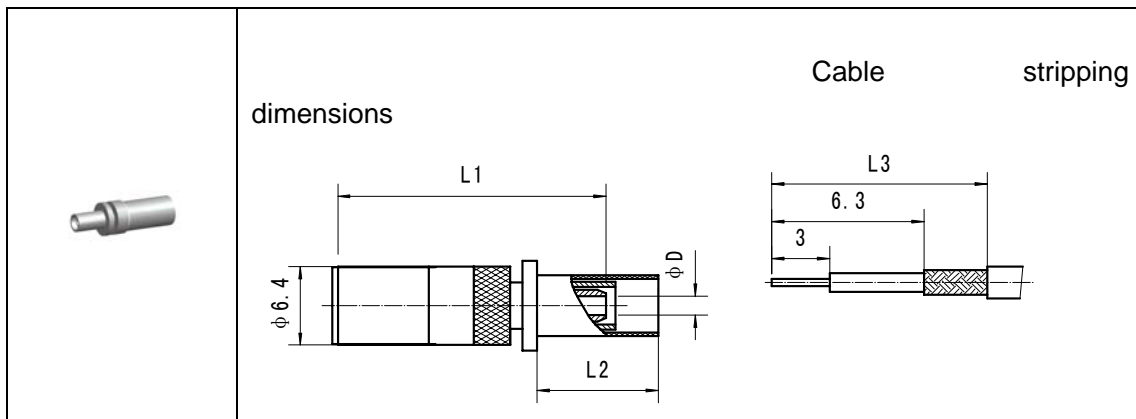
UOD-KF5A



UOD-75KF



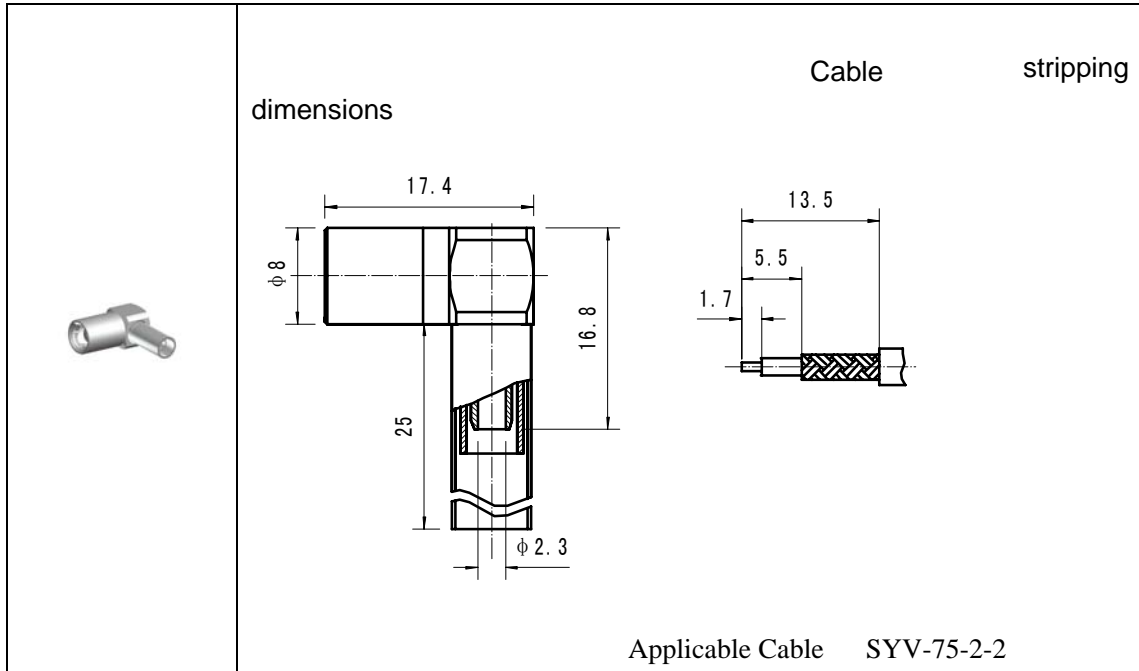
UOD-K2.5



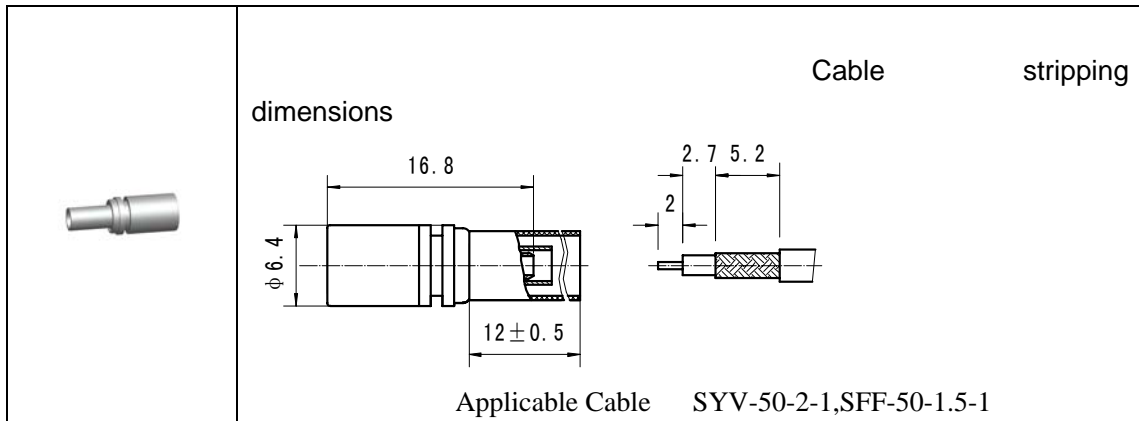
Part No.	L1	L2	L3	D	Applicable Cable
UOD-K2.5	22.1	20	15	1.6	RG316,SFF-50-1.5-1
UOD-K2.5D	22.1	20	15	1.6	SFF-50-1.5-1,RG316
UOD-K3A	22.1	20	15	1.6	SYV-50-2-1,SFF-50-1.5-1
UOD-K5A	26.5	25	20	3.1	SYV-50-3,SFF-50-3-1

UOD-K223	26.5	25	20	3.1	SFF-50-3-2
----------	------	----	----	-----	------------

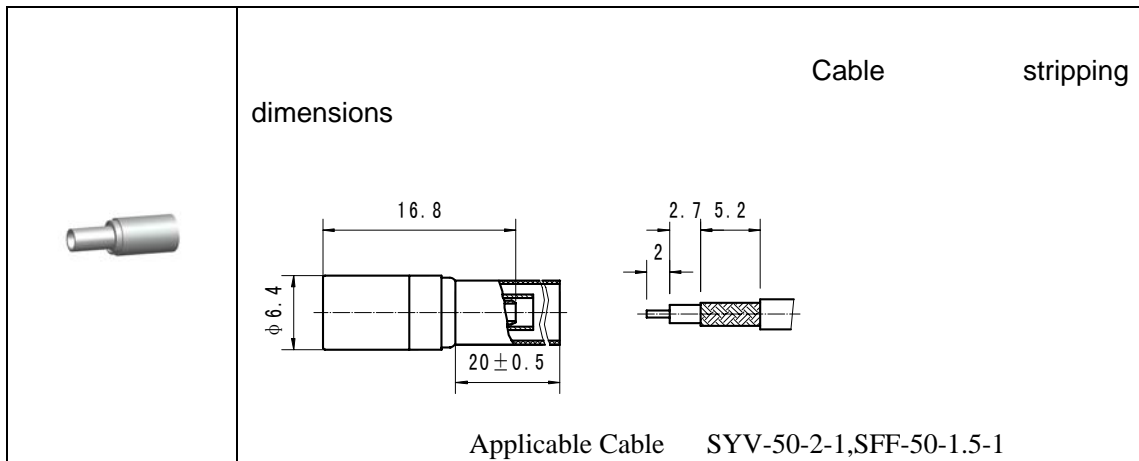
UOD-75KW4A




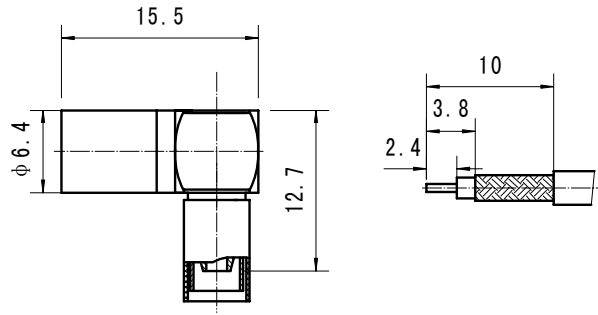
UOD-K3B-1




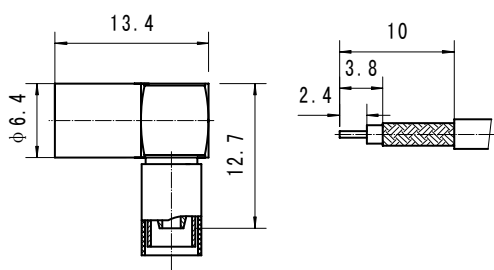
UOD-K3B



UOD-KW2,KW3

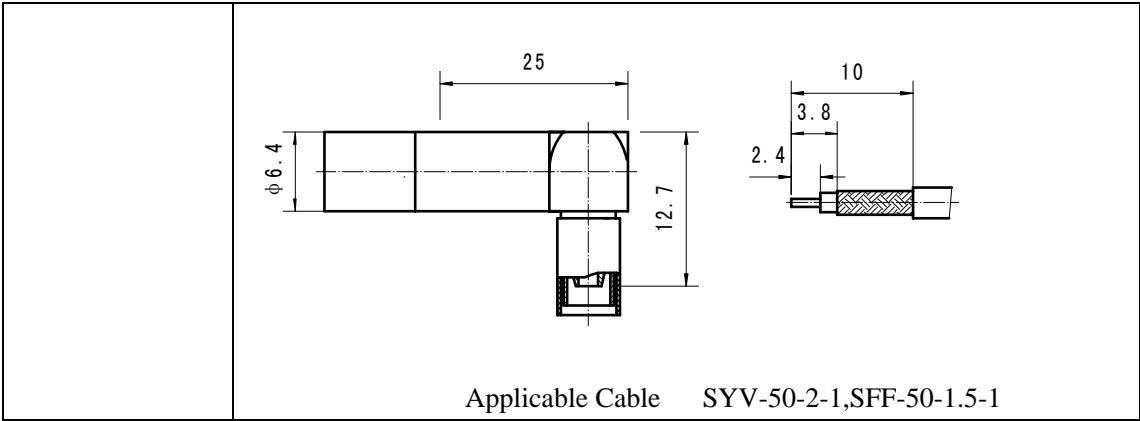
	<p style="text-align: right;">Cable stripping</p>	
	<p>dimensions</p> 	
Part No.	Applicable Cable	
UOD-KW2	SYV-50-1,SFF-50-1	
UOD-KW3	SYV-50-2-1,SFF-50-1.5-1	

UOD-KW2A,KW3A


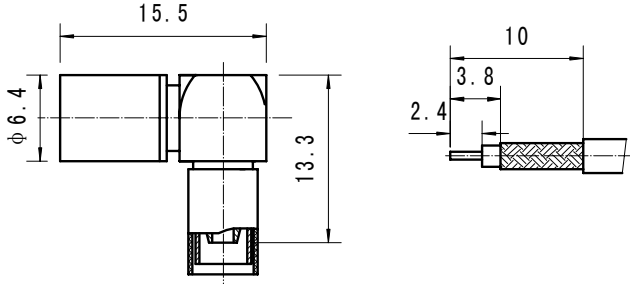
	<p style="text-align: right;">Cable stripping</p>	
	<p>dimensions</p> 	
	Applicable Cable	
UOD-KW2A	SYV-50-1,SFF-50-1	
UOD-KW3A	SYV-50-2-1,SFF-50-1.5-1	

UOD-KW3B


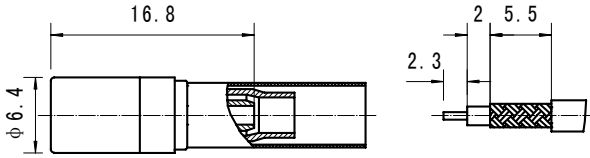
	<p style="text-align: right;">Cable stripping</p>	
<p>dimensions</p>		




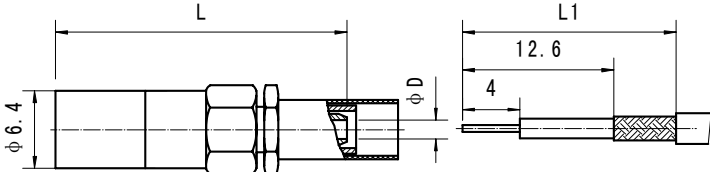
UOD-KW3C

	Cable stripping
	dimensions
	
Applicable Cable SYV-50-2-1,SFF-50-1.5-1	


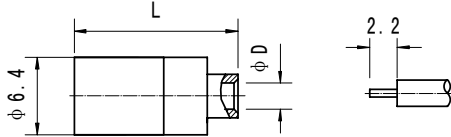
UOD-K316D

	Cable stripping
	dimensions
	
Applicable Cable RG316D	


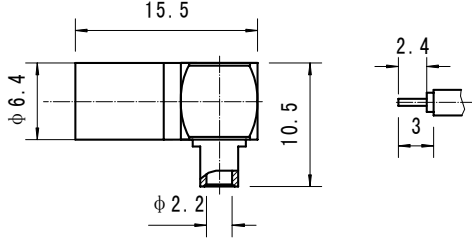
UOD-K2,K3

	Cable stripping			
	dimensions			
				
Part	L	L1	D	Applicable Cable
UOD-K2	23.2	18	1	SYV-50-1,SFT-50-1
UOD-K3	24.2	19	1.6	SYV-50-2-1,SFT-50-1.5-1


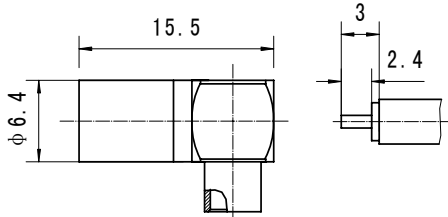
Receptacle, mounting with the semi-rigid cable UOD-KB2,KB3

	<p style="text-align: right;">Cable stripping</p>		
	<p>dimensions</p> 		
Part No.	L	D	Applicable Cable
UOD-KB2	12	2.2	SFT-50-2-1,670-086
UOD-KB3	13.7	3.6	SFT-50-3-1,670-141


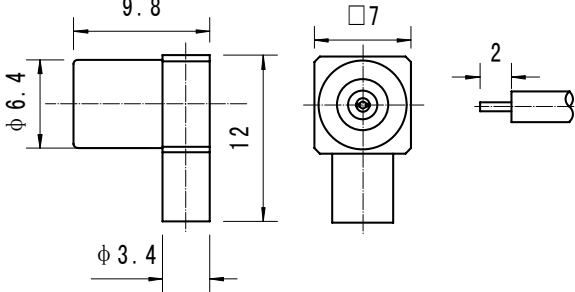
UOD-KWB2

	<p style="text-align: right;">Cable stripping</p>		
	<p>dimensions</p> 		
		Applicable Cable	SFT-50-2-1


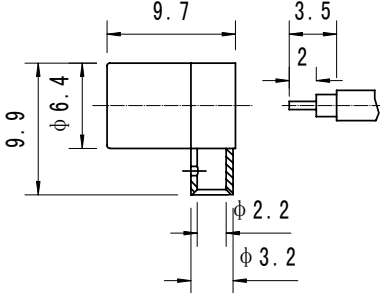
UOD-KWB3

	<p style="text-align: right;">Cable stripping</p>		
	<p>dimensions</p> 		
		Applicable Cable	SFT-50-3-1


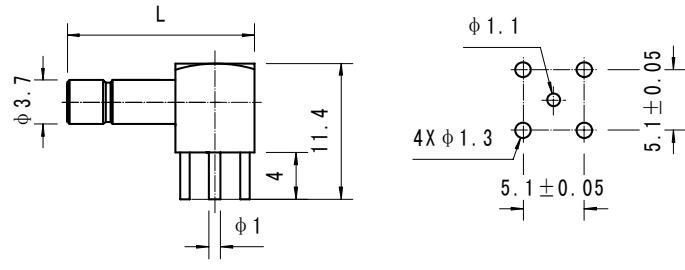
UOD-KWB2-1

	<p style="text-align: right;">Cable stripping</p> <p>dimensions</p>  <p style="text-align: right;">Applicable Cable RG405</p>
---	---


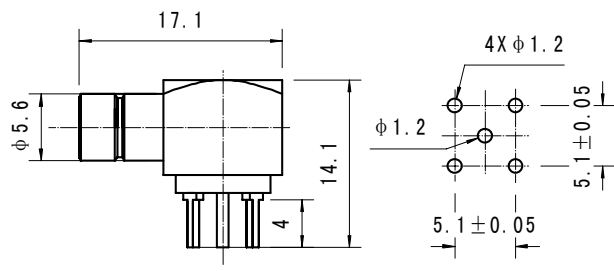
UOD-KWB2N

	<p style="text-align: right;">Cable stripping</p> <p>dimensions</p>  <p style="text-align: right;">Applicable Cable SFT-50-2-1,670-086,670-086SXE</p>
---	--


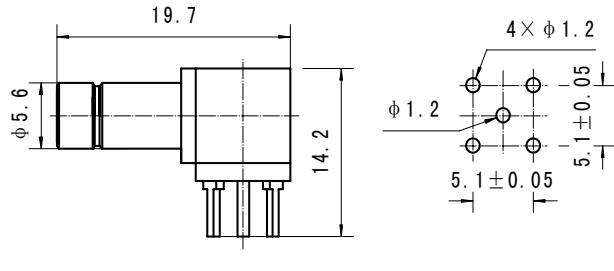
Plug terminated with the microstrip, PCB UOD-JWHD, JWHD1

	<p style="text-align: right;">Installation cutout dimensions</p> 	
<p>Part No.</p>	<p style="text-align: center;">L</p>	
<p>UOD-JWHD</p>	<p style="text-align: center;">15.5</p>	
<p>UOD-JWHD1</p>	<p style="text-align: center;">13.5</p>	


UOD-75JWHD

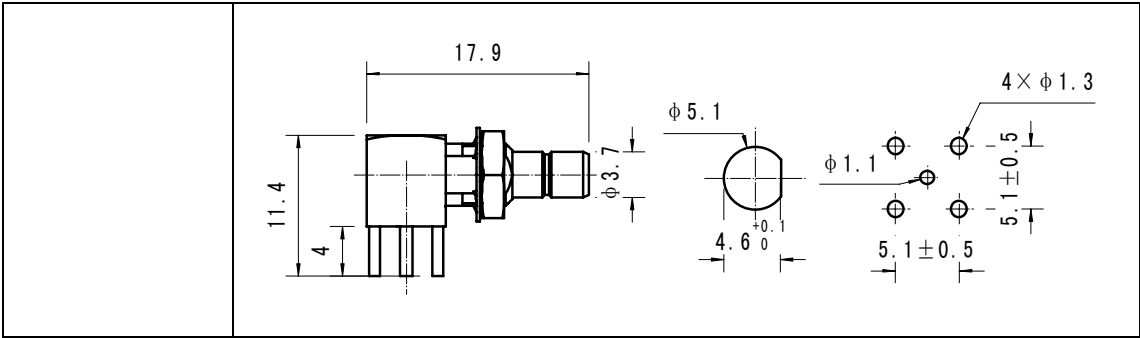
	<p style="text-align: right;">Recommended panel cutout dimensions</p> 	
---	---	--

UOD-75JWHD1

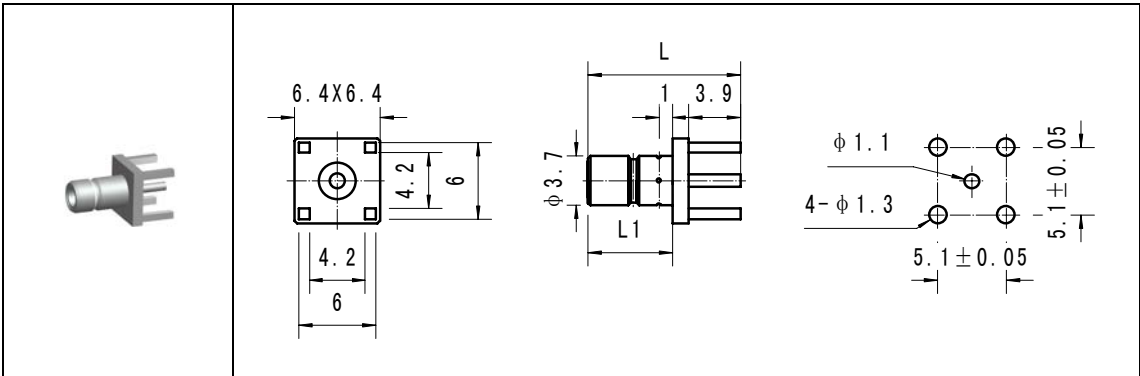
	<p style="text-align: right;">Recommended panel cutout dimensions</p> 	
---	--	--

UOD-JWHY

	<p style="text-align: right;">Recommended panel cutout dimensions Installation PCB cutout dimensions</p>	
---	--	--

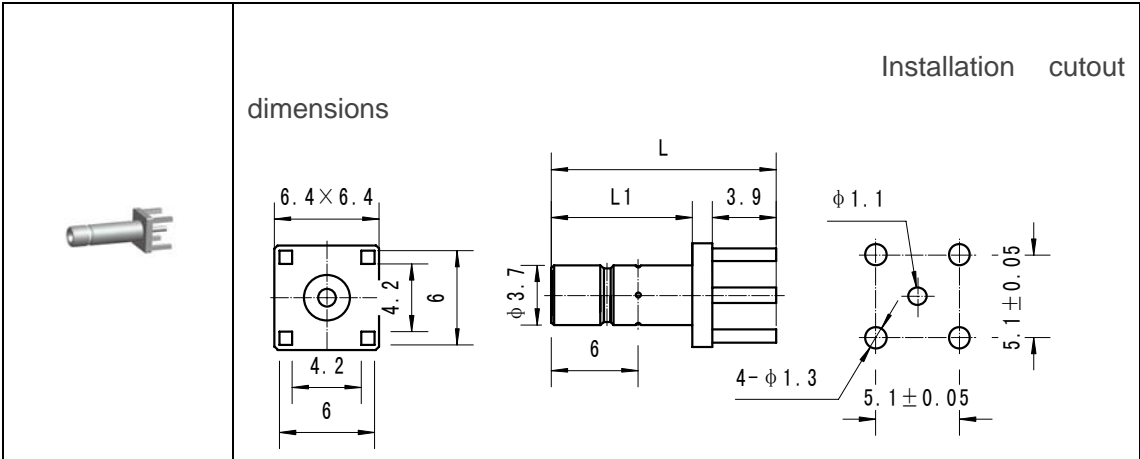


UOD-JHD,JHDA



Part No.	L	L1
UOD-JHD	11.4	6.3
UOD-JHDA	10.7	5.6

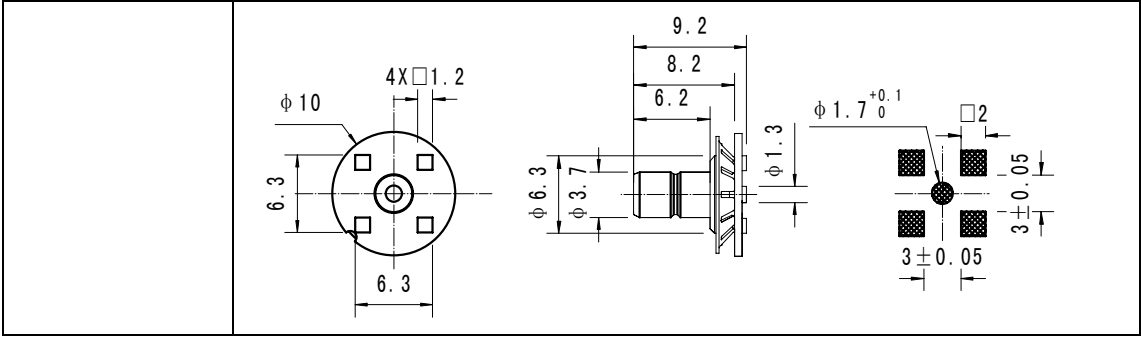
UOD-JHD3,JHD4



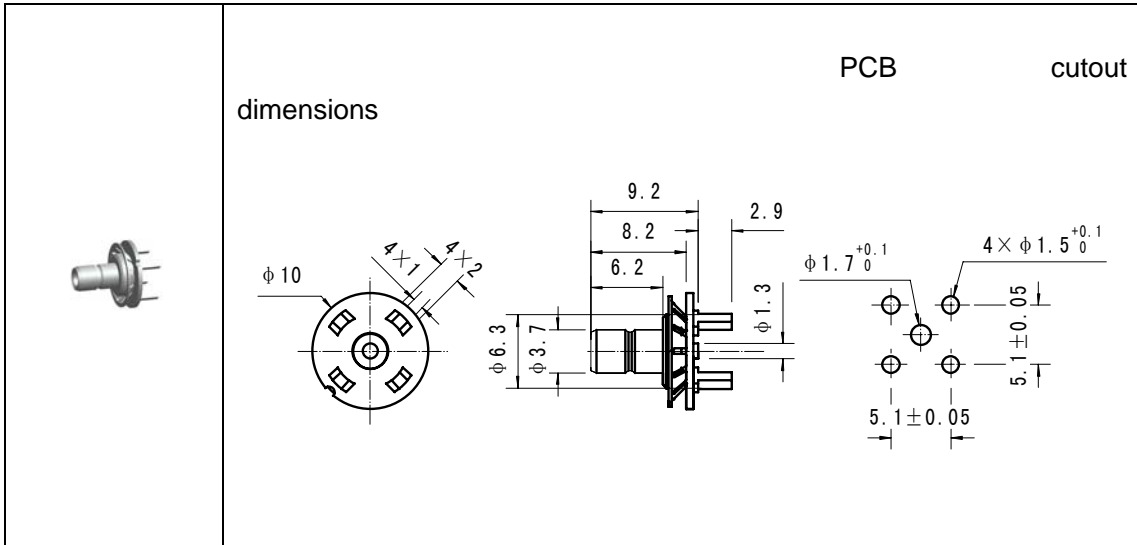
Part No.	L	L1
UOD-JHD3	18.3	13.2
UOD-JHD4	13.7	8.6

UOD-JHD5

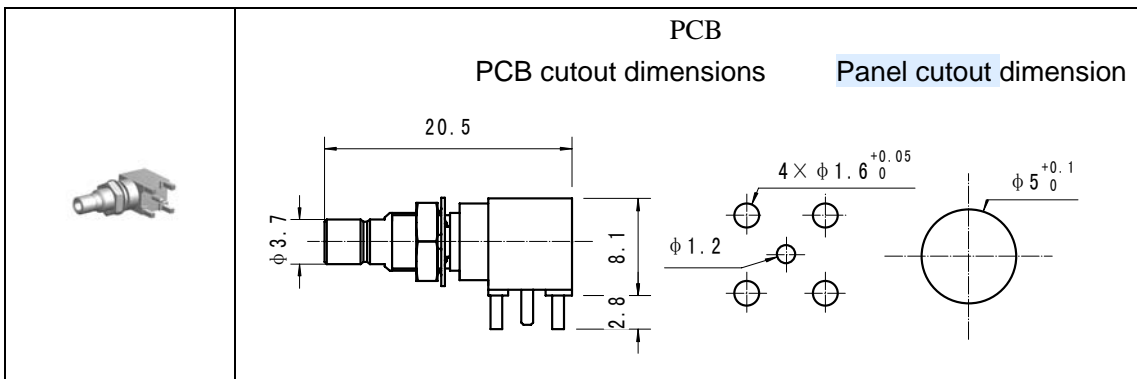




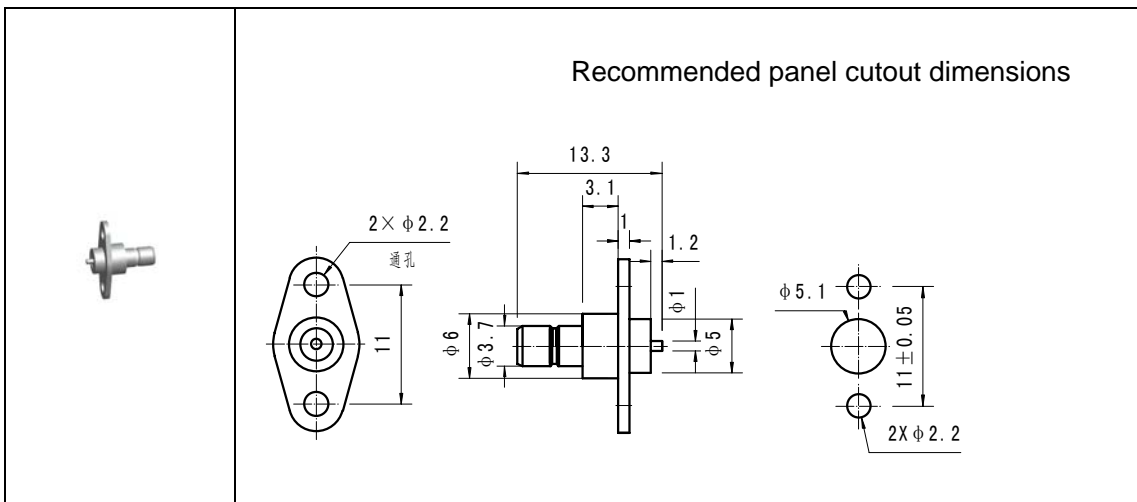
UOD-JHD6



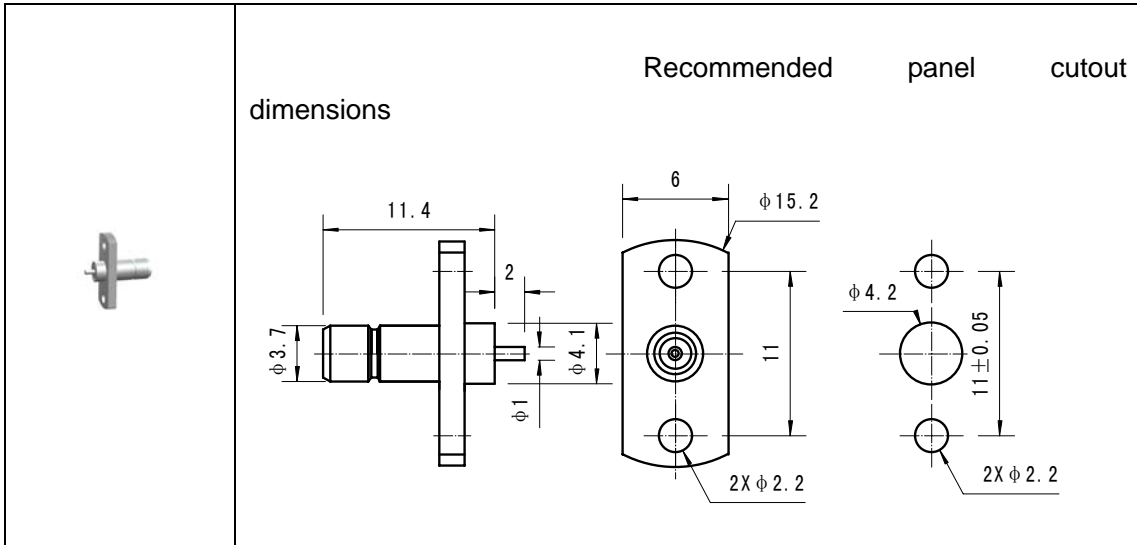
UOD-JYWHD



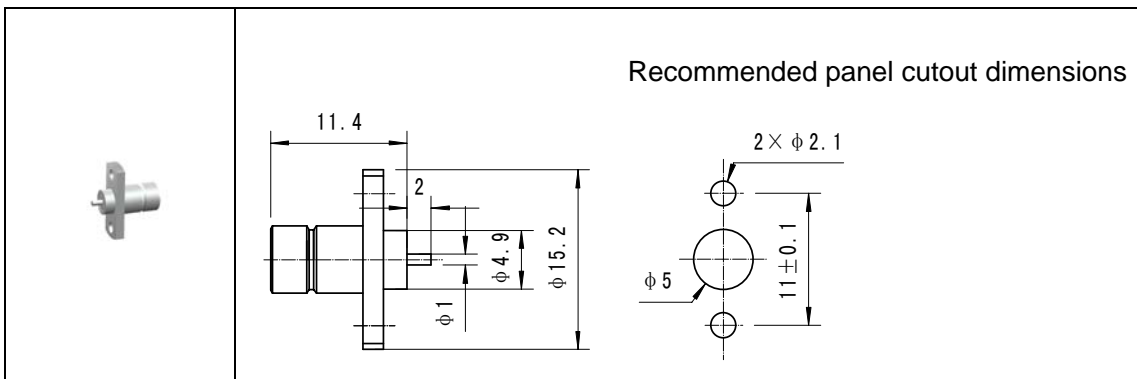
UOD-JFD



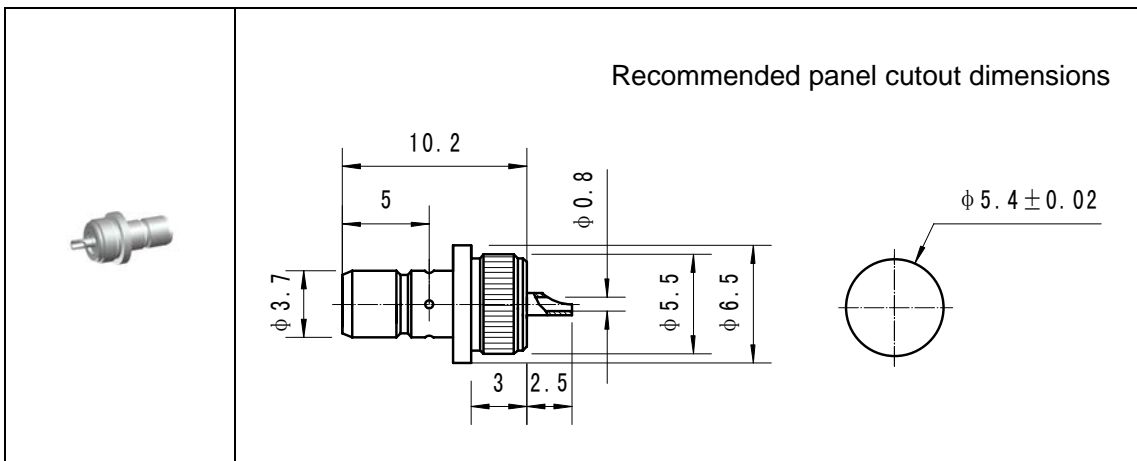
UOD-JFDA



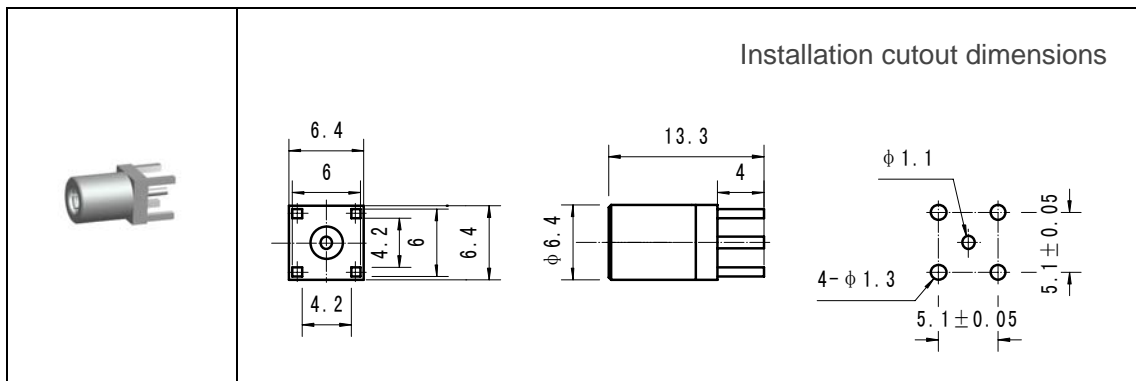
UOD-75JFD



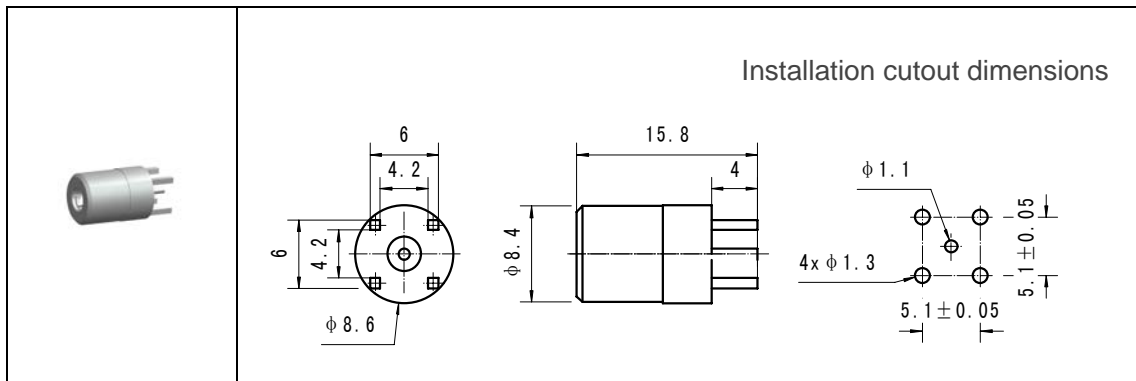
UOD-JD



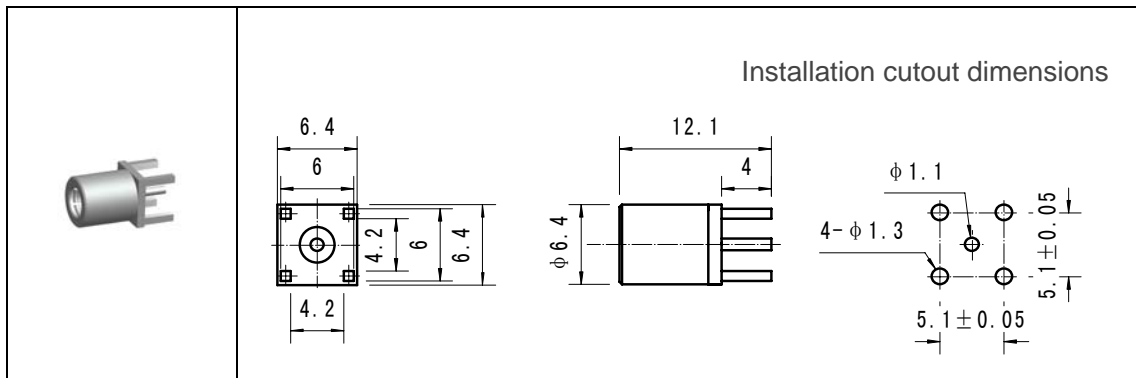
Receptacle terminated with the microstrip, PCB UOD-KHD



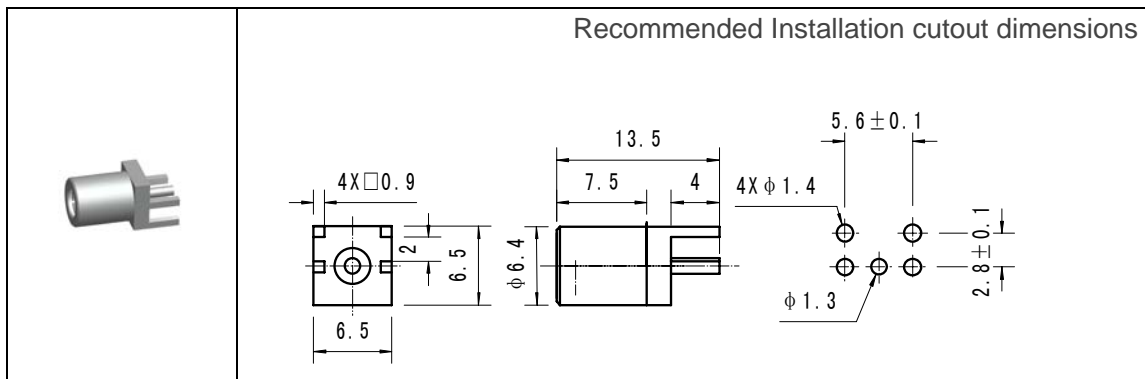
UOD-KHD1



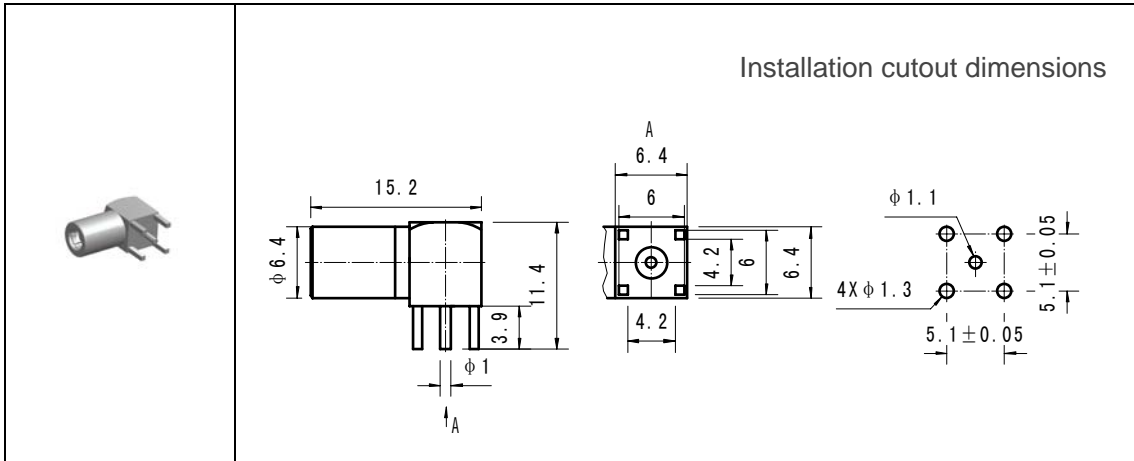
UOD-KHDA



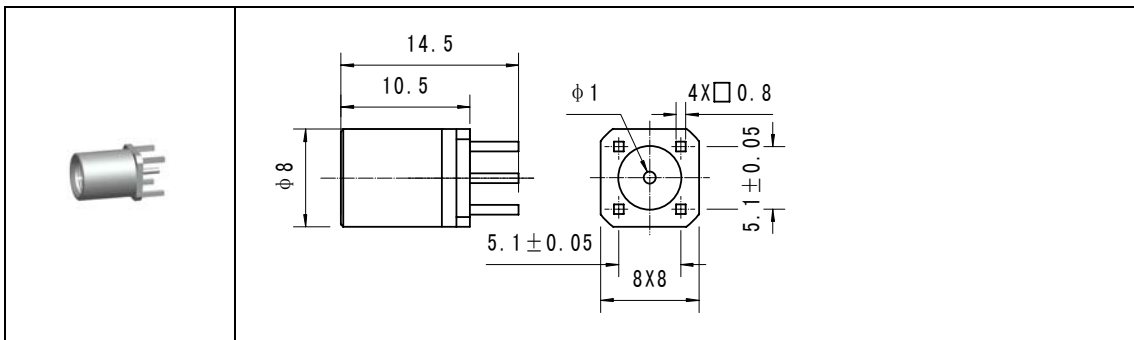
UOD-KHD9



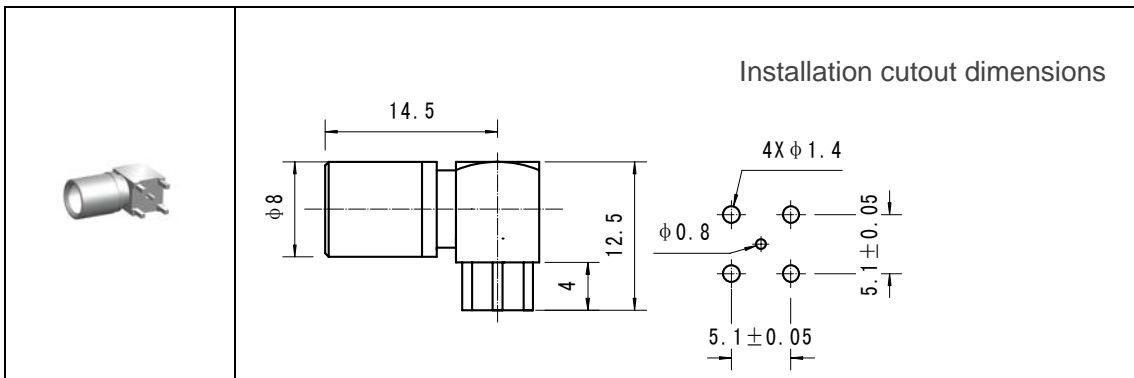
UOD-KWHD



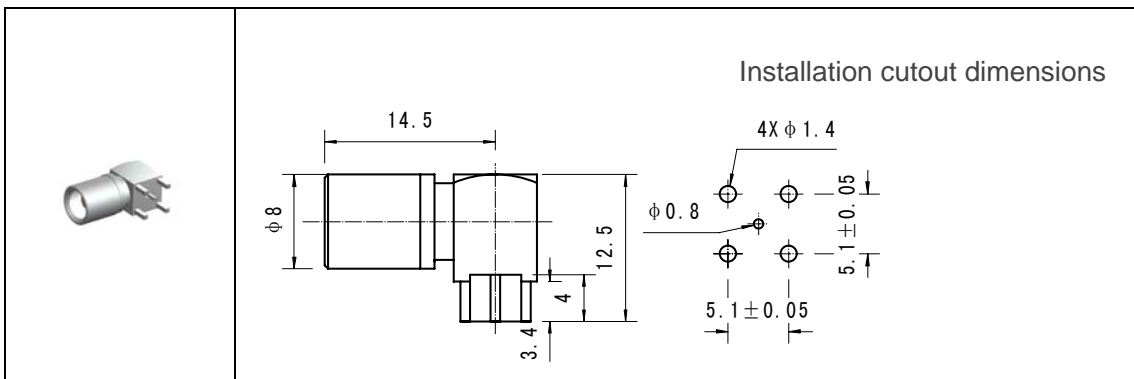
UOD-75KHD



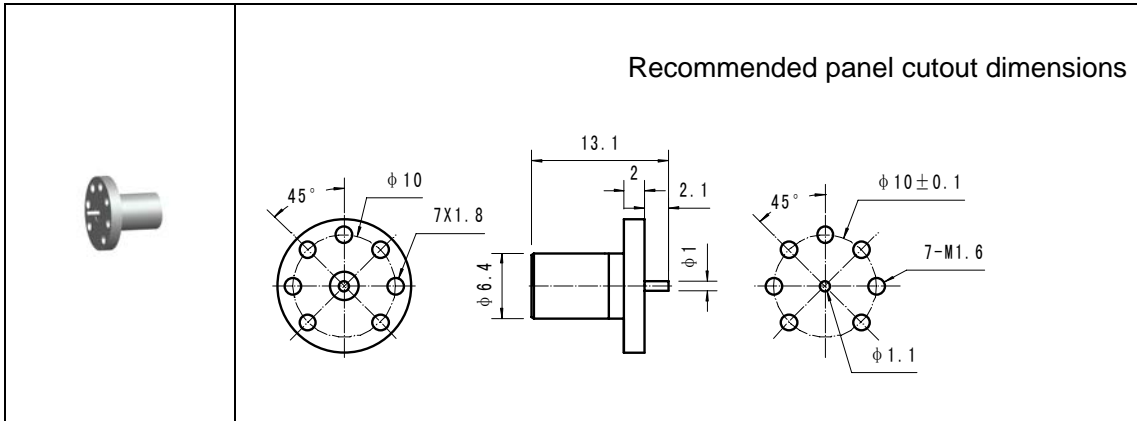
UOD-75KWHD2



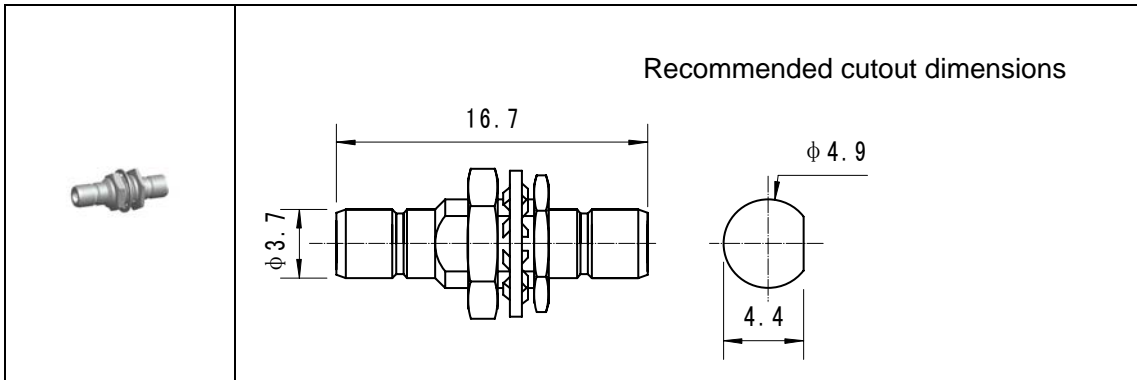
UOD-75KWHD3



UOD-KFD



UOD-JJY3



UOD-KK

