

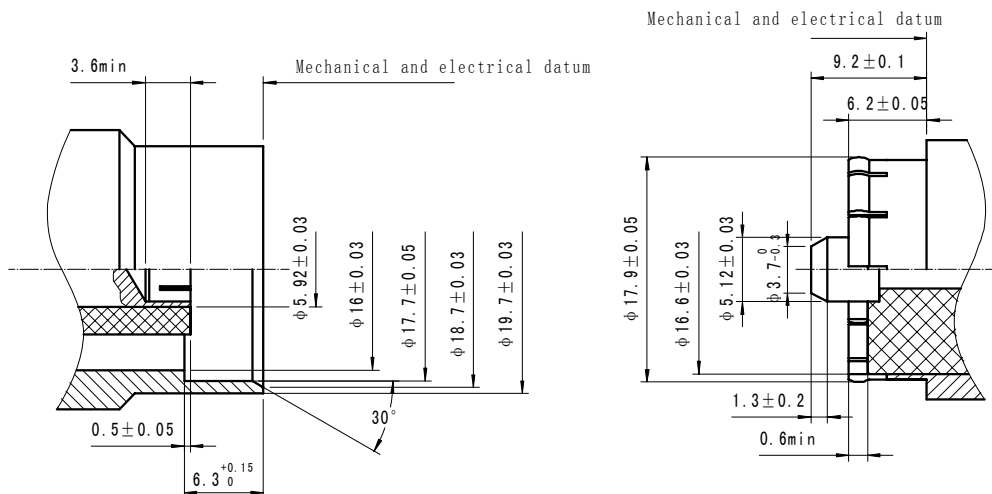
### SBX Series RF Coaxial Connector

- The new connector have put-in type、high power、blind mating characteristics.
- Used in all kinds of microwave circuit connection, it is help for the whole system of radar modular.
- The advantage is contact reliability、mechanical superior performance、high vibration resistant、butt convenient

#### Main technical characteristics

Temperature Range		-65~+165°C	Insulation resistance	≥1000MΩ
Characteristic Impedance		50Ω	Dielectric Strength	1500V
Frequency Range		0~8GHz	Operating Voltage	1000V
Contact resistance	Central conductor	≤0.006Ω	Voltage standing wave ratio (VSWR)	≤1.15+0.02f
	Outer conductor	≤0.0025Ω	Endurance	500 cycle

#### Interface Dimensions



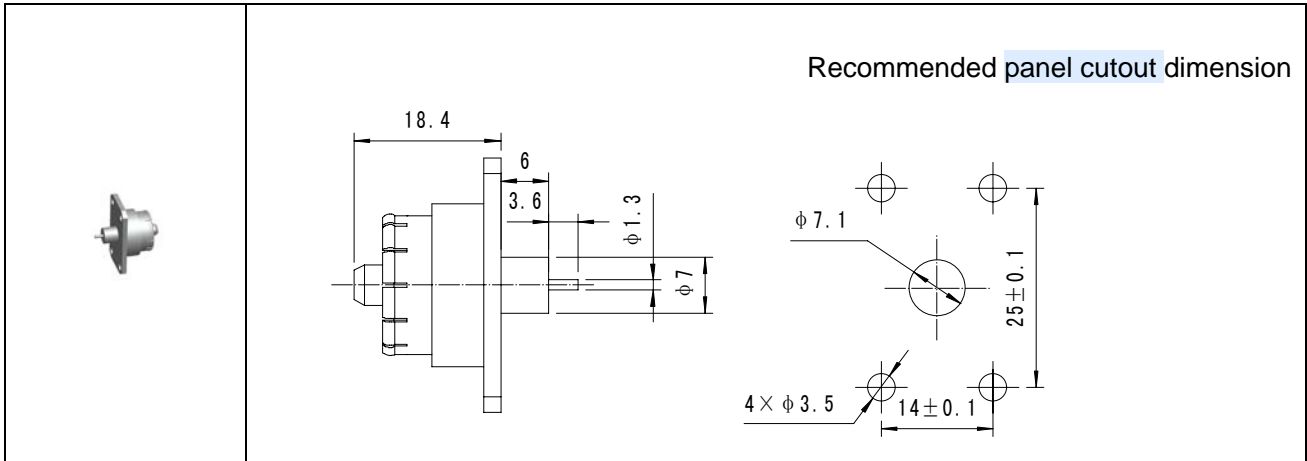
Name	Material & Plating
Outer conductor	Brass with nickel plating or silver plating

Central conductor	Pin	Brass with gold plating
	Socket	Tin bronze with gold plating
Insulator		Teflon
Sealing		Silicone Rubber
Crimping suite		Brass with nickel plating
Shrink sleeve		Plastic

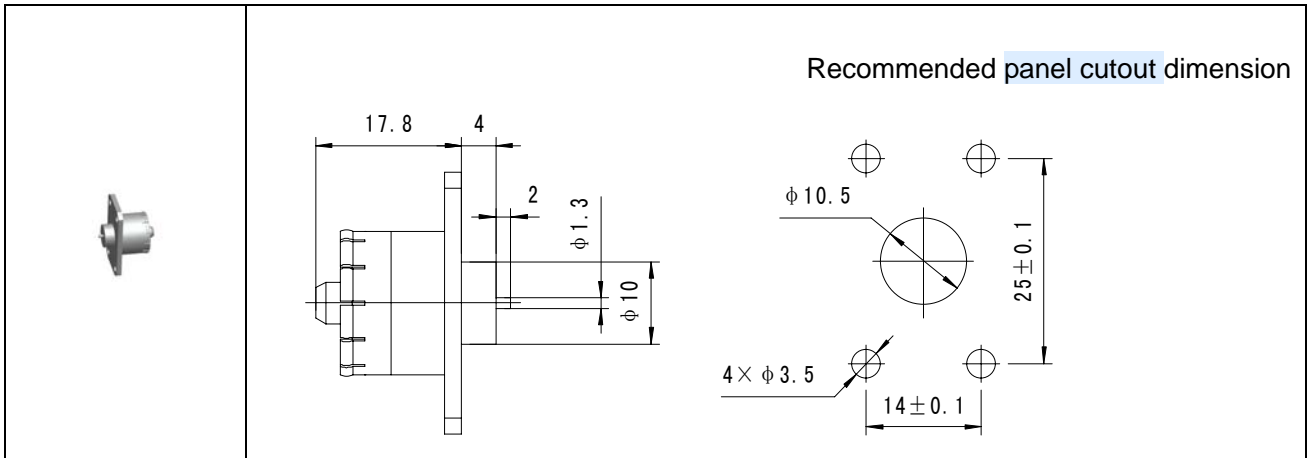
Outline dimensions

**SBX-JFD**

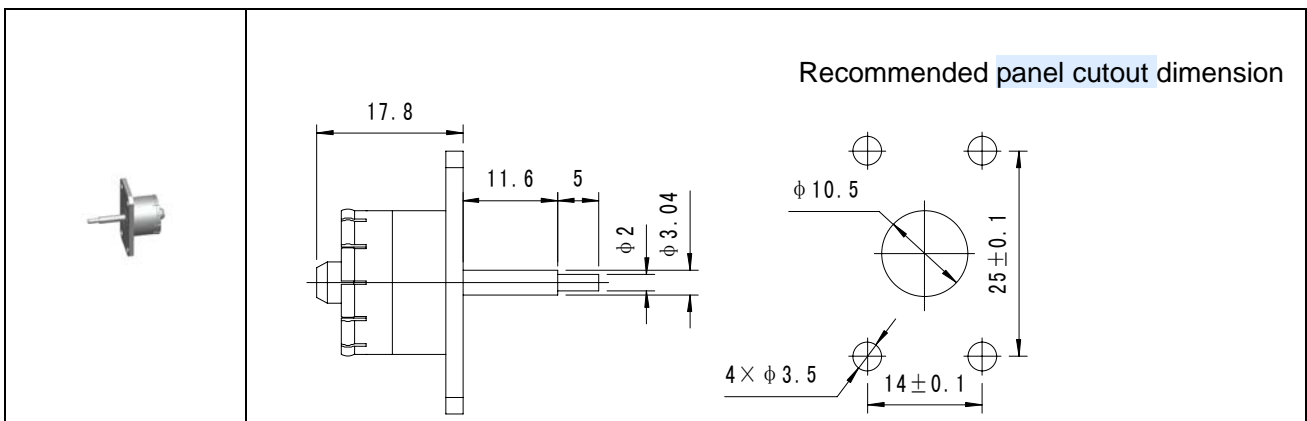
Plug, With the microstrip



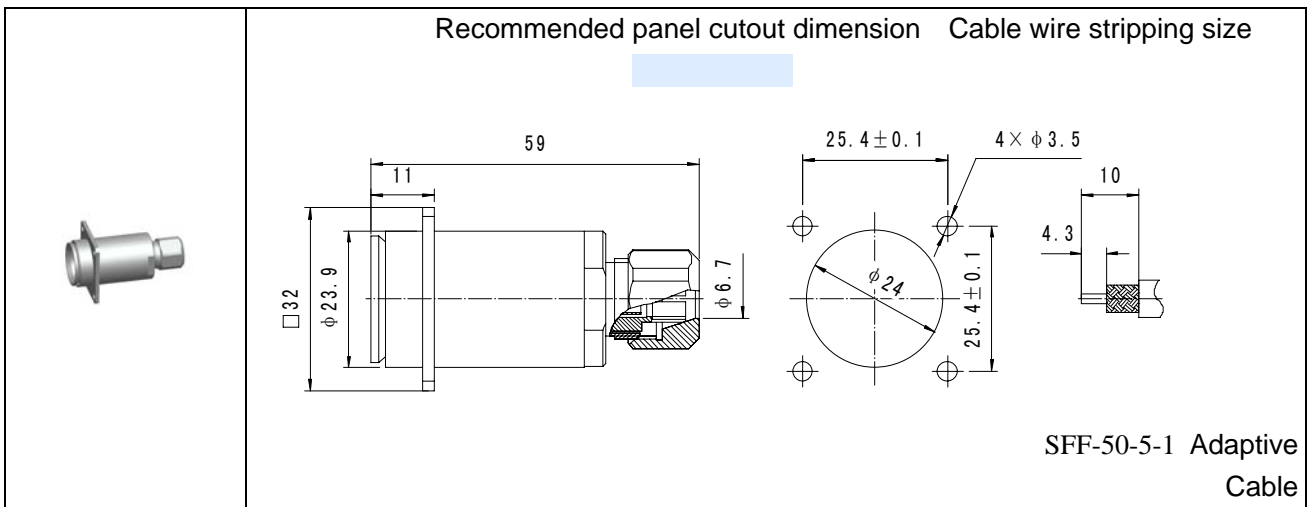
**SBX-JFD1**



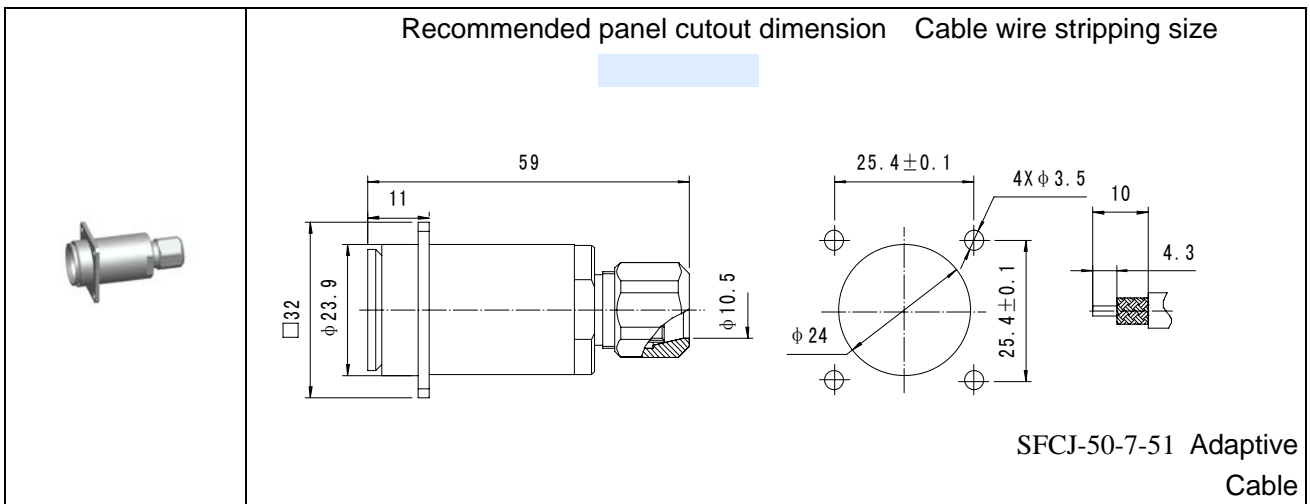
**SBX-JFD2**



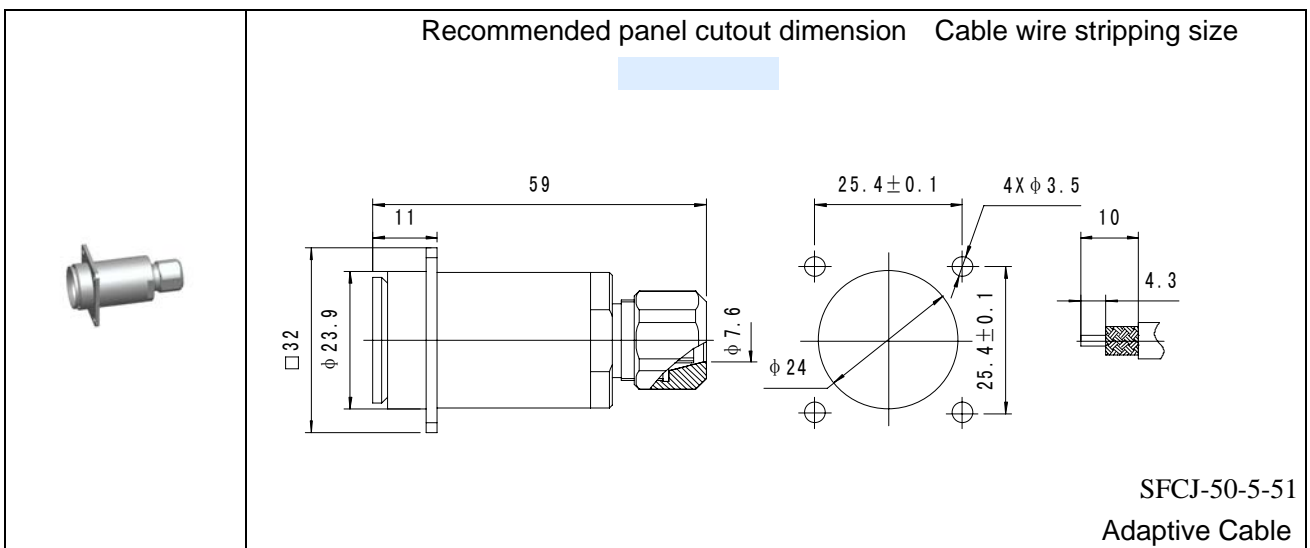
Receptacle, With the cable **SBX-KF1A**



**SBX-KF7A**



**SBX-KF27A**



**SBX-KF-KSJ4**

