

## RFNE Series Optic Connector

### Product brief introduction

- Fastening protection for FNE plug
- Thread coupling and waterproof design
- Convenient operation and quick, reliable coupling
- Interconnect with FNE module

### Applications

- Outdoor optic telecommunication network
- Outdoor equipments interconnection

### Performances

| Parameters           | SM                           |
|----------------------|------------------------------|
| Return Loss (dB)     | ≥40                          |
| Insertion Loss (dB)  | ≤0.2 (typical) , ≤0.3 (Max.) |
| Repeatability (dB)   | ≤0.2                         |
| Durability (cycles)  | 500                          |
| Operating Temp. (°C) | -40~+80                      |
| Tensile strength (N) | ≥350 (Main cable)            |

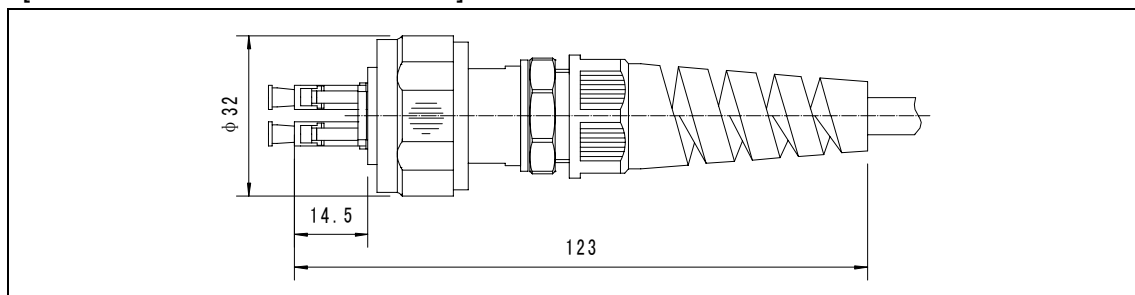
Note:1) Insertion loss is only for the plug and cable itself is counted additionally (SM 0.4dB/km@1310nm);

2) The minimum bending diameter should not be less than 25 times of the fiber/cable diameter.

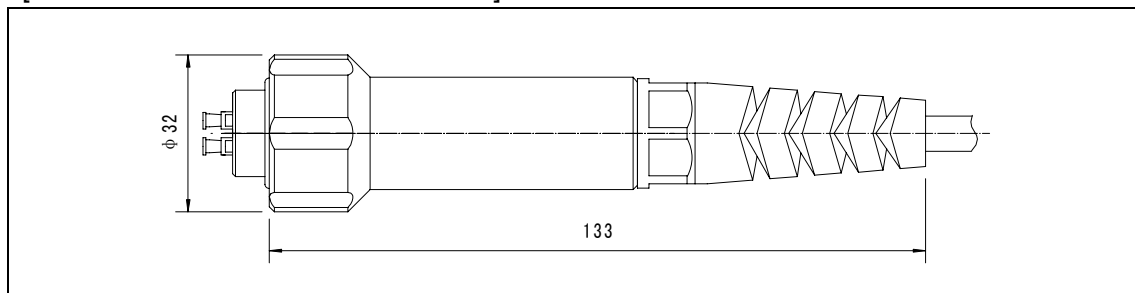
3) Please avoid cashing or bumping them in use, Put on the dust cap immediately after using.

### Outline dimensions

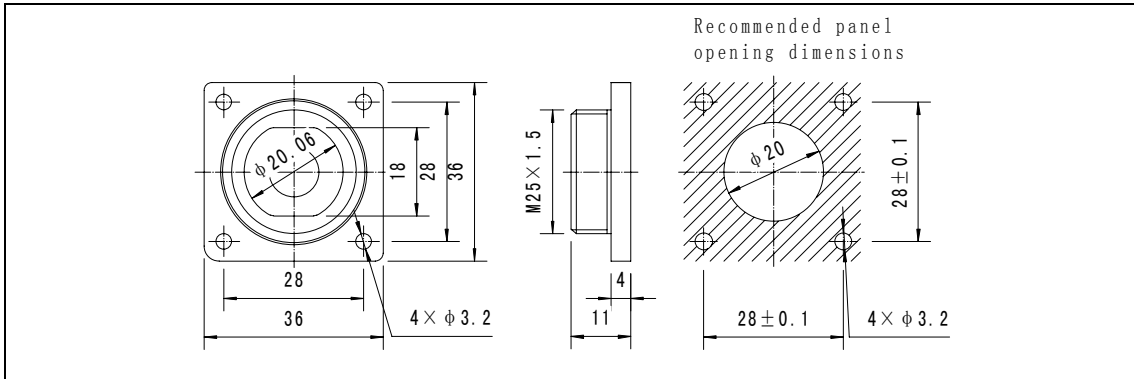
[RFNE03 (mate with RFNE03-A) ]



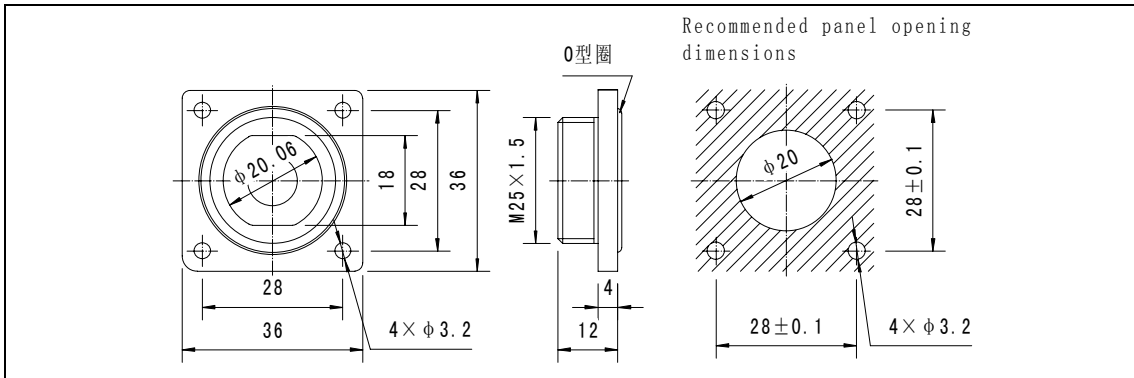
[RFNE03B (mate with RFNE03B-A) ]



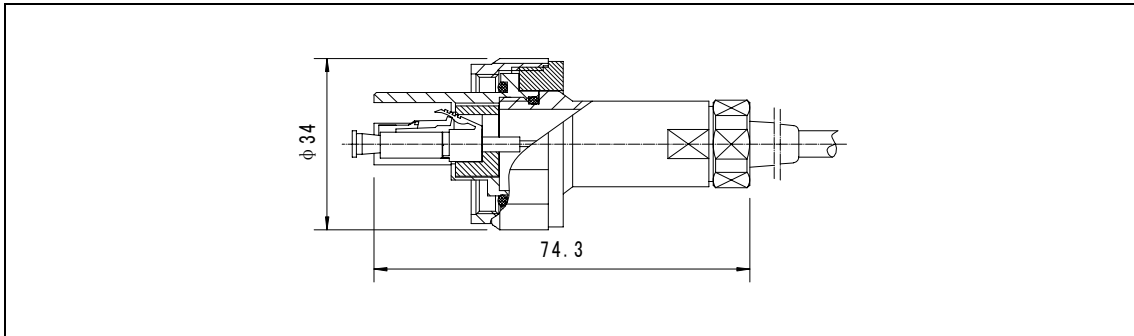
[RFNE03-A]



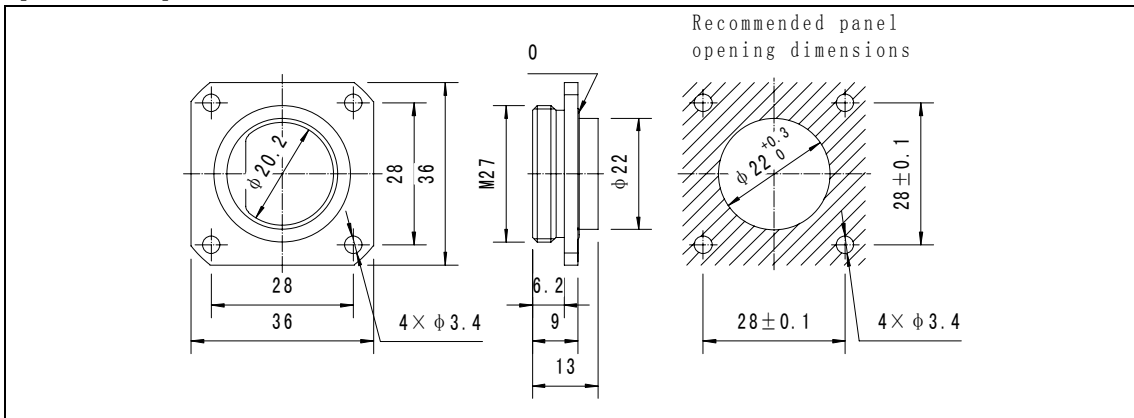
RFNE03B-A]



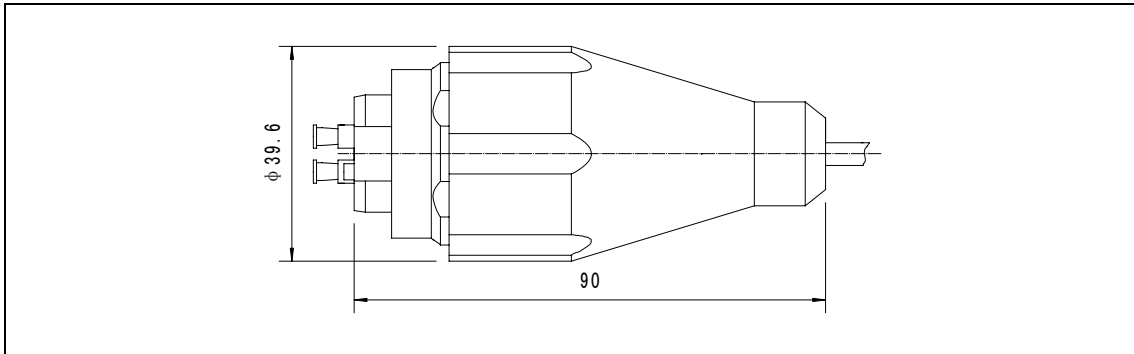
[RFNE05 (mate with RFNE05-A) ]



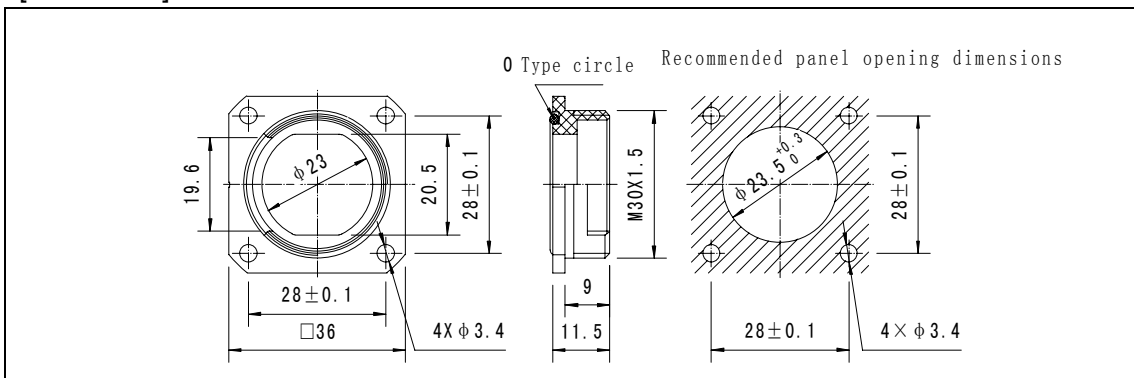
[RFNE05-A]



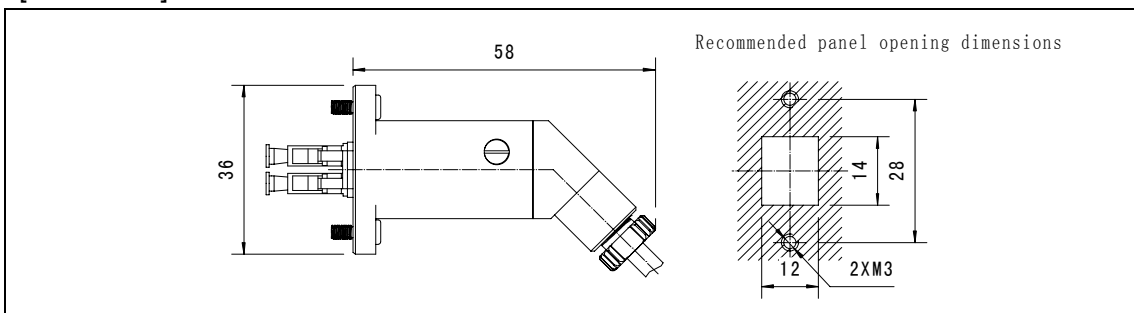
[RFNE06 (mate with RFNE06-A) ]



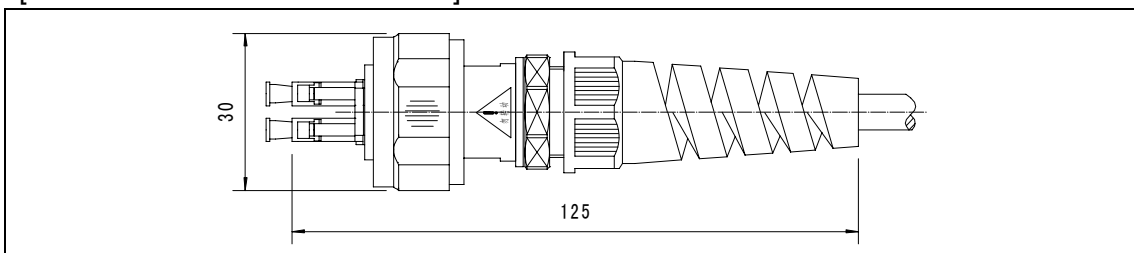
[RFNE06-A]



[RFNE08W]



[RFNE09 (mate with RFNE09-A) ]



[RFNE09-A]

