



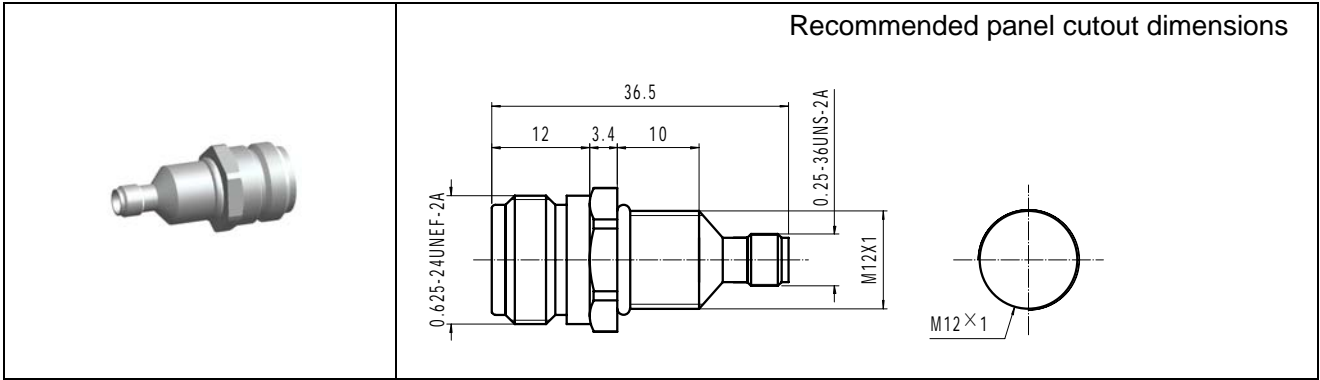




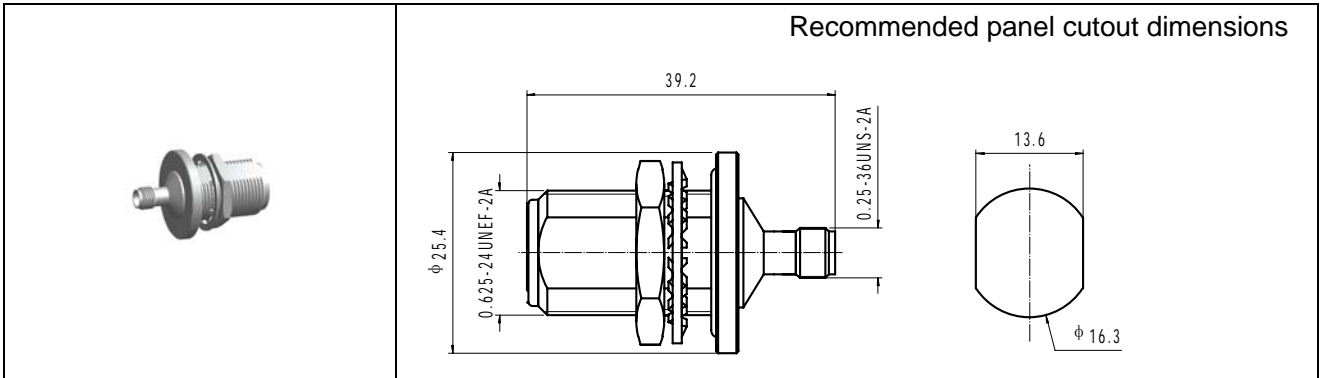




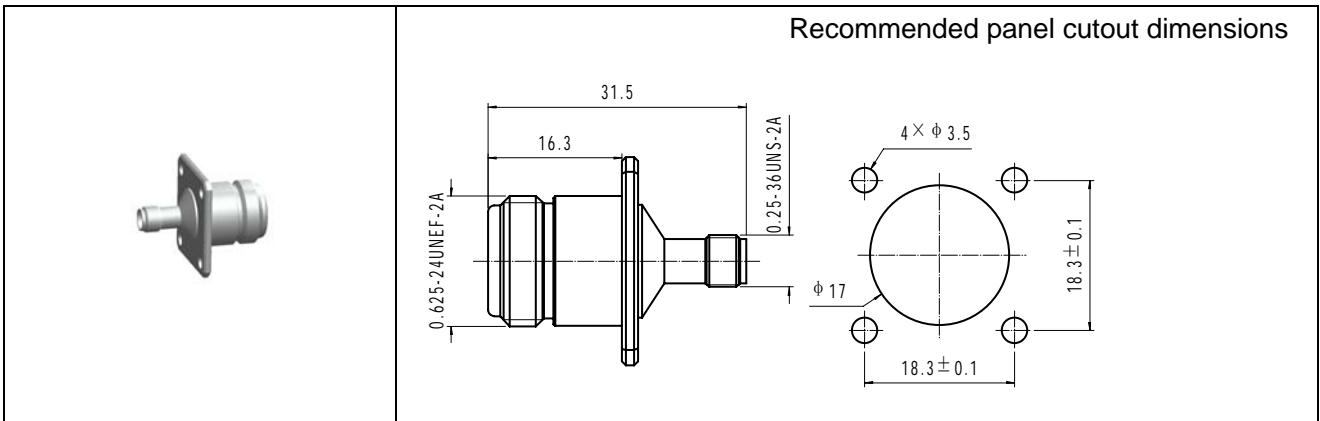
P/UOC(S)-KYK-1



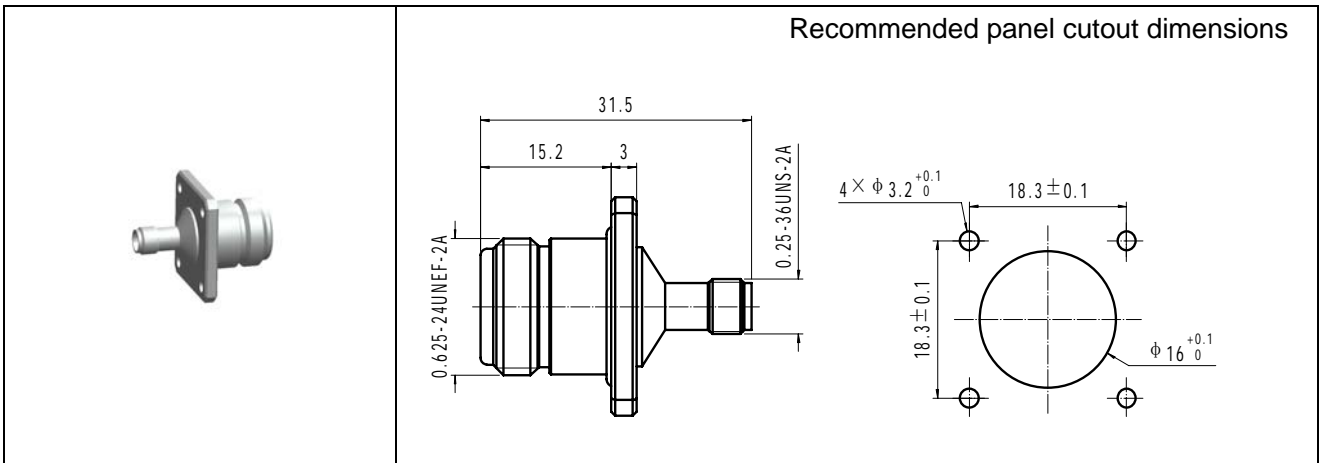
P/UOC(M)-KYK



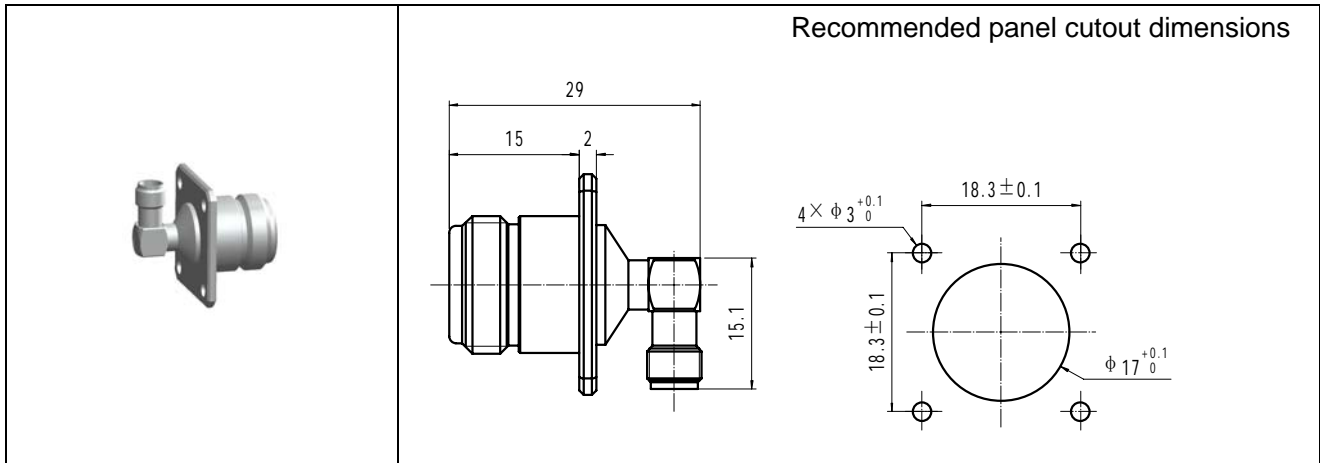
P/UOC-KFK



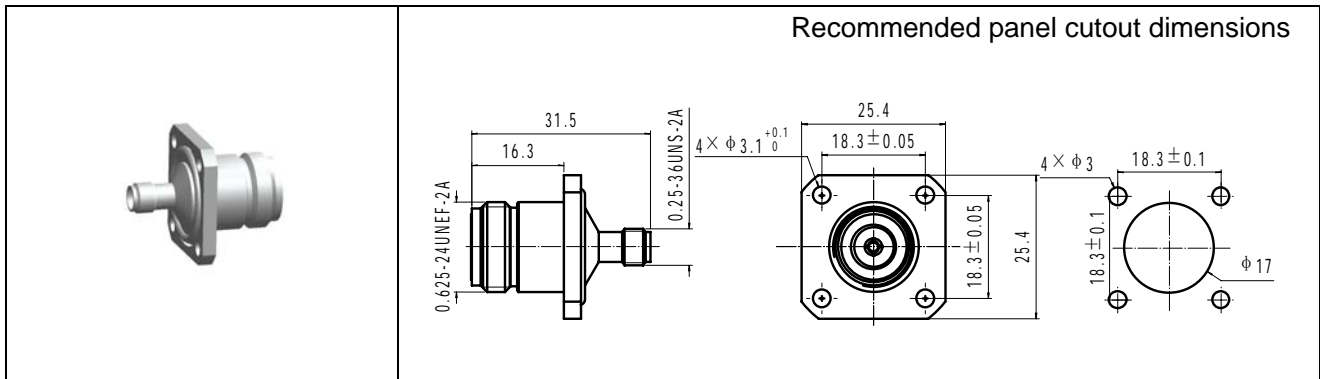
P/UOC-KFK-1



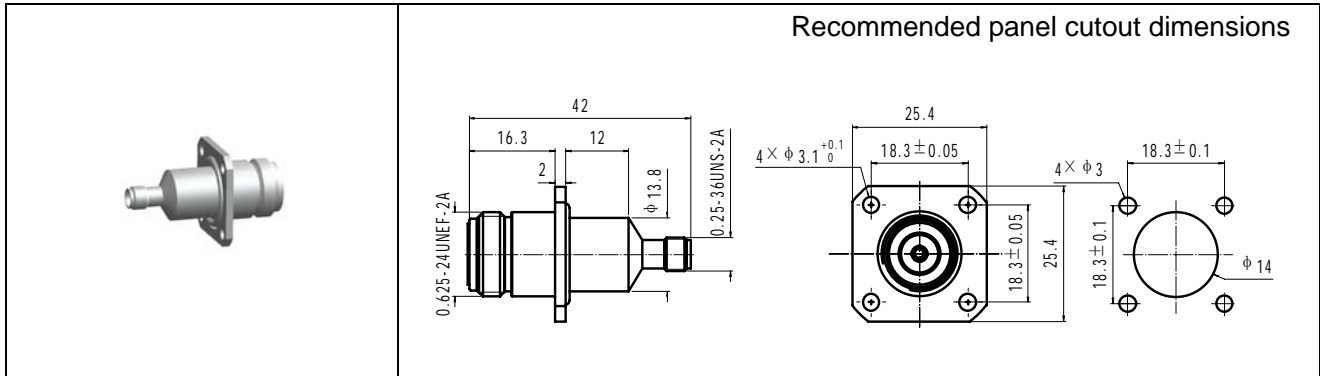
P/UOC-KFWK



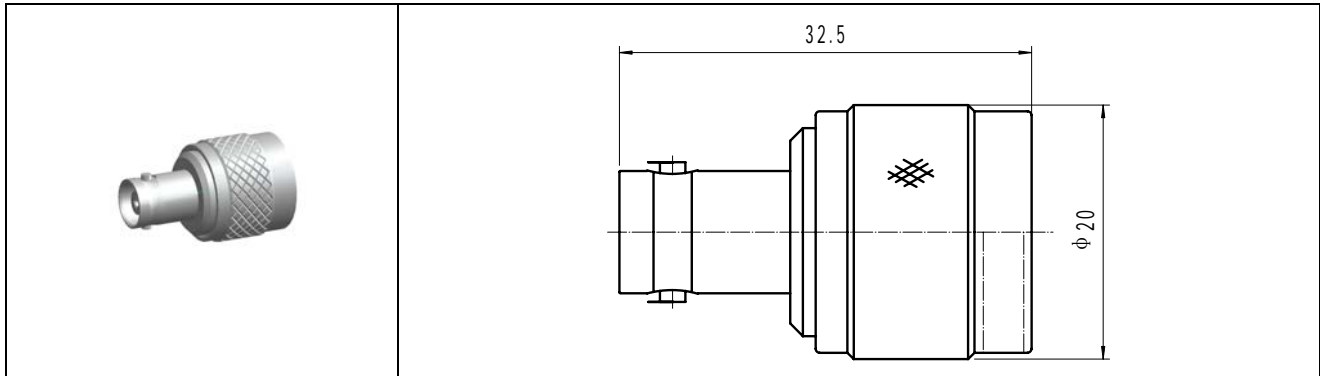
P/UOC(S)-KFK,P/UOC(S)-KFKG



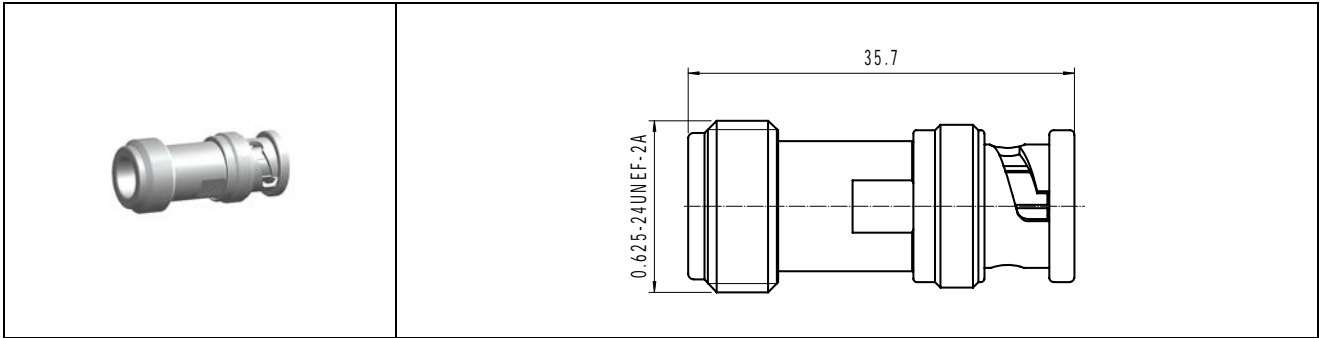
P/UOC(S)-KFK-1



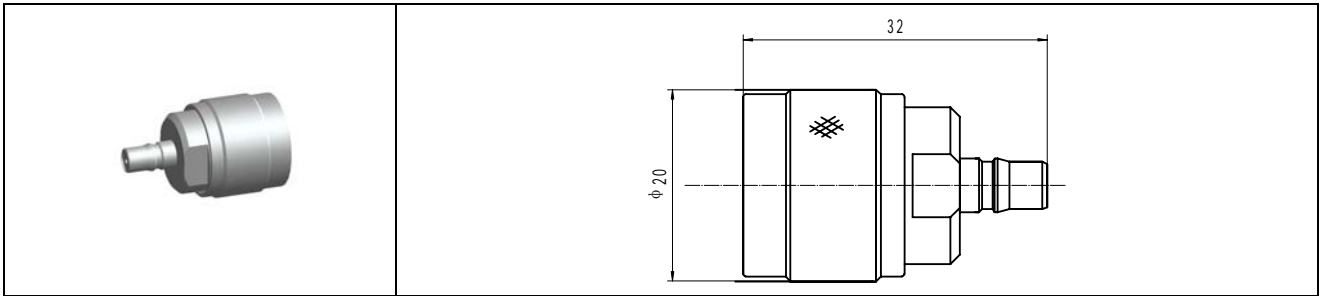
P/DOE-JK



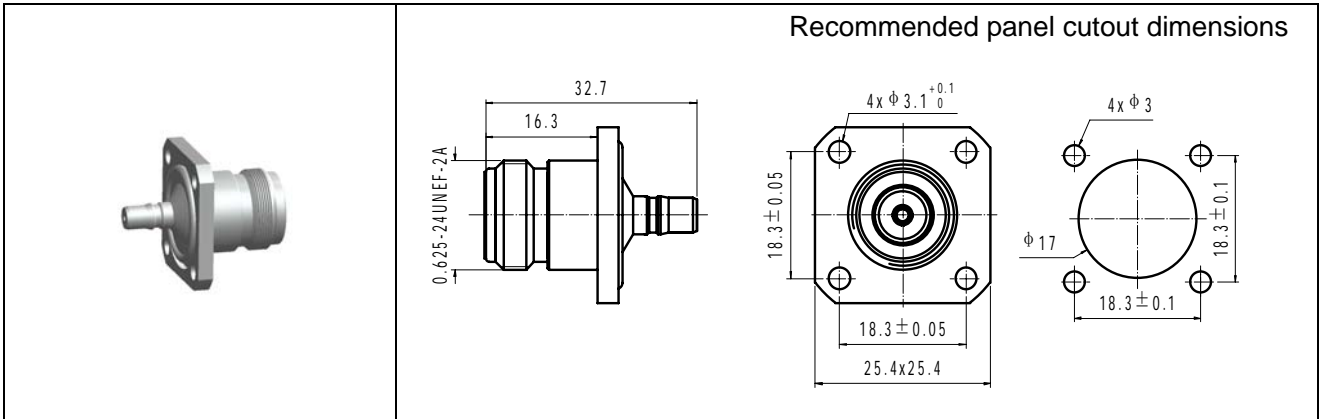
P/DOE-KJ



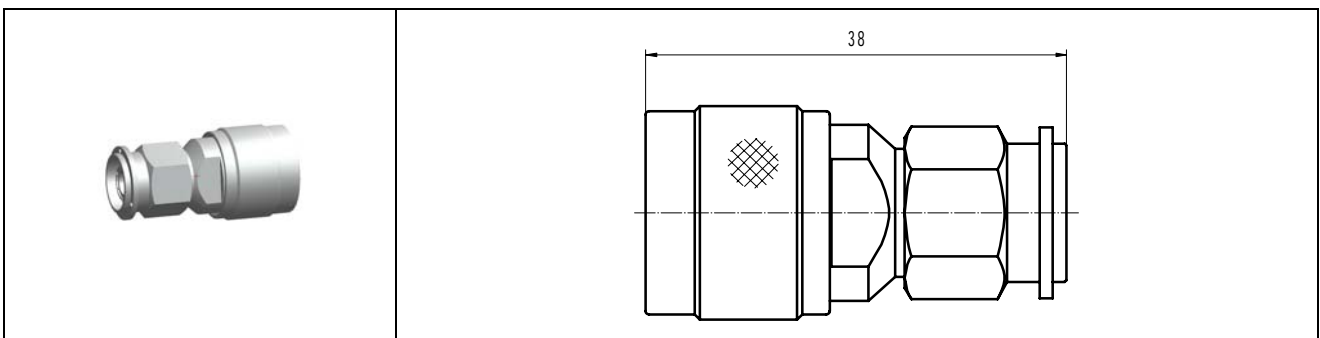
P/ESOC-JK



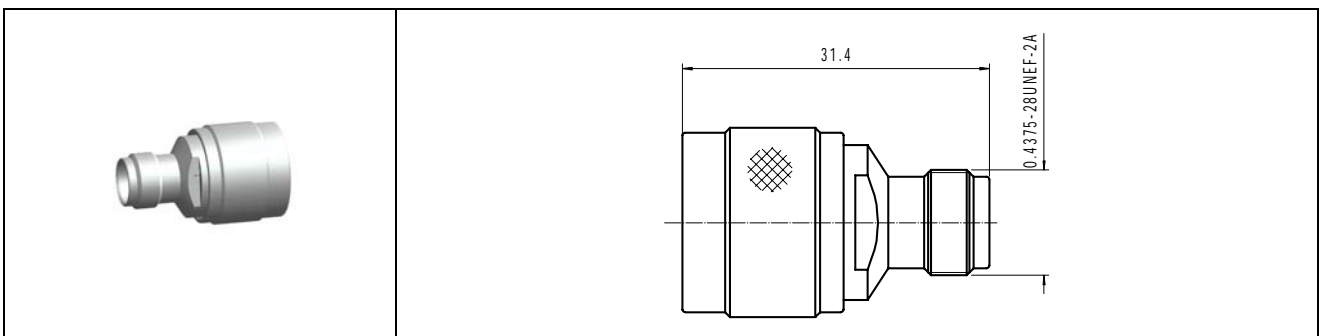
P/ESOC(S)-KFK



P/VPE-JJ

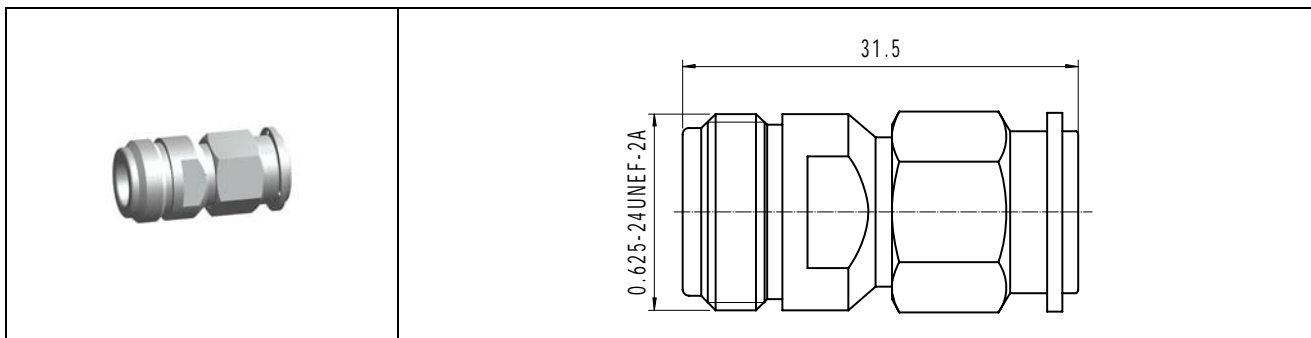


P/VPE-JK

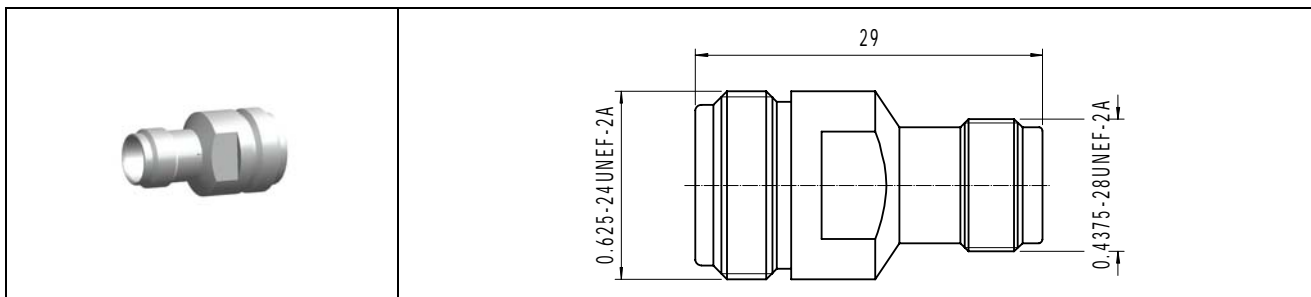




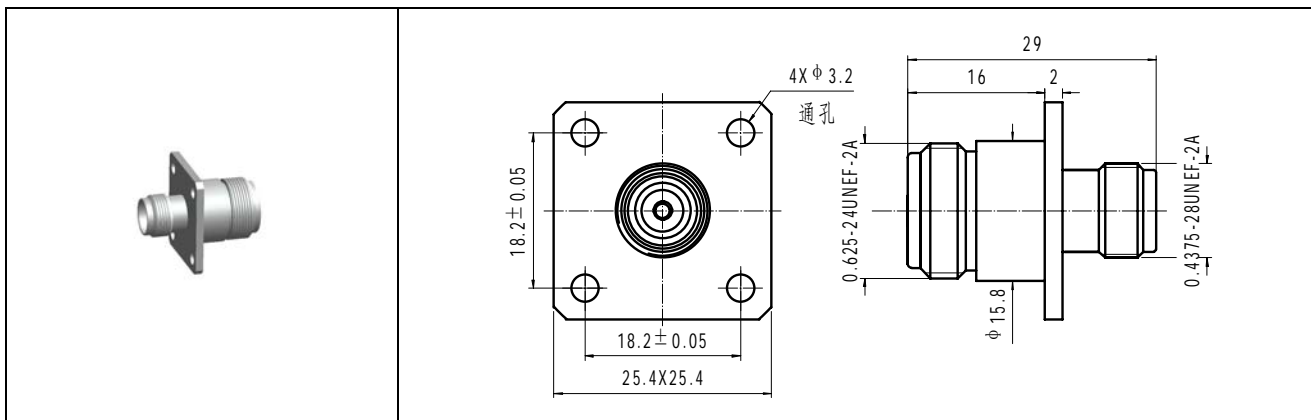
P/VPE-KJ



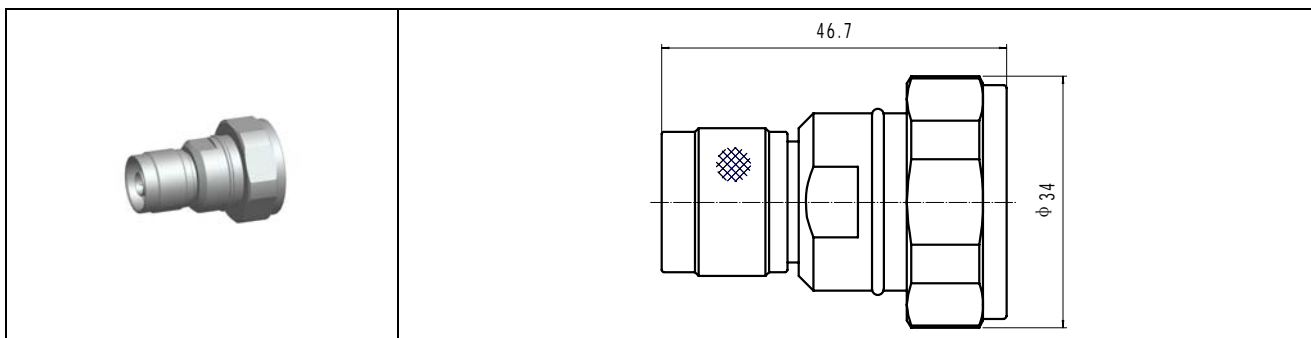
P/VPE-KK



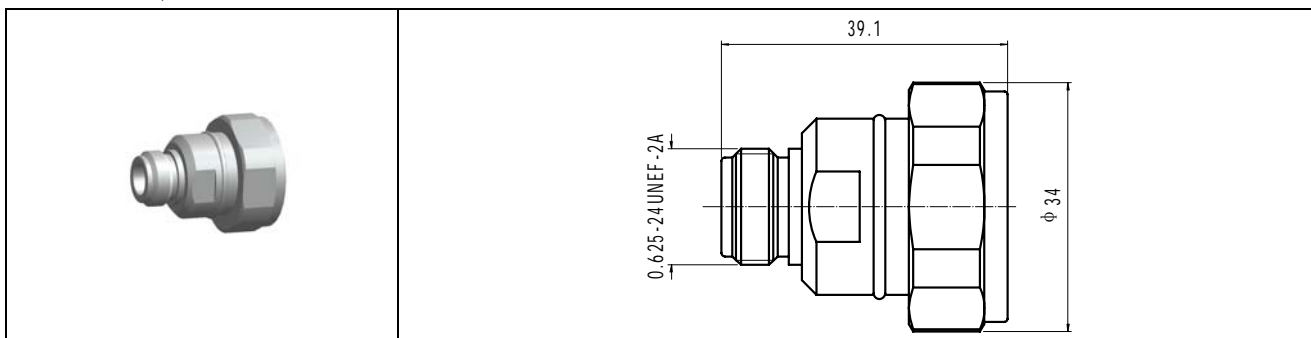
P/VPE-KFK



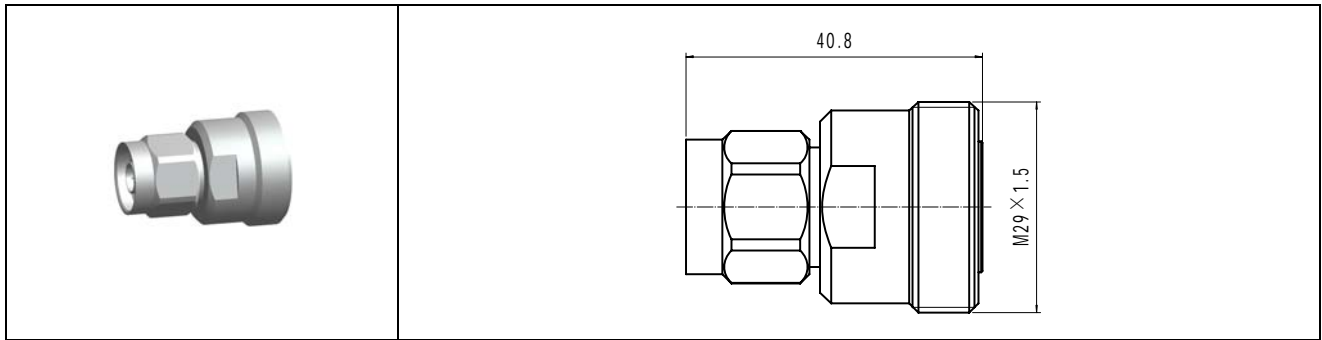
N41/P-50JJ



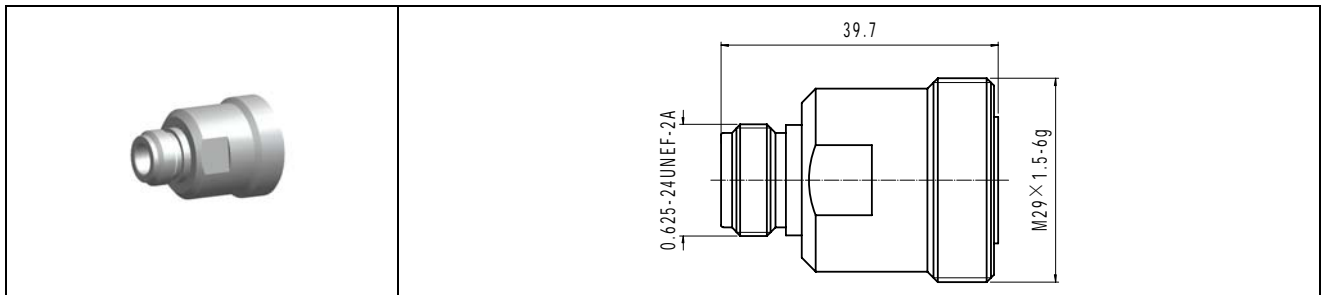
N41/P-50JK, N41/P-50JG



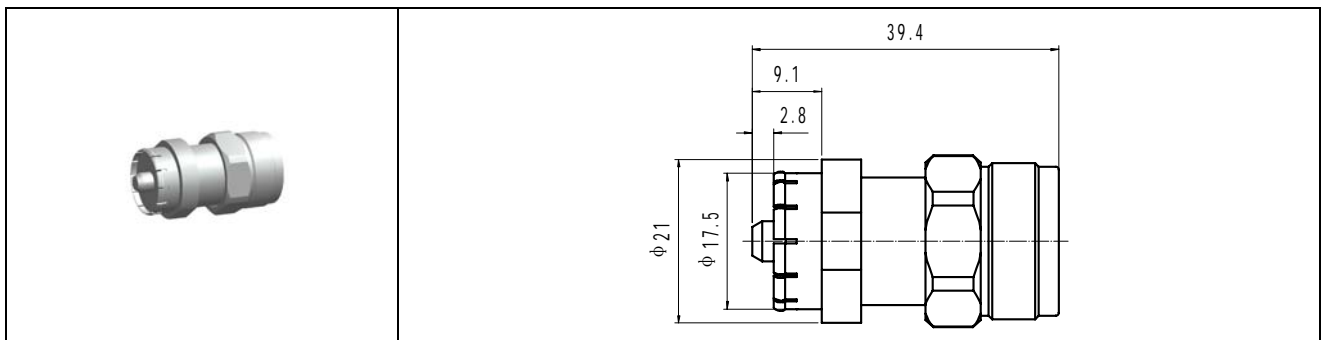
N41/P-KJ



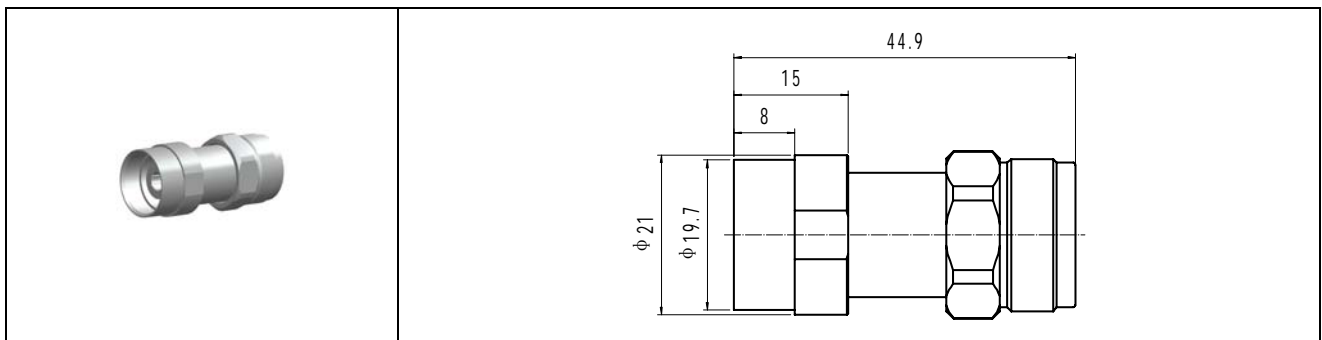
N41/P-50KK



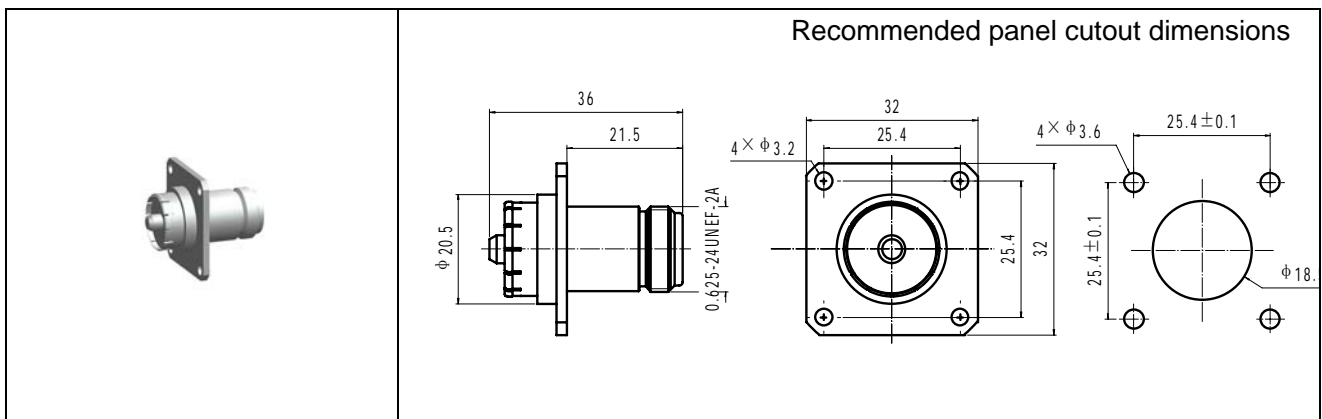
UDZ/P-JJ



UDZ/P-KJ



UDZ/P-JFK



UDZ/P-KFK

