

ORQ Series Optical Connector & Adapter

Product brief introduction

- Standard plastic body, good interchangeability
- Push-pull mechanism for quick connection and remove
- Axial locking devices for reliable connection
- Connect 12-core fiber simultaneously for high density installation
- Optical cable: ribbon optic fiber and ribbon optic cable
- Branch cable: $\varnothing 0.9$, $\varnothing 2$
- Standard: IEC61754-7, TIA/EIA-604-5-A

Applications

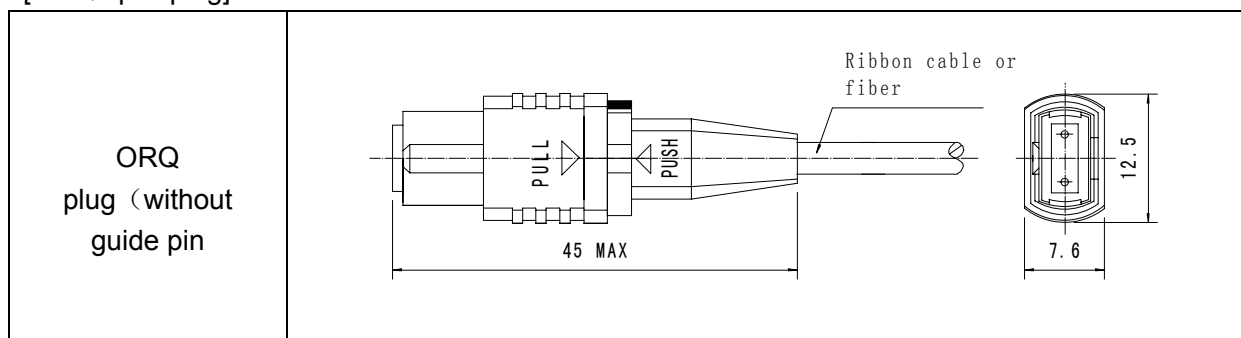
- Data and communication system
- Optical CATV, Video and Multimedia
- Parallel optical interconnect
- Optic-Electric module connection

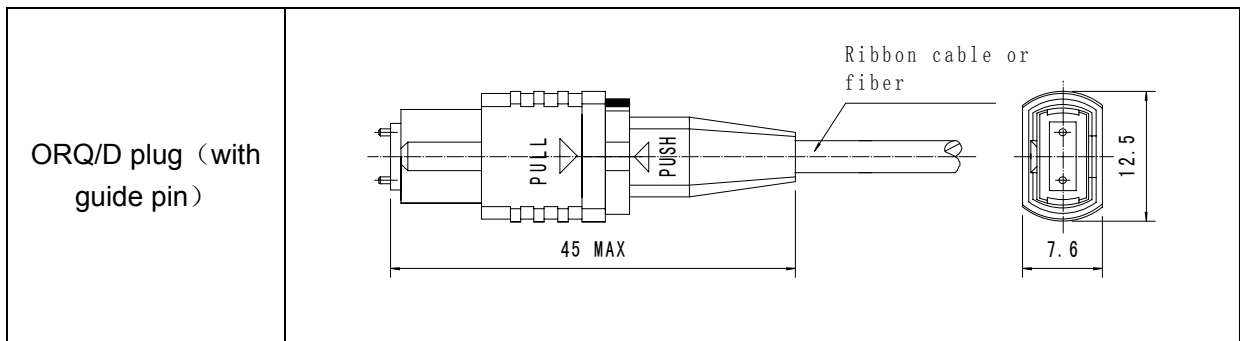
Performances

Parameters	SM	MM	Adapter
Insertion Loss (dB)	≤ 0.6 (typical) ≤ 1.0 (Max.)	≤ 0.4 (typical) ≤ 0.75 (Max.)	/
Return Loss (dB)	≥ 35	≥ 25	/
Repeatability (dB)	≤ 0.2		/
Durability (cycles)	≥ 500		≥ 500
Operating Temp. (°C)	$-25 \sim +70$		$-25 \sim +70$
Tensile strength (N)	≥ 50 (this is not required for ribbon fiber)		/

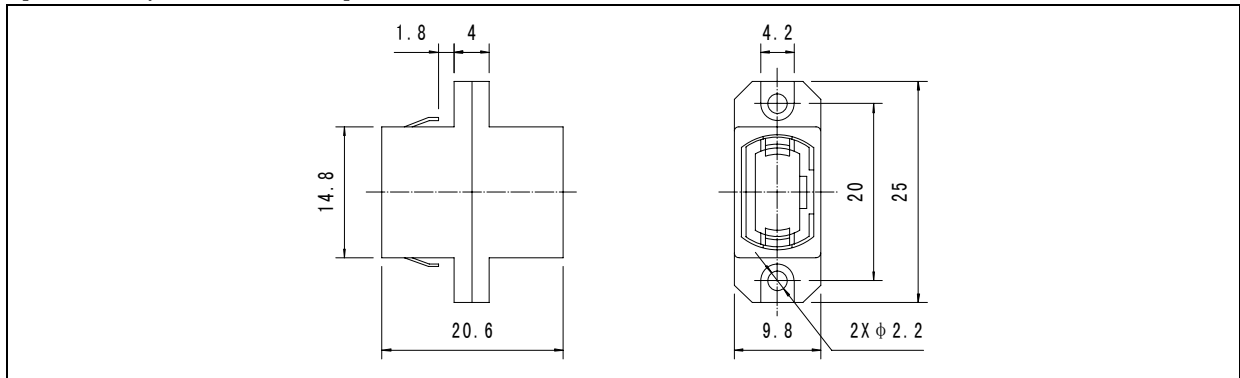
Outline dimensions

[ORQ optic plug]

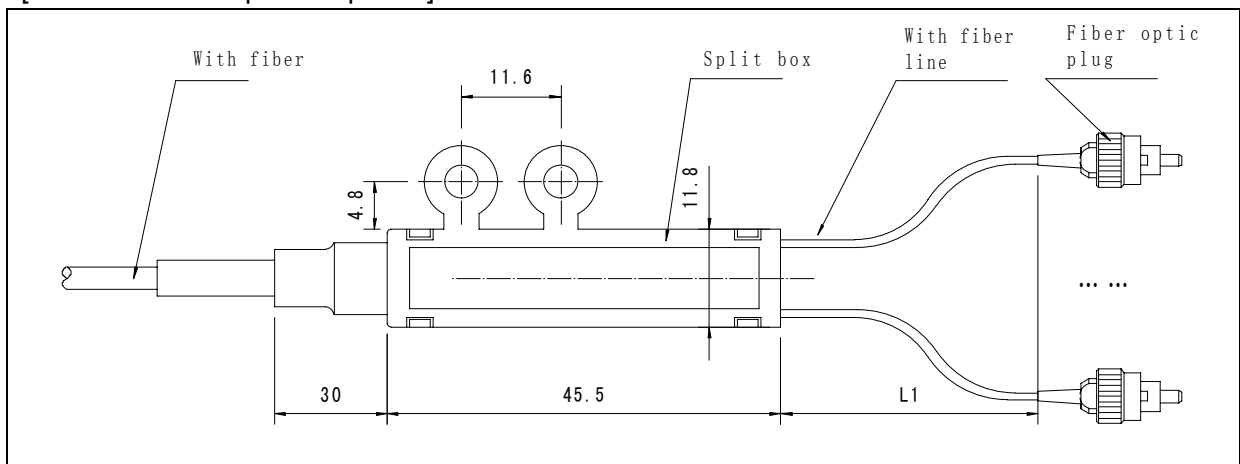




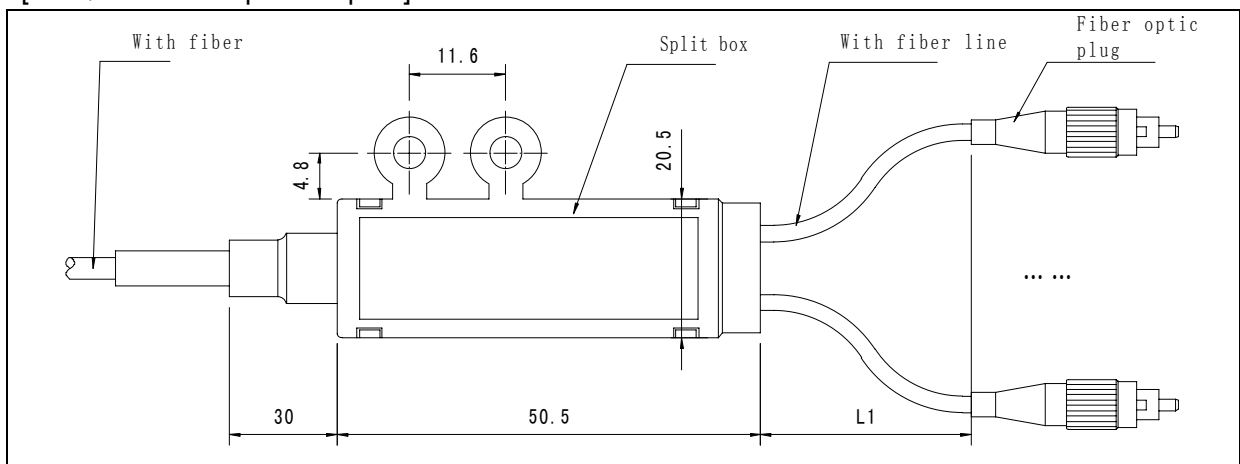
[ORQ adapter (ORQ-A)]



[ORQ connector splitter (φ0.9)]

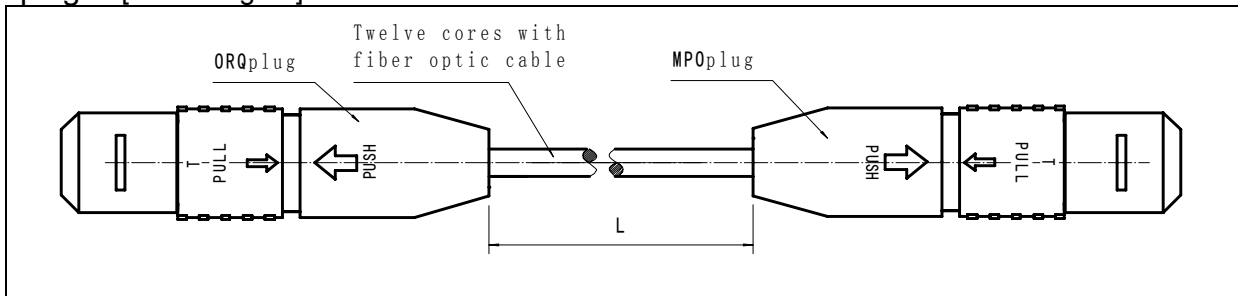


[ORQ connector splitter (φ2)]



Ribbon/ Bundle Cable Fan-out Connectors

Standard ORQ Optic cable connector (Both ends are ORQ or ORQ/D plug) [Outline figure]



Note: L is the cable length required by users.

Features: Both ends are ORQ or ORQ/D plug. Cable is 12-core ribbon cable.

[Designation]

Basic series	TE	-ORQ	-ORQ	-M	5
Plug at end 1	ORQ — without guide pin ORQ/D — with guide pin				
Plug at end 2	ORQ — without guide pin ORQ/D — with guide pin				
Transmission mode	S — SM9/125 M — MM62.5/125 MI — MM50/125 MIV — MM50/125 (OM3)				
Optic cable length	Number (Unit m)				

[P/N example]

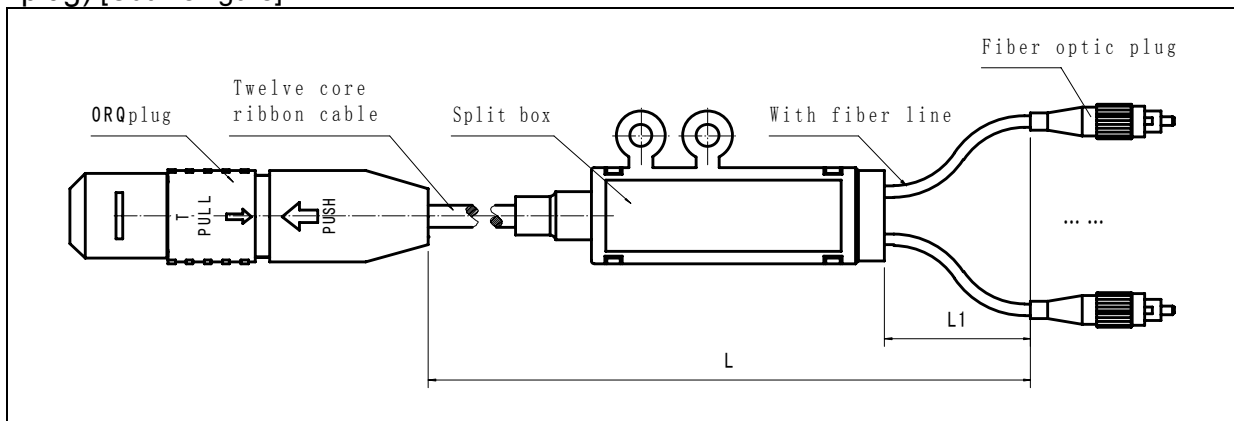
Example 1: TE-ORQ-M2

Explanation: Both ends are ORQ plugs. Use MM62.5/125 cable for connection. Optic cable length is 2m.

Example 2: TE-ORQ/D-ORQ-S1

Explanation: End 1 is ORQ/D plug and the other end is ORQ plug, use SM9/125 cable for connection. Optic cable length is 1m.

Standard ORQ Optic cable connector (End 1 is ORQ or ORQ/D plug, End 2 is a plug) [Outline figure]



Note: L and L1 are the cable length/Branch cable length required by users.

Features: End 1 of cable is ORQ plug and end 2 is optical plug. Cable is 12-core ribbon cable.

[Designation]

Basic series	TE	-ORQ	-12	LC	-2	S	5	/0.3
Plug at end 1	ORQ without guide pin ORQ/D – with guide pin							
Amount of plug at end 2								
Type of plug at end 2	LC, ST, FC, SC, DIN. or provide per user's requirement							
Branch cable diameter	2 – \varnothing 2mm 0.9 – \varnothing 0.9mm							
Transmission mode	S – SM9/125 M – MM62.5/125 MI – MM50/125 MIV – MM50/125 (OM3)							
Optic cable length	Unit: m							
Branch cable length	Unit: m							

[P/N example]

Example 1: TE-ORQ-12LC-2S2/0.5

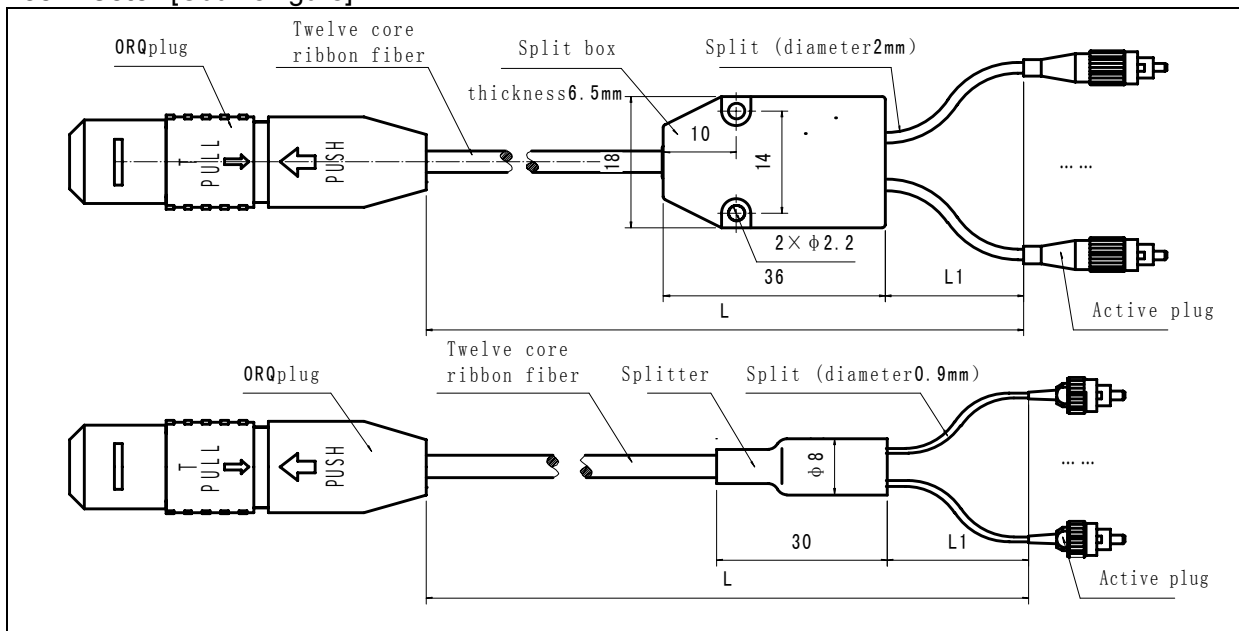
Explanation: End 1 is ORQ plug and end 2 is 12 LC plugs. SM 12-core ribbon cable. Optic cable length 2m, Branch cable length 0.5m, Branch cable diameter \varnothing 2mm.

Example 2: TE-ORQ-12FC-0.9M1/0.3

Explanation: End 1 is ORQ plug and end 2 is 12 FC plugs. MM62.5/125 12-core ribbon cable. Optic cable length 1m, Branch cable length 0.3m, Branch cable diameter \varnothing 0.9mm.

ORQG (Not fully loaded) Optic cable

connector [Outline figure]



Note: L and L1 are the cable length/Branch cable length required by users.

Features: End 1 of cable is ORQ plug (generally not fully loaded) and end 2 is optical plug. Cable is 12-core ribbon cable. When ORQ plug is not fully loaded, keep the cores near two sides and cut off the cores in the center. See the P/N example.

[Designation]

		TE	-ORQG	-6	FC	-2	S	1	/0.3
Basic series	TE-ribbon cable TH- ribbon fiber								
Plug at end 1	ORQ – without guide pin ORQ/D – with guide pin								
Amount of plug at end 2	1 to 12 (generally even numbers)								
Plug type at end 2	LC/ST/FC/SC/DIN, or provide per user's requirement								
Branch cable diameter	2 – ϕ 2mm 0.9 – ϕ 0.9mm								
Transmission mode	S – SM9/125 M – MM62.5/125 MI – MM50/125 MIV – MM50/125 (OM3)								
Optic cable length	Unit: m								
Branch cable length	Unit: m								

[P/N example]

Example 1: TE-ORQG -6LC-2S2/0.5

Explanation: End 1 is ORQG plug and end 2 has 6 LC plugs. Use SM9/125 cable for connection.

Optic cable length is 2m, Branch cable length is 0.5m, Branch cable diameter \varnothing 2mm. Plug at splitter end corresponds to the number 1, 2, 3, 10, 11 and 12 core in ORQ plug. Other cores are cut off.

Example 2: TH-ORQG -4FC-0.9M1/0.3

Explanation: End 1 is ORQG plug and end 2 has 4 LC plugs. Use MM62.5/125 fiber for connection. Optic cable length is 1m, Branch cable length is 0.3m, Branch cable diameter \varnothing 0.9mm. Plug at splitter end corresponds to the number 1, 2, 11 and 12 core in ORQ plug. Other cores are cut off.