
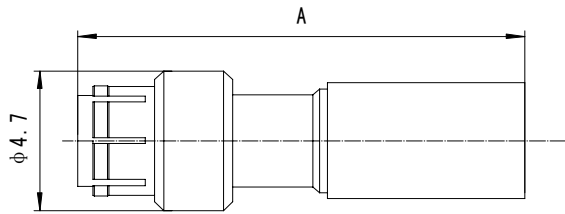

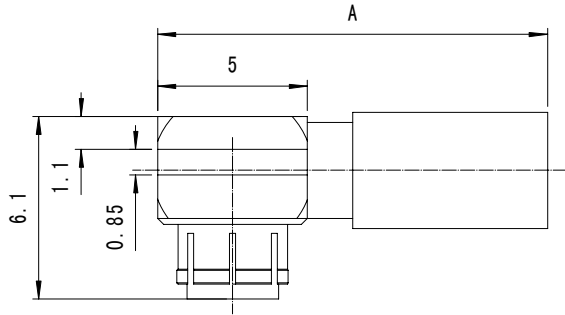


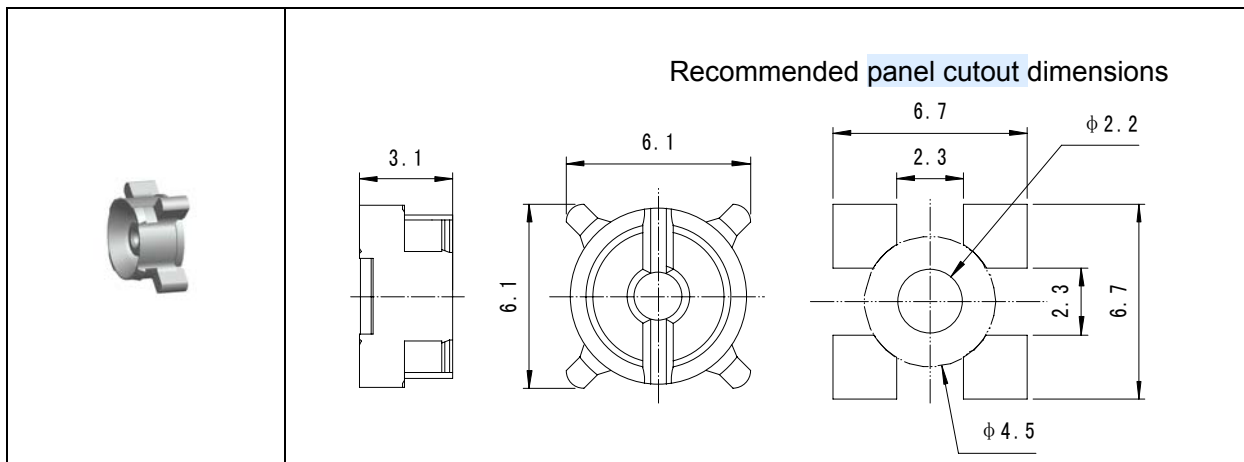
Terminated with flexible cable **OODZ-J2**

		Part No.	A	Applicable Cable
		OODZ-J2	14.3	SFF-50-1
		OODZ-J3	14.5	SFF-50-1.5-1
		OODZ-J3a	14.5	SFF-50-1.5-2

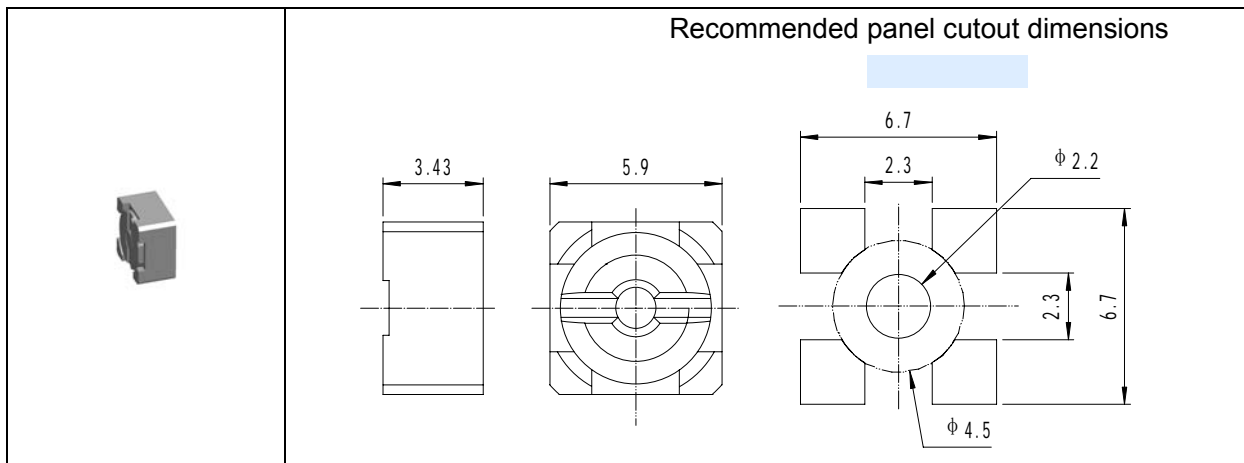
OODZ-JW2

		Part No.	A	Applicable Cable
		OODZ-JW2	12	SFF-50-1
		OODZ-JW3	13	SFF-50-1.5-1
		OODZ-JW3a	13	SFF-50-1.5-2

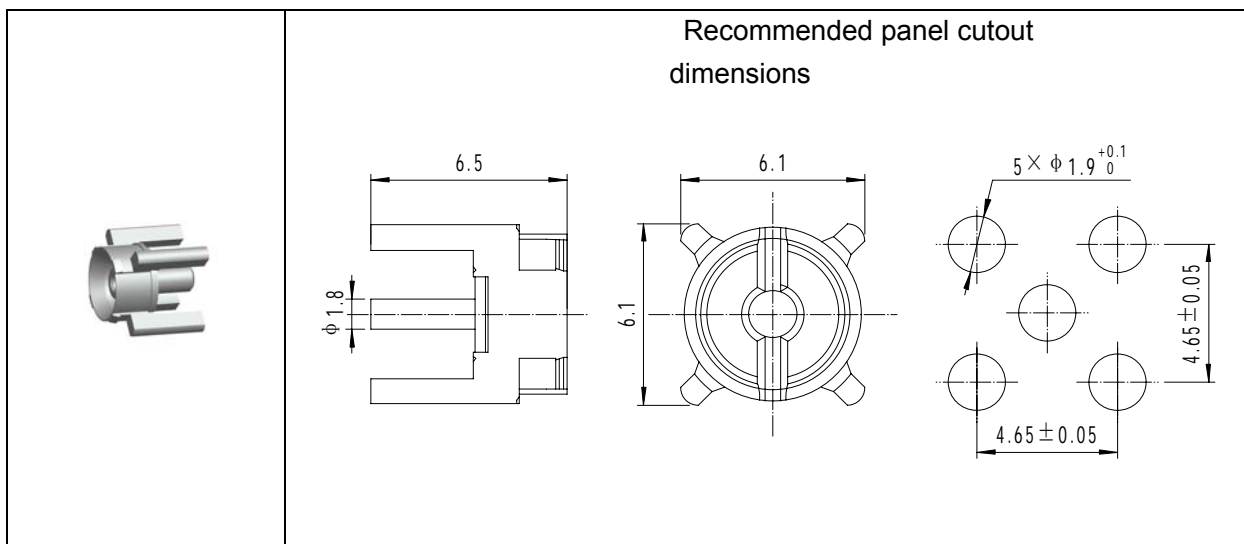
Terminated with PCB and microstrip **OODZ-KHD**



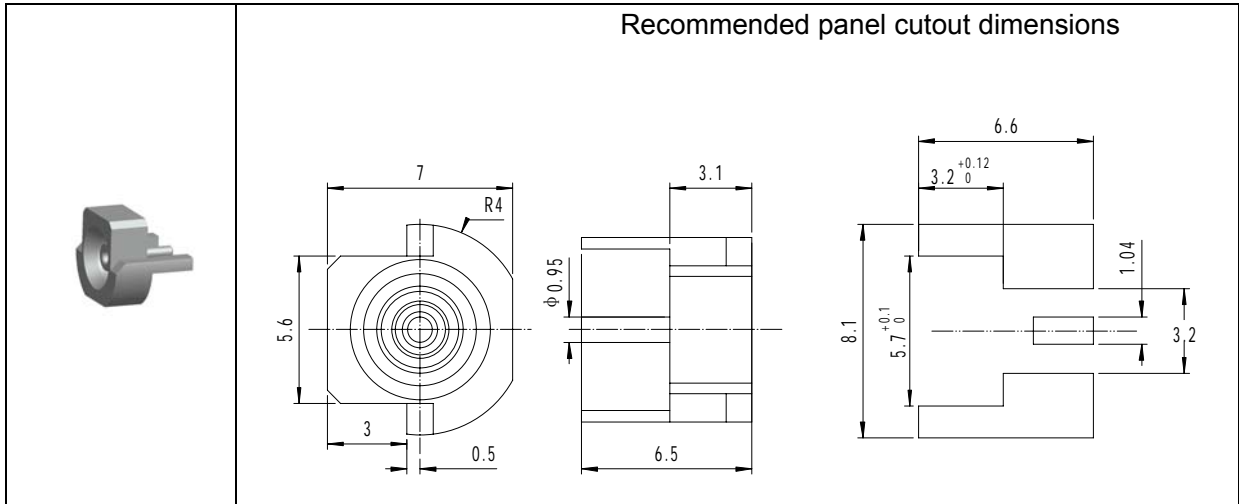
OODZ-KHD1



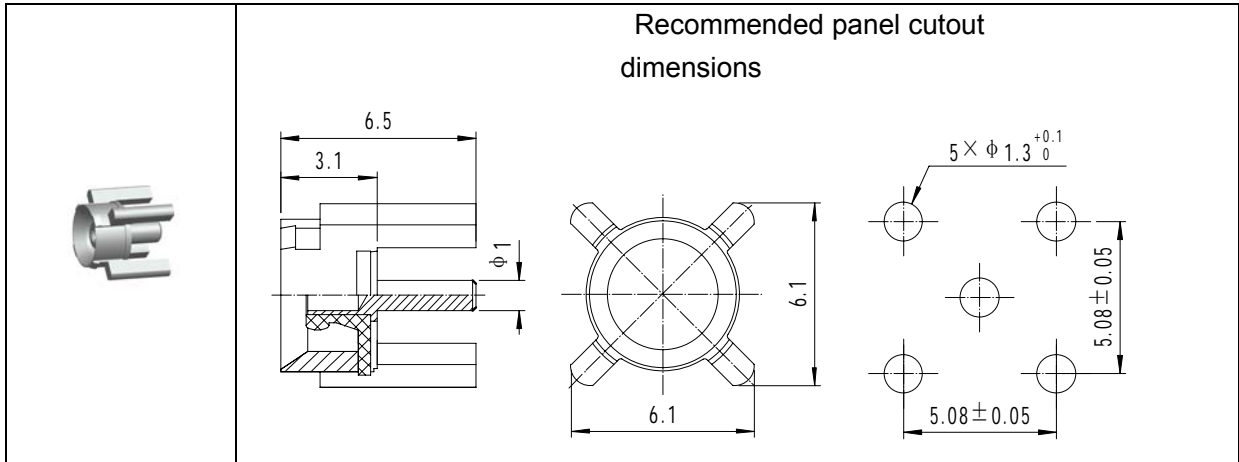
OODZ-KHD2



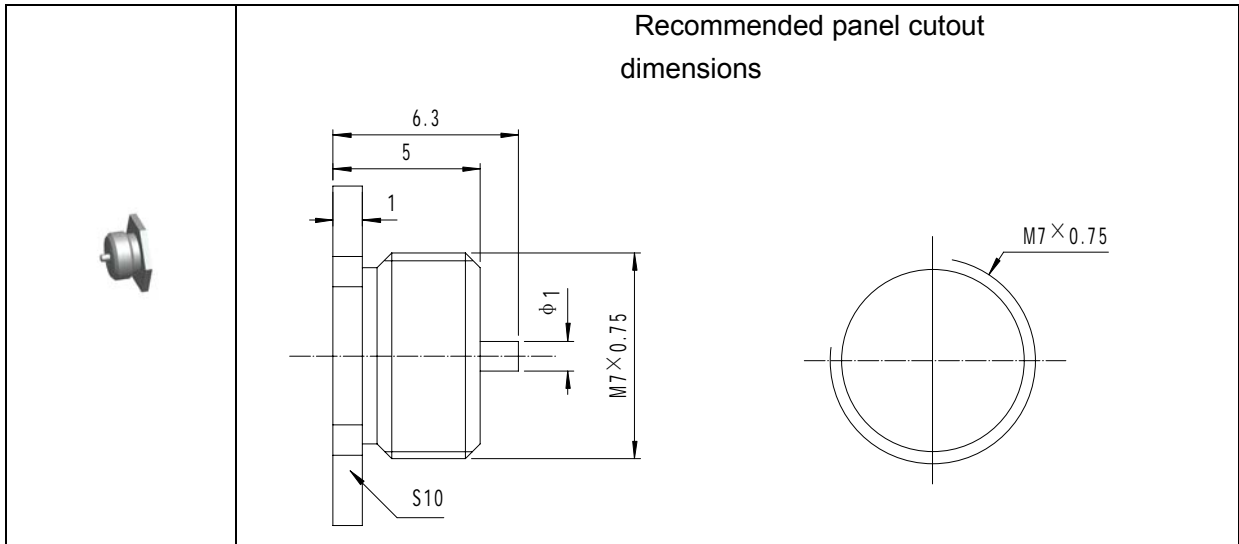
OODZ-KHD3




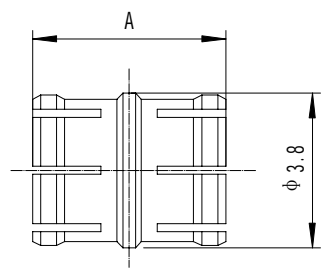
OODZ-KHD4

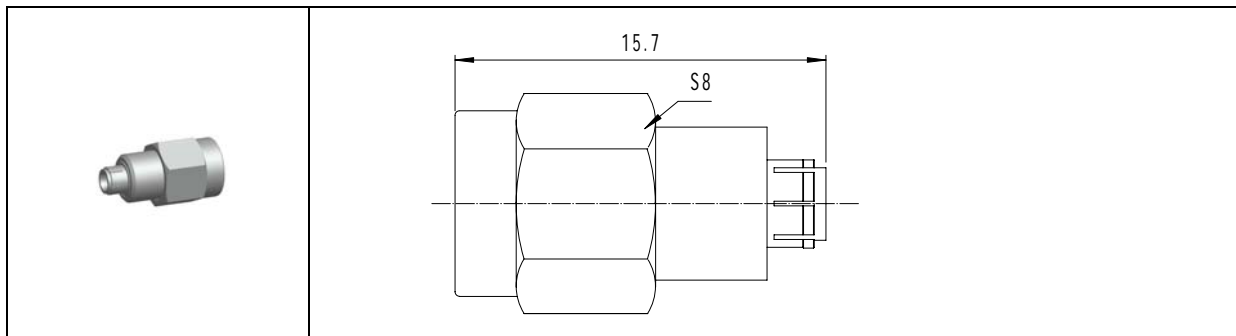
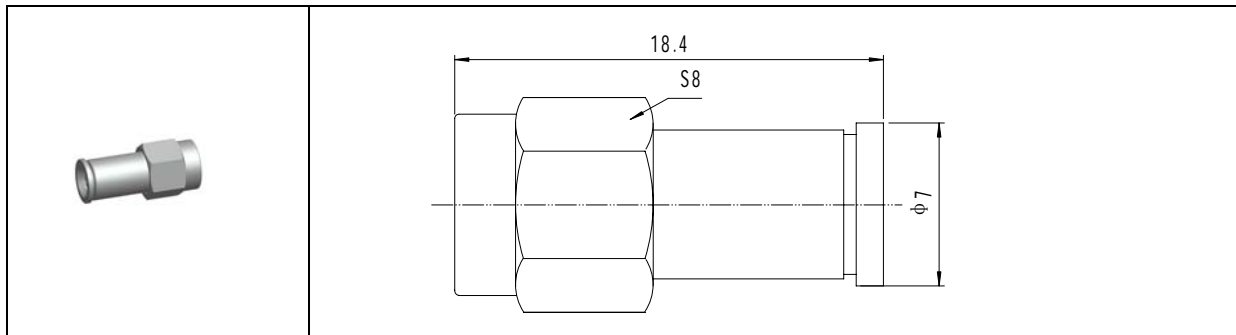
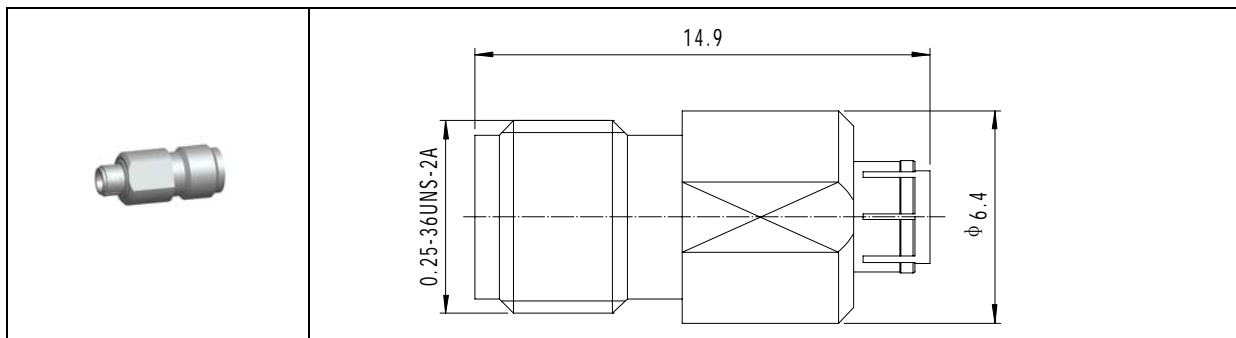


OODZ-KD

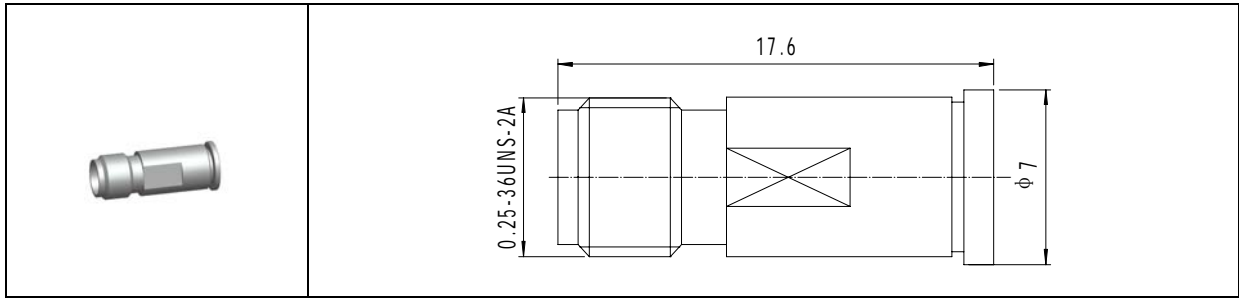


Adapters within series and between various series OODZ-JJ

		Part No.	A
		OODZ-JJ	4.8
		OODZ-JJ-1	9.7

UOC/OODZ-JJ

UOC/OODZ-JK

UOC/OODZ-KJ


UOC/OODZ-KK



UOC/OODZ-JYJ

