

	Pin	
	Min	Max
a	$\phi$ 0.48	$\phi$ 0.53
b	$\phi$ 2.00	$\phi$ 2.07
c	$\phi$ 3.66	$\phi$ 3.76
d	0.00	0.30
e	2.81	3.20
f	4.15	—
g	2.81	3.20

	Jacks	
	Min	Max
A	$\phi$ 1.80	$\phi$ 1.97
B	$\phi$ 3.43	$\phi$ 3.48
C	$\phi$ 3.61	$\phi$ 3.75
D	2.31	2.79
E	2.61	2.79
F	4.00	4.12
G	0.75	0.85

Name		Material & Plating	Name		Material & Plating
Outer conductor		Brass with nickel plating	Sealing members		Silicone Rubber
Central conductor	Pin	Brass with gold plating	Crimping sleeve		Copper alloy with nickel plating or gold plating
	Socket	Tin bronze with gold plating	Heat shrink tube		Plastic
Insulator		Teflon	Flexible parts		Beryllium bronze with gold plating





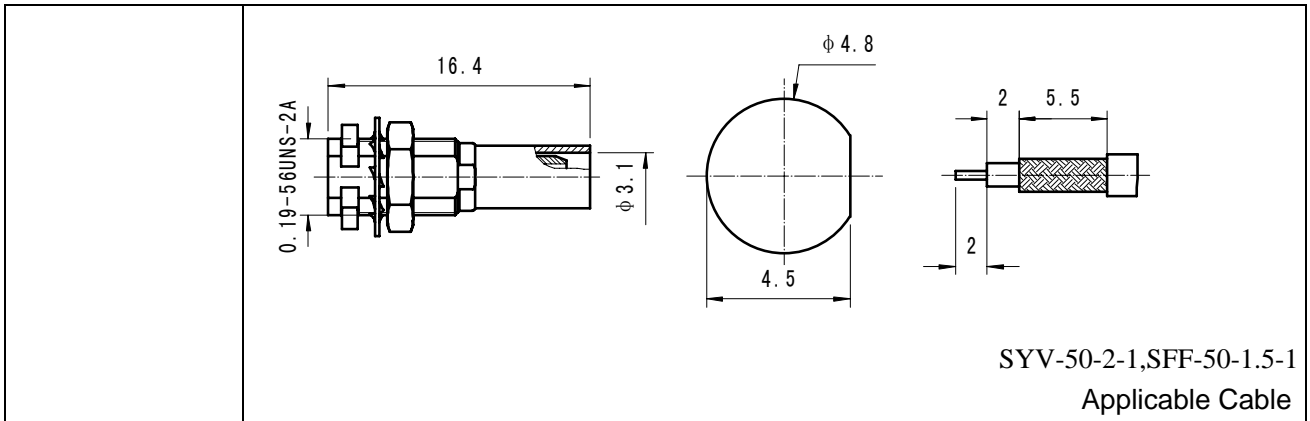




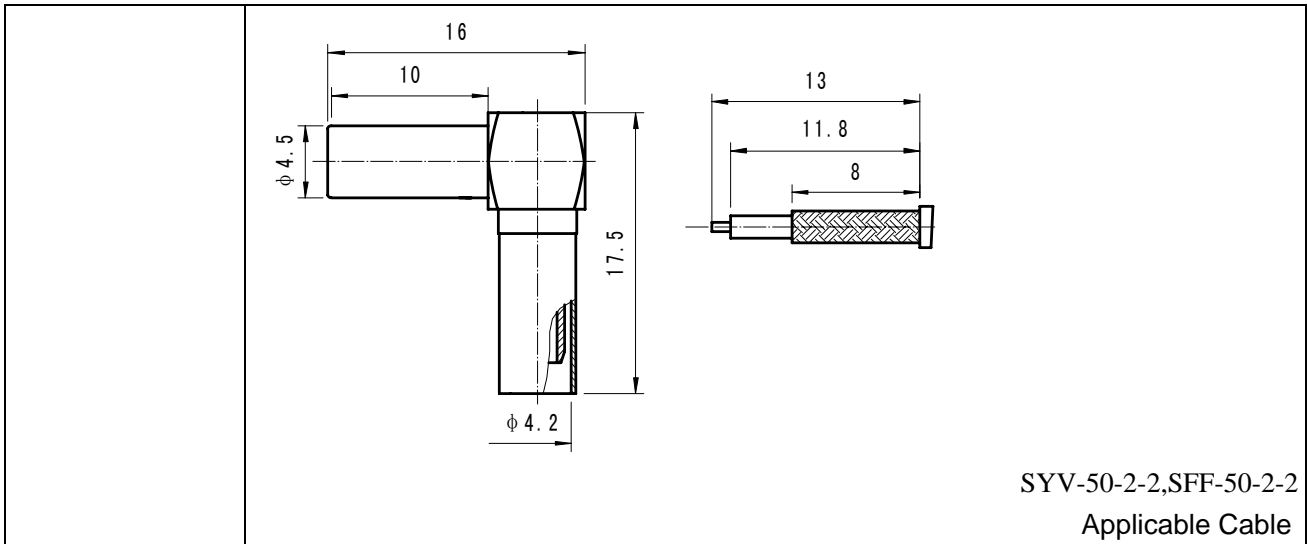




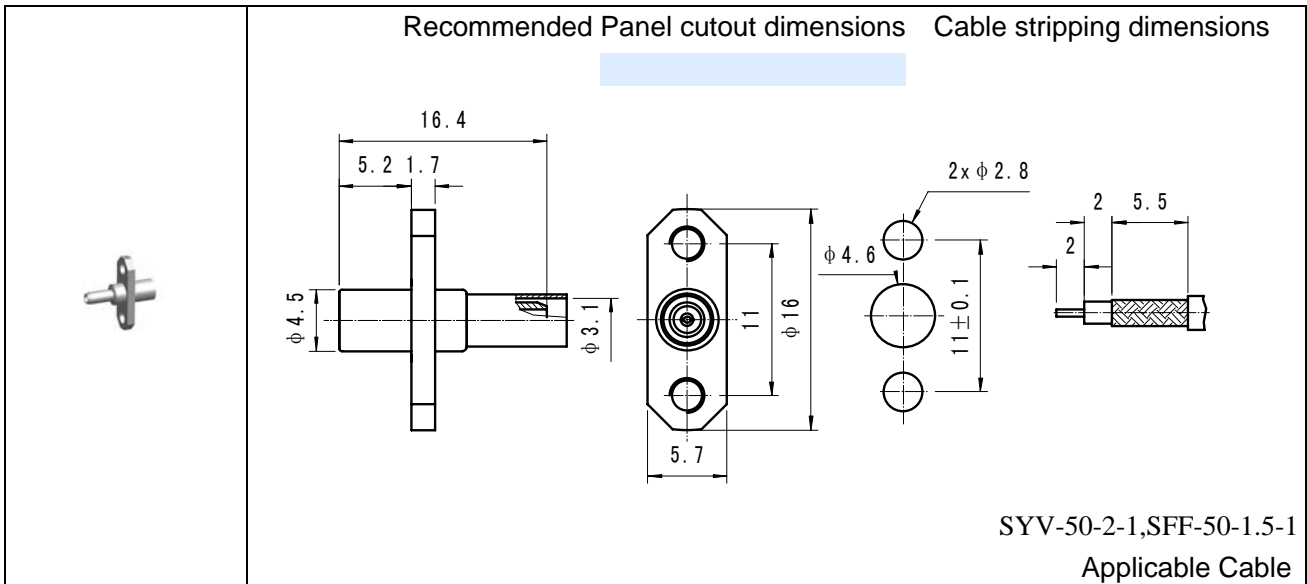




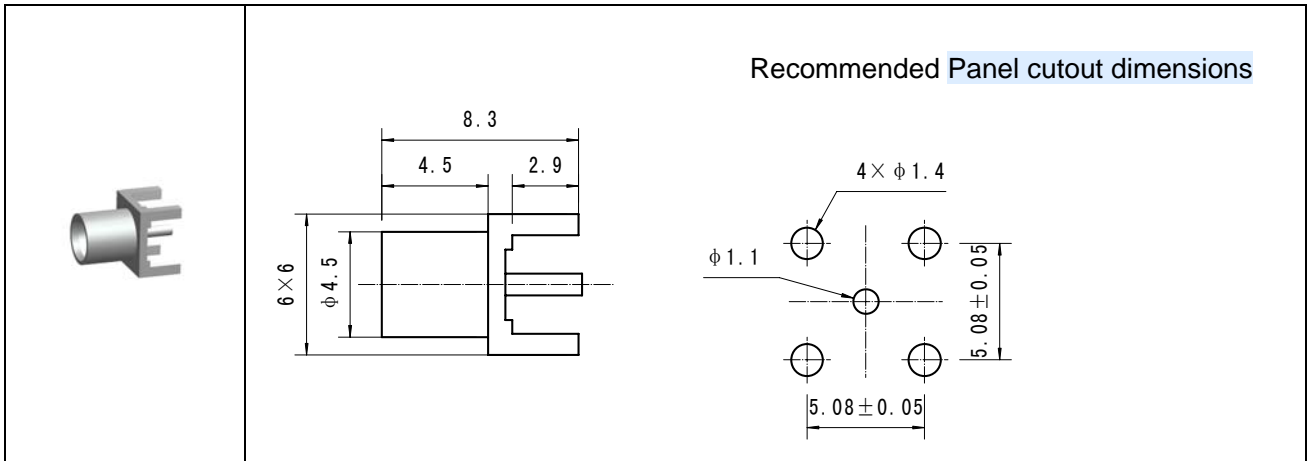




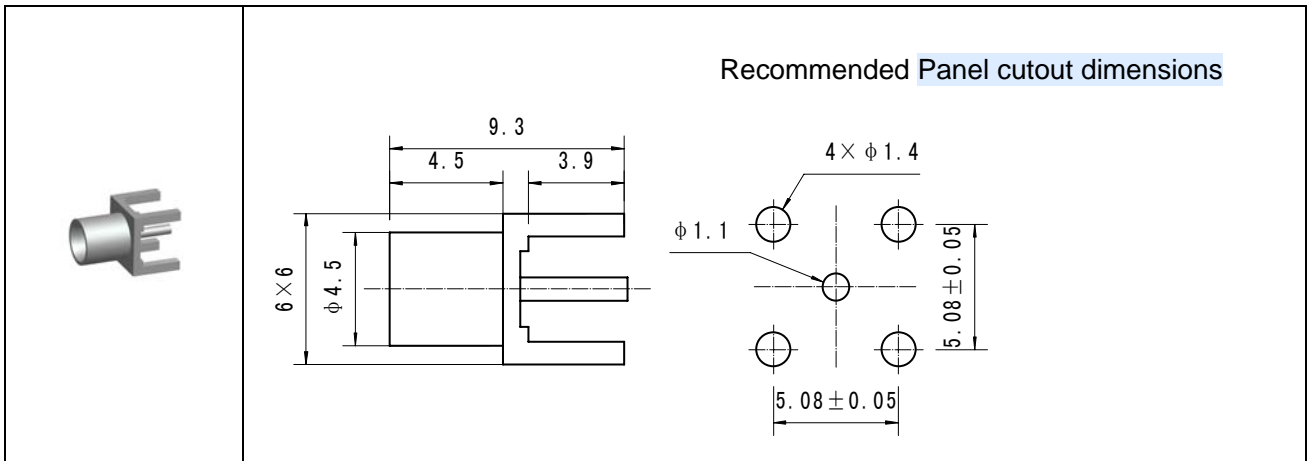
**MCX-SF3Y**



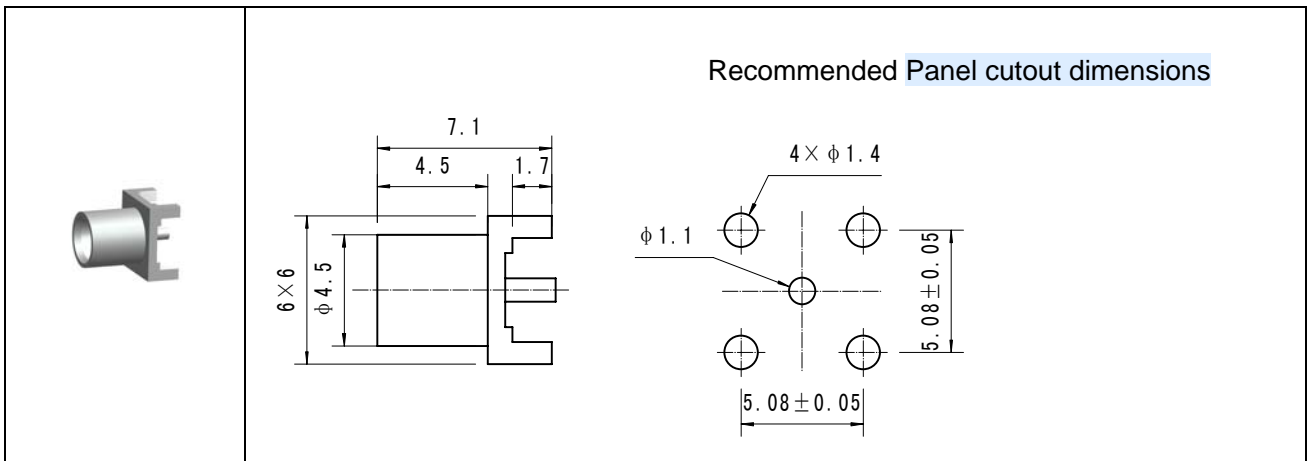
Receptacle terminated with PCB and microstrip **MCX-SHD**



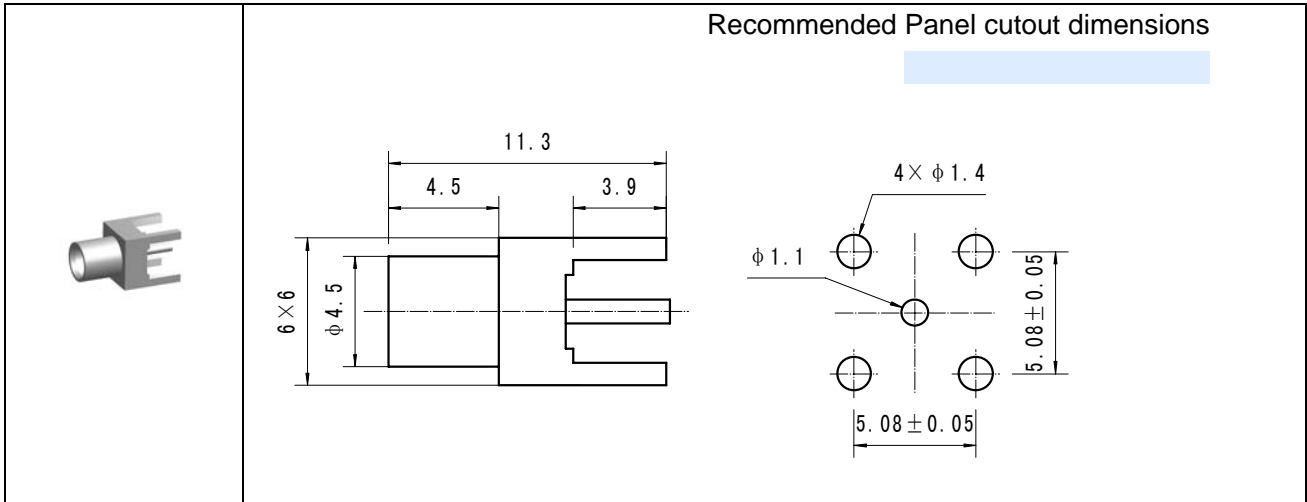
**MCX-SHD1**



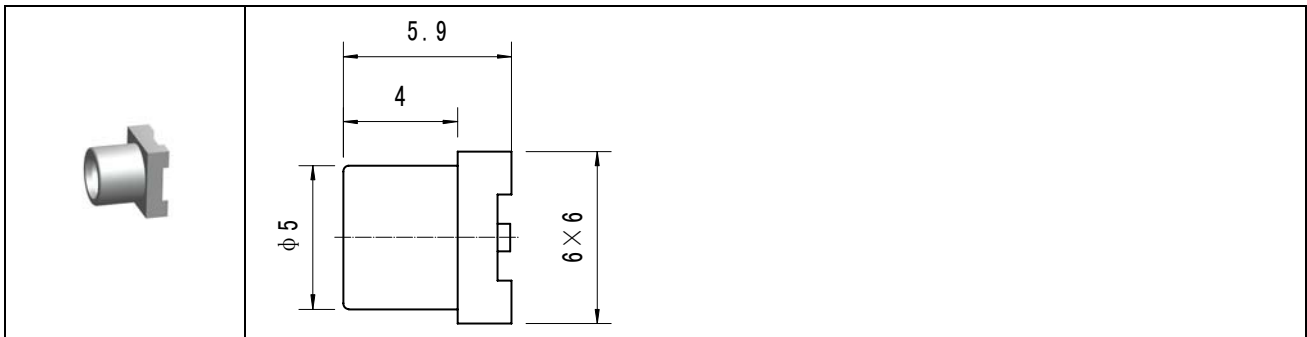
**MCX-SHD2**



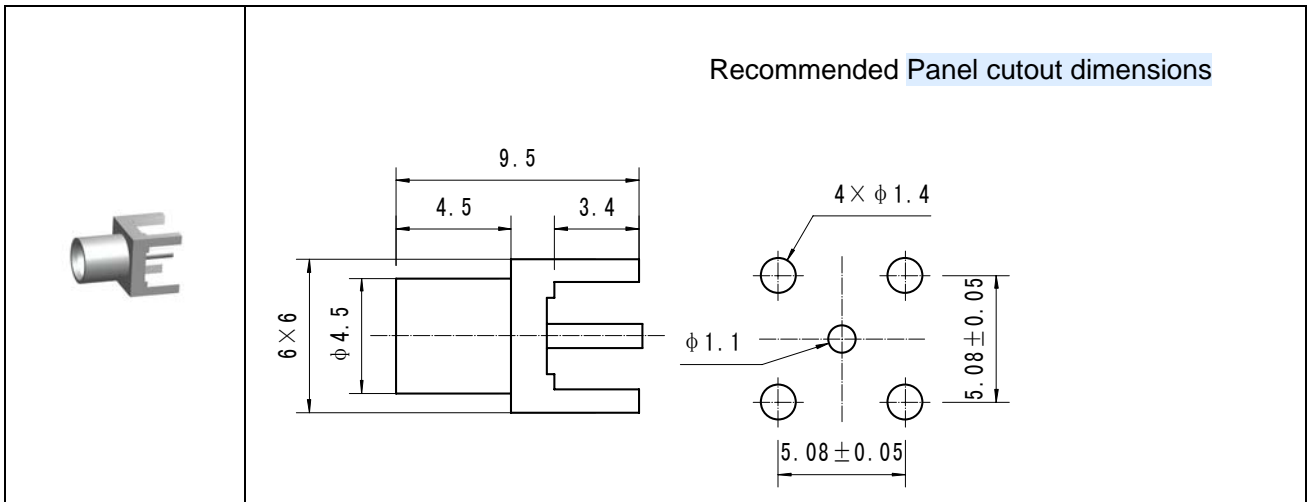
**MCX-SHD3**



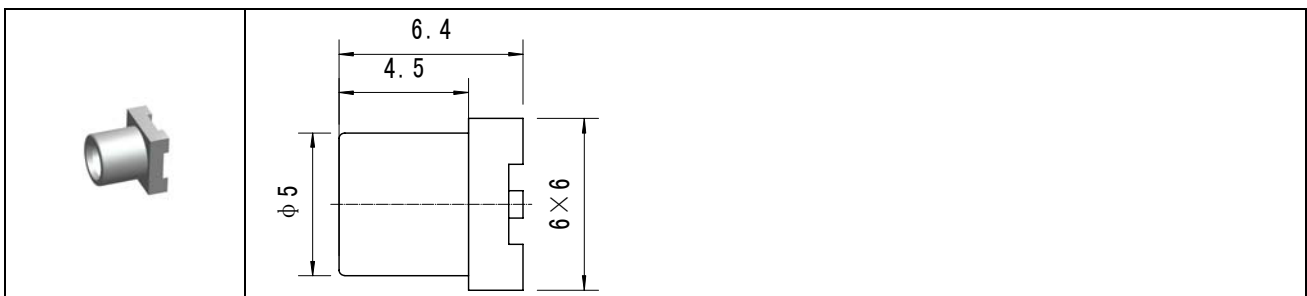
**MCX-SHD4**



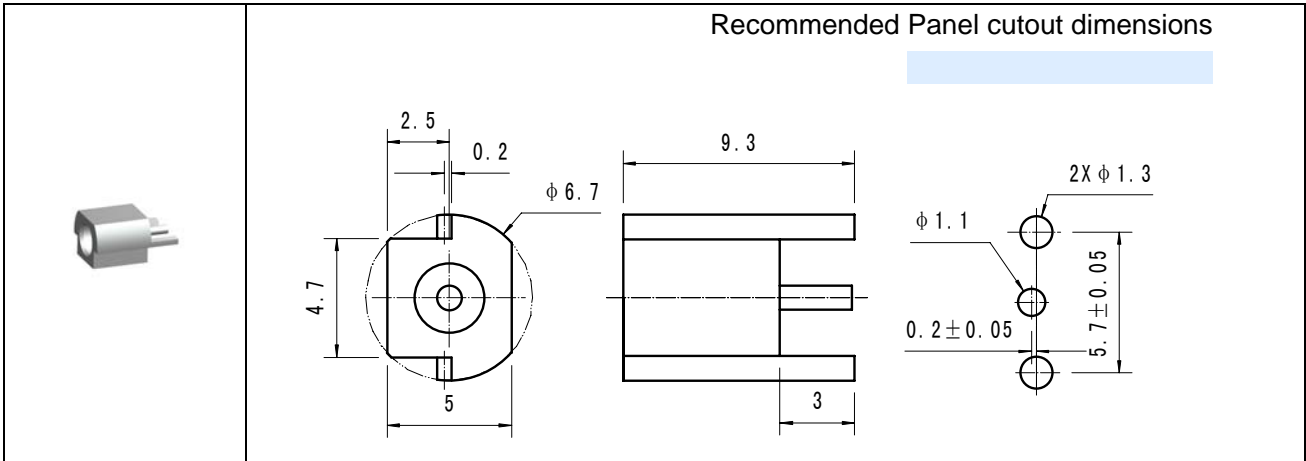
**MCX-SHD5**



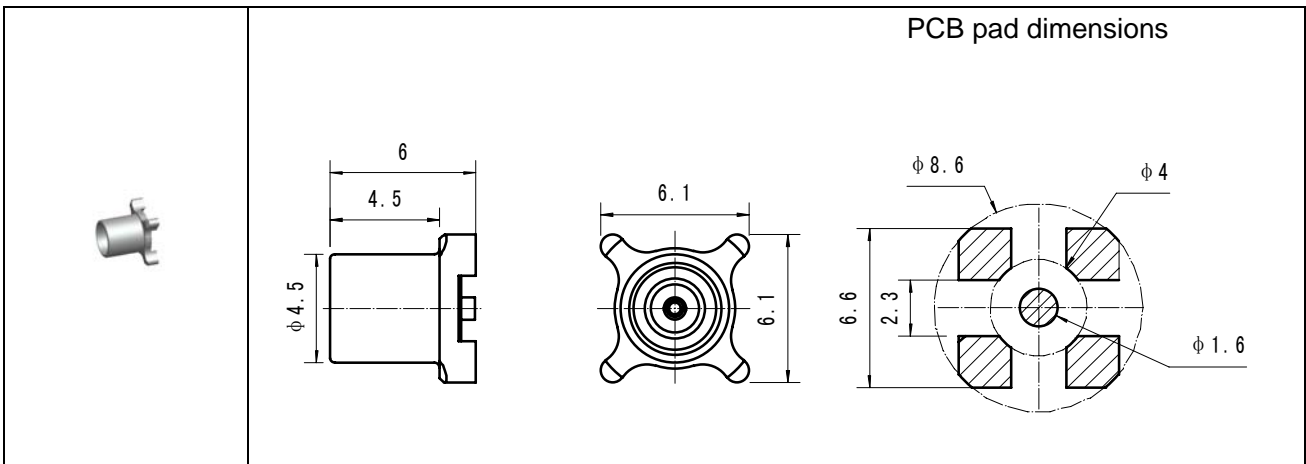
**MCX-SHD6**



**MCX-SHD7**



**MCX-SHD8**



**MCX-SWHD**

