

## N1 Series RF Coaxial Connectors

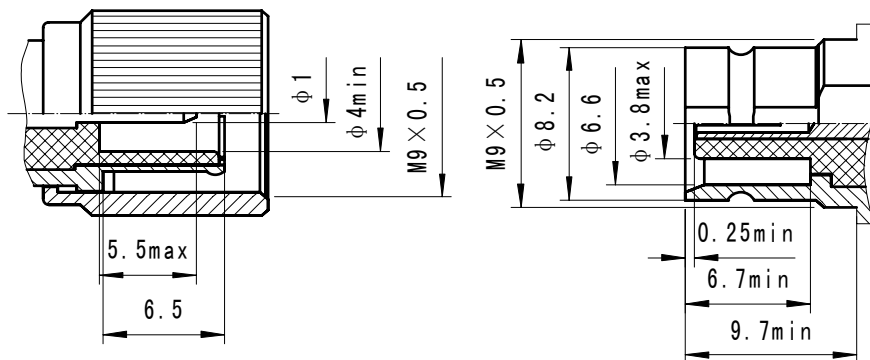
- IEC60169-13
- Thread coupling RF coaxial connectors, compliant with IEC60169-13
- Generally used in to 75 Ω impedance system with high reliability and low loss, etc.

Widely used in radio and television system and mobile communication system.

### Main technical characteristics

Temperature Range		-40~+155°C	Insulation Resistance	≥5000MΩ
Characteristic Impedance		75Ω	Dielectric strength	1000V
Contact resistance	Central conductor	≤0.001Ω	Frequency range	0~1GHz
	Outer conductor	≤0.0006Ω	Endurance	500 Cycles

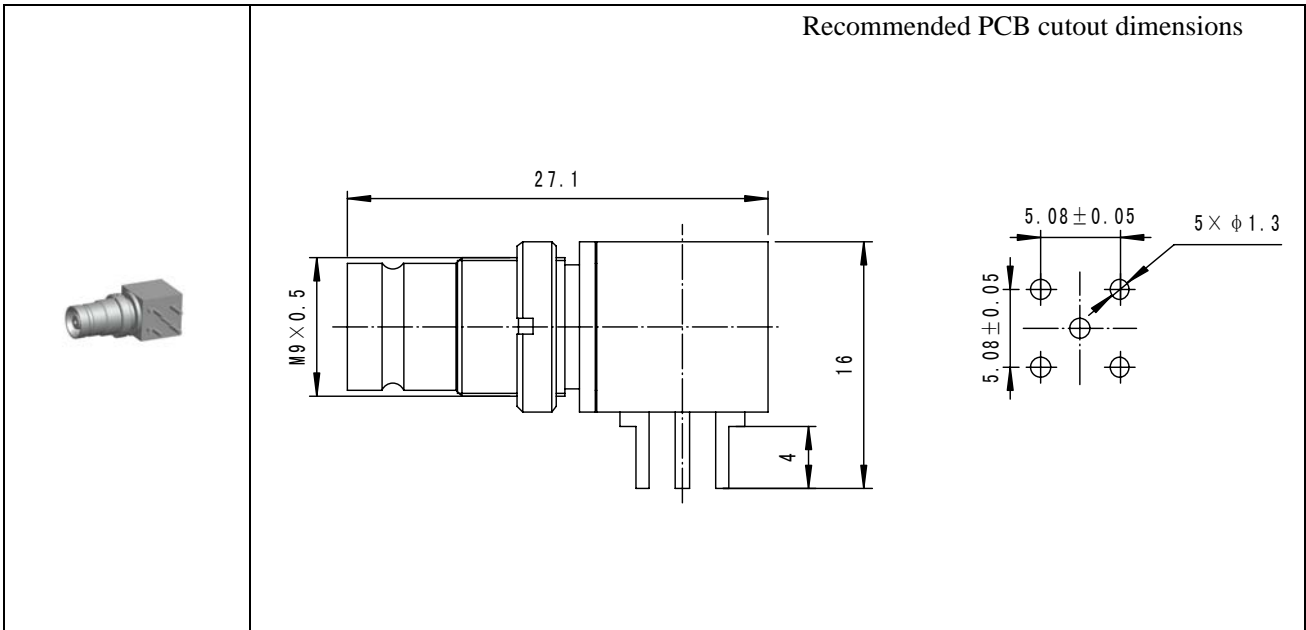
### Interface Dimensions



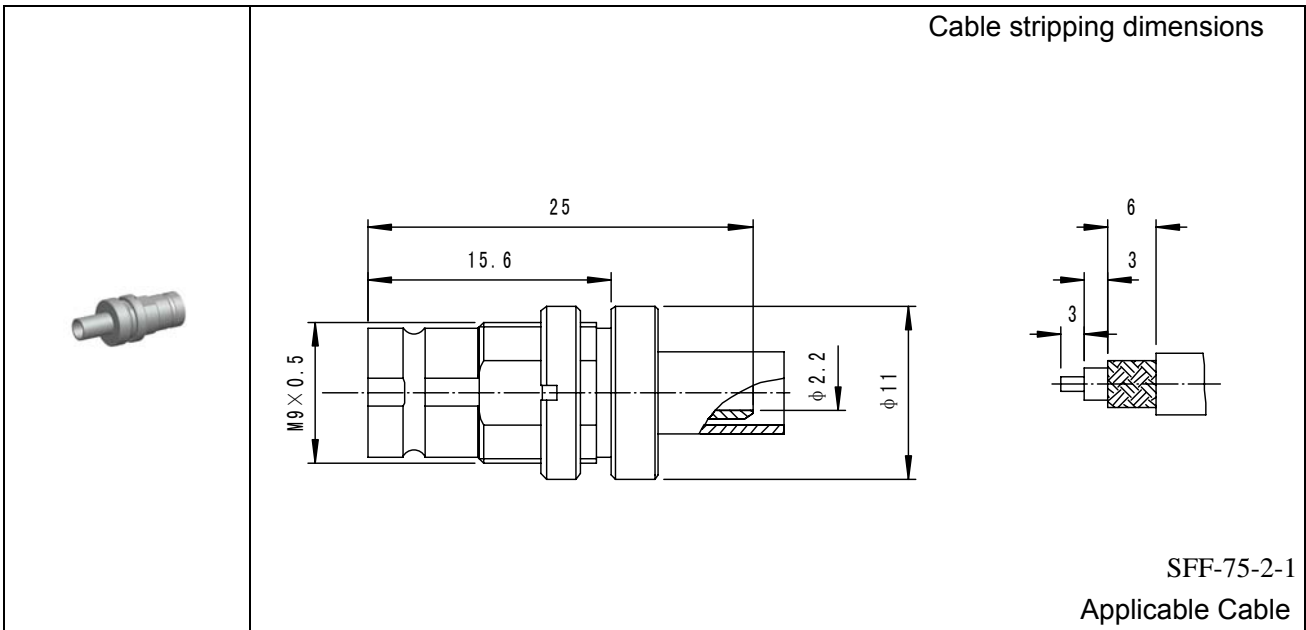
Name		Material & Plating
Outer conductor		Brass with gold plating and nickel plating
Central conductor	Pin	Brass with gold plating
	Socket	Tin bronze with gold plating
Insulator		Teflon
Sealing members		Silicone Rubber
Crimping sleeve		Brass with nickel plating

Heat shrink tube	Plastic
------------------	---------


Receptacle  
N1-75KWE

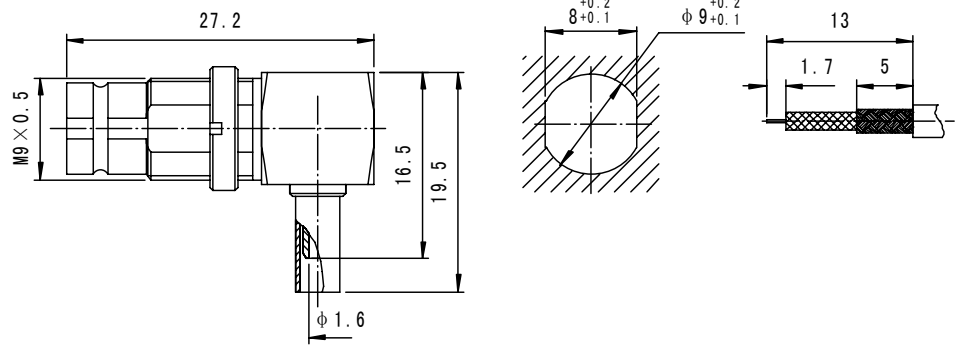


N1-75KY32-1



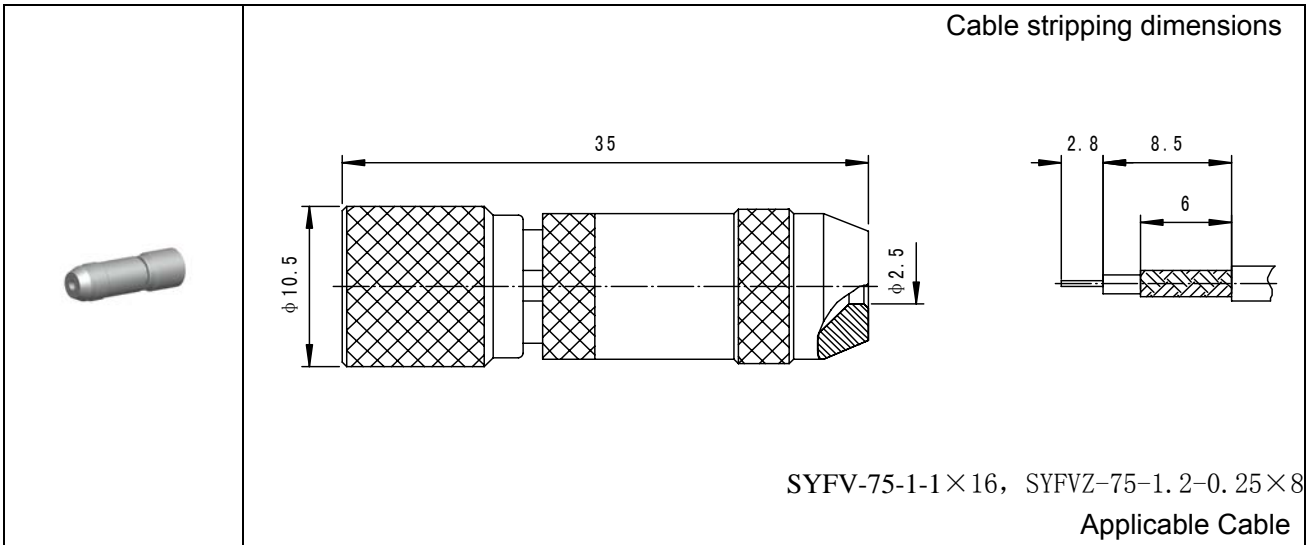
N1-75KW3

	<p style="text-align: center;">Panel cutout dimensions</p> <div style="background-color: #ADD8E6; width: 100px; height: 10px; margin: 0 auto;"></div> <p style="text-align: right;">Cable stripping</p> <p>dimensions</p>
---	---

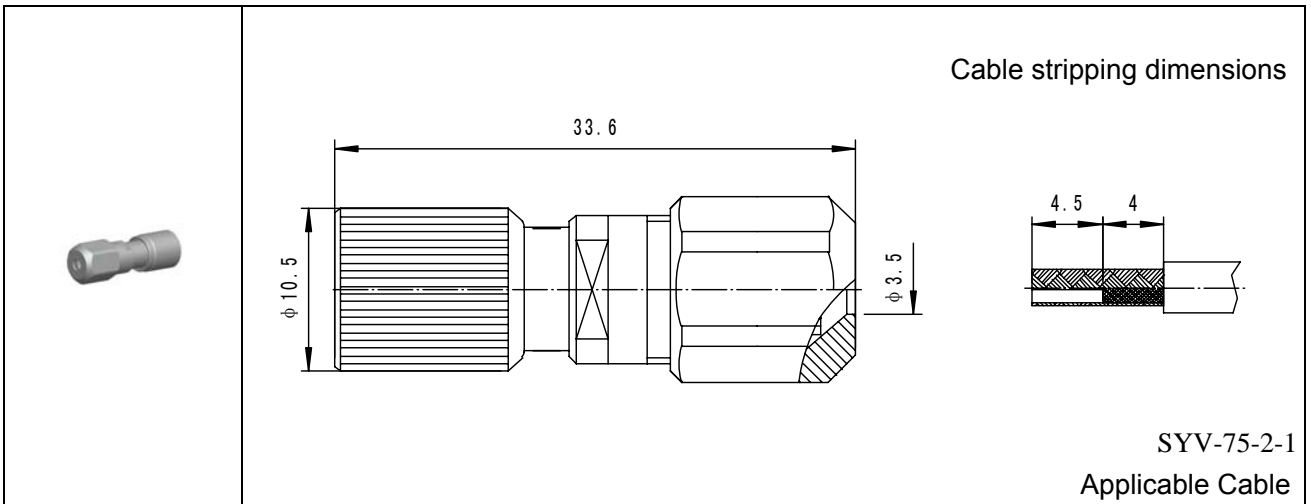


RG179、SYV-75-2-1  
Applicable Cable

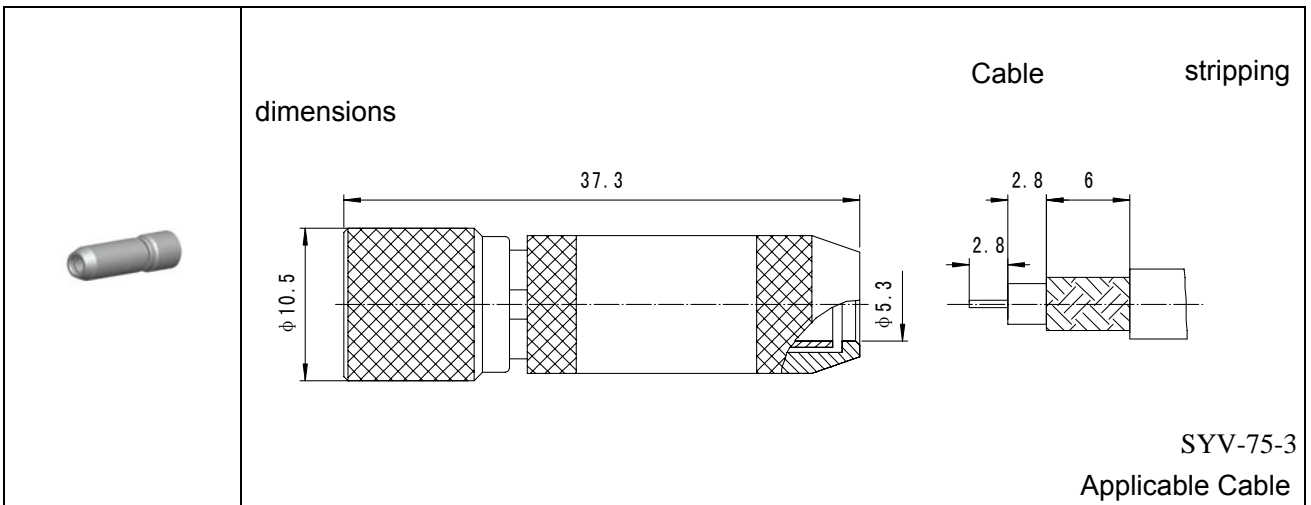
Plug N1-75J2



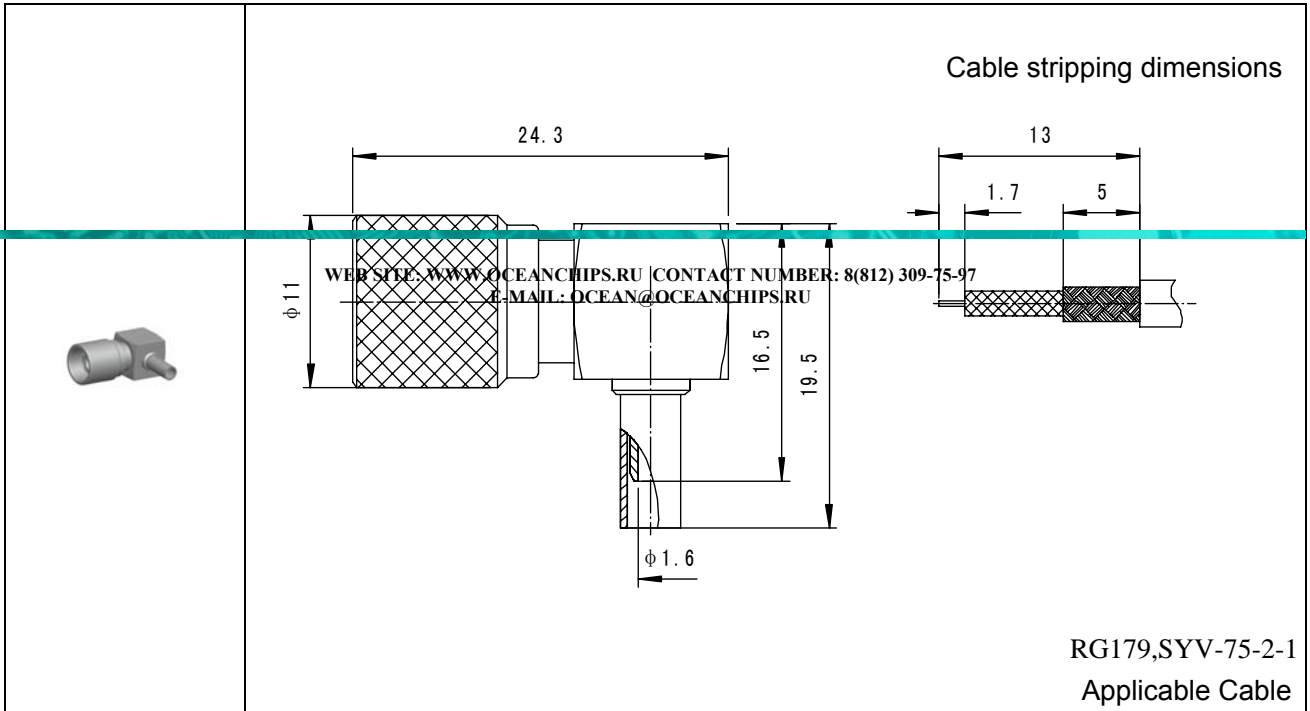
N1-75J4



N1-75J5A



**N1-75JW3**



**N1-75JY32-1**

