

L67 Series Electrical Connectors

Brief introduction

- Hyperboloid wire spring socket
- Unit modular combination
- Large and small modules: DM and XM for any type of combination
- 2.54mm standard gridding
- Termination types: PCB solder dip, soldering and crimp
- Standard: 21E0.204.066JT

Main technical characteristics

—Operation temperature: -55~+105°C

—RH: 95% at 40°C

—vibration: 10~500Hz, acceleration 98m/s²

—shock: acceleration 294m/s²

—Insulation resistance: Normal≥5000MΩ, Heat damp≥10MΩ

—durability: 1000 cycles

—Contact electrical performances:

Contact size (mm)	Contact resistance (Ω)	Rated current (A)	withstanding voltage (V)	rated voltage (V)
Φ0.6	≤0.003	3	1000	300
Φ1.5	≤0.00125	9	1500	500

Matching tools list for crimp contacts

Contact size (mm)	Crimp bucket ID (mm)	Wire section (mm ²)	Extraction tool	Crimp tool
Φ0.6	Φ0.9	0.35~0.40	QX-L67	XCXY-00
Φ1.5	Φ1.9	1.1~1.3	QX-01B	XCXY-00

Designation

No	Classification	Contents	Mark
1	Series	Rectangular connectors	L67
2	Dash		-
3	Number of unit modules and codes	Number of unit modules n	nM
4	Connector type	plug , receptacle	plug -T, receptacle -Z
5	Contact type	Pin and socket	Pin -J, socket -K
6	Contact termination types	PCB solder dip, soldering and crimp	PCB -B, crimp -Y, soldering -H
7	Contact plating	Silver plating and gold plating	Silver plating -blank, gold plating -J
8	Dash		-
9	Number of DM modules and codes	Number of DM modules n	nDM
10	Number of XM modules and codes	Number of XM modules n	nXM

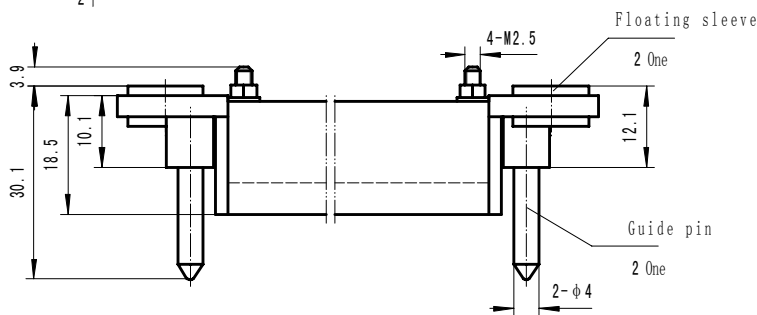
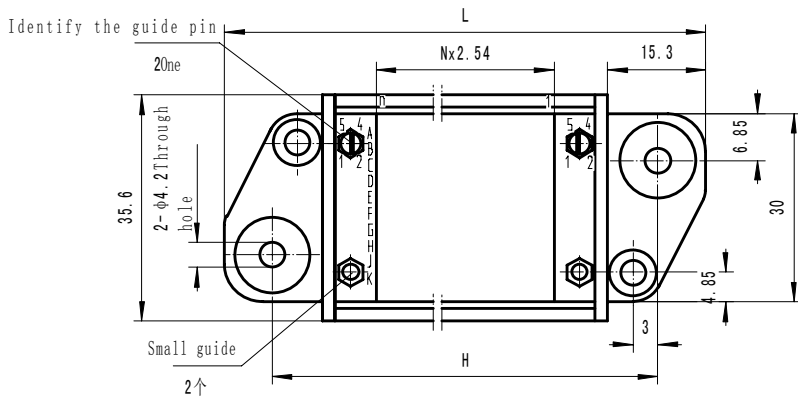
Example:

For L67 series, when there are 5 DM modules (equal to 10 unit modules) in the plug and 13 in the receptacle, and with crimped pin end, gold plated contact; soldered gold plated socket end in the receptacle, the part number is:

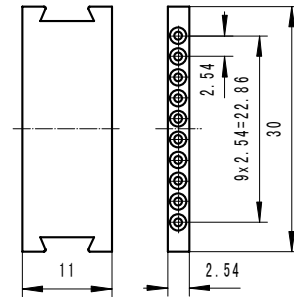
Plug: L67-23MTJYJ-5DM/13XM

Receptacle: L67-23MZKHJ-5DM/13XM

L67 plug frame

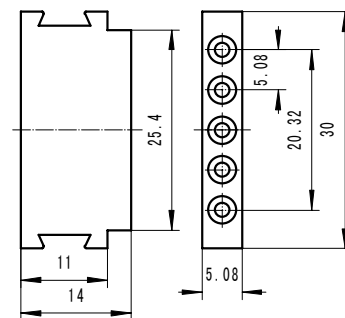


XM Module



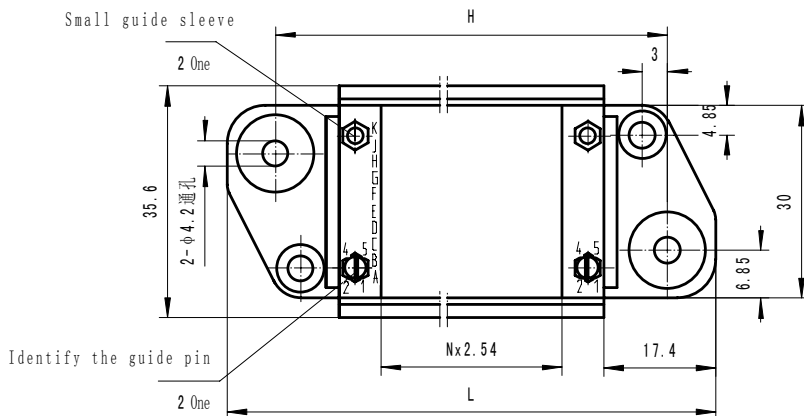
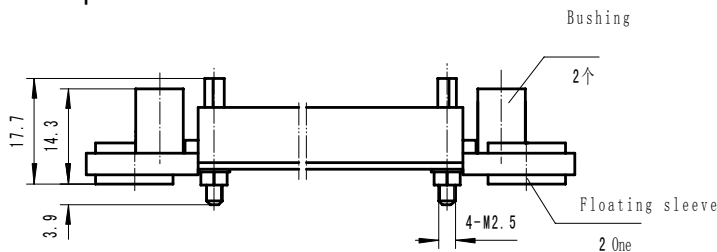
The module can be equipped with 10 φ0.6 contacts (pins or jack).

DM Module



The module can be equipped with five φ1.5 contacts (pins or jack).

L67 receptacle frame



Number of unit modules N	H	L
7	50.78	65.38
9	55.86	70.46
11	60.96	75.56
15	71.10	85.70
18	78.72	93.32
19	81.26	95.86
23	91.42	106.02
27	101.58	116.18
31	111.74	126.34
35	121.90	136.50
52	165.08	179.68