

## L58C Series Rectangular Connectors

### Product brief introduction

- Small volume, high density
- Number of contacts: 9~74
- Double-safety latching device with high reliability
- Termination type for plug: soldering with clamping wire jacket
- Termination type for receptacle: soldering, PCB soldering and with clamping wire jacket
- Applicable for electrical signals connections within the equipment cabins of aviation, aerospace, weapon, shipment, communication and computer industries.
- Implemented enterprise standard: Q/21EJ518

### Main technical performances

- |  |  |
|--|--|
| — Operating temperature: -55℃~+125℃          | —Contact size: Φ1                                |
| —RH: 90%~ 95% at 40℃                         | — Rated current: 5A                              |
| — vibration : 10~50Hz, amplitude 2.5mm       | — Withstanding voltage:                          |
| 50~2000Hz, acceleration 245 m/s <sup>2</sup> | normal 1000V, damp heat 500V, high altitude 250V |
| — acceleration: 980 m/s <sup>2</sup>         | — insulation resistance:                         |
| — shock: 980 m/s <sup>2</sup>                | normal≥5000MΩ, damp heat≥500MΩ, humidity≥50 MΩ   |
| —salt spray: 48h                             | —contact resistance:                             |
|  | before aging≤6mΩ, after aging≤10mΩ               |
|  | —durability: 500 cycles                          |

### Designation

L58 C — 74 Z J B  
 1 2 3 4 5 6

No.	Class	Contents	Mark
1	Basic series	Series 36 rectangular connector	L58
2	Classification	General type	C
3	Number of contacts	9, 17, 26, 38, 52, 62, 74	Mark the number
4	Connector type	Plug	T
		Receptacle	Z
5	Contact type	pin	J
		socket	K
		PCB solder dip straight pin	J2 ( Only for panel mounting receptacle )

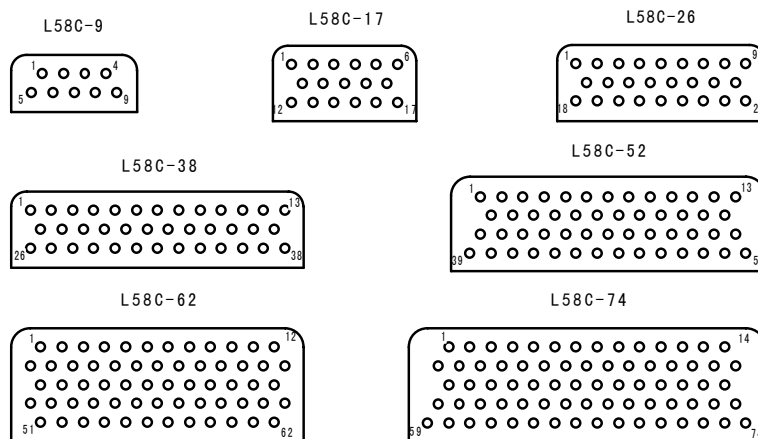
		PCB solder dip straight socket	K2 (Only for panel mounting receptacle)
6	Mounting type	panel mounting	B
		cable mounting	L

Designation examples:

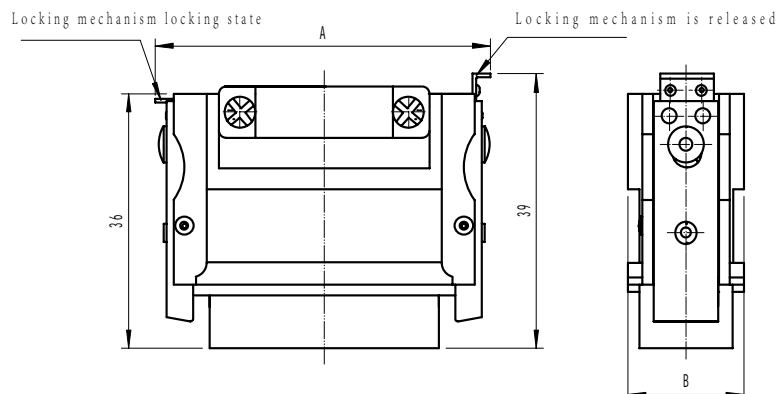
L58C series 74-pole connector, plug with pins, its P/N: L58C-74TJ; receptacle with sockets, cable mounting, its P/N: L58C-74ZKL; P/N of this connectors is L58C-74ZKL/L58C-74TJ, L58C-74ZKL/TJ for short.

L58C series 62-pole connector, plug with sockets, its P/N: L58C-62TK; receptacle with PCB solder dip straight pins, panel mounting, its P/N: L58C-62ZJ2B; P/N of this connector is L58C-62ZJ2B/L58C-62TK, L58C-62ZJ2B/TK for short.

Contact arrangements (View from matching surface of insulator with sockets)



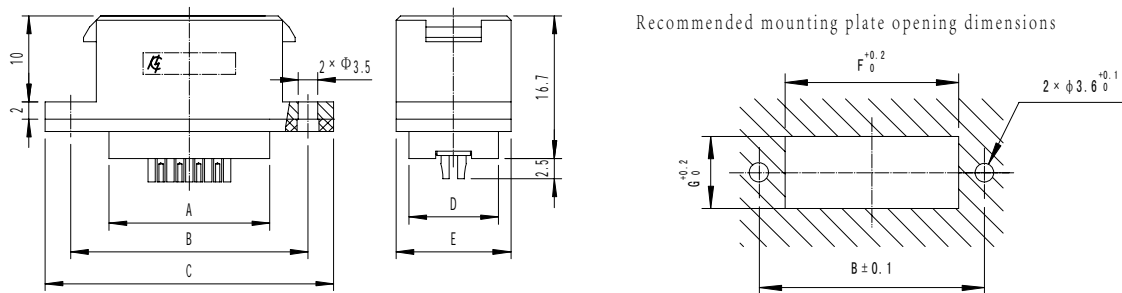
### Dimensions Plug L58C-XTJ(K)



P/N	A	B
L58C-9TJ(K)	33.6	13.5
L58C-17TJ(K)	36	16

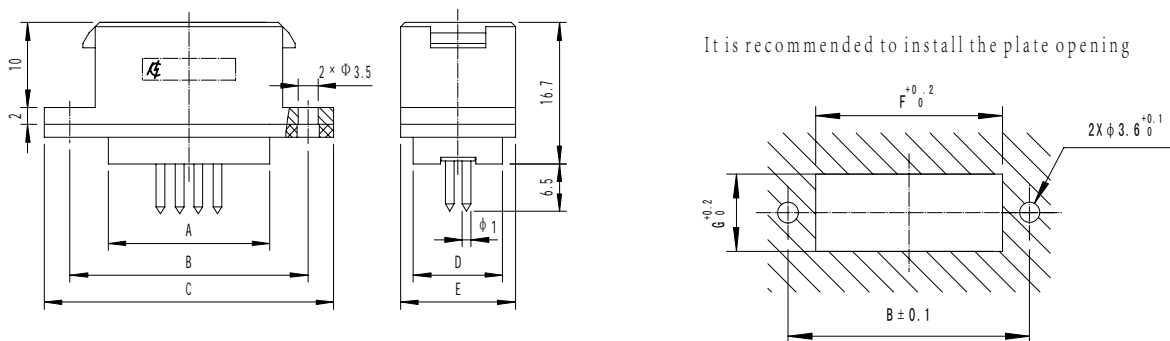
L58C-26TJ(K)	46	16
L58C-38TJ(K)	56	16
L58C-52TJ(K)	58	18.5
L58C-62TJ(K)	56	21
L58C-74TJ(K)	64	21

### Receptacle L58C-XZK(J)B



P/N	A	B	C	D	E	F	G
L58C-9ZK(J)B	19	28	34	10.5	13.5	19.2	10.7
L58C-17ZK(J)B	22	32	39	13	16	22.2	13.2
L58C-26ZK(J)B	32	42	49	13	16	32.2	13.2
L58C-38ZK(J)B	42	52	59	13	16	42.2	13.2
L58C-52ZK(J)B	44	54	61	15.5	18.5	44.2	15.7
L58C-62ZK(J)B	42	52	59	18	21	42.2	18.2
L58C-74ZK(J)B	50	60	67	18	21	50.2	18.2

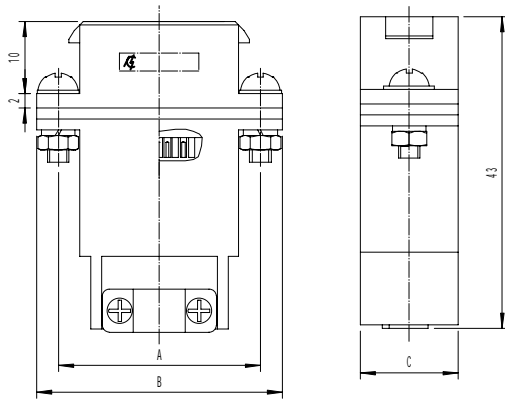
### Receptacle L58C-XZK2(J2)B



P/N	A	B	C	D	E	F	G
L58C-9ZK2(J2)B	19	28	34	10.5	13.5	19.2	10.7
L58C-17ZK2(J2)B	22	32	39	13	16	22.2	13.2
L58C-26ZK2(J2)B	32	42	49	13	16	32.2	13.2
L58C-38ZK2(J2)B	42	52	59	13	16	42.2	13.2
L58C-52ZK2(J2)B	44	54	61	15.5	18.5	44.2	15.7
L58C-62ZK2(J2)B	42	52	59	18	21	42.2	18.2

L58C-74ZK2(J2)B	50	60	67	18	21	50.2	18.2
-----------------	----	----	----	----	----	------	------

### Receptacle L58C- $\times$ ZK(J)L

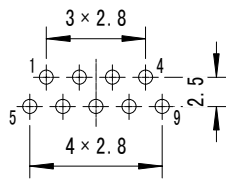


P/N	A	B	C
L58C-9ZK(J)L	28	34	13.5
L58C-17ZK(J)L	32	39	16
L58C-26ZK(J)L	42	49	16
L58C-38ZK(J)L	52	59	16
L58C-52ZK(J)L	54	61	18.5
L58C-62ZK(J)L	52	59	21
L58C-74ZK(J)L	60	67	21

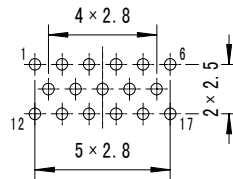
### Straight PCB receptacle recommended PCB cutout

- The figure below is PCB cutout for L58C- $\times$ ZK2B. L58C- $\times$ ZK2B and L58C- $\times$ ZK2B are the same. Cavity numbers are symmetric with the center line.
- Recommended PCB cutout diameter is  $\Phi 1.1^{+0.1}_0$

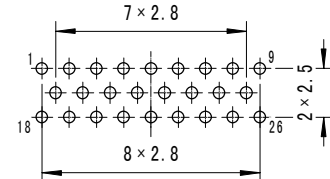
L58C-9ZK2B



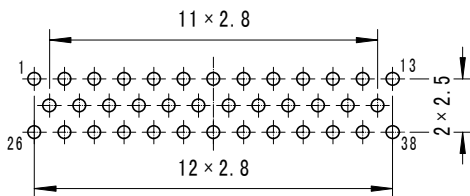
L58C-17ZK2B



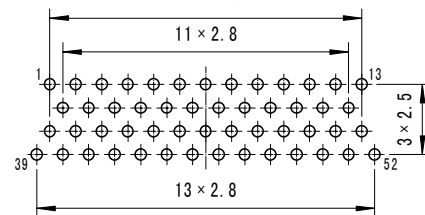
L58C-26ZK2B



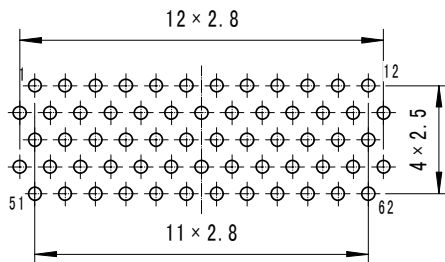
L58C-38ZK2B



L58C-52ZK2B



L58C-62ZK2B



L58C-74ZK2B

