

L52 Series Rectangular Optical Connector

Product brief introduction

- Small volume, light weight and various product types (2-pole, 4-Pole and 6-Pole)
- Plastic shell
- Sealing design
- Optic cable OD: $\Phi 0.9$ single-core cable

Applications

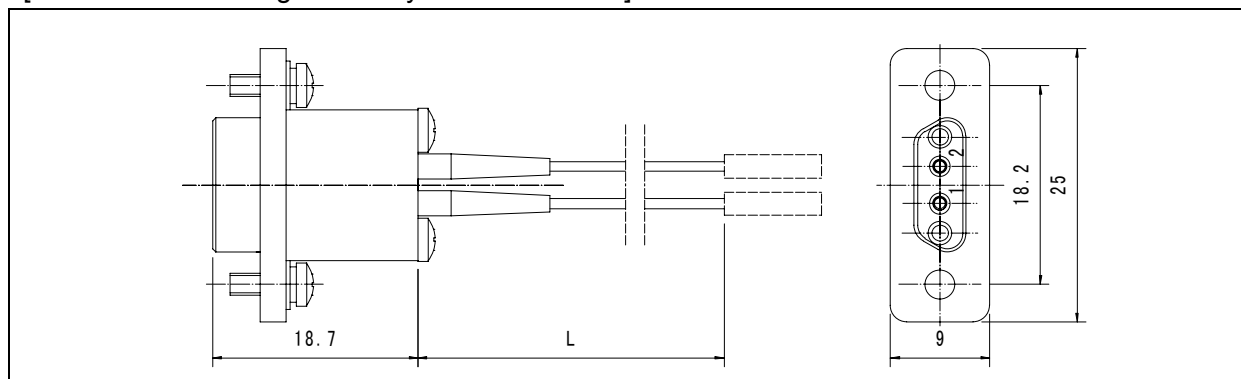
- Applicable for fields requiring light weight
- Chassis inside and indoor application
- Fields requiring small mounting dimensions

Performances

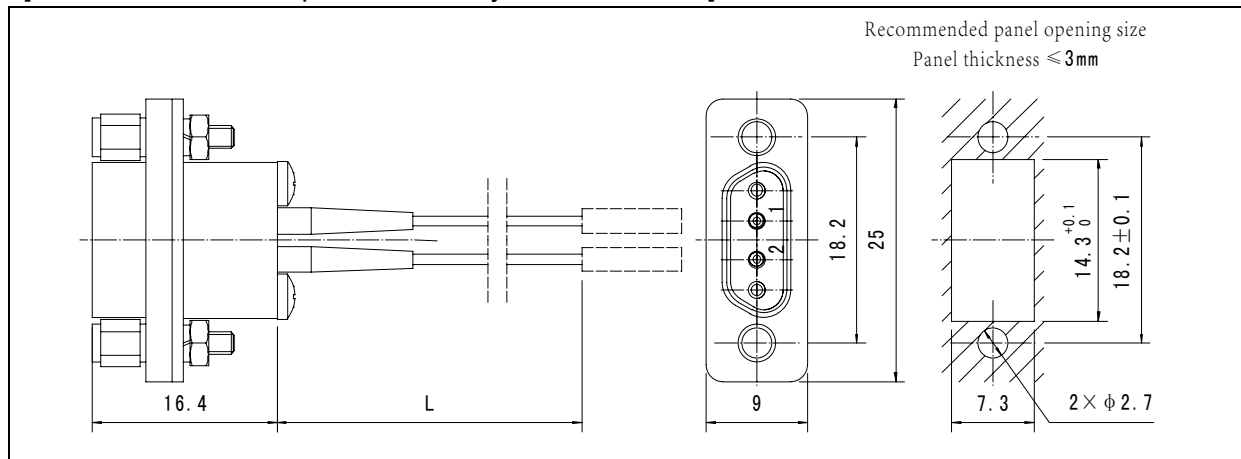
Parameter	MM	SM
Insertion loss (dB)		≤ 1.2
Repeatability (dB)		≤ 1.5
Vibration	10~500Hz, 0.75mm half amplitude	
Shock	490m/s ²	
Durability (cycles)	500	
Thermal Shock (°C)	-40~+80	

Outline dimensions

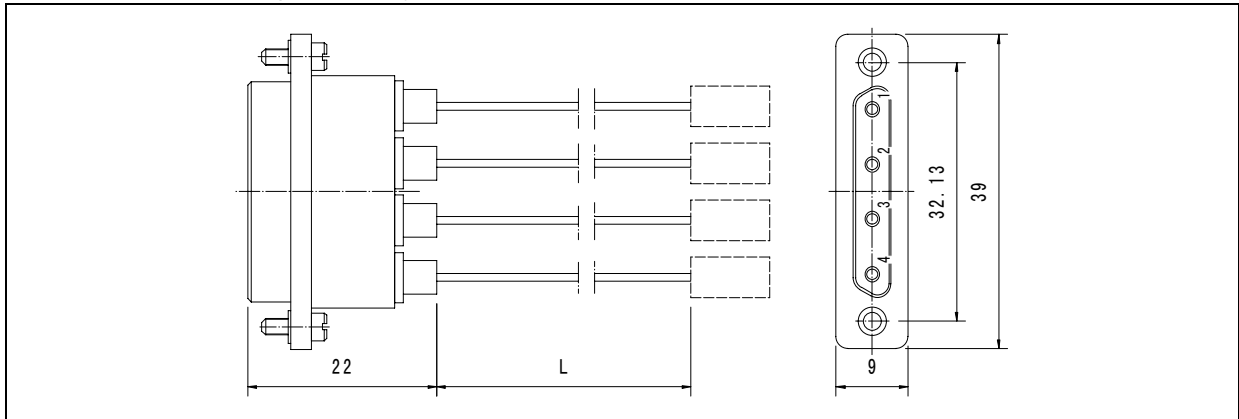
[L52/2GT 2-Pole Plug Assembly (Plastic shell)]



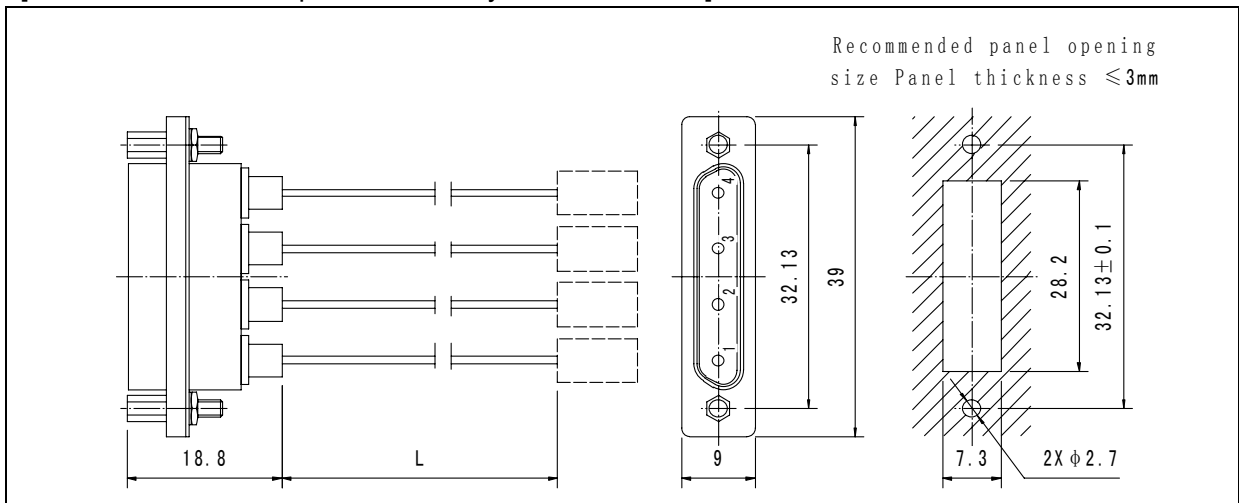
[L52/2GZ 2-Pole Receptacle Assembly (Plastic shell)]



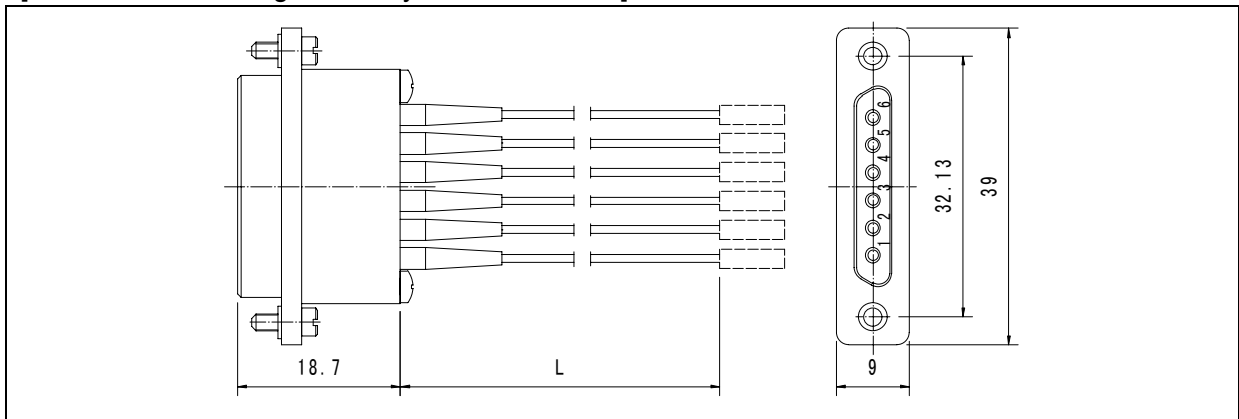
[L52/4GT 4-Pole Plug Assembly (Plastic shell)]



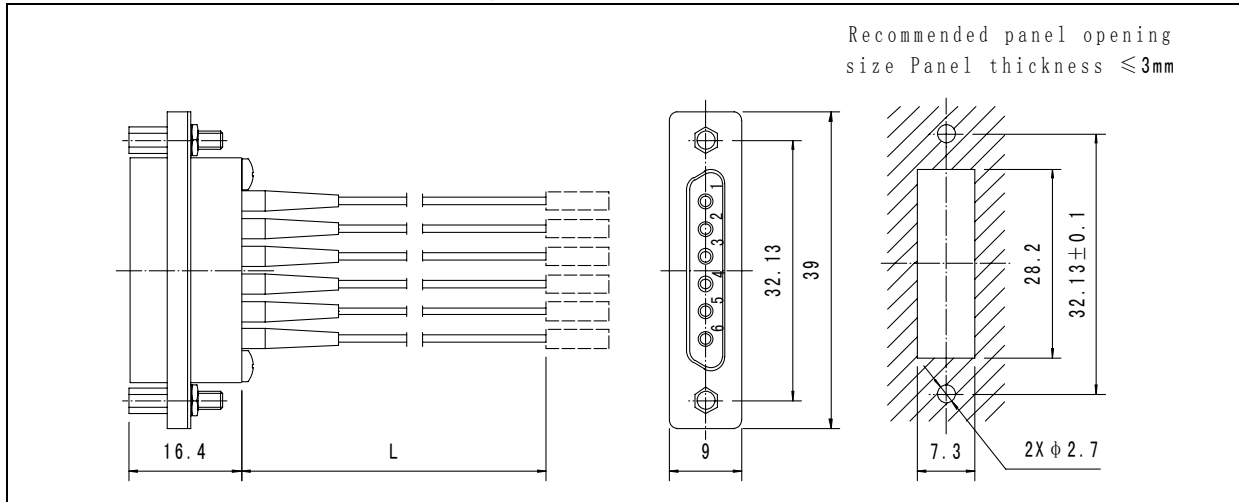
[L52/4GZ 4-Pole Receptacle Assembly (Plastic shell)]



[L52/6GT 6-Pole Plug Assembly (Plastic shell)]



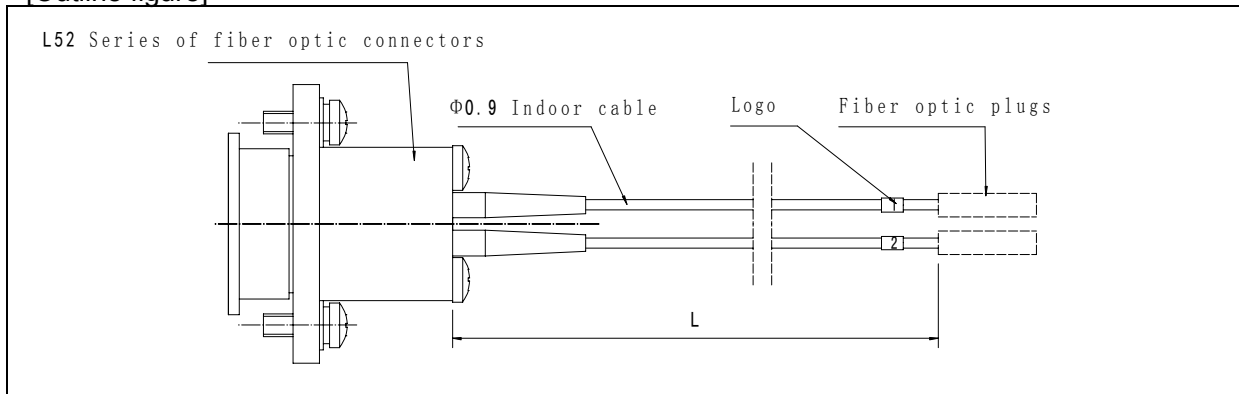
[L52/6GZ 6-Pole Receptacle Assembly (Plastic shell)]



L52 Optic Connector Series Product Selection

Guideline Normal optic cable assembly types

[Outline figure]



Note: L in the figure is the cable length required by user.

Features: L52 Optic Connector Series at cable one end and general optic connector at the other end. Cable is a $\Phi 0.9$ indoor cable.

[Ordering P/N explanation]

Basic series	L 5 2 /		Z	-2	FC	-S	0.9	-L	3
Number of contacts	2-pole: 2G 6-pole: 6G	2G 4-pole: 4G							
Connector type at end 1	Receptacle: Z Plug: T								
Number of connectors at end 2	Omitted when number of connectors is 1.								
Connector type at end 2	FC, LC or SC								
Transmission mode	S-SM (9/125) M-MM (62.5/125) MI-MM (50/125)								
Cable diameter (mm)	$\Phi 0.9$ mm								
Length code	Stands for cable length code								
Cable length(m)	Mark the value, unit: m								

[Cautions]

When free plug end of the optic cable assembly uses LC plug, product can be mounted from the front or rear part of the mounting panel. When uses other optic plugs, the mounting is recommended from the rear part of panel (see the product outline dimension figures for mounting panel cutout dimensions).