













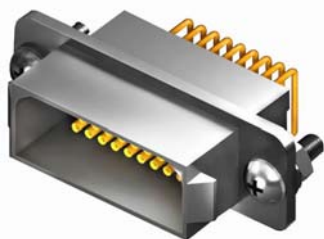




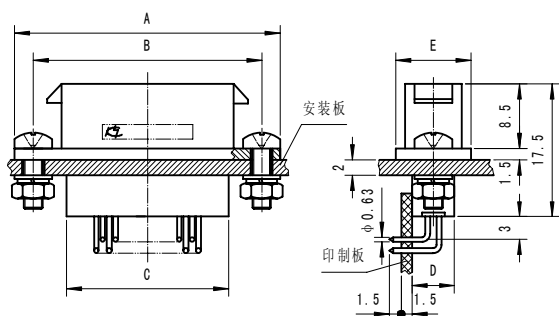




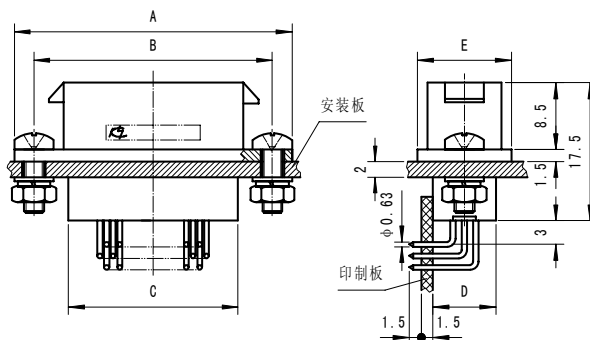
● L46J-×ZK(J)W right angle PCB receptacle



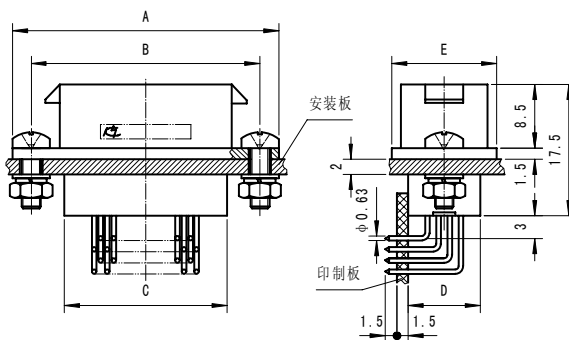
L46J-9、15ZK(J)W



L46J-19~52ZK(J)W



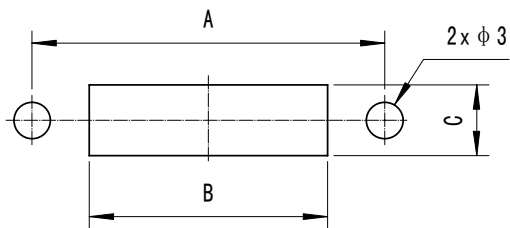
L46J-74ZK(J)W



P/N	A	B	C	D	E
L46J-9ZK(J)W	28	23	14.2	5.6	10
L46J-15ZK(J)W	34	29	19.4	5.6	10
L46J-19ZK(J)W	32	27	18.2	8.1	12
L46J-25ZK(J)W	35.4	30.4	21.6	8.1	12
L46J-26ZK(J)W	35.4	30.4	21.6	8.1	12
L46J-37ZK(J)W	42	37	28.2	8.1	12
L46J-38ZK(J)W	42	37	28.2	8.1	12
L46J-51ZK(J)W	51	46	37.2	8.1	12
L46J-52ZK(J)W	51	46	37.2	8.1	12
L46J-74ZK(J)W	53	48	39.2	9.7	14

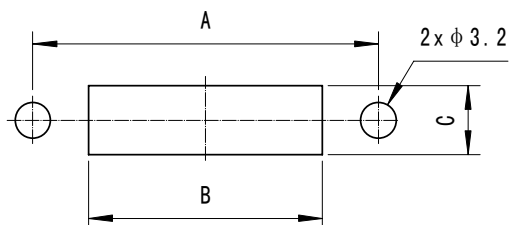
## Recommended panel mounting cutout dimensions

Mounting cutout dimensions before panel



Number of contacts	A	B	C
9	23	14.4	5.8
15	29	19.6	5.8
19	27	18.4	8.3
25	30.4	21.8	8.3
26	30.4	21.8	8.3
37	37	28.4	8.3
38	37	28.4	8.3
51	46	37.4	8.3
52	46	37.4	8.3
74	48	39.4	9.9

Mounting cutout dimensions behind panel



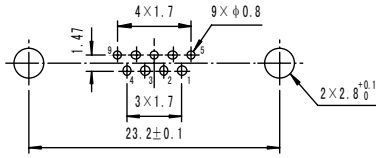
Number of contacts	A	B	C
9	25.2	19.4	7.8
15	31.2	25.4	9.1
19	29.2	23.4	10
25	32.5	26.8	10
26	32.5	26.8	10
37	39	33.4	10
38	39	33.4	10
51	48	42.4	10
52	48	42.4	10
74	50	44.4	12

## Recommended PCB cutout dimensions

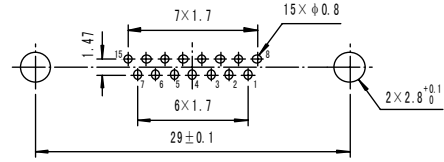
Straight PCB receptacle cutout dimensions (the figure below is L46J-xZKN PCB cutout dimensions)

Note: L46J-xZJN and L46J-xZKN cutout dimensions are identical. Just symmetrize hole numbers by center line.

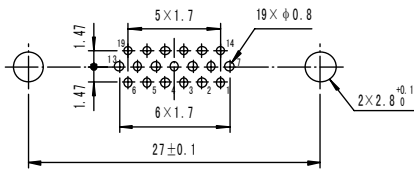
L46J-9ZKN



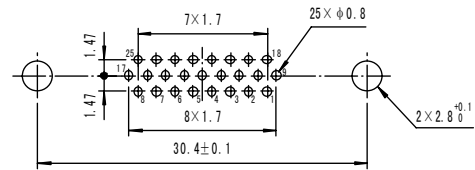
L46J-15ZKN



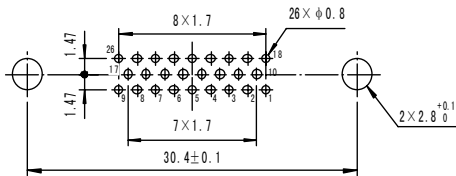
L46J-19ZKN



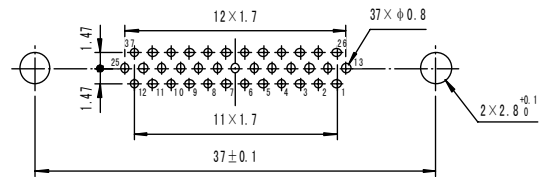
L46J-25ZKN



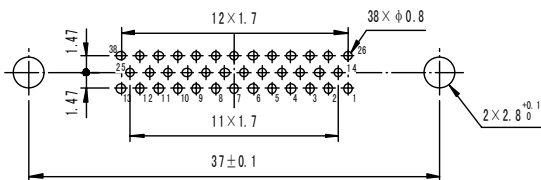
L46J-26ZKN



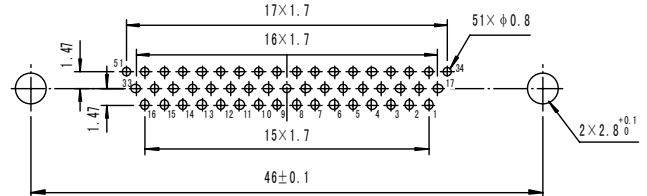
L46J-37ZKN



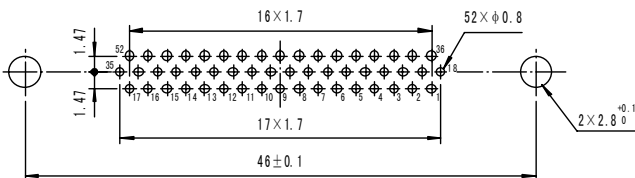
L46J-38ZKN



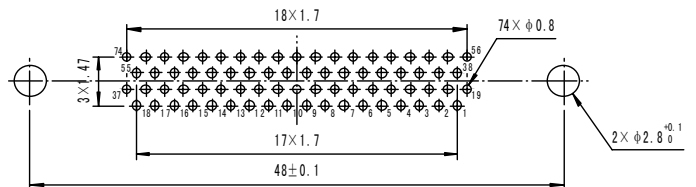
L46J-51ZKN



L46J-52ZKN



L46J-74ZKN



Right angle PCB receptacle cutout dimensions (the figure below is L46J-xZKW PCB cutout dimensions)

Note: L46J-xZJW and L46J-xZKW cutout dimensions are identical. Just symmetries hole numbers by center line.

