

L38 Series Filter Connectors

Product Introduction

- Module combined structure
- Interchangeable with American DPX series electrical connectors
- Anti-mismating guide pin, guide socket
- Solder termination
- Widely used for the circuit link between electronic combination cabinet and rack

Main technical performance

[Mechanical]

- Shell: aluminium alloy
- Contact: copper alloy plating, gold plating, solder cup
- Endurance: 500 cycles

[Electrical and filtering characteristics]

- EMI filter frequency: 0.02MHz ~ 10GHz
- Insertion loss: in accordance with MIL-STD-220
- Rated voltage: 200VDC
- Withstanding voltage: 500VDC
- Insulation resistance: normal temp \geq 1000M Ω , damp& heat \geq 100M Ω

[Environmental]

- Operating temperature: -55 $^{\circ}$ C ~ + 125 $^{\circ}$ C
- Vibration: frequency 10~2000Hz, acceleration 196 m/s 2
- Shock: acceleration 490 m/s 2

—Contact resistance and rated current:

Contact size (mm)	Contact resistance (m Ω)	Rated current (A)
16#	\leq 3.769	10
20#	\leq 7.333	5
22#	\leq 14.6	3

Ordering information

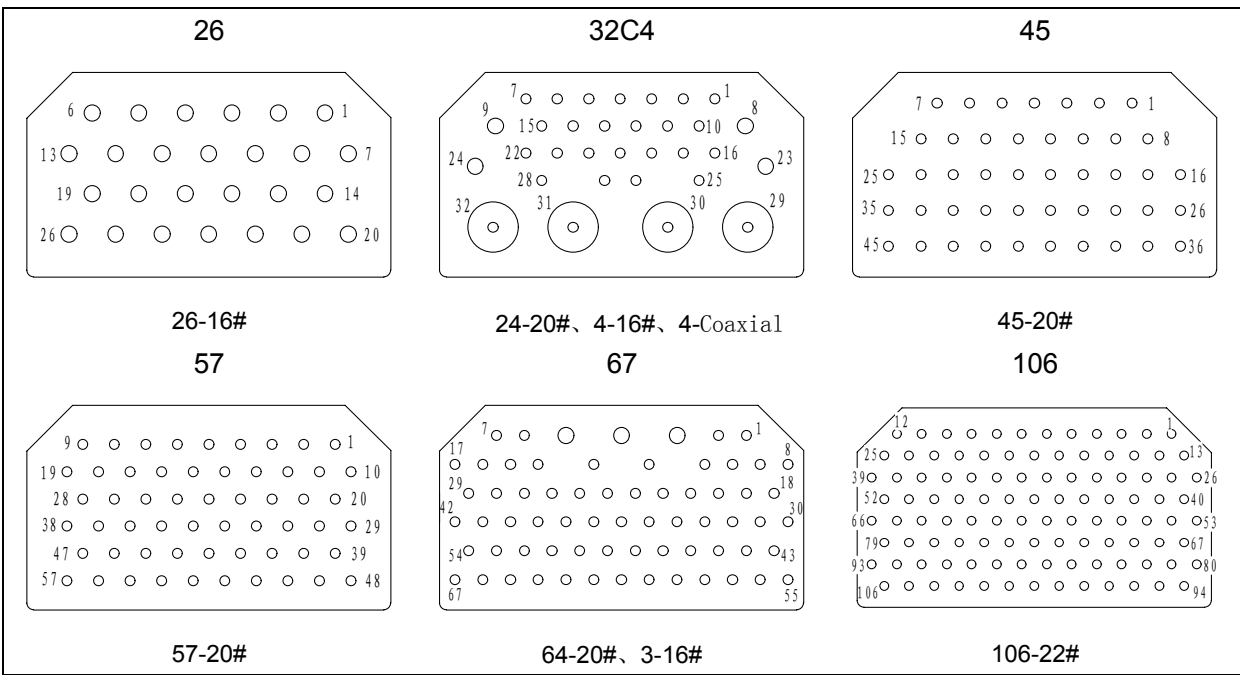
[Rectangular structure with one cavity]

Basic series	L38	B	-57	-34	P		01	L	1	472
Type	No mark--floating flat shell A-- floating semi-sink shell B--positioned flat shell									
Layout	see contact layout table									
Structure type	34—Receptacle									
contact type	P—pin S—socket									
Modification mark	Only for floating flat shell no mark--Common mounting hole A--countersink mounting hole									
position	Only for type B shell See guide pin combination code									
Filtering code	L--Filter connector									
Filter circuit form	1--Type C 2--Type π 3—Type T									
Filter code (pF) capacitance	see the table for "alternative filter connector and insertion loss index" (Page IV)									

[Rectangular structure with double cavities]

Basic series	L38	-2	57P	67	P	34	B	01	L	1	472
Shell interface type	2--Rectangular structure with double cavities										
A Interface contact arrangement and contact type	see contact layout										
B Interface contact arrangement and contact type	see contact layout										
Structure	34—receptacle										
Shell type	A—semi-sink mounted shell AF—semi-sink floating mounted shell B—flat mounted shell BF—flat floating mounted shell										
position	See guide pin combination code										
Filter code	L—Filter connector										
Filter circuit form	1—Type C 2—Type π 3—Type T										
Filter code (pF) capacitance	see the table for "alternative filter connector and insertion loss index" (Page IV)										

Contact layout (front face of pin inserts illustrated))



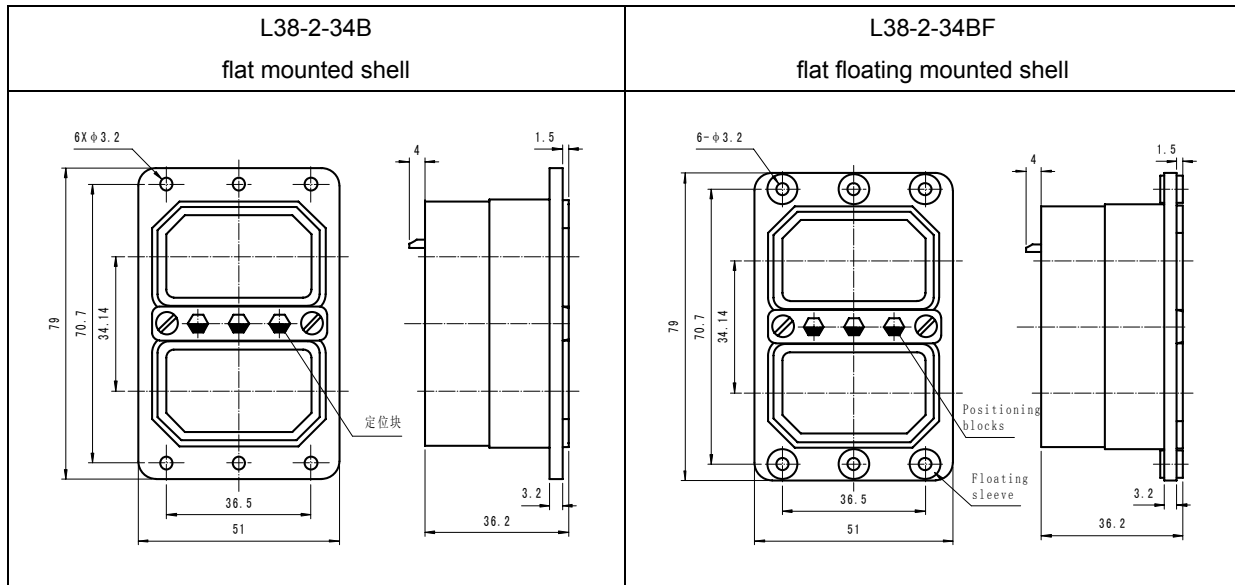
Outline dimensions

[Rectangular receptacle with single cavity]

<p style="text-align: center;">L38-34 floating flat shell (common mounting hole)</p>	<p style="text-align: center;">L38-34-A floating flat shell (countersink mounting hole)</p>
<p style="text-align: center;">L38A-34 floating semi-sink shell</p>	<p style="text-align: center;">L38B-34 positioned flat shell</p>

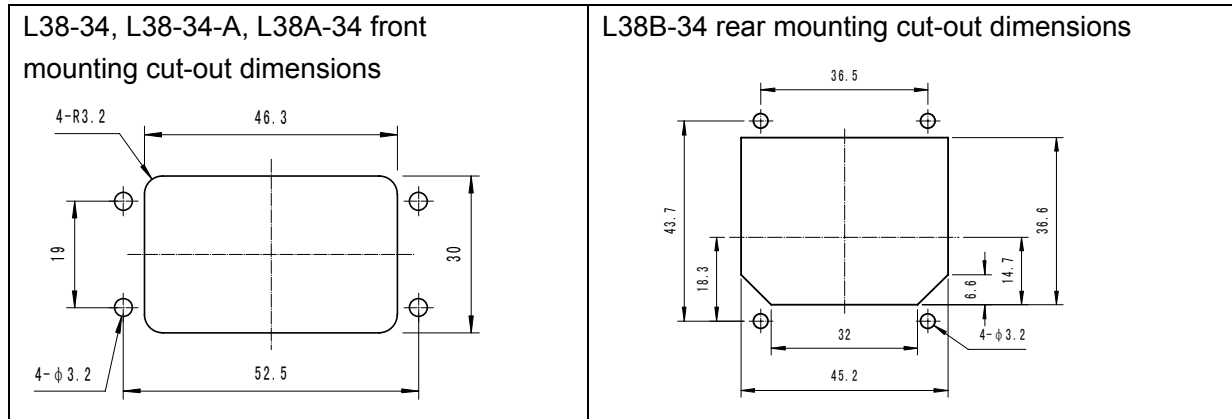
[Rectangular receptacle with double cavities]

<p style="text-align: center;">L38-2-34A semi-sink mounting shell</p>	<p style="text-align: center;">L38-2-34AF semi-sink floating mounting shell</p>
--	--

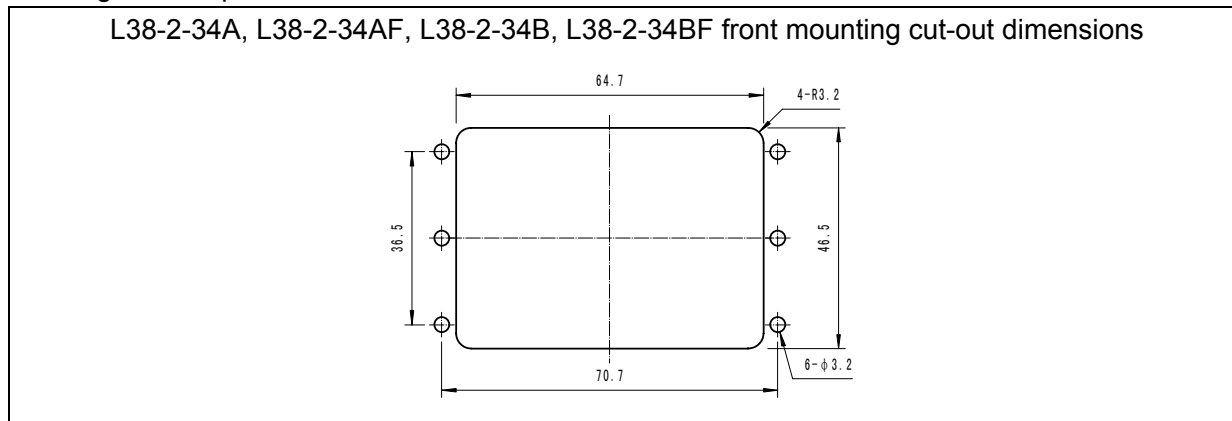


Recommended panel cut-out dimensions

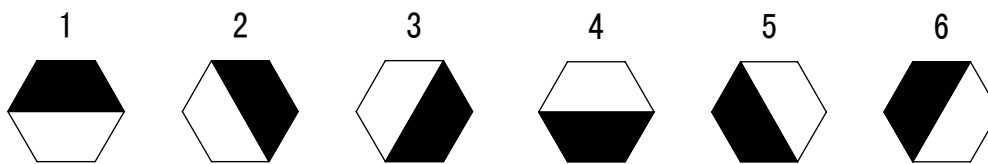
Rectangular receptacle with single cavity



Rectangular receptacle with double cavities



Appendix: Guide pin position combination code



plug				receptacle			
Position combination code	left	mid	right	Position combination code	left	mid	right
00	—	—	—	00	—	—	—
01	1	1	1	01	4	4	4
02	2	1	1	02	4	4	3
03	3	1	1	03	4	4	2
04	4	1	1	04	4	4	1
05	5	1	1	05	4	4	6
06	6	1	1	06	4	4	5
07	1	1	6	07	5	4	4
08	2	1	6	08	5	4	3
09	3	1	6	09	5	4	2
10	4	1	6	10	5	4	1
11	5	1	6	11	5	4	6
12	6	1	6	12	5	4	5
13	1	1	5	13	6	4	4
14	2	1	5	14	6	4	3
15	3	1	5	15	6	4	2
16	4	1	5	16	6	4	1
17	5	1	5	17	6	4	6
18	6	1	5	18	6	4	5
19	1	1	4	19	1	4	4
20	2	1	4	20	1	4	3
21	3	1	4	21	1	4	2
22	4	1	4	22	1	4	1
23	5	1	4	23	1	4	6
24	6	1	4	24	1	4	5
25	1	1	3	25	2	4	4
26	2	1	3	26	2	4	3
27	3	1	3	27	2	4	2
28	4	1	3	28	2	4	1
29	5	1	3	29	2	4	6
30	6	1	3	30	2	4	5

31	1	1	2	31	3	4	4
32	2	1	2	32	3	4	3
33	3	1	2	33	3	4	2
34	4	1	2	34	3	4	1
35	5	1	2	35	3	4	6
36	6	1	2	36	3	4	5
37	1	2	1	37	4	3	4
38	2	2	1	38	4	3	3
39	3	2	1	39	4	3	2
40	4	2	1	40	4	3	1
41	5	2	1	41	4	3	6
42	6	2	1	42	4	3	5
43	1	2	6	43	5	3	4
44	2	2	6	44	5	3	3
45	3	2	6	45	5	3	2
46	4	2	6	46	5	3	1
47	5	2	6	47	5	3	6
48	6	2	6	48	5	3	5
49	1	2	5	49	6	3	4
50	2	2	5	50	6	3	3
51	3	2	5	51	6	3	2
52	4	2	5	52	6	3	1
53	5	2	5	53	6	3	6
54	6	2	5	54	6	3	5
55	1	2	4	55	1	3	4
56	2	2	4	56	1	3	3
57	3	2	4	57	1	3	2
58	4	2	4	58	1	3	1
59	5	2	4	59	1	3	6
60	6	2	4	60	1	3	5
61	1	2	3	61	2	3	4
62	2	2	3	62	2	3	3
63	3	2	3	63	2	3	2
64	4	2	3	64	2	3	1
65	5	2	3	65	2	3	6
66	6	2	3	66	2	3	5
67	1	2	2	67	3	3	4
68	2	2	2	68	3	3	3
69	3	2	2	69	3	3	2
70	4	2	2	70	3	3	1

71	5	2	2	71	3	3	6
72	6	2	2	72	3	3	5
73	1	3	1	73	4	2	4
74	2	3	1	74	4	2	3
75	3	3	1	75	4	2	2
76	4	3	1	76	4	2	1
77	5	3	1	77	4	2	6
78	6	3	1	78	4	2	5
79	1	3	6	79	5	2	4
80	2	3	6	80	5	2	3
81	3	3	6	81	5	2	2
82	4	3	6	82	5	2	1
83	5	3	6	83	5	2	6
84	6	3	6	84	5	2	5
85	1	3	5	85	6	2	4
86	2	3	5	86	6	2	3
87	3	3	5	87	6	2	2
88	4	3	5	88	6	2	1
89	5	3	5	89	6	2	6
90	6	3	5	90	6	2	5
91	1	3	4	91	1	2	4
92	2	3	4	92	1	2	3
93	3	3	4	93	1	2	2
94	4	3	4	94	1	2	1
95	5	3	4	95	1	2	6
96	6	3	4	96	1	2	5
97	1	3	3	97	2	2	4
98	2	3	3	98	2	2	3
99	3	3	3	99	2	2	2