

Rectangular connectors specialized for railway

Description

- Include L31 and VL31
- Hyperboloid wire spring socket
- Shock and vibration resistance
- High reliable performance
- Application: electric locomotives, internal-combustion engine, railway signal control cabinet and other electronic control cabinet
- Enterprise standard: 21E0.204.035JT

Main technical characteristic

——Contact resistance and rated current:

Diameter of contact (mm)	Contact resistance (mΩ)	Rated current (A)
Φ1.0	≤5	5
Φ1.5	≤2.5	10

——Rated voltage: 300V

——Withstanding voltage: 2000V

——Insulation resistance: ≥500MΩ (normal),

≥20MΩ (heat& damp)

——Temperature: -55℃~+125℃

——Relative humidity: 95% at 40℃

——Vibration: frequency 10~2000Hz, acceleration 254m/s²

——Shock: acceleration 980m/s²

——Endurance: 1000 cycles

Ordering information

[L31 series]

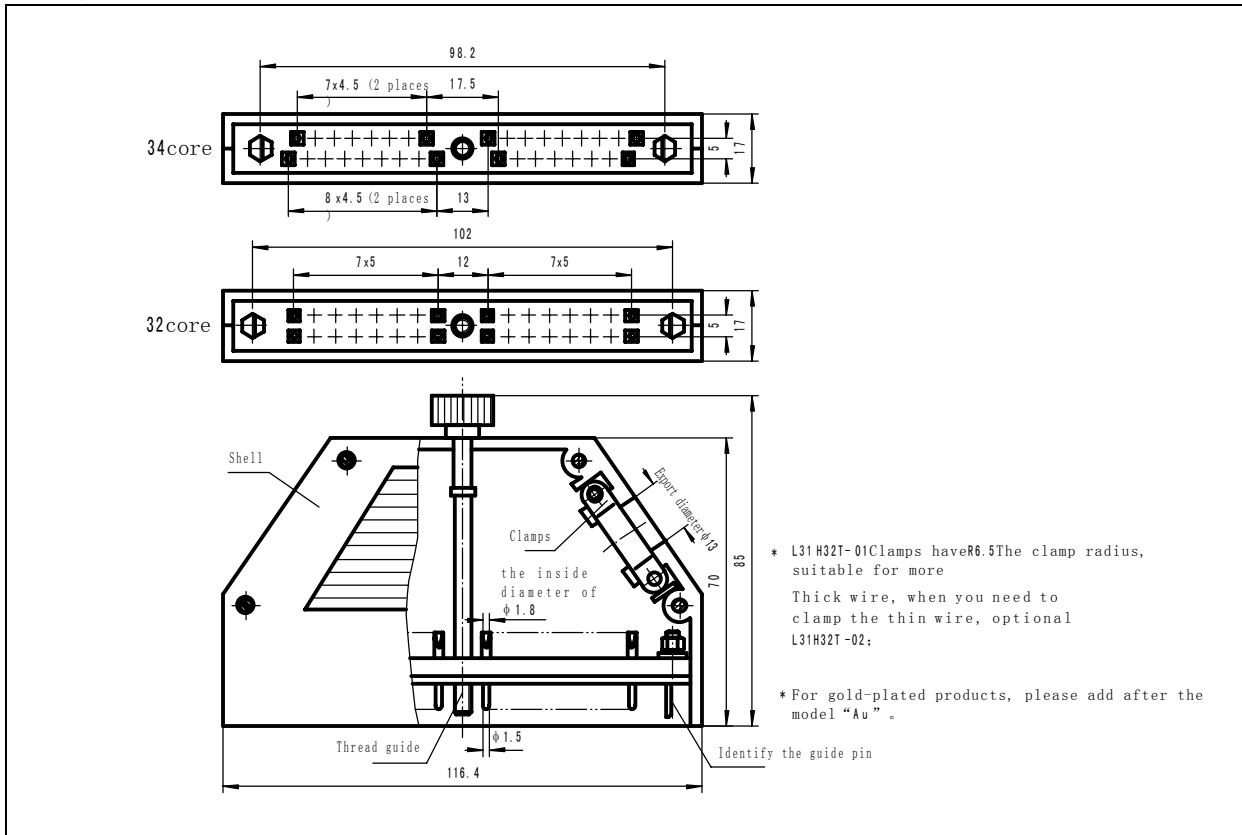
Basic series	L31	H	32	T	-01
Termination	H—Solder; Y—Crimp (only for 36 contacts) B—Straight PCB solder; BW—Right angle PCB				
Contact No.	solder 32, 34, 36 (36 is applicable to VL31)				
Connector type	T—Plug; Z—Receptacle				
Modification marking	-01, -02 (see the specific P/N)				

[VL31

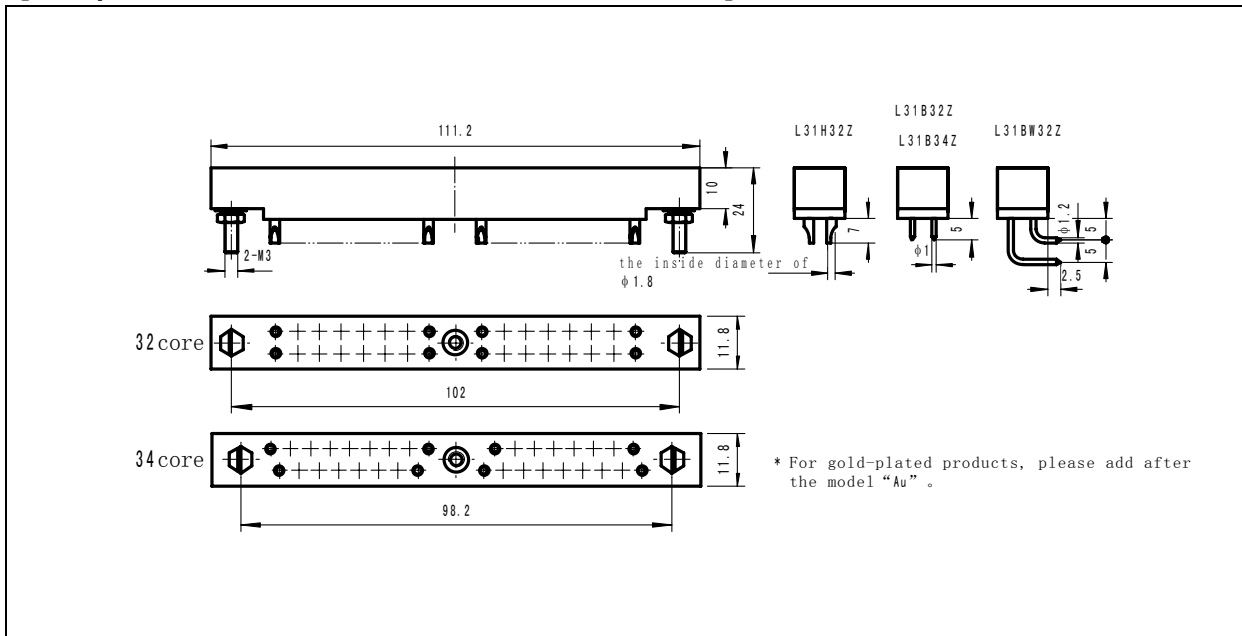
series] Basic	VL31	J	56	T	Y	-03
Contact type	J—Pin; K—Socket					
Contact No.	56					
Connector type	T—Plug ; Z—Receptacle					
Termination	Y—Crimped					
Modification	-03					

Outline dimension

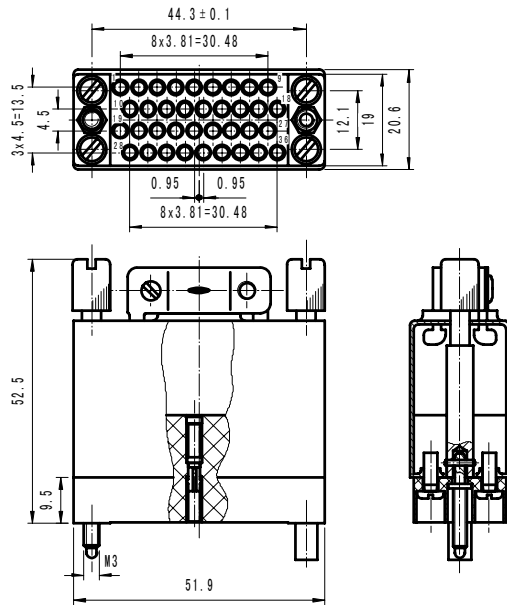
[Plug L31H32T-01, L31H34T]



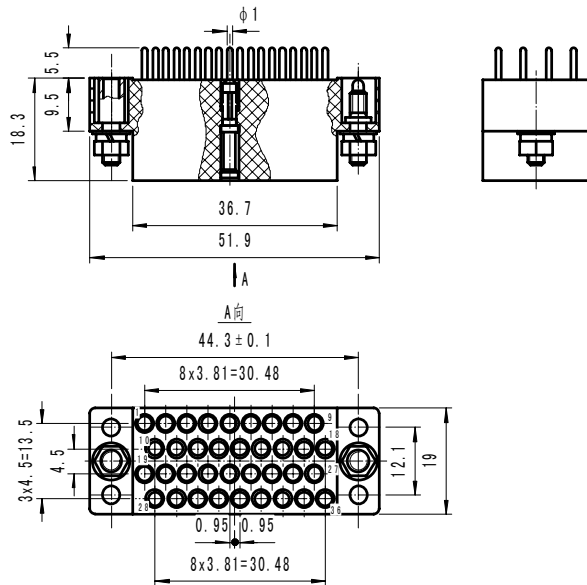
[Receptacle L31H32Z, L31B32Z, L31BW32Z, L31B34Z]



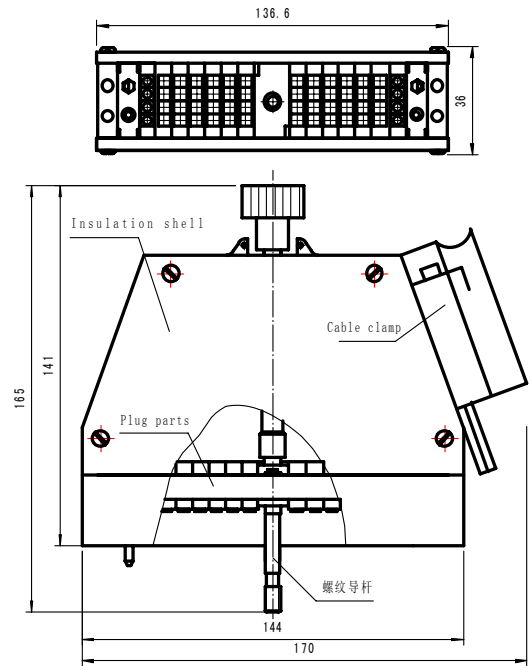
Plug VL31Y36T



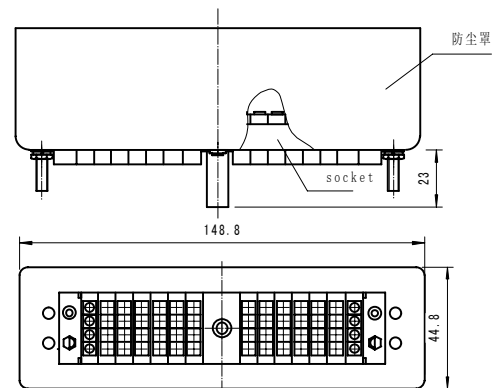
Receptacle VL31Y36Z



● Plug VL31K56TY-03 A001



● Receptacle VL31J56ZY-03 A001



The diameter of contact is $\phi 1.0$. The contact should be ordered separately. For meeting the customer's requirement on the cross section, the socket has three sizes:

	Pin A Socket A	Pin B Socket B	Pin C Socket C
O. D. of barrel	$\phi 2.1$	$\phi 2.8$	$\phi 2.8$
I. D. of barrel	$\phi 1.0$	$\phi 1.4$	$\phi 1.8$
Cross section	0.2~0.5	0.75~1.0	1.2~1.5
O. D. of wire	$\phi 1.4 \sim \phi 2.1$	$\phi 1.8 \sim \phi 2.6$	$\phi 1.8 \sim \phi 2.6$

Ordering P/N of pin	Inner diameter of barrel	Outer diameter of barrel
21E6-570-1851-L17	1.3	2.5
21E6-570-2505-L17	1.9	2.75
21E6-570-2506-L17	2.5	3.2
Ordering P/N of socket	Inner diameter of barrel	Outer diameter of barrel
21E6-571-3396-L17	1.3	2.5
21E6-571-4598-L17	1.9	2.75
21E6-571-4599-L17	2.5	3.2