

IOD Series

Description

- High density and small size
- Straight mating & thread coupling
- Solder termination
- Interchangeable with Russia PC electrical connectors (comply with AB0.364.047 TY)
- Enterprise standard Q/21EJ171

Main technical characteristic

- Contact size: $\phi 1\text{mm}$
- Temperature: $-55^{\circ}\text{C} \sim +125^{\circ}\text{C}$
- Operating voltage: 200V
- Contact resistance: $\leq 0.005\Omega$
- Endurance: 300 cycles
- Vibration: 10~2000Hz, acceleration 147m/s^2
- Shock: 490m/s^2
- Lateral acceleration: 490m/s^2
- Salt spray: 96h

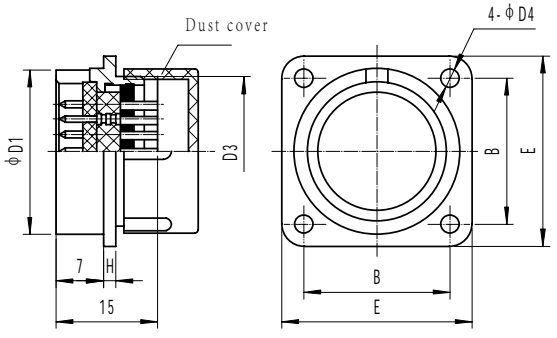
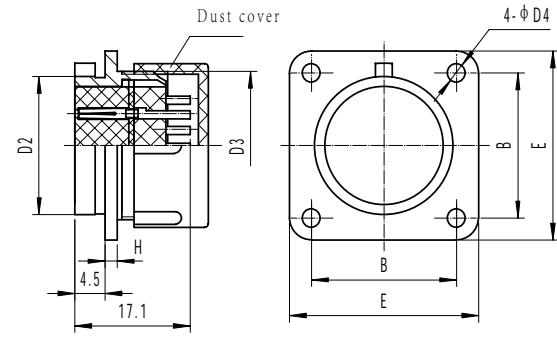
Operation condition	Rated voltage (V)	Withstanding voltage AC (V)	Insulation resistance (M Ω)
Normal	200	1000	≥ 1000
Damp heat	200	500	≥ 50

Ordering information

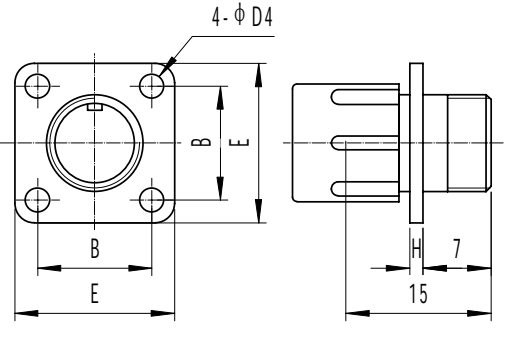
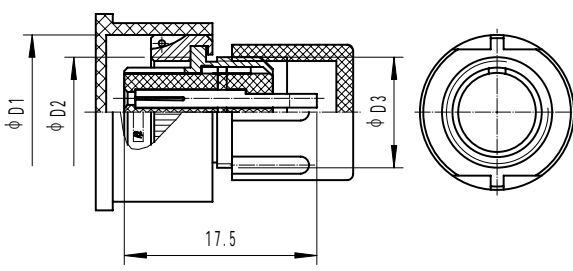
Basic series	IOD		14	H	J	10	Z	L	P
Shell size	10-12-14-18-22-27								
Termination	H-solder								
Contact plating	(Blank) silver plating J-gold plating								
Contact No.	4, 7, 10, 19, 32, 50								
Connector type	T-Plug Z-Receptacle								
Coupling	(Blank) Straight mating L Thread coupling								
Shell plating	P- Zinc plating, iridescence (conductive plating) P ₁ - Nickel plating (conductive plating) Blank- Sulfuric acid, anodized, chromate sealed treatment (Non-conductive plating)								

Outline dimensions

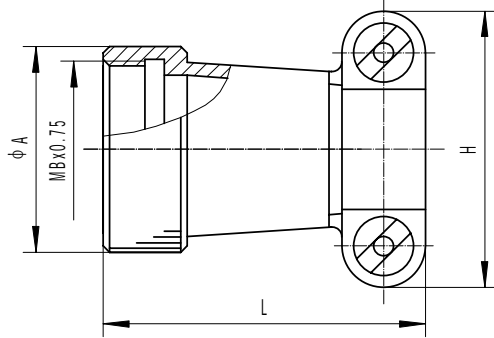
[Straight mating electrical connector]

Plug				Receptacle			
							
Shell size	H	B	E	D1	D2	D3	D4
10	1.4	11.8	16.5	11.5	9	M10×0.75	2.2
12	1.4	13.2	18	14	11	M12×0.75	2.2
14	1.4	15	20	16	13	M14×0.75	2.2
18	1.4	18	24	20	16.5	M18×0.75	2.2
22	1.8	21.5	28	24.5	20.2	M22×0.75	2.7
27	2	26	33	30	24.7	M27×0.75	3.2

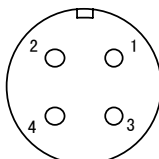
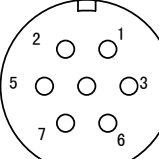
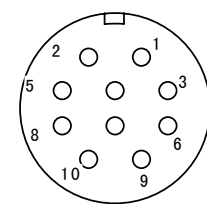
[Thread coupling connector]

Plug				Receptacle			
							
Shell size	H	B	E	D1	D2	D3	D4
10	1.4	11.8	16.5	14.2	M10×0.75	M10×0.75	2.2
12	1.4	13.2	18	16.5	M12×0.75	M12×0.75	2.2
14	1.4	15	20	18	M14×0.75	M14×0.75	2.2
18	1.4	18	24	22.5	M18×1	M18×0.75	2.2
22	1.8	21.5	28	26	M22×1	M22×0.75	2.7
27	2	26	33	31	M27×1	M27×0.75	3.2

[Back shell IOD-FJ]

	P/N	L	A	B	H
	IO10FJ-5	19	12.5	10	16
	IOD12FJ	23.5	14.5	12	16
	IOD14FJ	26.5	16.5	14	22
	IOD18FJ	28.5	20.5	18	22
	IOD22FJ	30.5	24.5	22	27
	IOD27FJ	32.5	30	27	27

Insert arrangement (Front face of pin inserts)

IOD10-4	IOD12-7	IOD14-10
		
IOD18-19	IOD22-32	IOD27-50
