

## ILD822 Series (MIL-DTL-5015 Series) Circular bayonet connectors

### Description:

- Comply with ILD822 (MIL-DTL-5015) standard
- Quick bayonet coupling
- Silver plated contacts
- Type of termination is soldering
- Widely applied in aerospace, aviation, military and industry systems
- Enterprise standard: Q/21EJ351

### Main technical characteristics

—Operating temperature: -55~+125°C

—Contact resistance and current rating:

Contact size	Current rating (A)	Contact resistance (mΩ)
16 <sup>#</sup>	13	≤3.77
12 <sup>#</sup>	23	≤1.8
8 <sup>#</sup>	46	≤0.56
4 <sup>#</sup>	80	≤0.28

—Insulating resistance: ≥5000MΩ

—Salt spray: 48h

—Vibration: 10~2000Hz, 147m/s<sup>2</sup>

Designation (Olive green cadmium plating)

ILD 3100   A   -   18   -   16   P   Y  
 1   2   3   4   5   6   7   8

- 1、 Basic series: ILD—bayonet coupling connector
- 2、 Shell type: 3100—wall-through mounting receptacle  
3106—straight plug
- 3、 Type: A—one-piece shell
- 4、 Material code: blank means aluminum alloy
- 5、 Shell size: 10SL-14S-16S-18-20-22-24-28
- 6、 Insert arrangement: See “Insert arrangement”
- 7、 Contact: P-pin; S-socket
- 8、 Polarization: N—normal, W/X/Y/Z—alternative

—Shock: 490m/s<sup>2</sup>

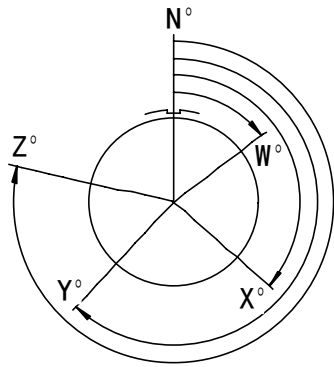
—Endurance: 500 cycles

—Withstanding voltage:

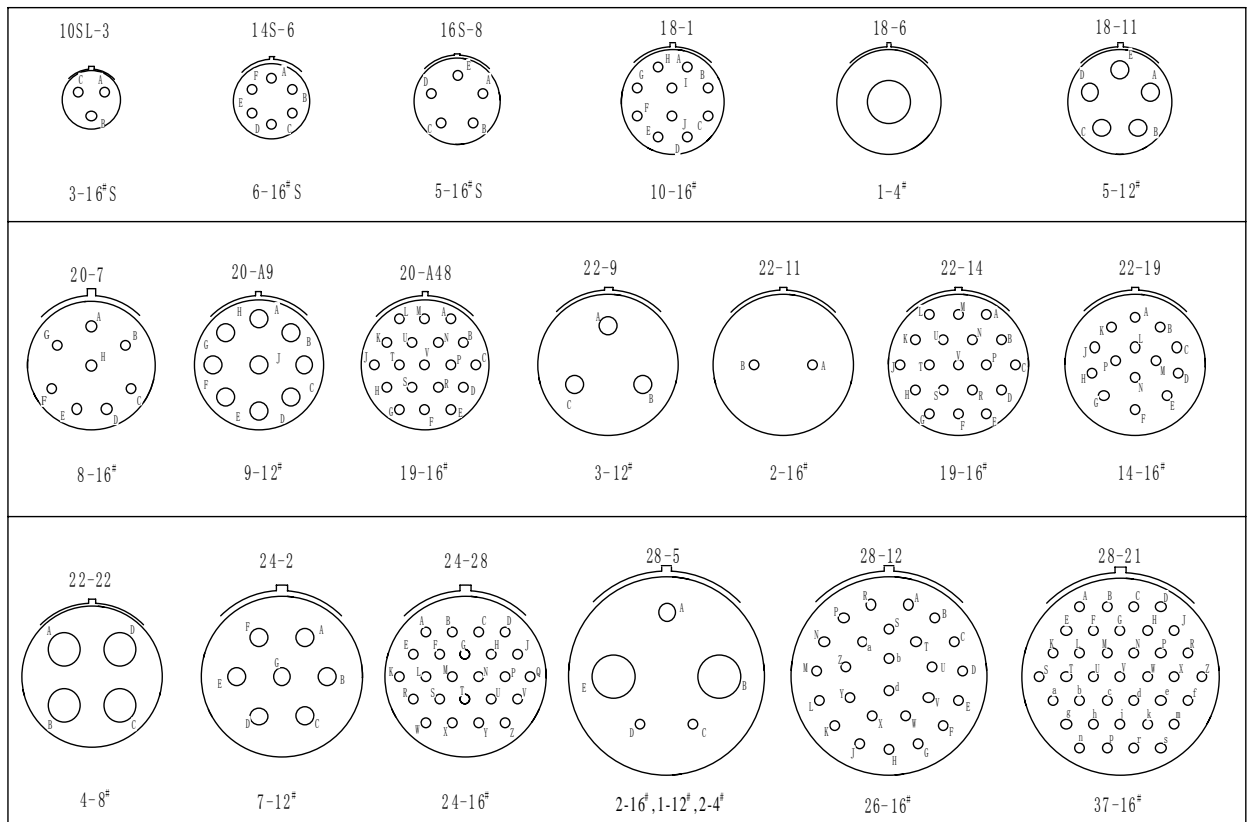
Service rating	Test voltage V rms	
	Sea level	21336m
Instrument	1000	260
A	2000	360
D	2800	400
E	3500	440
B	4500	480
C	7000	560

### Polarization degrees (insert rotating in the shell)

Insert arrangement	Polarization degree			
	W	X	Y	Z
10SL-3	—	—	—	—
14S-6	—	—	—	—
16S-8	—	170°	265°	—
18-1	70°	145°	215°	290°
18-6	—	—	—	—
18-11	—	170°	200°	—
20-7	80°	110°	250°	280°
20-A9	—	—	—	—
20-A48	—	—	—	—
22-9	70°	145°	215°	290°
22-11	35°	110°	250°	325°
22-14	80°	—	—	280°
22-19	80°	110°	250°	280°
22-22	—	110°	250°	—
24-2	80°	—	—	280°
24-28	80°	110°	250°	280°
28-5	35°	110°	250°	325°
28-12	90°	180°	270°	—
28-21	80°	110°	250°	280°
N is normal and the degree is 0°				



- ILD822 series Insert arrangement (mating view of insulator with pin)

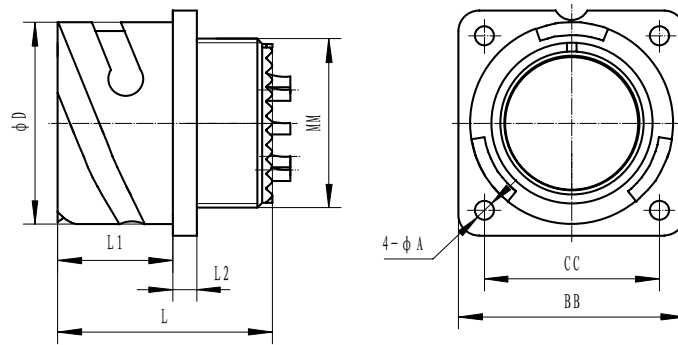


## Outline dimensions

[Straight plug ILD3106]

Shell size	φD	φD1	φD2	L	MM
10SL	22	11.5	25	27	0.625-24UNEF
14S	28.2	17	31.4	27	0.750-20UNEF
16S	31.1	20.2	34	27	0.875-20UNEF
18	35.2	23.4	37.5	36	1.000-20UNEF
20	38.4	26.5	41	36	1.125-18UNEF
22	41.8	29.7	44	36	1.250-18UNEF
24	45.3	33	47.5	36	1.375-18UNEF
28	51	38.4	54.5	36	1.625-18UNEF

[Box mounting receptacle ILD3100]



Shell size	$\phi A$	BB	CC	$\phi D$	MM	L	L1	L2
10SL	3.2	25.4	18.2	18.2	0.625-24UNEF	27	14.4	3
14S	3.2	30	23	24.6	0.750-20UNEF	27	14.4	3.4
16S	3.2	32.5	24.6	27.4	0.875-20UNEF	27	14.4	3.4
18	3.2	35	27	30.8	1.000-20UNEF	36	19.2	4.2
20	3.2	38	29.4	34.2	1.125-18UNEF	36	19.2	4.2
22	3.2	41	31.8	37.4	1.250-18UNEF	36	19.2	4.2
24	3.7	44.5	34.9	40.9	1.375-18UNEF	36	20.8	4.2
28	3.7	50.8	39.7	46.7	1.625-18UNEF	36	20.8	4.2