

## Sealing caps for plug and receptacle

[Designation]

**Basic series** L711/ 32 F 09 N

**Type** 32—plug sealing cap (Mil P/N: D38999/32)  
33—receptacle sealing cap (Mil P/N:D38999/33)

### Surface treatment

- W—Aluminum alloy shell with olive green cadmium plating
- F—Aluminum alloy shell with electroless nickel plating
- K—Stainless steel shell with passive
- J—composite shell with cadmium plating
- M— composite shell with electroless nickel plating

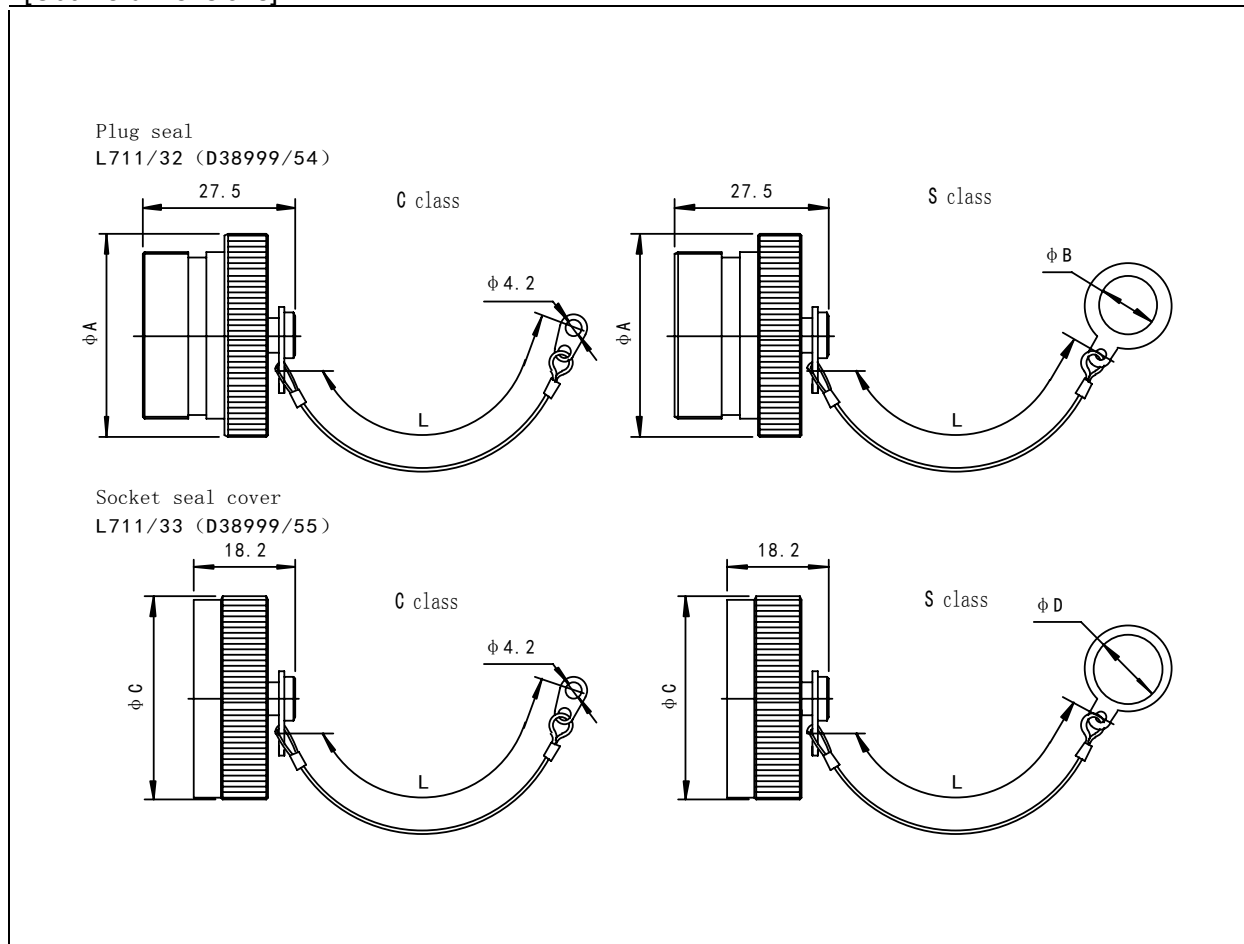
**Shell size** 09-11-13-15-17-19-21-23-25

### Chain type

- R—stainless steel wire rope with connecting lug (applicable for square flange receptacle)
- C—brocaded silk rope with connecting lug (applicable for square flange receptacle)
- N- stainless steel wire rope with ring (applicable for jam nut receptacle)
- S- brocaded silk rope with ring (applicable for jam nut receptacle)

Note: sealing cap must be ordered separately and not supplied with the connectors.

[Outline dimensions]



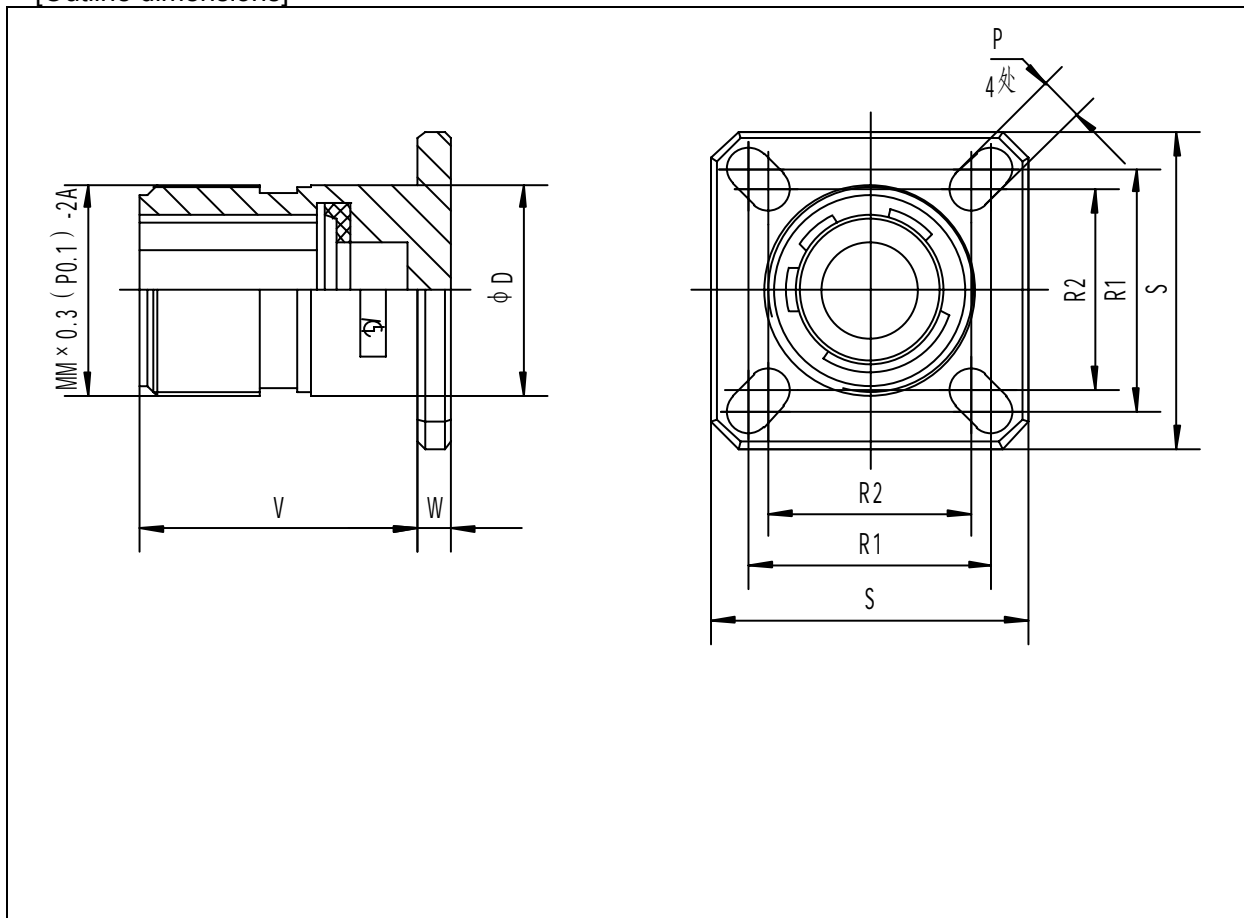
Shell size		09	11	13	15	17	19	21	23	25
<b>A</b>	max	22.86	25.40	30.48	33.02	36.83	39.37	43.18	44.45	48.26
<b>B</b>	min	12.92	17.78	19.27	22.60	25.62	28.95	31.97	34.03	38.32
<b>C</b>	max	22.86	27.86	30.48	31.75	36.83	38.10	41.91	44.45	48.26
<b>D</b>	min	17.78	21.33	25.62	28.95	31.97	35.30	38.32	41.65	44.45
<b>L</b>	max	127.00	127.00	127.00	127.00	127.00	127.00	127.00	127.00	127.00

## Receptacle

[Designation]

<b>Basic series</b>	<b>L711/</b>	<b>22</b>	<b>A</b>	<b>W</b>
<b>Type</b>	22-receptacle			
<b>Shell size</b>	A-B-C-D-E-F-G-H-J			
<b>Surface treatment</b>				
W—Aluminum alloy shell with olive green cadmium plating				
F—Aluminum alloy shell with electroless nickel plating				
K—Stainless steel shell with passive				
J-composite shell with cadmium plating				
M- composite shell with electroless nickel plating				

[Outline dimensions]



Shell size	MM	D	V	W	R2	R1	S	P
A	0.625	15.88	20.83	2.5	15.09	18.26	23.8	3.25
B	0.75	19.05	20.83	2.5	18.26	20.62	26.2	3.25
C	0.875	22.23	20.83	2.5	20.62	23.01	28.6	3.25
D	1.000	25.4	20.83	2.5	23.01	24.61	31	3.25
E	1.1875	30.14	20.83	2.5	24.61	26.97	33.3	3.25
F	1.25	31.8	20.83	2.5	26.97	29.36	36.5	3.25
G	1.375	34.73	20.07	3.2	29.36	31.75	39.7	3.25
H	1.5	38.1	20.07	3.2	31.75	34.93	42.9	3.91
J	1.625	41.2	20.07	3.2	38.1	38.1	46	3.91