

IAB54 Series Optic Connector

Product brief introduction

- Composite shell with ruggedization
- Bulkhead sealing coupling configuration, connecting 2, 4 or 6-fiber at one time
- Neutral mechanism, plug and receptacle randomly mating
- Ceramic ferrule and sleeve, PC, UPC polishing

Applications

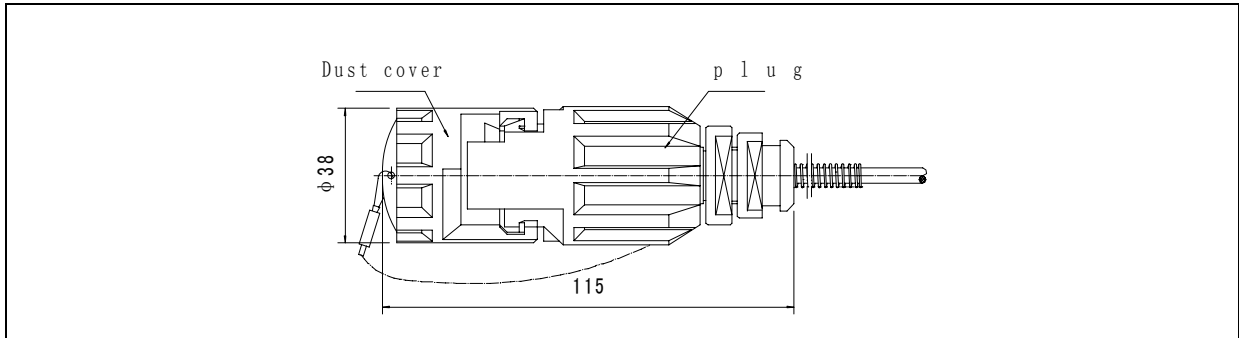
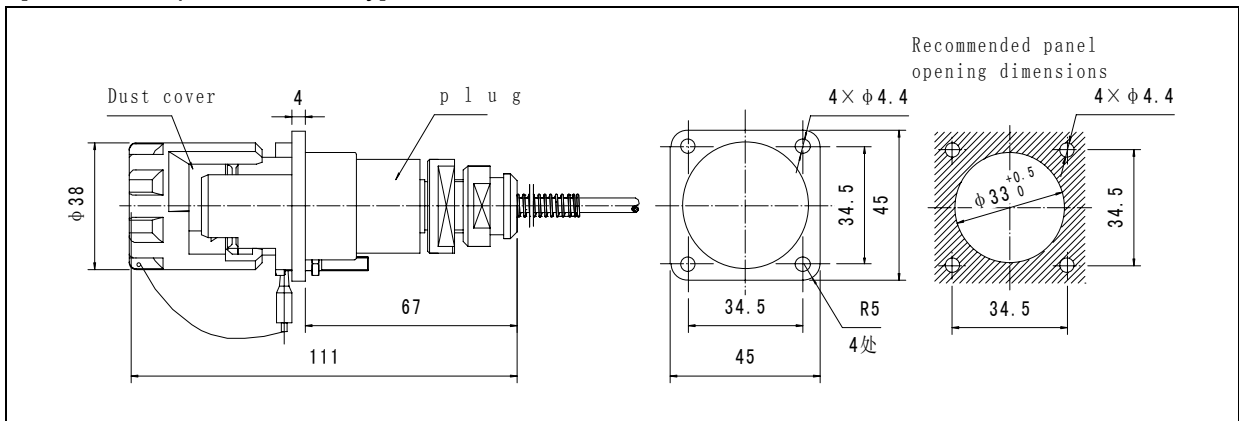
- Optical fiber military communication networks
- Military computer networks
- Vehicle, air-borne or carrier-borne equipments

Performances

Parameter	SM			MM		
	2-pole	4-pole	6-pole	2-pole	4-pole	6-pole
Insertion loss (dB)	≤0.6	≤0.8	≤1.0	≤0.6	≤0.8	≤1.0
Repeatability (dB)	≤0.2					
Vibration	10~500Hz, acceleration 98m/s ²					
Shock	980m/s ²					
Durability (cycles)	1000					
Operation temperature (°C)	-40~+70					
Note: 1) Insertion loss is only for the plug and cable itself is counted additionally (SM 0.4dB/km@1310nm , MM50/125 0.8dB/km@1300nm , MM62.5/125 1dB/km@1300nm) ; 2) Insertion loss of adapter≤0.3 dB; 3) if the product is used at 1550 nm, make special requirement in the order.						

Note:

Composite optic cable connectors with neutral mechanism are multi-fiber optic cable connectors per ILD1919. The product uses composite shell with ruggedization and light weight. Plug and receptacle can mate randomly. Presently this series have 3 types of 2-pole, 4-pole and 6-pole. Connectors with the same number of contacts are intermateable. Such as, IAB54F2, IAB54F2A, IAB54F2C, IAB54T2, IAB54T2A, IAB54T2C. 2-Pole connectors are intermateable.

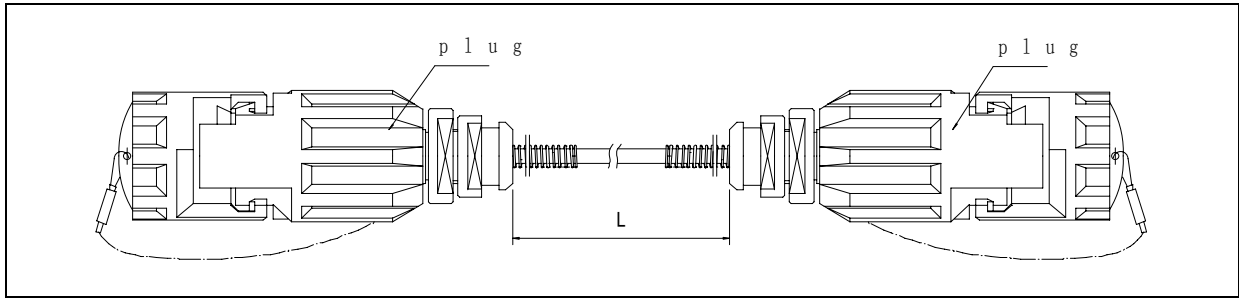
[IAB54 Plug Assembly]

[IAB54 Receptacle Assembly]

[Applicable cable]

P/N	IAB54F2 IAB54T2	IAB54F2A IAB54T2A	IAB54F4A IAB54T4A	IAB54F2C IAB54T2C	IAB54F6 IAB54T6	IAB54F4C IAB54T4C	IAB54F6C IAB54T6C
Optic cable feature	C5*2	C5*2	C5*4	C5*2	C6*6	C6.5*4	C6.5*6
Applicable cable OD (mm)	φ5 2-Pole field operation optic cable		φ5 4-Pole field operation optic cable	φ5 2-Pole armored field operation optic cable	φ6 6-Pole field operation optic cable	φ6.5 4-Pole armored field operation optic cable	φ6.5 6-Pole armored field operation optic cable
Rear protection ways	Rubber jacket	Metallic spring					

[Ordering P/N]

Basic series	IAB54	T	2	C
Configuration type	T—Plug F—square flange receptacle			
Number of contacts	Product lightway numbers, 2, 4 and 6 poles product			
Design number	A, B, C			

[IAB54 Neutral optic cable connector (outside the vehicle)]



Note: L IS PROVIDED PER USER'S REQUIREMENT

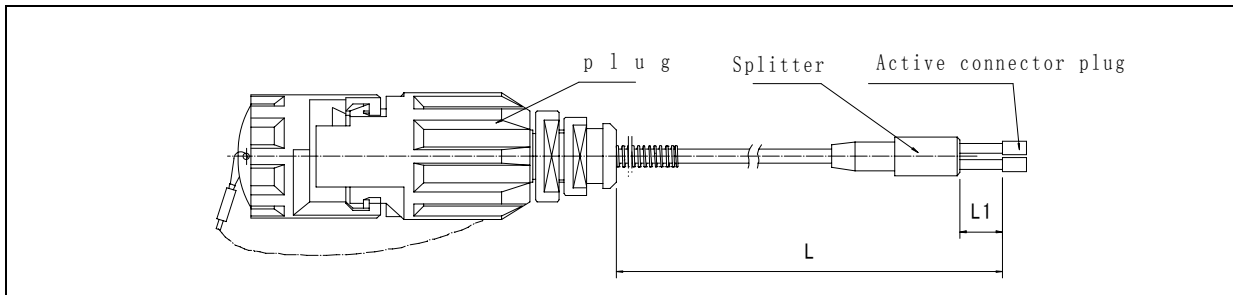
[Ordering P/N]

Plug type at end 1	IAB54T2A	-IAB54T2A	-C5*2	- S	5
Plug type at end 2	Plug type is provided per user requirement				
Optic cable feature	See "Applicable optic cable"				
Transmission mode	S: SM G. 652 M: MM 62.5/125 MI: MM 50/125				
Cable length L	Unit: m				

P/N example: IAB54T2A-IAB54T2A-C5*2-S5

Explanation: IAB54T2A Plug at Plug End 1 and IAB54T2A Plug at End 2. Cable is $\phi 5$ 2-Pole SM field operation cable. Cable length is 5m.

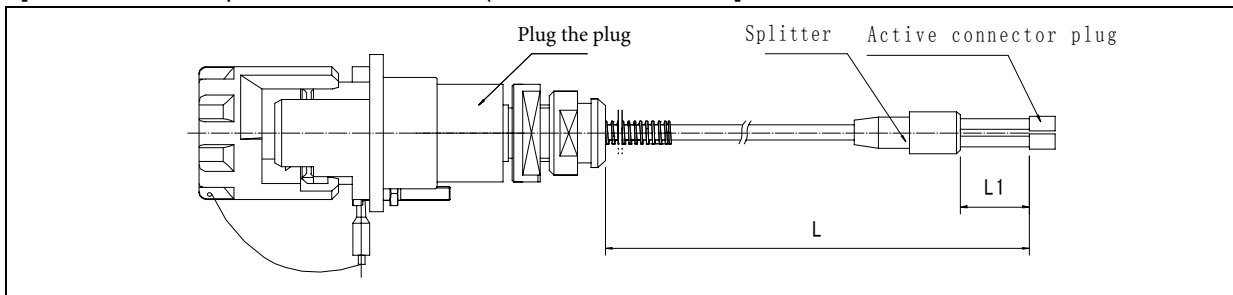
[IAB54 Neutral optic cable connector]



Note: 1) Plug can be anyone in SC, FC, ST.

2) L AND L1 ARE PROVIDED PER USER'S REQUIREMENT. .

[IAB54 Neutral optic cable connector (inside the vehicle)]



Note: 1) Plug can be anyone in SC, FC, ST.

2) L AND L1 ARE PROVIDED PER USER'S REQUIREMENT. .

[Ordering P/N]

Plug type at end 1	IAB54T2A	-2FC	-C5*2	-2	S	5	/0.3
Plug type and amount at end 2	Plug type is provided per user requirement						
Optic cable feature	See "Applicable optic cable"						
Branch Cable diameter	Unit: mm						
Cable Transmission mode	S: SM G. 652 M: MM 62.5/125 MI: MM 50/125						
Cable length L	Unit: m						
Branch Cable length L1	Unit: m						

P/N example : IAB54T6C-6FC-C6.5*6-3M20/0.5

Explanation : IAB54T6C Plug at Plug End 1 and 6 FC Plugs at End 2. Cable is $\phi 6.5$ 6-Pole MM (62.5/125) armored field operation cable. Cable length is 20m; branch cable diameter is $\phi 3$, Branch Cable length is 0.5m.