

FKP Series Optical Connector & Adapter

Product brief introduction

- Standard metallic parts with excellent interchangeability
- Small size and miniaturized design
- Ceramic ferrule, PC, UPC & APC polishing
- Low insertion Loss and high return Loss
- Available to OFNR cable or LSZH cable
- Cable OD: $\phi 0.9$, $\phi 2$, $\phi 3$
- Raw material meeting EU RoHS
- Standard: DIN47256, IEC 874-6

Applications

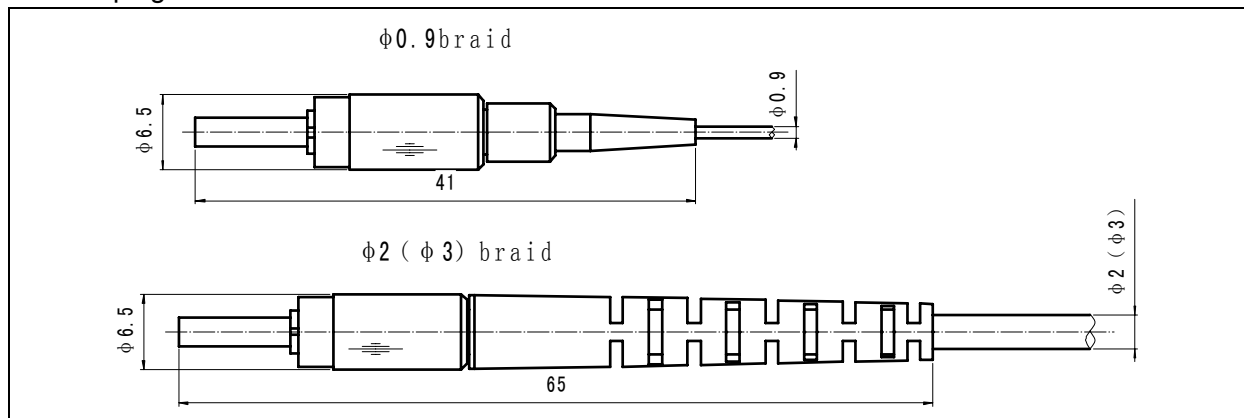
- Optical fiber communication network
- Optical CATV
- Optical LAN
- Instruments and meters

Performances

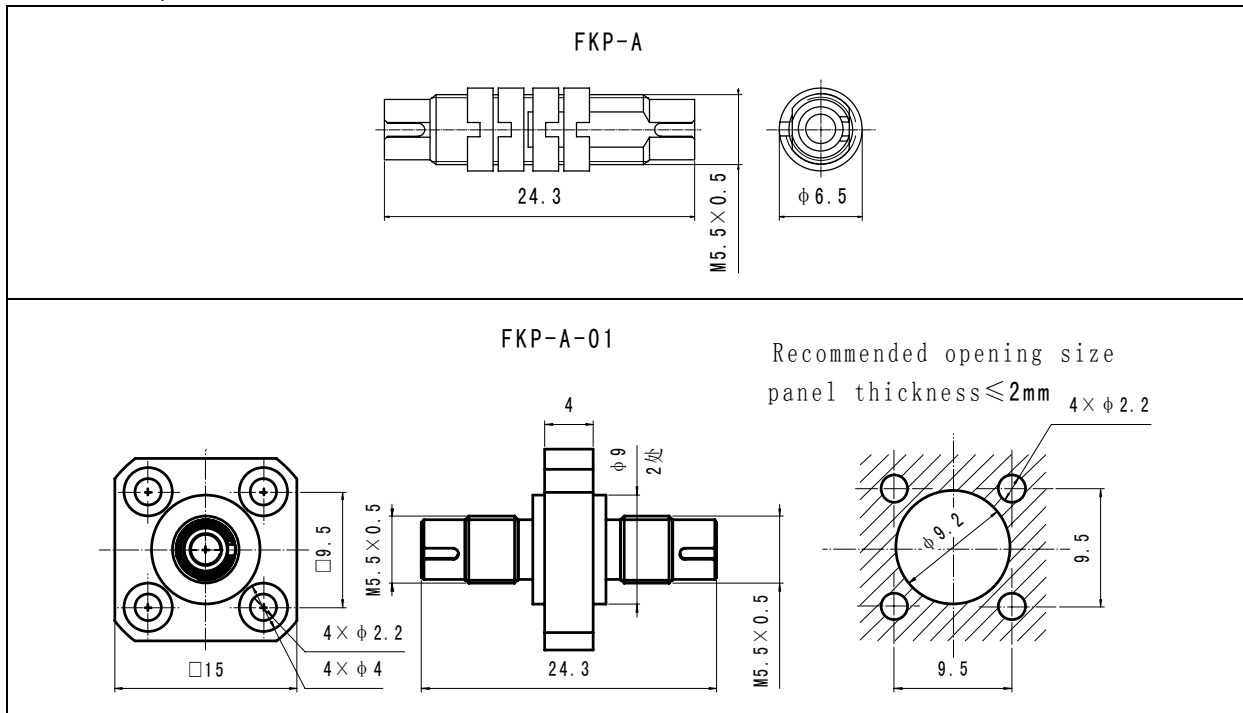
Parameters	Type	PC		UPC	APC	Adapter
		SM	MM			
Insertion Loss (dB)		≤ 0.3	≤ 0.2	≤ 0.3	≤ 0.3	≤ 0.1
Return Loss (dB)		≥ 45	≥ 35	≥ 50	≥ 60	/
Repeatability (dB)		≤ 0.2				/
Durability (cycles)		≥ 1000				≥ 1000
Operating Temperature ($^{\circ}\text{C}$)		$-40 \sim +80$				$-40 \sim +80$
Humidity		Temperature: $(+40 \pm 2)^{\circ}\text{C}$; RH: 90%~95%				
Tensile strength		> 50 (NOT REQUIRED FOR $\phi 0.9$ PRODUCT)				/

Outline dimensions

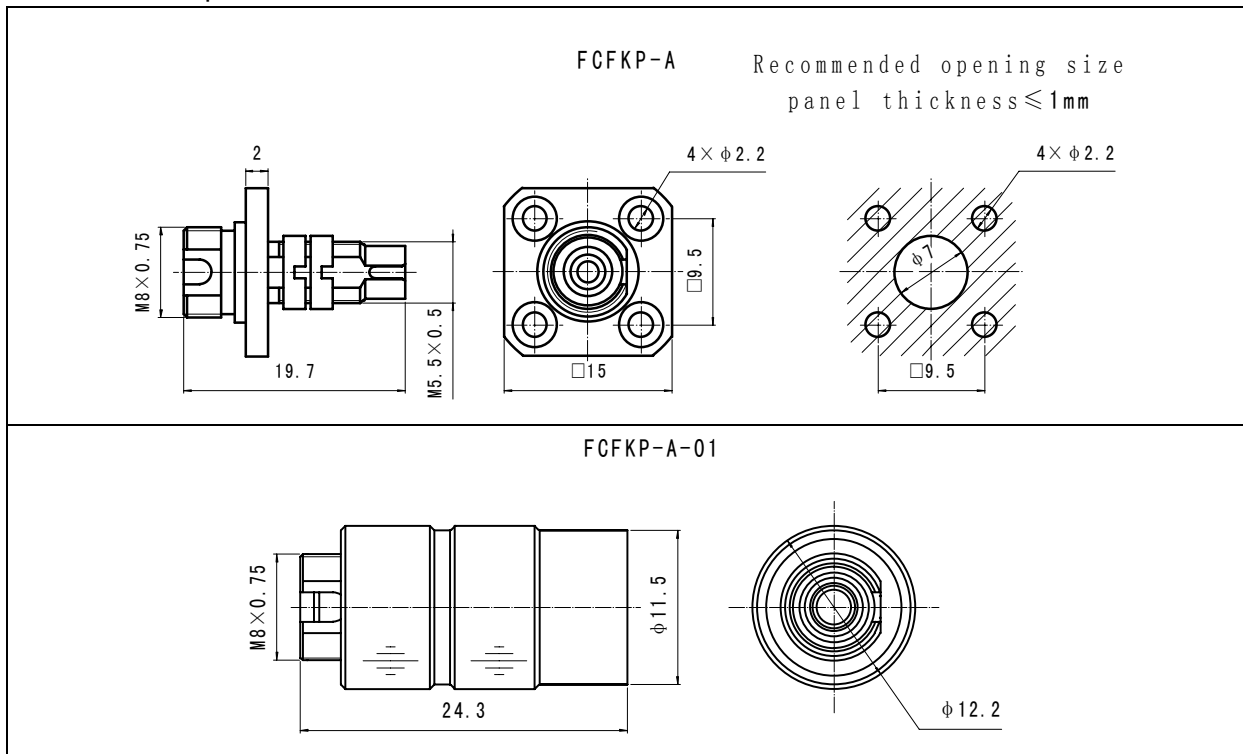
[FKP plug]

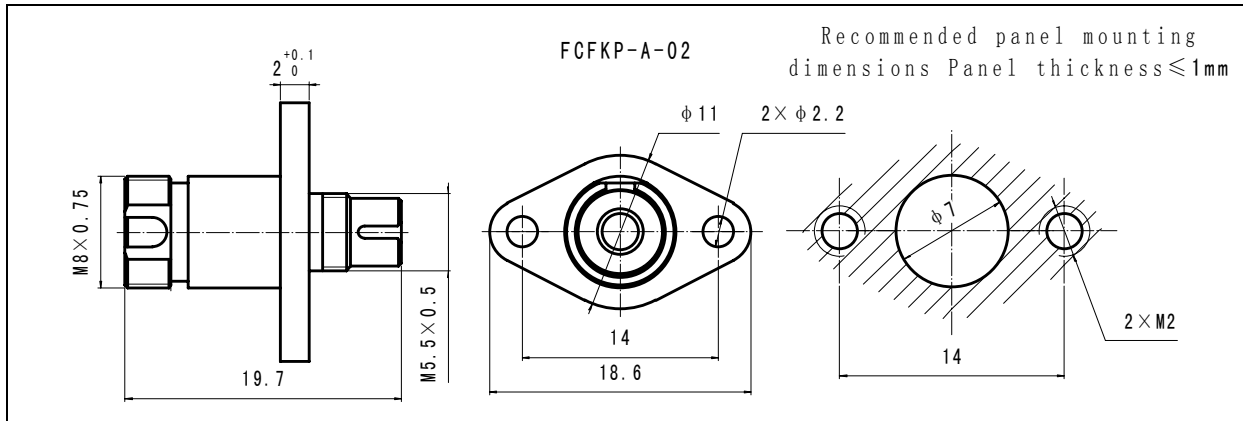


[FKP Adapter]



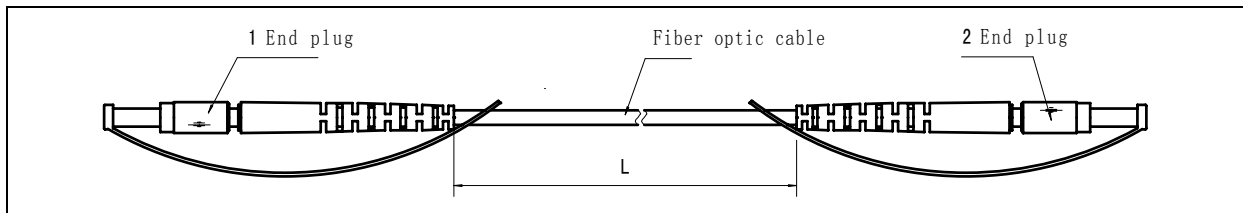
[FC-FKP adapter]





Ordering information

[FKP-S3-L]



[Designation]

Basic series		FKP	-FKP	-S	3	-L	5
Amount and types of plugs at end 1	Amount: omitted for 1 Type: such as FC and FKP, Or according to customer's requirements						
Amount and types of plugs at end 2	Amount: omitted for 1 Type: such as FC and FKP, Or according to customer's requirements						
Transmission mode	S—SM 9/125 M—MM 62.5/125 MI—MM 50/125 MIV—MM 50/125 (OM3)						
Optic fiber dia.	0.9-Φ0.9mm, 2-Φ2mm, 3-Φ3mm						
Optic fiber length mark	L						
Optic fiber length	Unit: m						

Example 1: FC-FKP-S3-L15

Explanation: FC/PC plug at end 1, FKP/PC plug at end 2; optic fiber Transmission mode is S (G652 standard SM optic fiber), Φ3 optic fiber and cable length is 15m